

US00D563107S

(12) **United States Design Patent**  
**Folden**

(10) **Patent No.:** **US D563,107 S**  
(45) **Date of Patent:** **\*\* Mar. 4, 2008**

(54) **POOL CLEANING BRUSH**

(76) Inventor: **Gary G. Folden**, 605 Palm Dr., Largo,  
FL (US) 33770

(\*\*) Term: **14 Years**

(21) Appl. No.: **29/280,302**

(22) Filed: **May 23, 2007**

(51) **LOC (8) Cl.** ..... **04-01**

(52) **U.S. Cl.** ..... **D4/116; D4/132**

(58) **Field of Classification Search** ..... D4/116,  
D4/132, 135, 199; 15/1.7, 159.1, 160, 176.1,  
15/176.6, 186, 187; D32/35, 50, 51; 210/167.1,  
210/167.19

See application file for complete search history.

(56) **References Cited**

**U.S. PATENT DOCUMENTS**

4,369,109	A *	1/1983	Edge	.....	210/167.19
4,724,566	A *	2/1988	Fawcett	.....	15/1.7
4,783,868	A *	11/1988	O'Callaghan	.....	15/1.7
D302,059	S *	7/1989	Sanders	.....	D32/51
D351,948	S *	11/1994	Getchell	.....	D4/132
D445,572	S *	7/2001	Rowell et al.	.....	D4/133
D460,625	S *	7/2002	Wright	.....	D4/116
2004/0060129	A1 *	4/2004	Juett	.....	15/1.7

\* cited by examiner

*Primary Examiner*—Cathron Brooks  
*Assistant Examiner*—Lavone D. Tabor

(74) *Attorney, Agent, or Firm*—Larson & Larson; Herbert  
W. Larson

(57) **CLAIM**

I claim the ornamental design for a pool cleaning brush, as  
shown and described.

**DESCRIPTION**

FIG. 1 is a front elevational view of the pool cleaning brush  
showing my new design.

FIG. 2 is a rear elevational view thereof.

FIG. 3 is a left side elevational view thereof.

FIG. 4 is a right side elevational view thereof.

FIG. 5 is a top plan view thereof, the faint broken lines  
showing environmental association matter being for illus-  
trative purposes only and forming no part of the claimed  
design; and,

FIG. 6 is a bottom plan view thereof.

The bristles, which are partially shown for ease of illus-  
tration, are understood to continue uniformly along the entire  
bottom surface of the brush head. The cross hatching shown  
in FIGS. 5 and 6 is understood to represent a conventional  
mesh material that continues throughout the areas indicated.

**1 Claim, 3 Drawing Sheets**

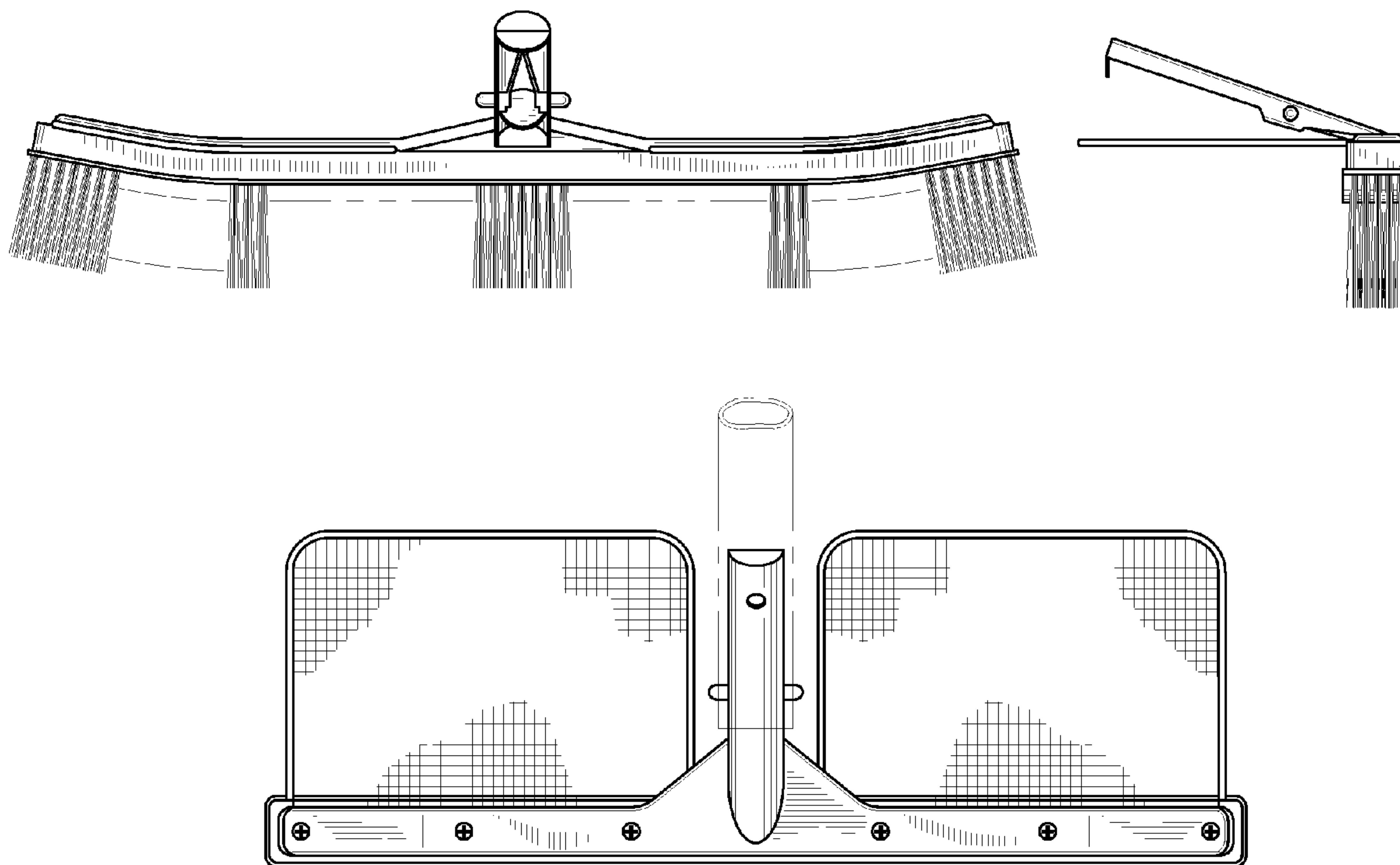


Fig. 1

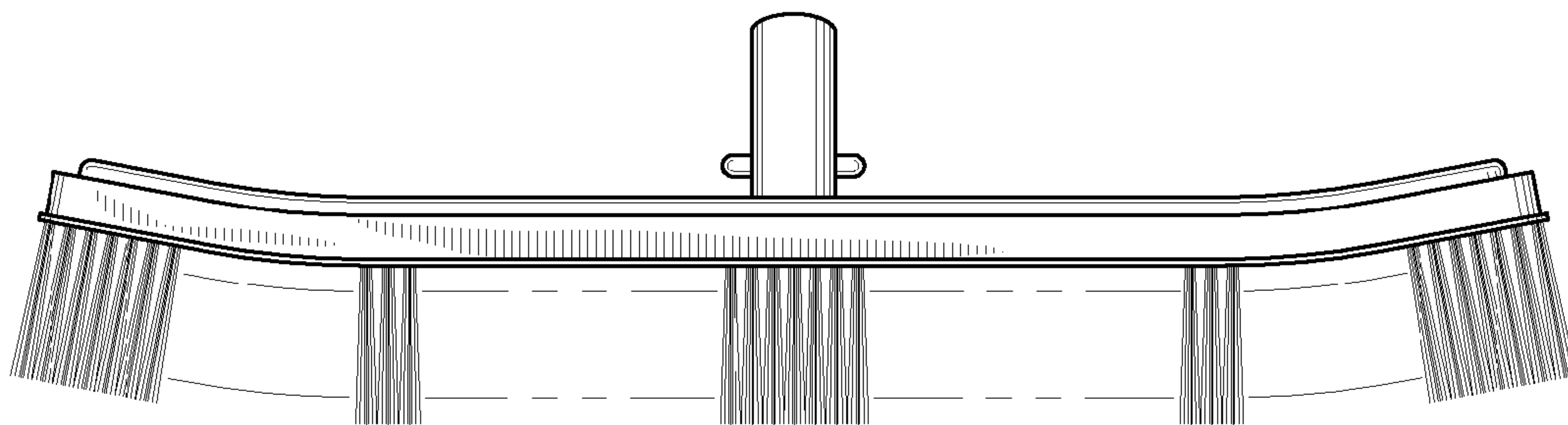


Fig. 2

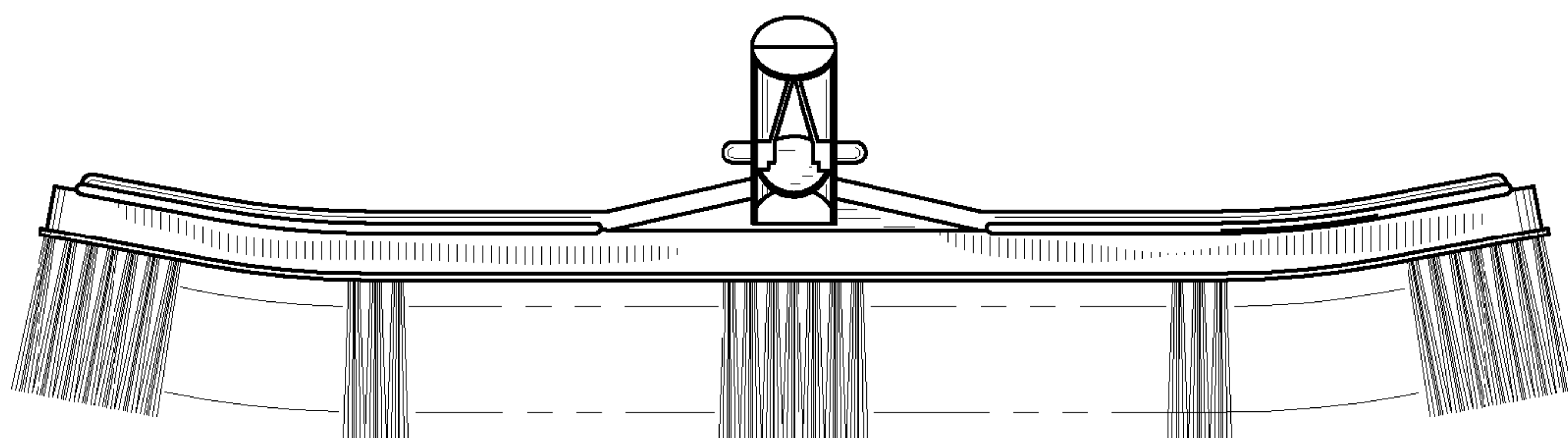


Fig. 3

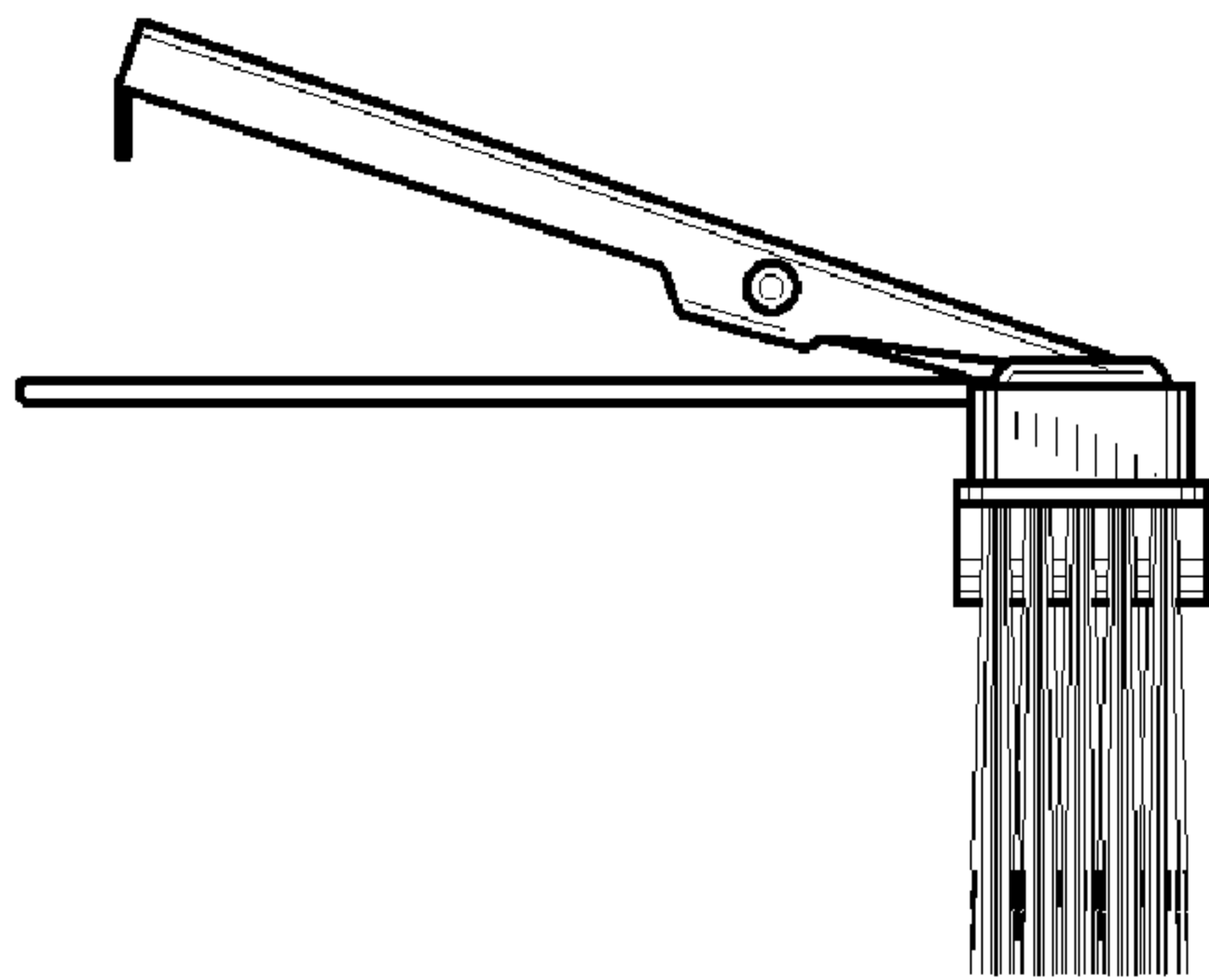


Fig. 4

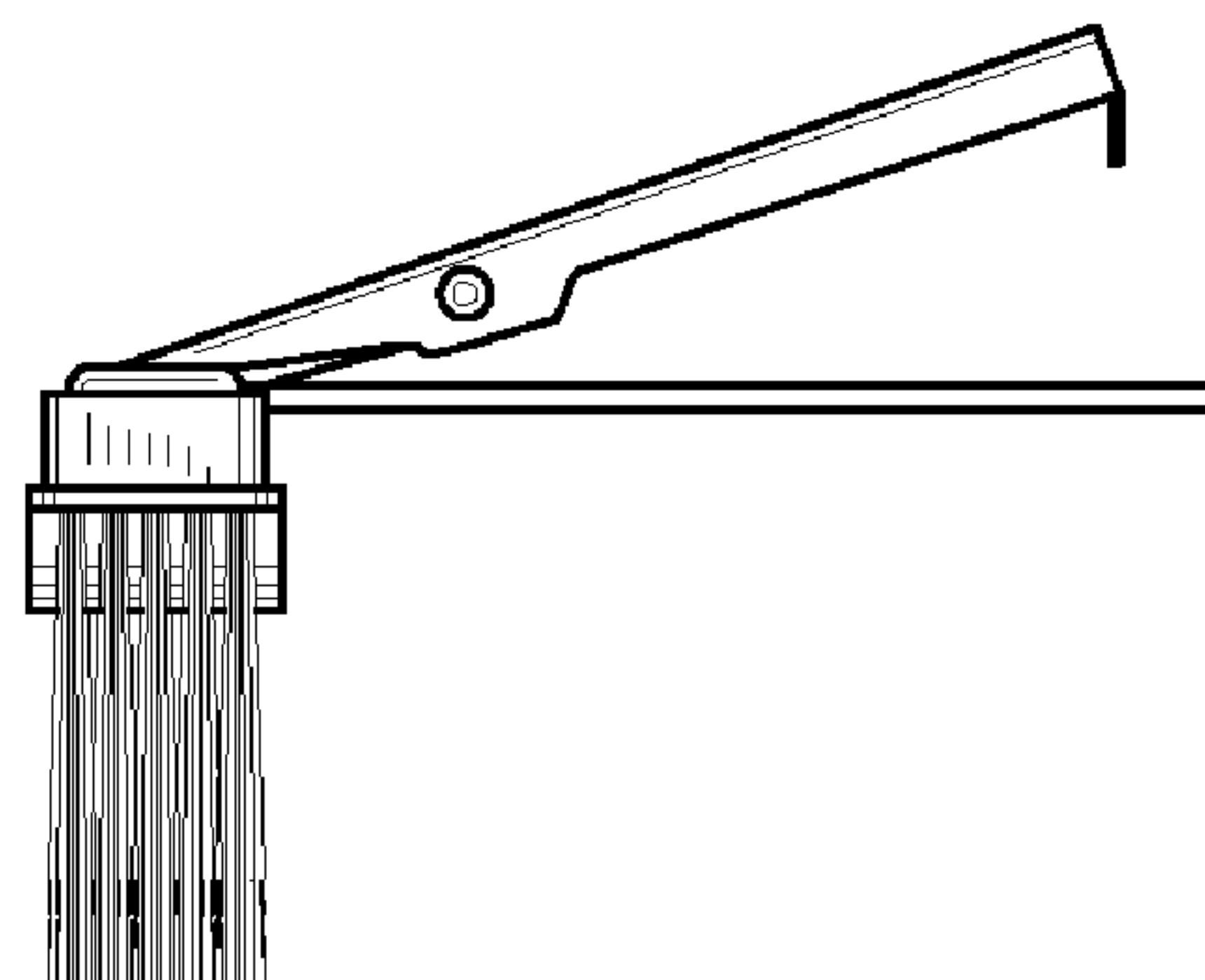


Fig.5

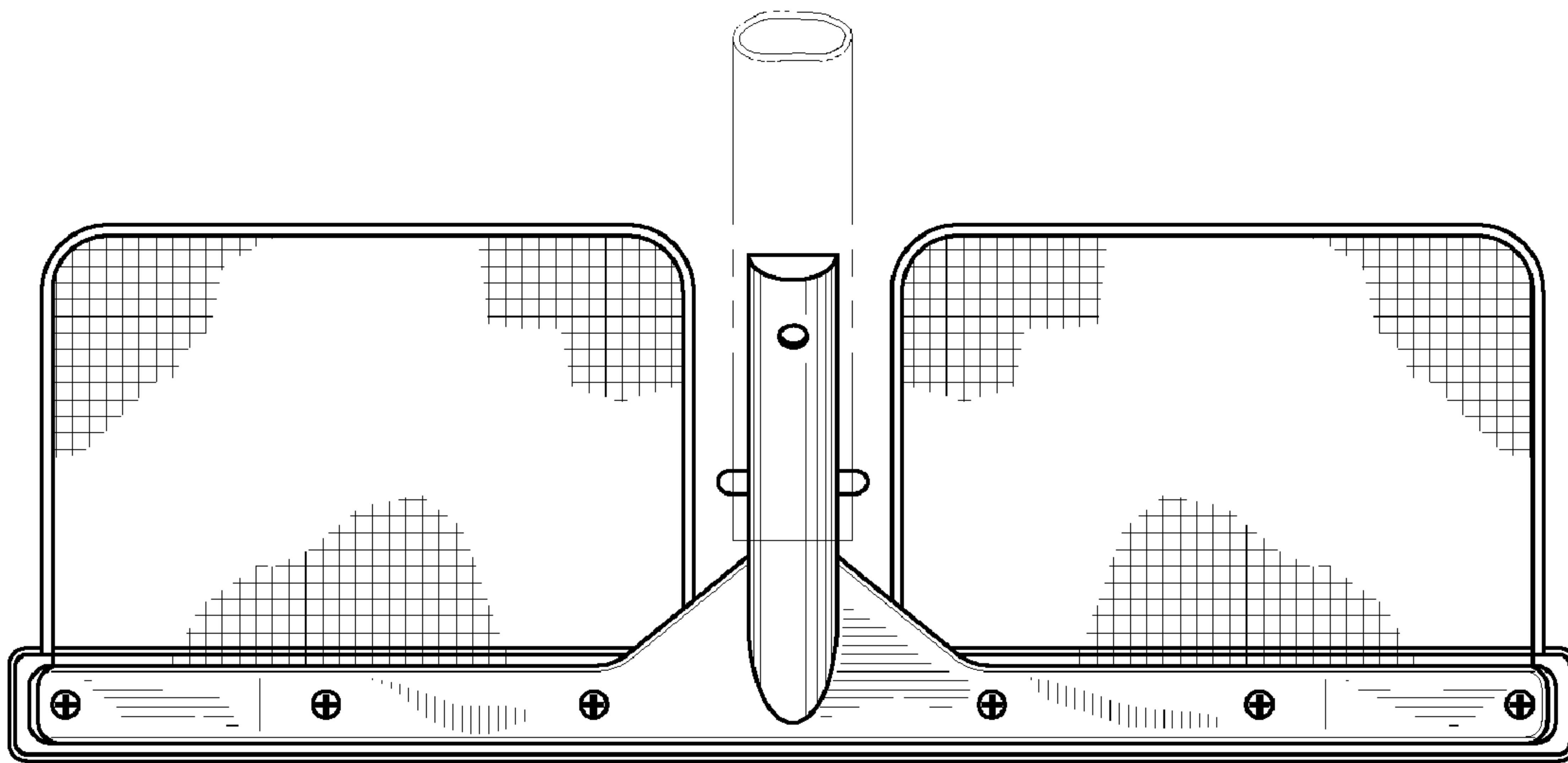


Fig.6

