



US00D563104S

(12) **United States Design Patent**
Wenck

(10) **Patent No.:** **US D563,104 S**
(45) **Date of Patent:** **** Mar. 4, 2008**

(54) **JEWELRY CHEST**

(76) Inventor: **Mary J Wenck**, 4655 Tower Hill La.,
#2416, Sarasota, FL (US) 34238

(**) Term: **14 Years**

(21) Appl. No.: **29/273,528**

(22) Filed: **Mar. 7, 2007**

(51) **LOC (8) Cl.** **03-01**

(52) **U.S. Cl.** **D3/297; D3/903; D6/445**

(58) **Field of Classification Search** D3/201,
D3/273, 294-297, 903, 905; D6/440, 445,
D6/561; 312/204, 224; 206/6.1

See application file for complete search history.

(56) **References Cited**

U.S. PATENT DOCUMENTS

D128,006 S *	7/1941	Saltman	D6/446
D238,326 S *	1/1976	Offredi	D6/448
D333,578 S *	3/1993	White	D6/445
D341,253 S *	11/1993	Ballman et al.	D3/297
D361,430 S *	8/1995	Mohundro	D3/297
D375,213 S *	11/1996	Yeh	D6/440
D381,531 S *	7/1997	Mohundro	D6/445
D381,533 S *	7/1997	Mohundro	D6/445

D383,919 S *	9/1997	Mohundro	D6/445
D385,721 S *	11/1997	Shih et al.	D6/440
D412,626 S *	8/1999	Johnson et al.	D6/433
D417,799 S *	12/1999	Lin	D6/439

* cited by examiner

Primary Examiner—Gary D. Watson

Assistant Examiner—R. L. (Ulm) Cody

(74) *Attorney, Agent, or Firm*—Charles J. Prescott

(57) **CLAIM**

The ornamental design for a jewelry chest, as shown and described.

DESCRIPTION

FIG. 1 is a perspective view of the invention.

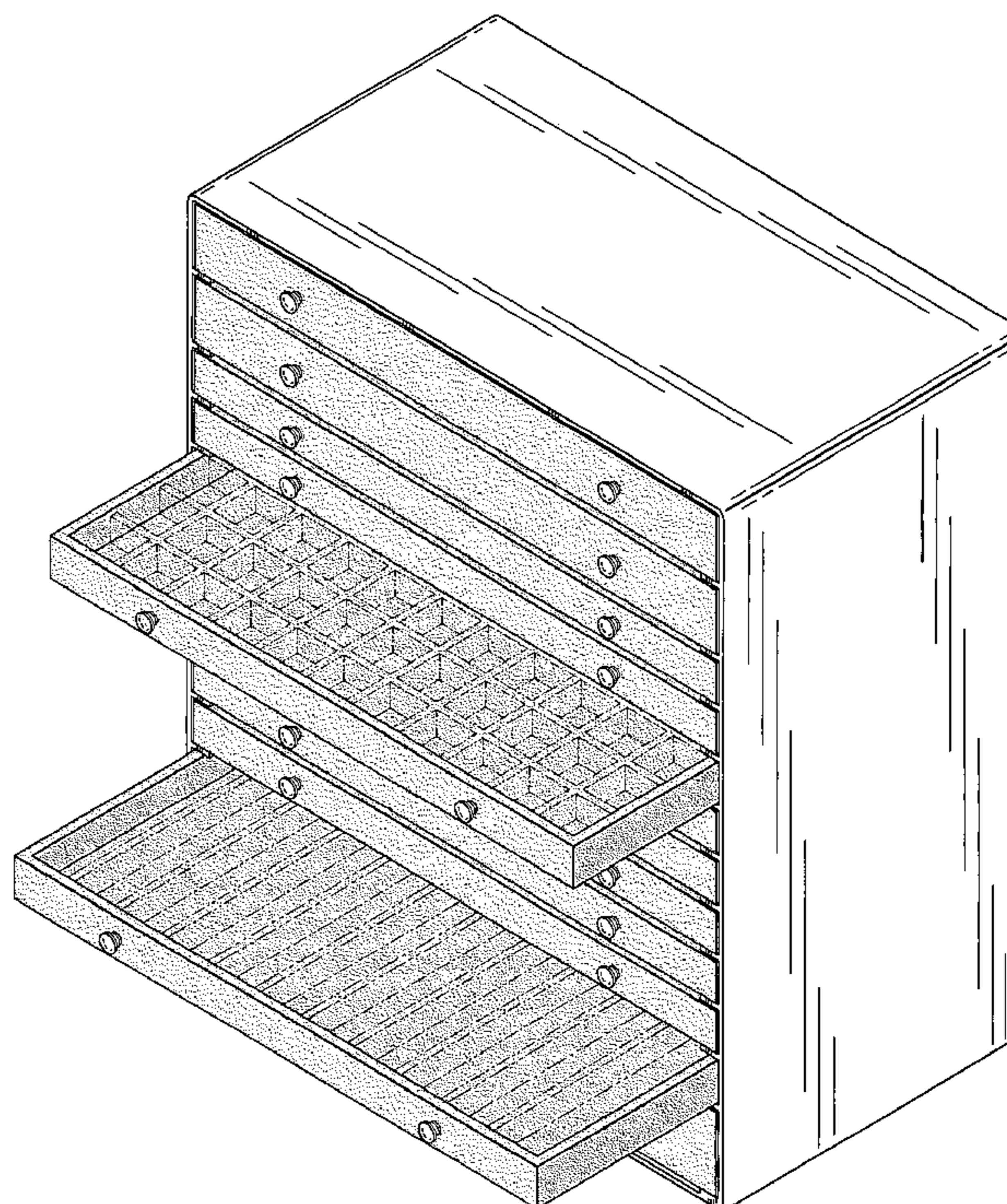
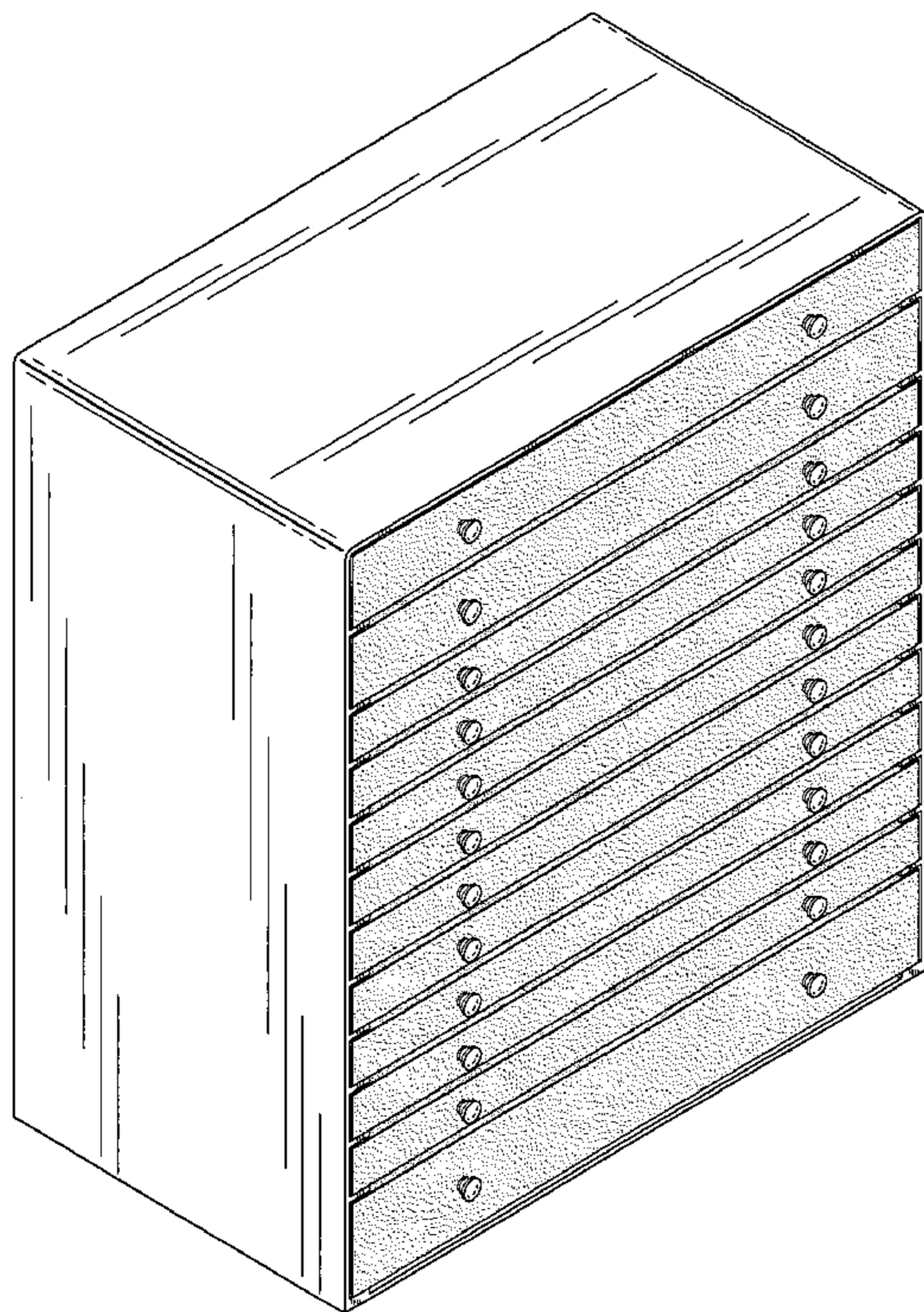
FIG. 2 is a front elevation view of the invention, the rear elevation view being flat and non-ornamental.

FIG. 3 is a right side elevation view of the invention, the left side elevation view being a mirror image thereof.

FIG. 4 is a top plan view of the invention, the bottom plan view being flat and non-ornamental; and,

FIG. 5 is a perspective view showing some of the drawers in an open position.

1 Claim, 5 Drawing Sheets



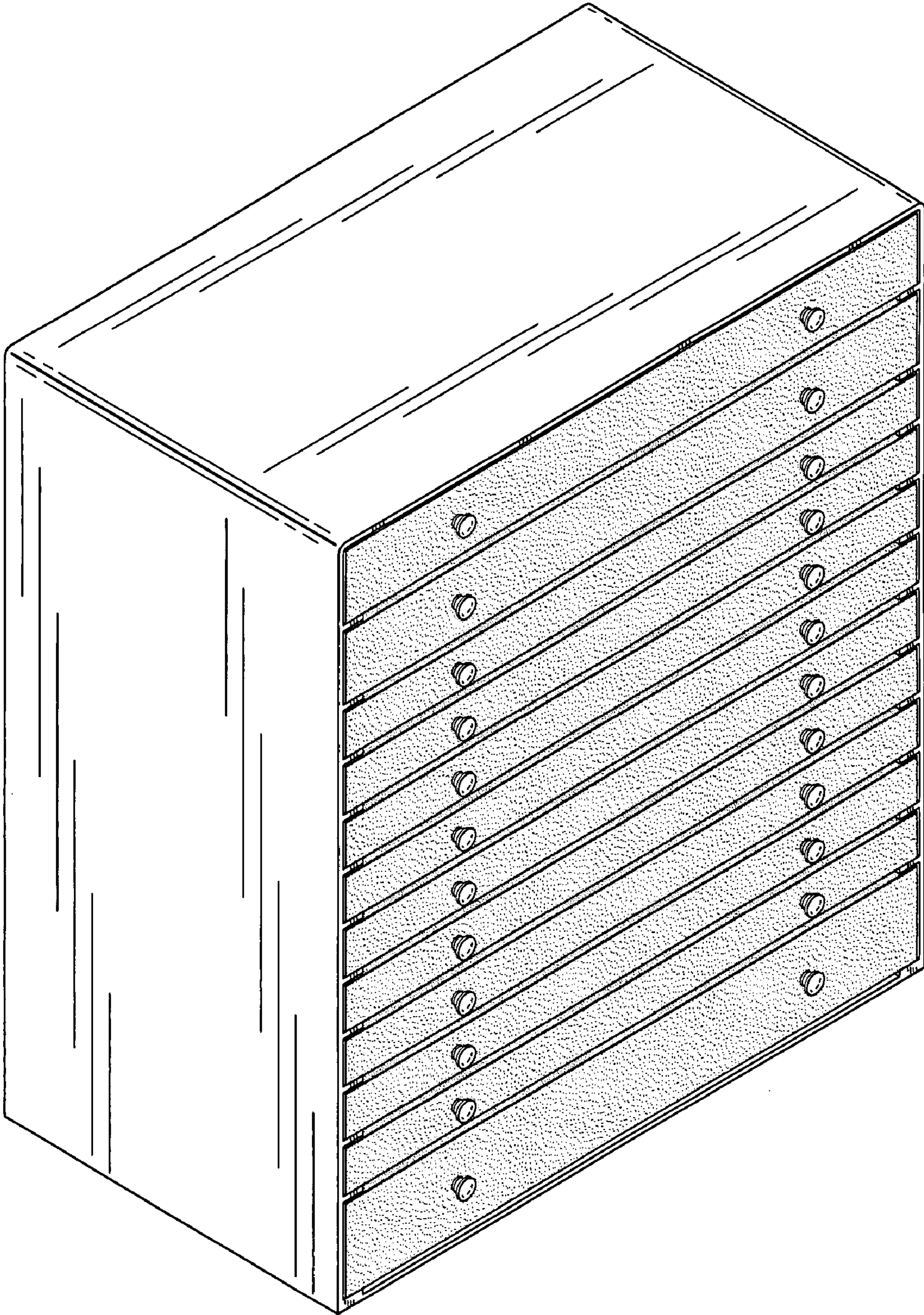


FIG. 1

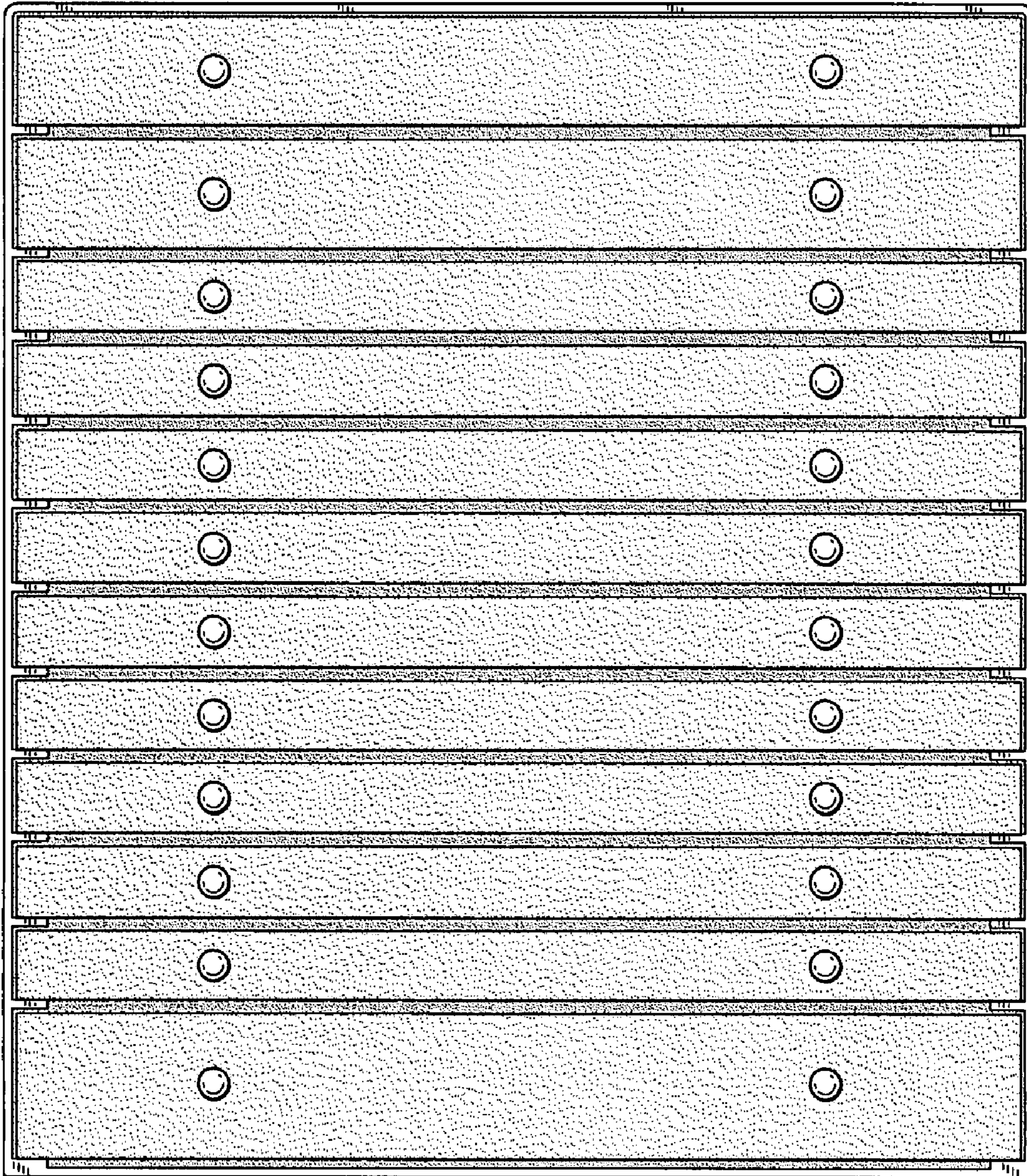


FIG. 2

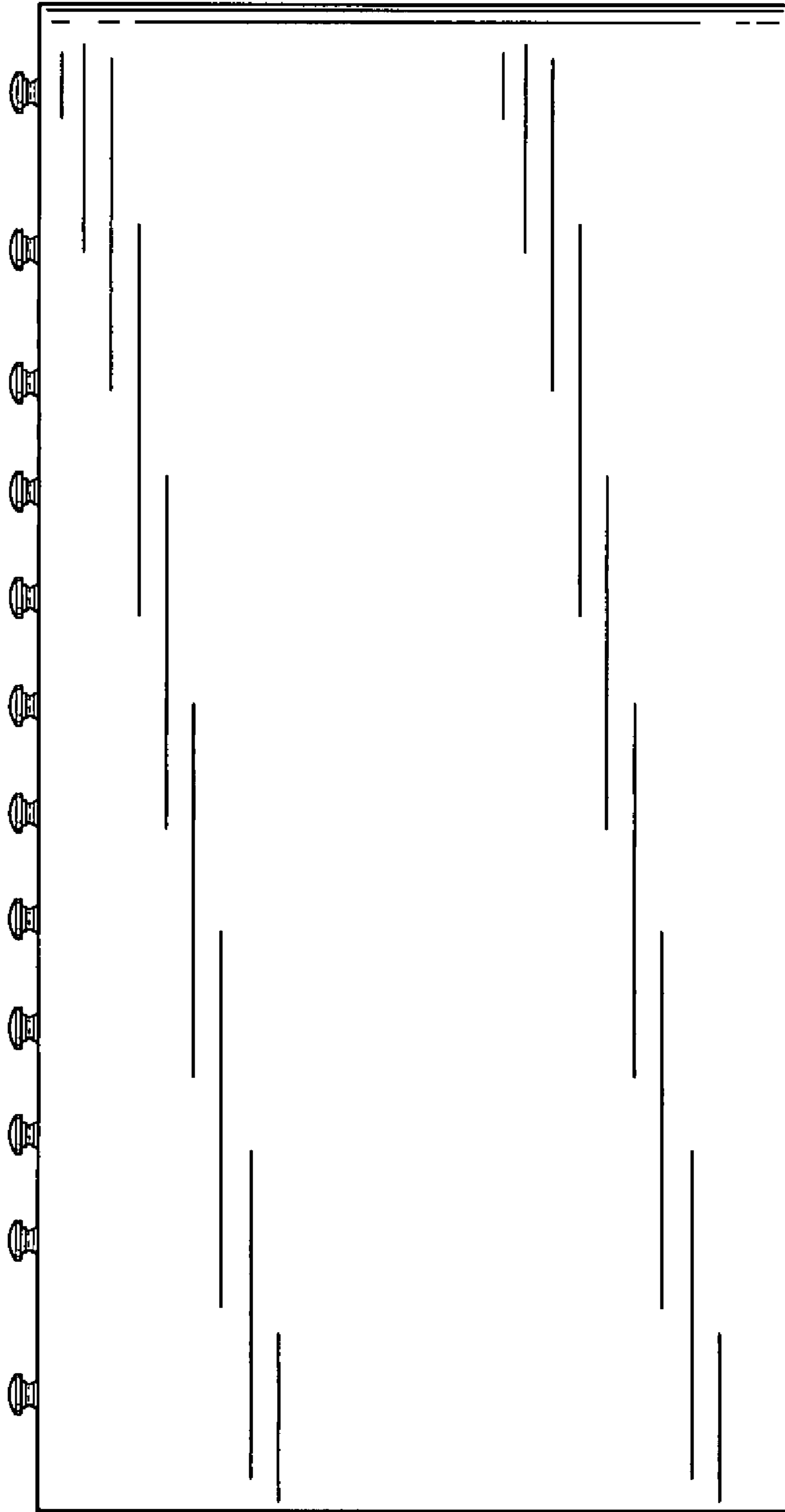


FIG. 3

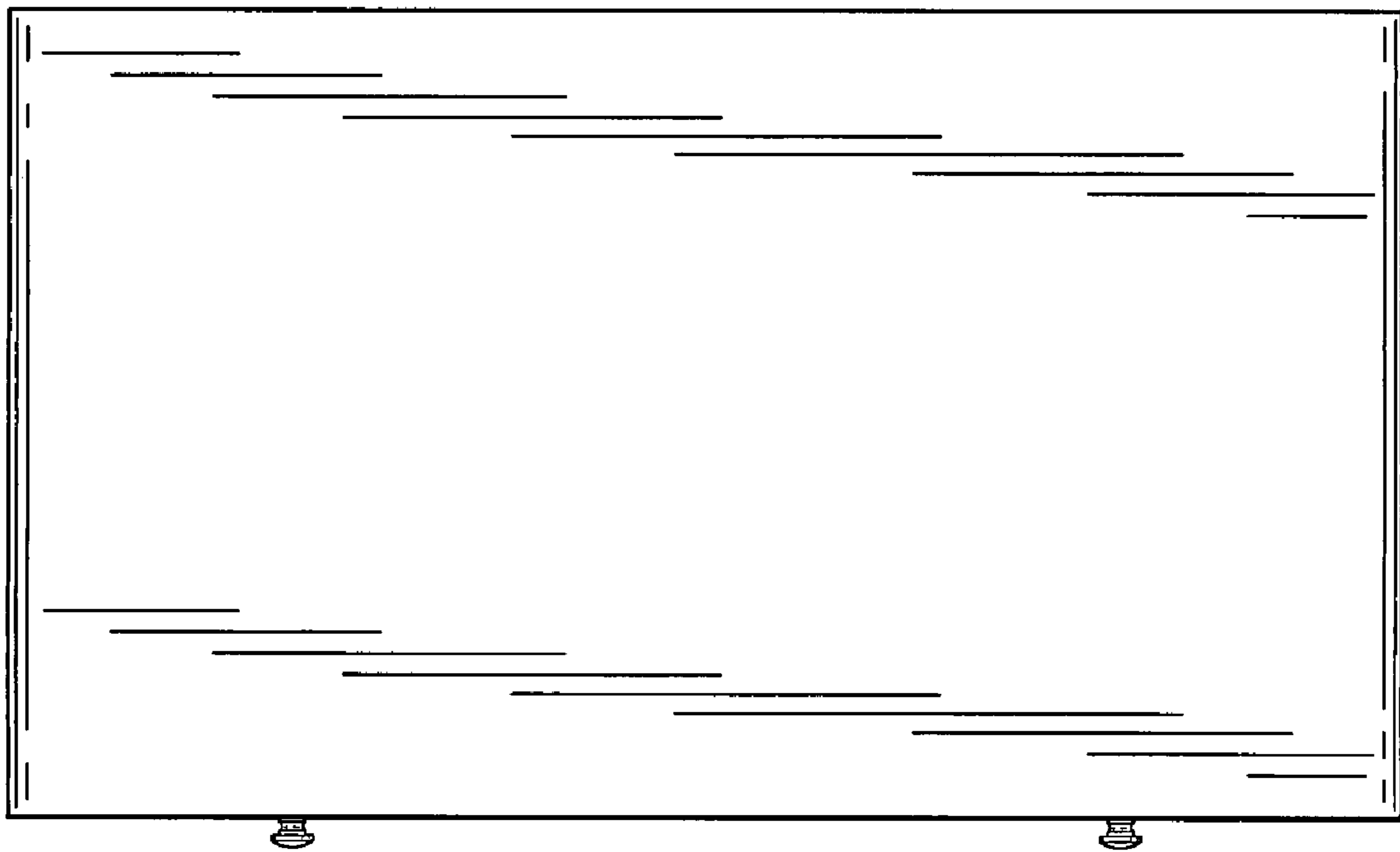


FIG. 4

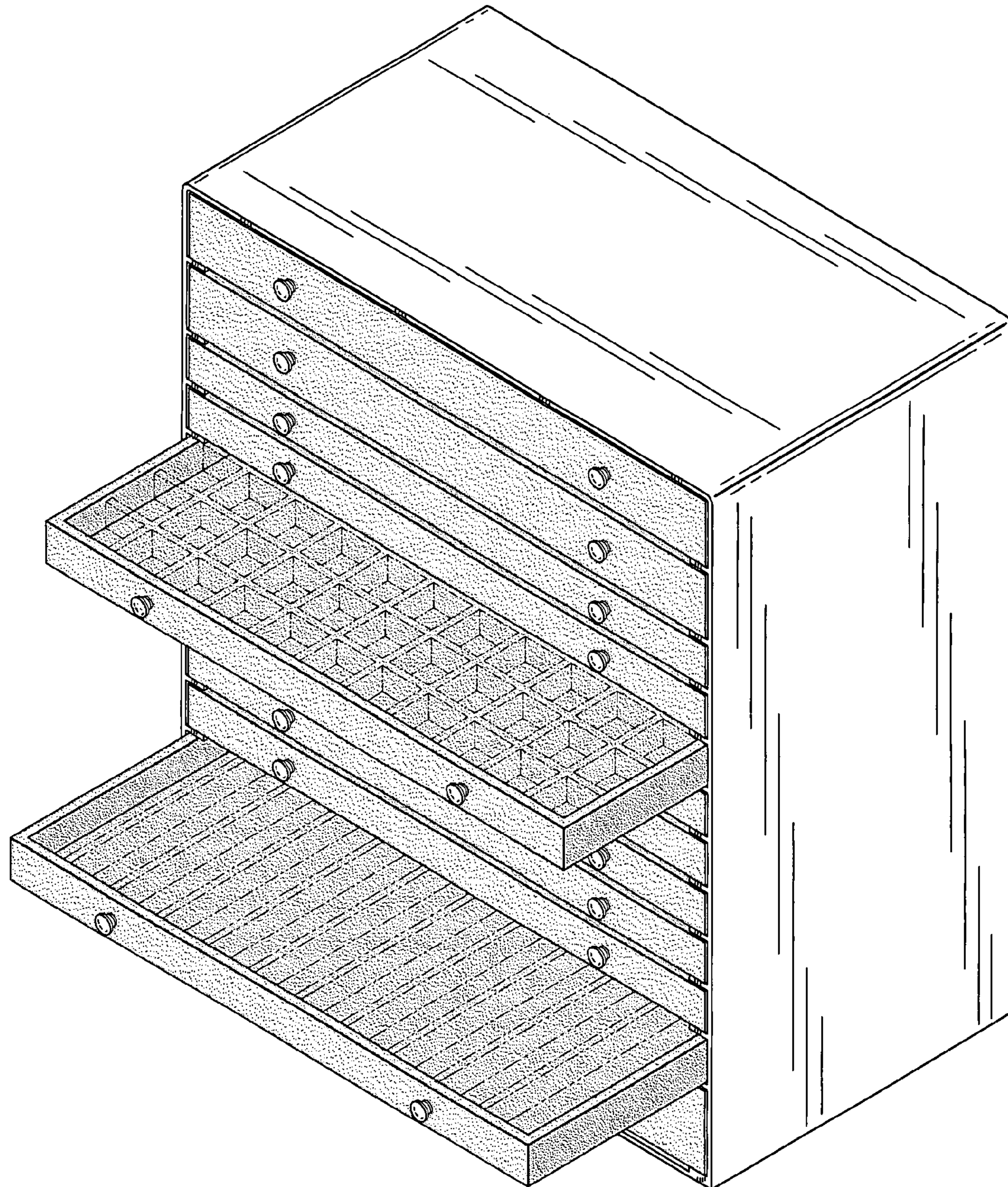


FIG. 5