



US00D563103S

(12) **United States Design Patent**
Hand

(10) **Patent No.:** **US D563,103 S**

(45) **Date of Patent:** **** Mar. 4, 2008**

(54) **TOOL CHEST**

(75) Inventor: **Jim Hand**, Glen Ellyn, IL (US)

(73) Assignee: **Waterloo Industries, Inc.**, Waterloo, IA (US)

(**) Term: **14 Years**

(21) Appl. No.: **29/271,186**

(22) Filed: **Jan. 11, 2007**

Related U.S. Application Data

(63) Continuation of application No. 29/269,945, filed on Dec. 12, 2006.

(51) **LOC (8) Cl.** **03-01**

(52) **U.S. Cl.** **D3/297; D3/905; D3/318**

(58) **Field of Classification Search** D3/260, D3/272-273, 276, 283, 297, 318, 231-322, D3/905; D6/441, 445, 491; 312/308, 351, 312/902; 206/349, 372-373, 376-379
See application file for complete search history.

(56) **References Cited**

U.S. PATENT DOCUMENTS

D205,522 S *	8/1966	Doman	D6/445
D218,080 S *	7/1970	Sierzega	D3/297
4,120,549 A *	10/1978	Bureau	312/249.12
D341,253 S *	11/1993	Ballman et al.	D3/297
5,332,305 A *	7/1994	Slivon et al.	312/328
5,443,311 A *	8/1995	Kadlecek et al.	312/308
D370,342 S *	6/1996	Gwyther	D3/254
5,720,535 A *	2/1998	Mehman	312/219
D393,541 S *	4/1998	Calmeise	D3/297
5,857,757 A *	1/1999	Bieker et al.	312/351.3
D423,818 S *	5/2000	Holcomb et al.	D6/445
D427,807 S *	7/2000	Holcomb et al.	D6/445
6,109,709 A *	8/2000	Holcomb et al.	312/218

D430,426 S *	9/2000	Bieker et al.	D6/445
D448,168 S *	9/2001	Johnston	D3/297
D453,074 S *	1/2002	Johnston	D3/321
D455,902 S *	4/2002	Wolf	D3/275
D505,237 S	5/2005	Schmidt et al.		
D514,854 S	2/2006	Schmidt et al.		
D517,805 S *	3/2006	Hosking	D3/295
D520,784 S	5/2006	Schmidt et al.		
D526,782 S *	8/2006	Hosking	D3/296

* cited by examiner

Primary Examiner—Philip S. Hyder

Assistant Examiner—RoseLynne H. (Ulm) Cody

(74) *Attorney, Agent, or Firm*—Calfee, Halter & Griswold LLP

(57) **CLAIM**

I claim the ornamental design for a tool chest, as shown and described.

DESCRIPTION

FIG. 1 is a perspective view of a tool chest of the new design;

FIG. 2 is a front elevation view of the tool chest of FIG. 1;

FIG. 3 is a rear view of the tool chest of FIG. 1;

FIG. 4 is a left side view of the tool chest of FIG. 1;

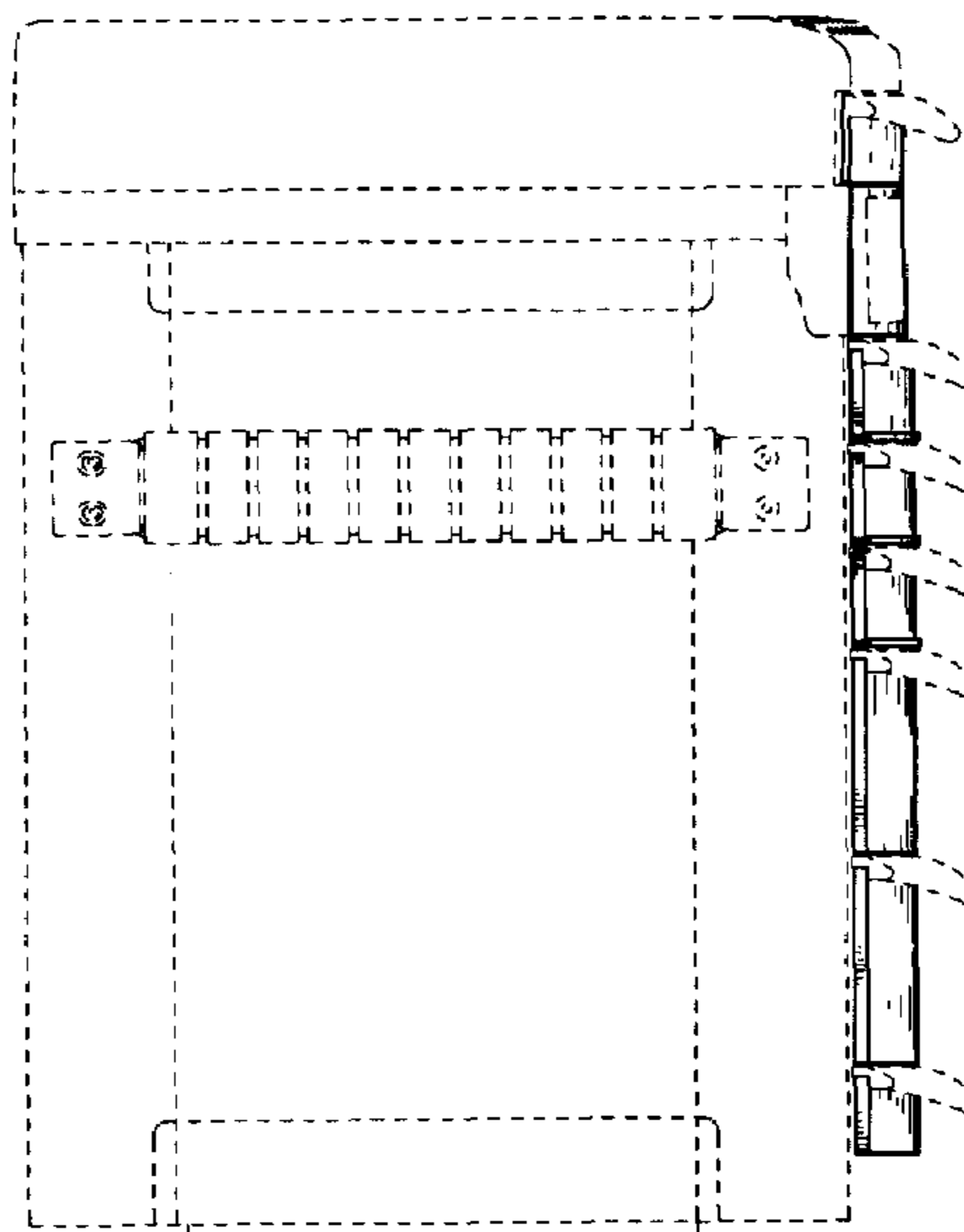
FIG. 5 is a right side view of the tool chest of FIG. 1;

FIG. 6 is a top view of the tool chest of FIG. 1; and,

FIG. 7 is a bottom view of the tool chest of FIG. 1.

The phantom lines at the rear and inside edges of the claimed subject matter indicate boundary of the claimed design. All other phantom lines are illustrative of environment. In neither case do the phantom lines form part of the claimed design.

1 Claim, 4 Drawing Sheets



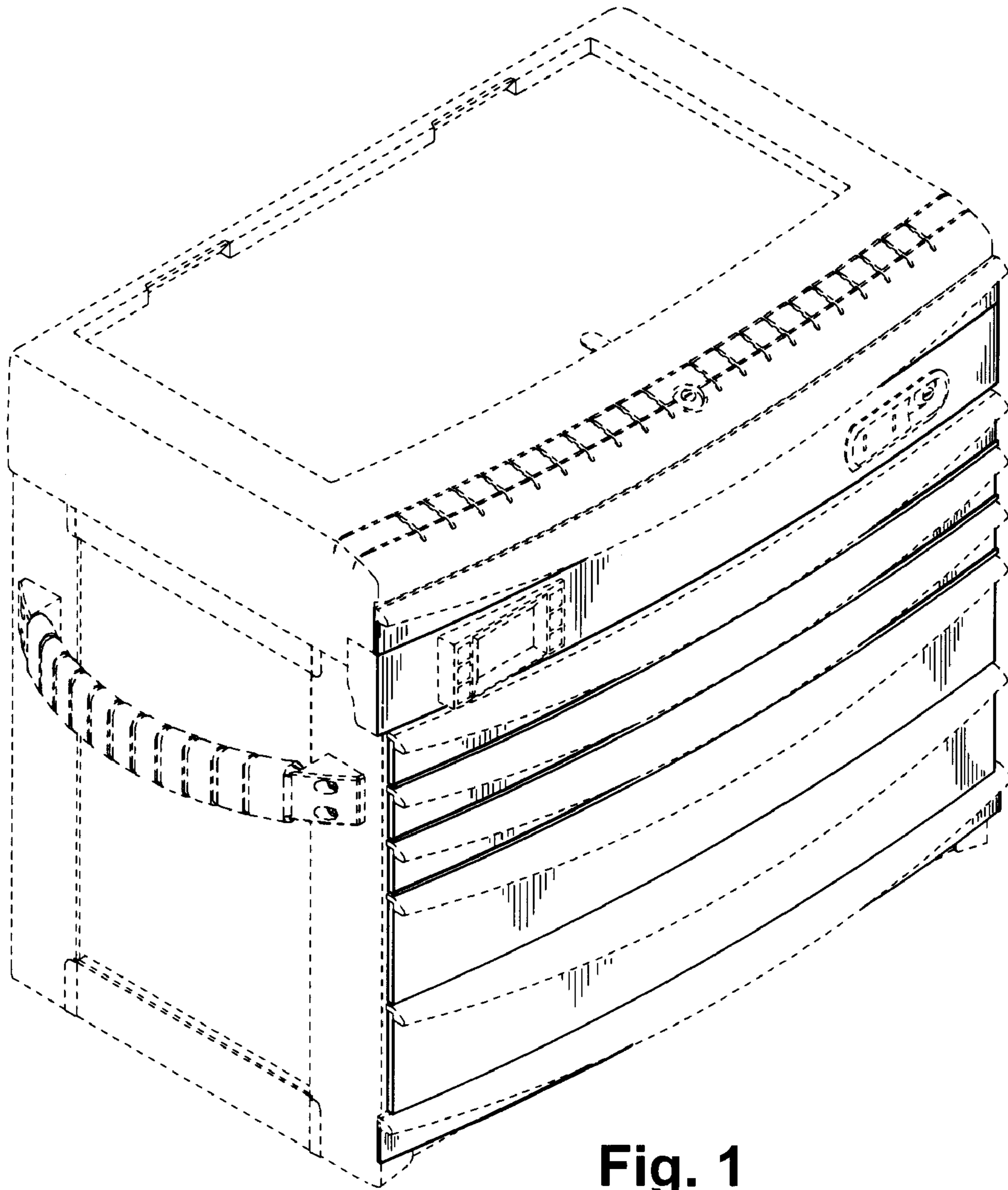


Fig. 1

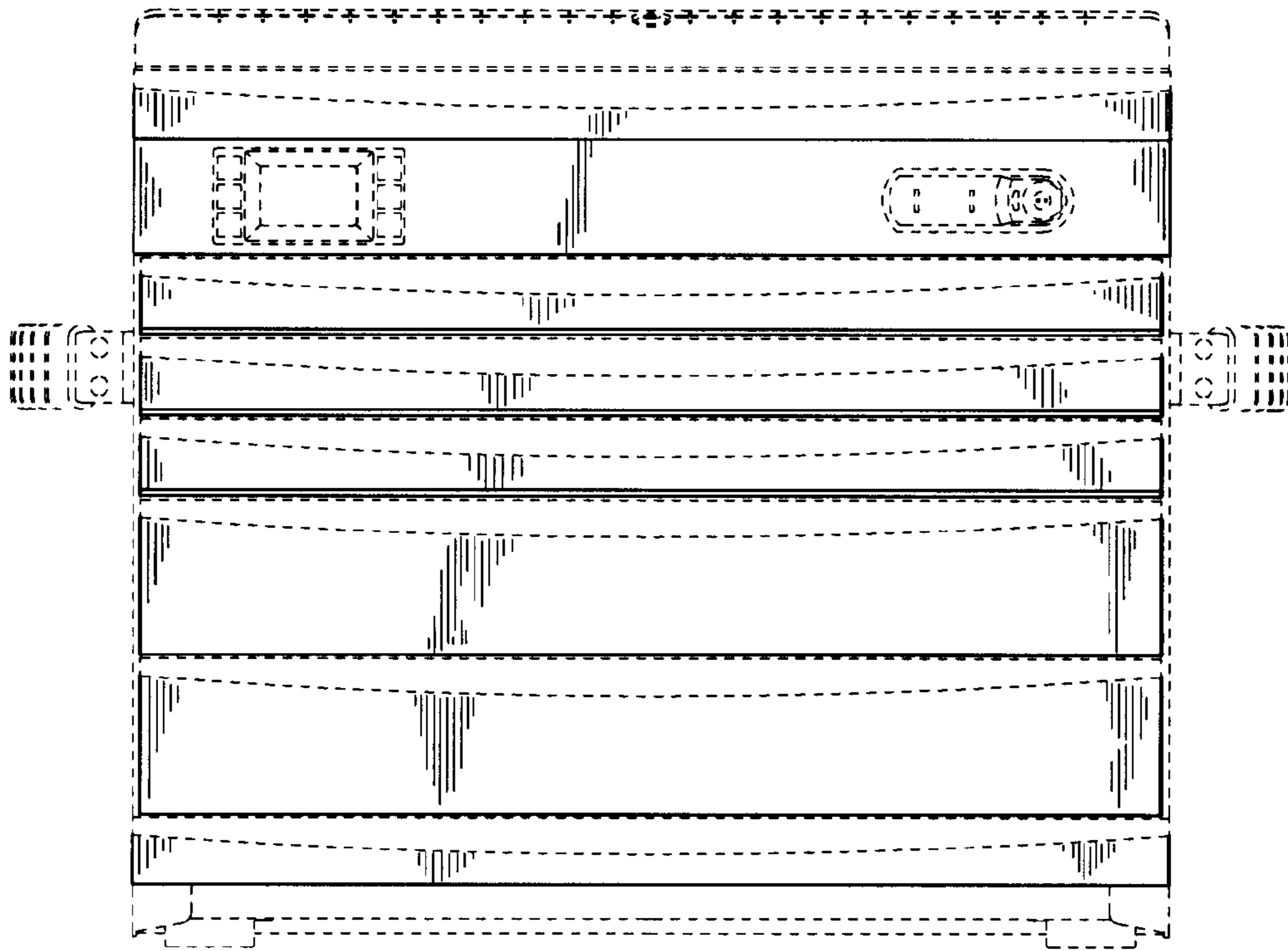


Fig. 2

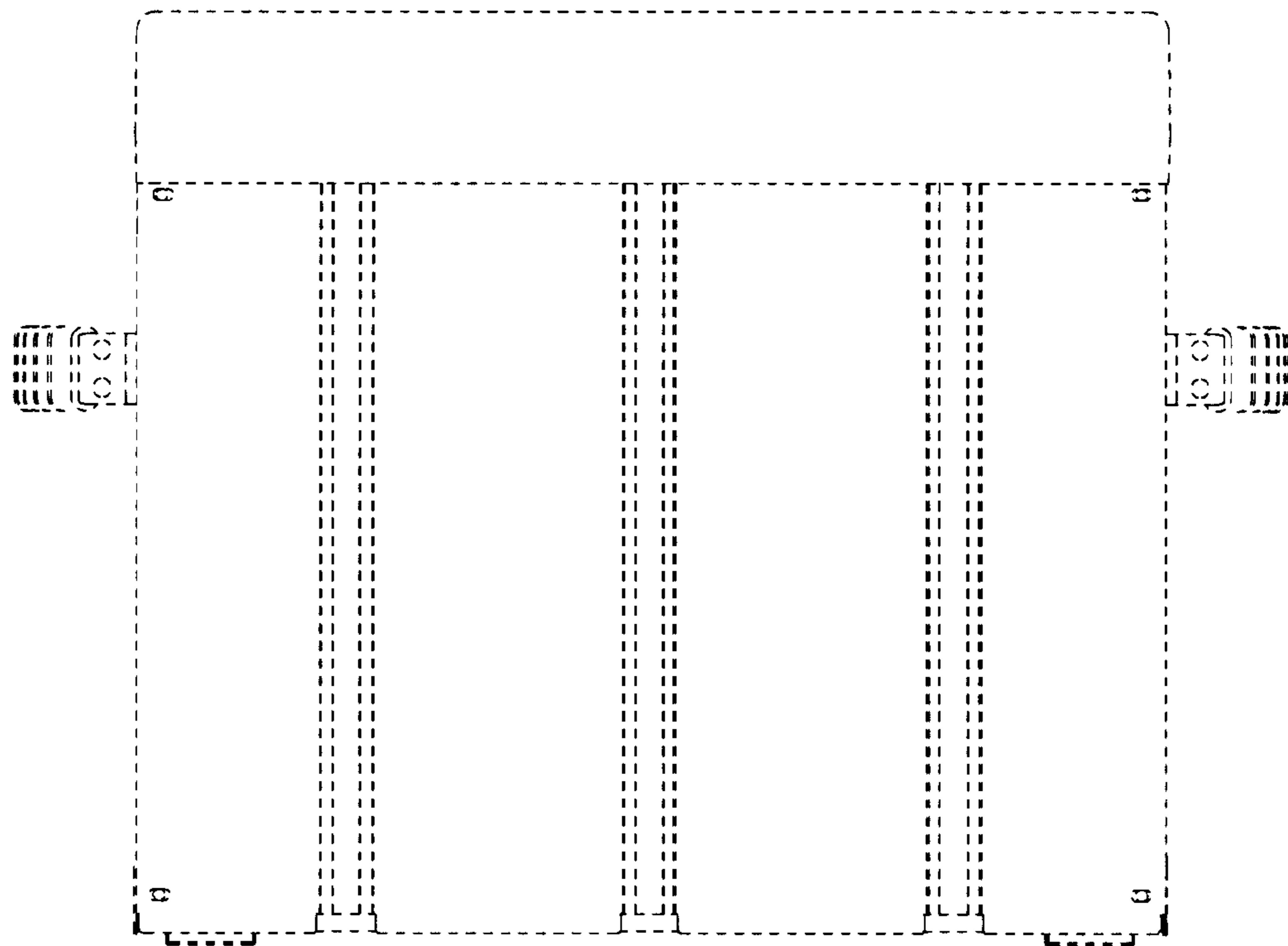


Fig. 3

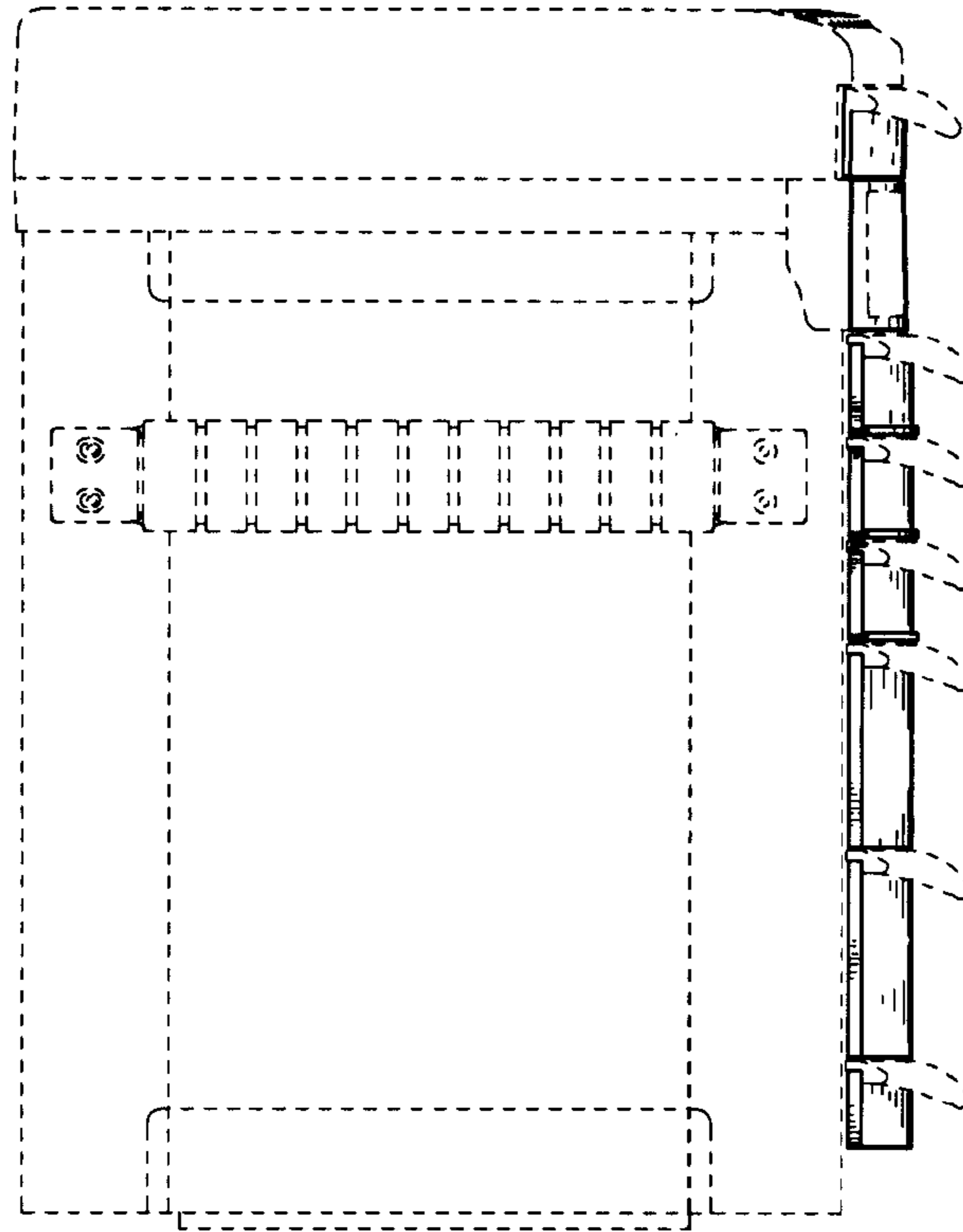


Fig. 4

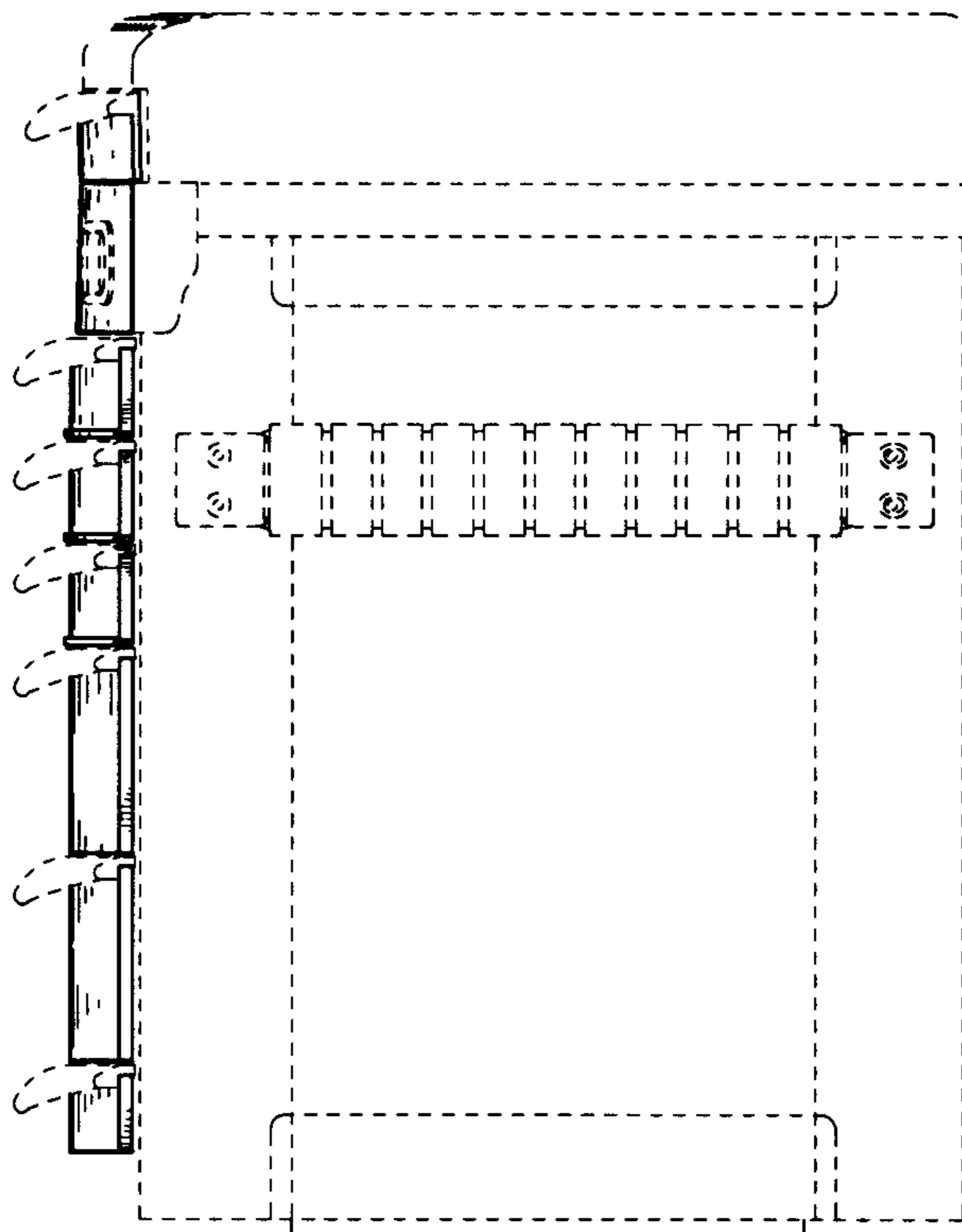


Fig. 5

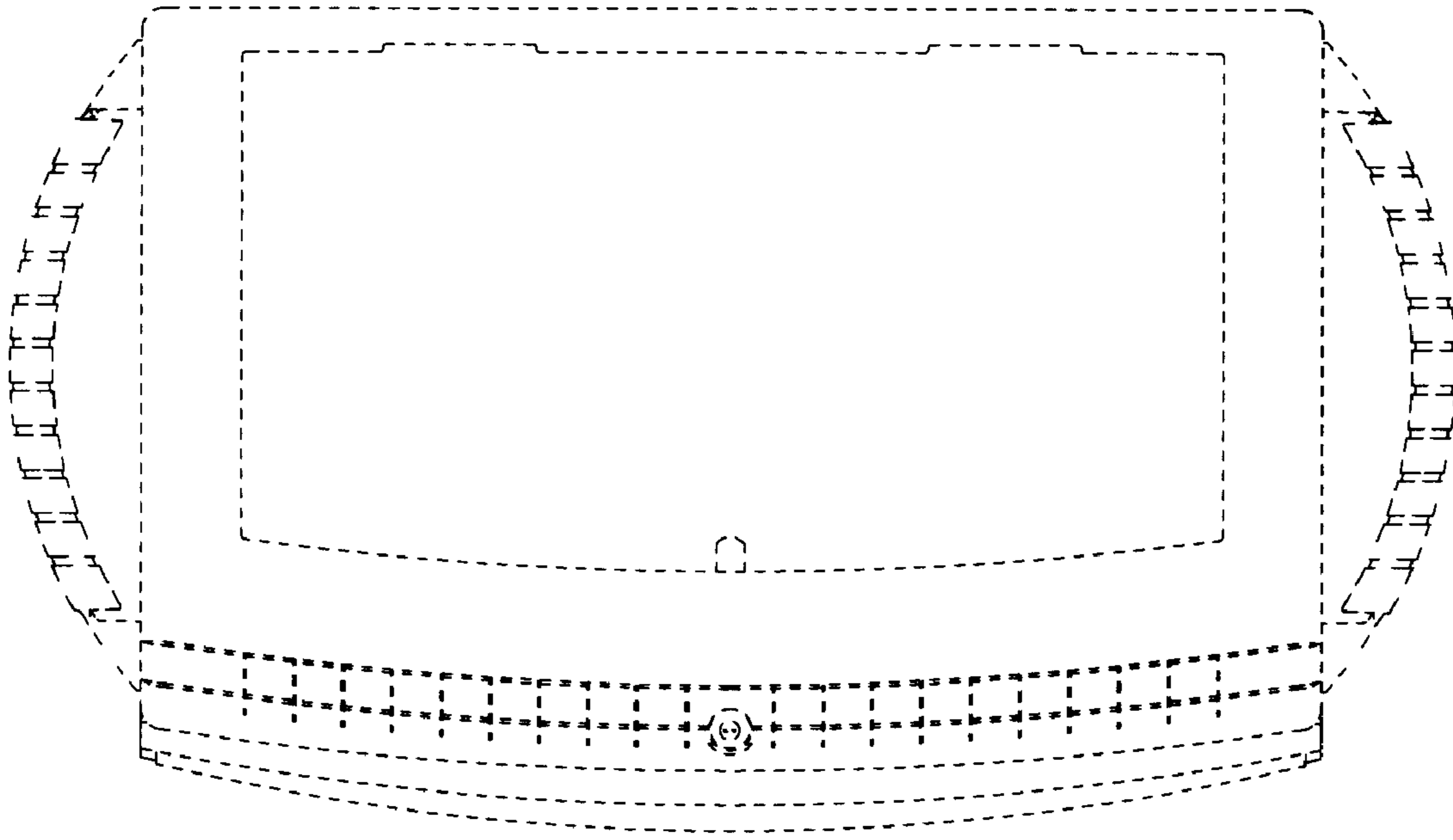


Fig. 6

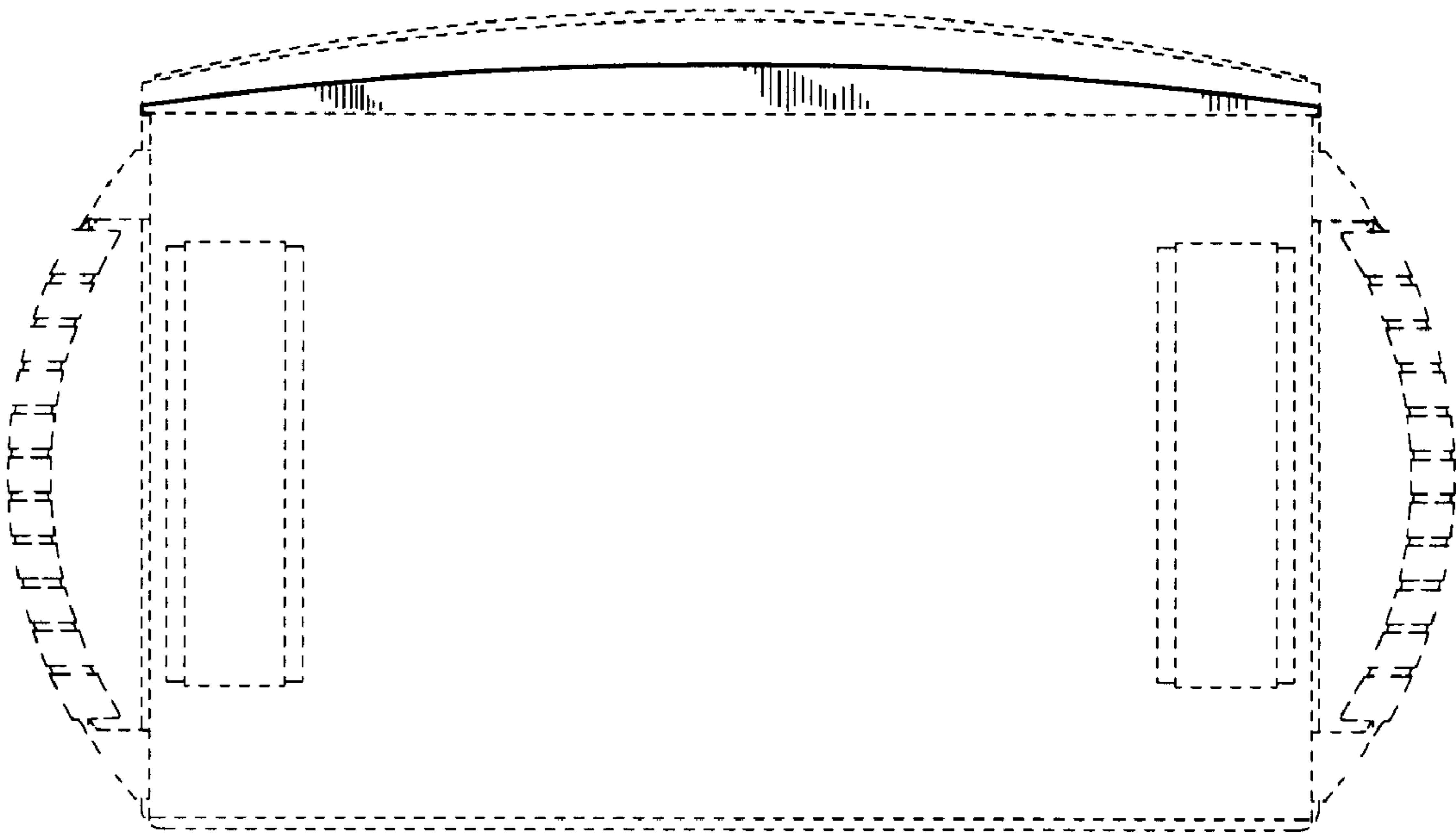


Fig. 7