

US00D563095S

(12) **United States Design Patent**
Sabbag

(10) **Patent No.:** **US D563,095 S**
(45) **Date of Patent:** **** Mar. 4, 2008**

(54) **MEDICATION CONTAINER**

(76) Inventor: **Brenda Diane Sabbag**, 841 Suntree Woods Dr., Melbourne, FL (US) 32940

(**) Term: **14 Years**

(21) Appl. No.: **29/281,789**

(22) Filed: **Jul. 2, 2007**

(51) **LOC (8) Cl.** **03-01**

(52) **U.S. Cl.** **D3/203.3**

(58) **Field of Classification Search** D3/203.3, D3/203.4, 201, 205; D28/78-79; 206/531, 206/532, 534, 534.1, 538-539; D9/757
See application file for complete search history.

(56) **References Cited**

U.S. PATENT DOCUMENTS

4,261,468 A	4/1981	Krebs	206/538
D278,513 S	4/1985	Ebeling et al.	D3/203.3
D281,225 S	11/1985	Leman	206/534
D328,703 S	8/1992	Klumpyan	D3/203.4
D342,671 S *	12/1993	Elliott	D3/203.4
D393,203 S *	4/1998	Saltzman et al.	D3/203.3
5,762,199 A	6/1998	Aguilera	206/533
5,782,359 A	7/1998	McAllister et al.	206/538

5,921,395 A	7/1999	Alexander	206/538
D451,666 S	12/2001	Zastrow	D3/203
D463,102 S *	9/2002	Rosado et al.	D3/203.3
7,147,127 B2	12/2006	Lepke et al.	221/4
2005/0045519 A1 *	3/2005	Hirsch	206/534

* cited by examiner

Primary Examiner—Catherine R. Oliver

(74) *Attorney, Agent, or Firm*—John L. DeAngelis; Beusse Wolter Sanks Mora & Maire PA

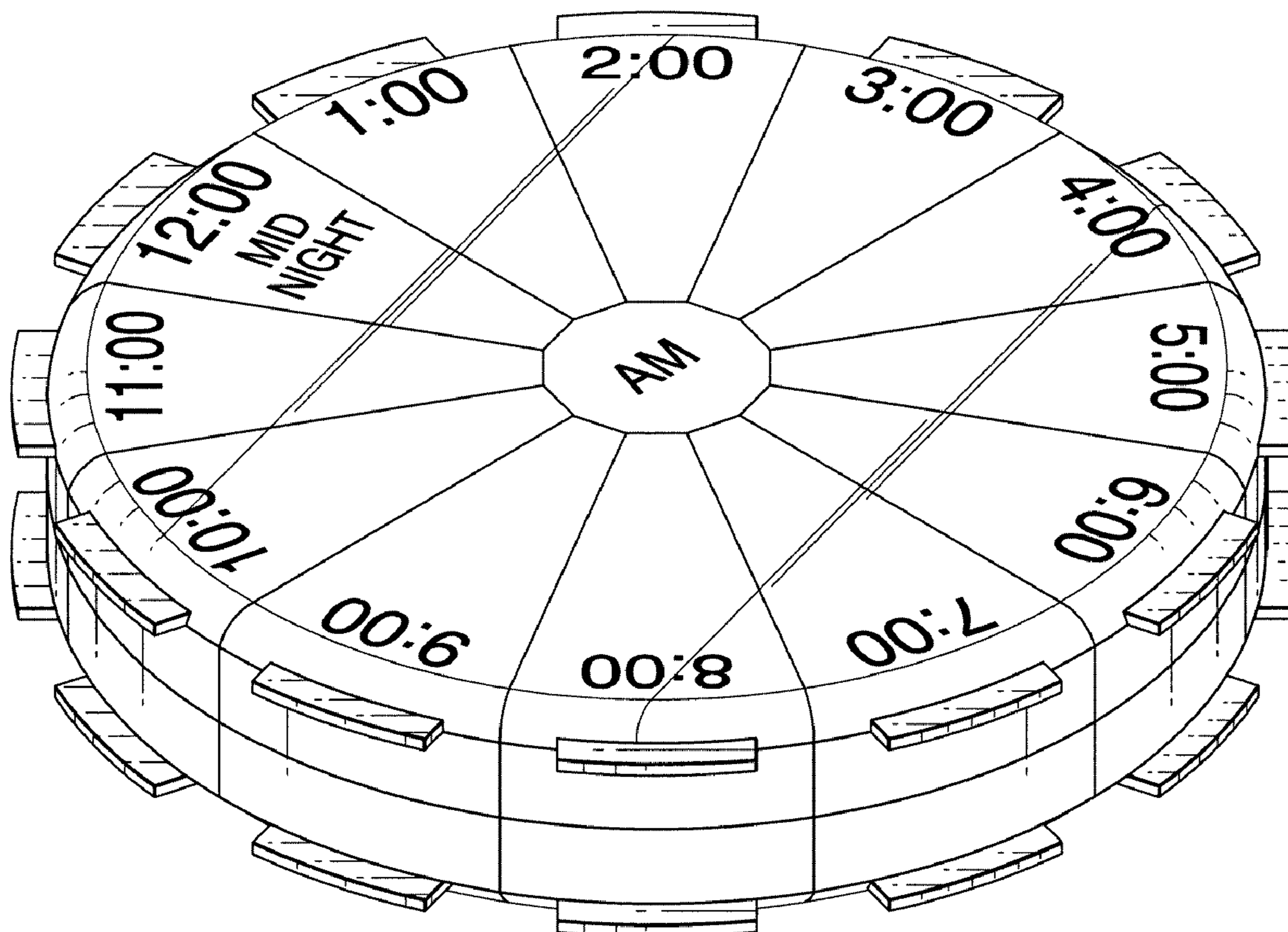
(57) **CLAIM**

The ornamental design for a medication container, as shown and described.

DESCRIPTION

FIG. 1 is a top perspective view of the medication container; FIG. 2 is a top view; FIG. 3 is a bottom view; FIG. 4 is a front elevational view; FIG. 5 is a rear elevational view; FIG. 6 is a left side elevational view; and, FIG. 7 is a right side elevational view.

1 Claim, 4 Drawing Sheets



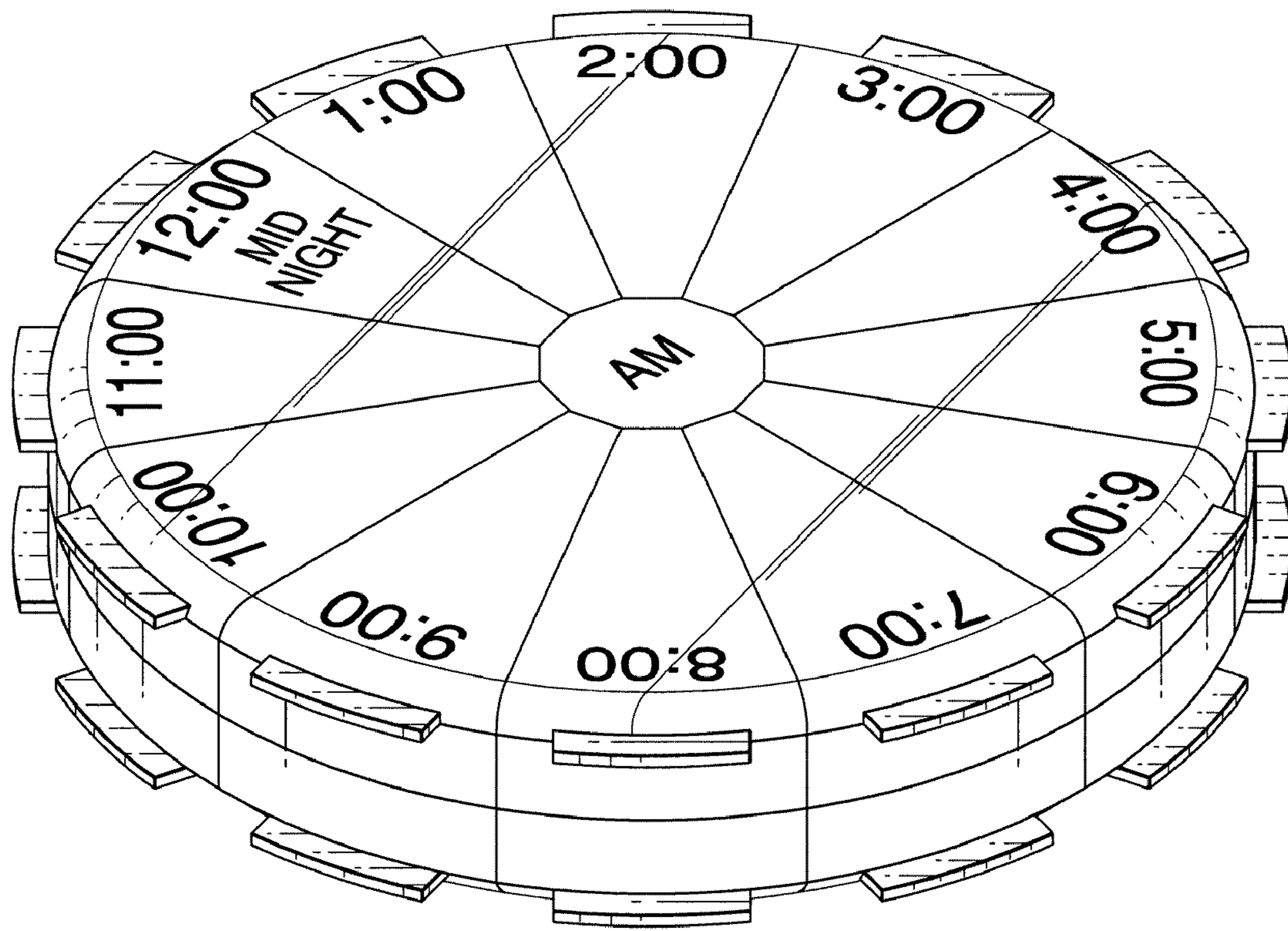


FIG. 1

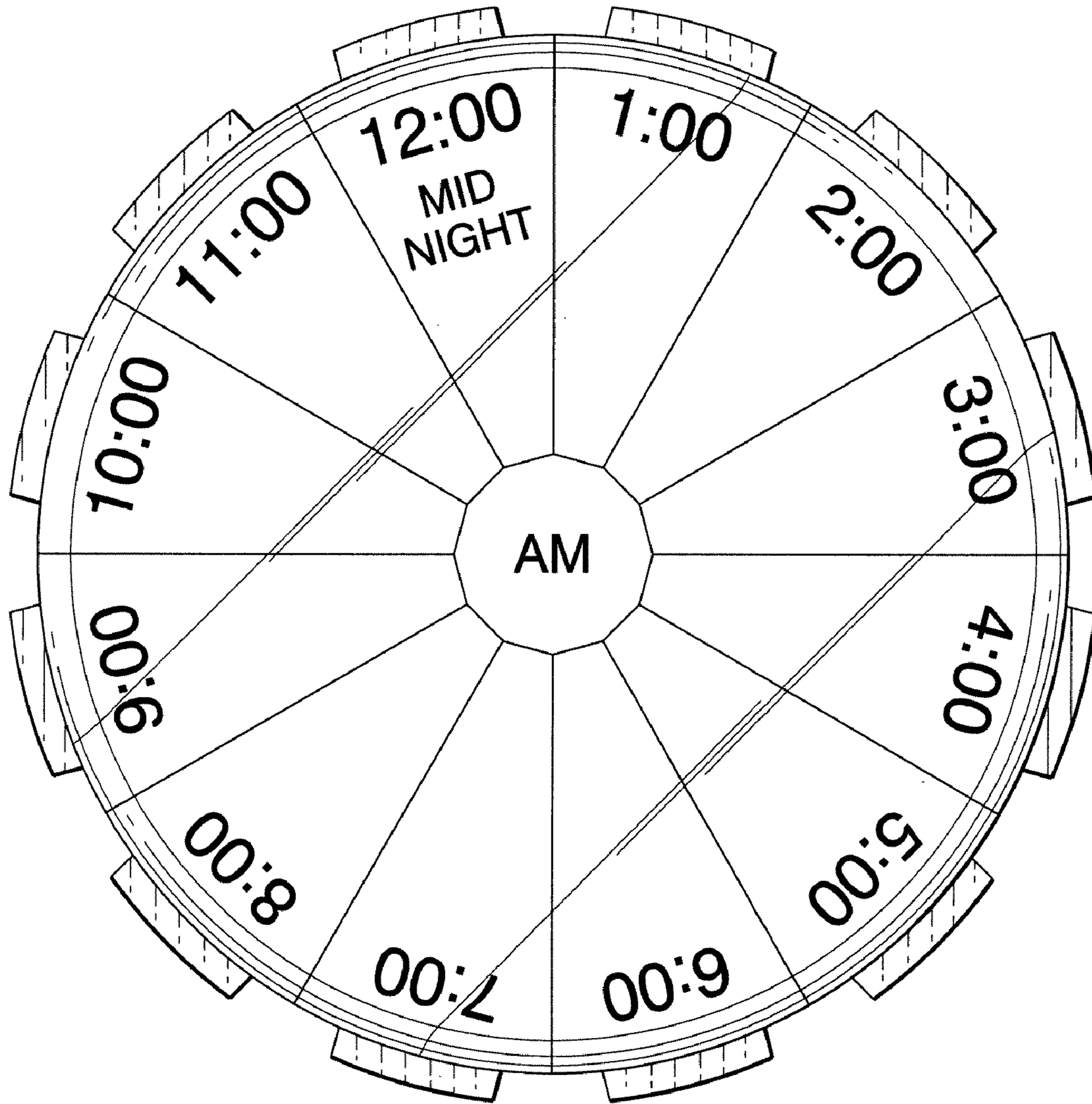


FIG. 2

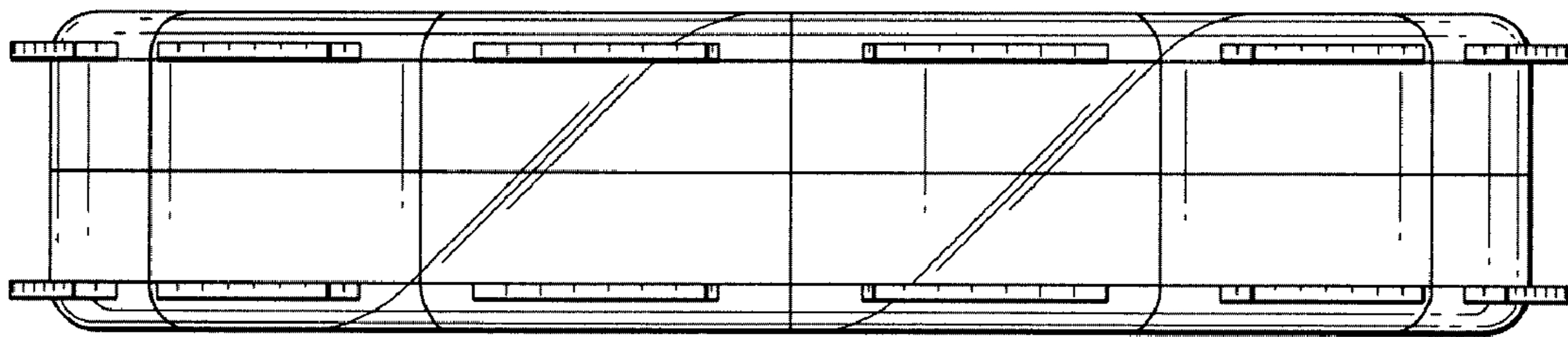


FIG. 4

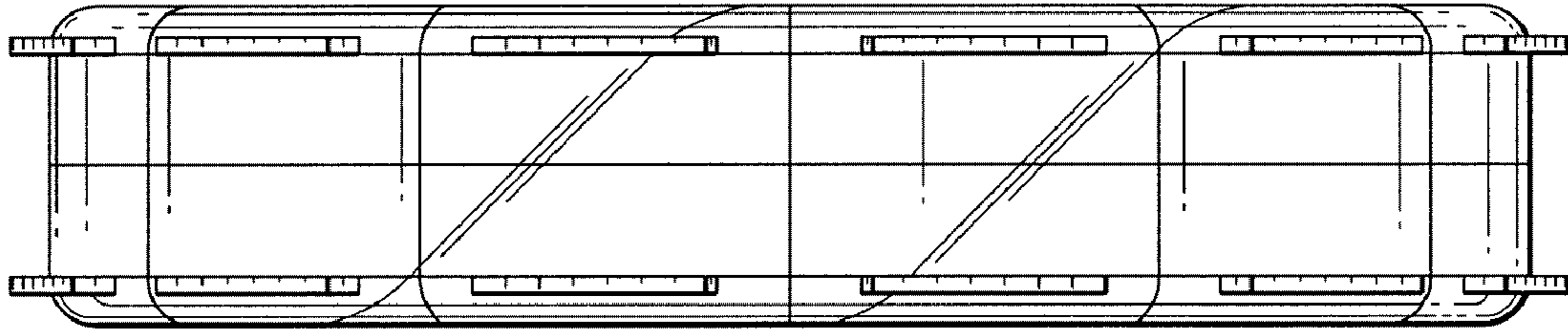


FIG. 5

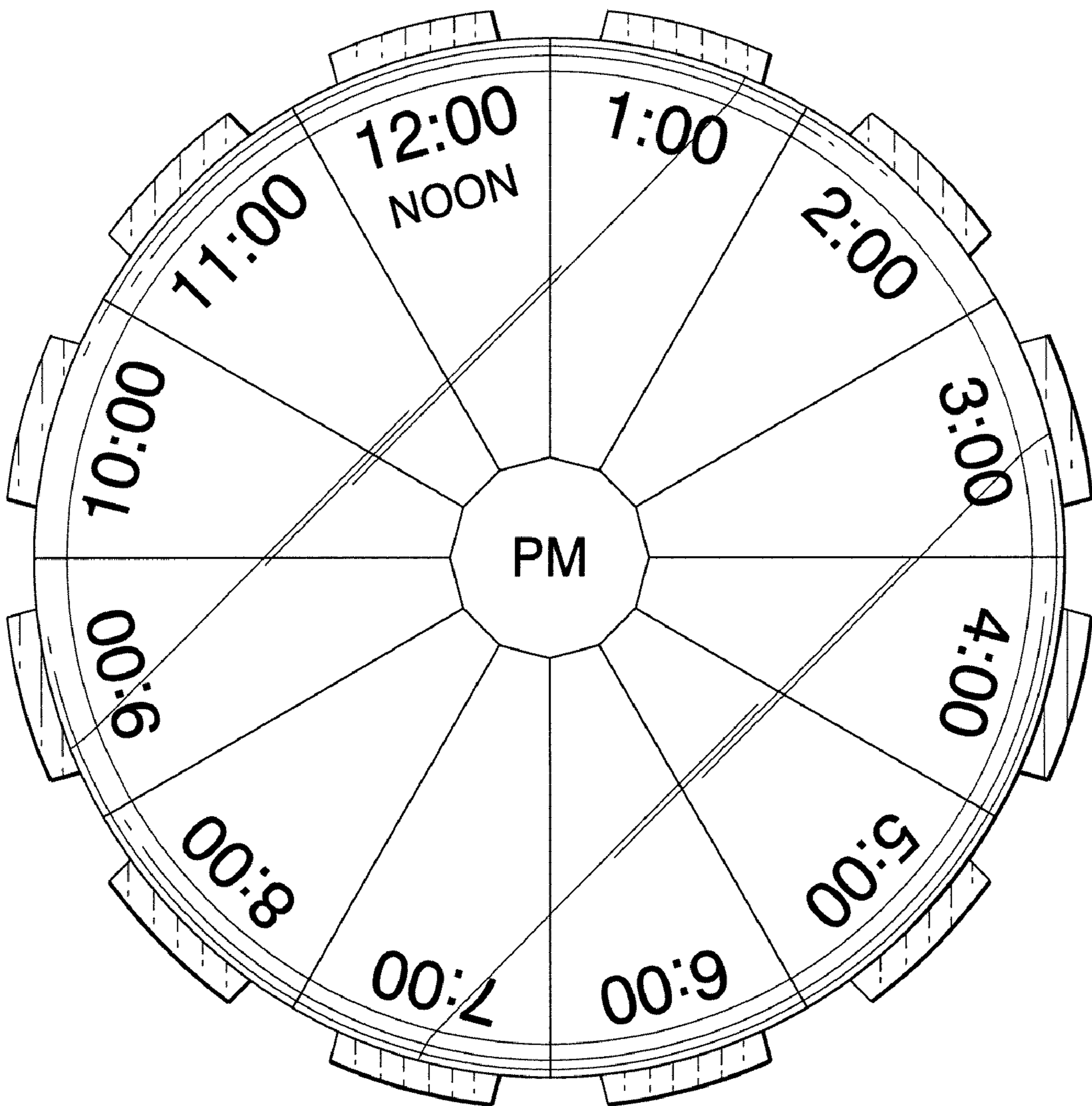


FIG. 3

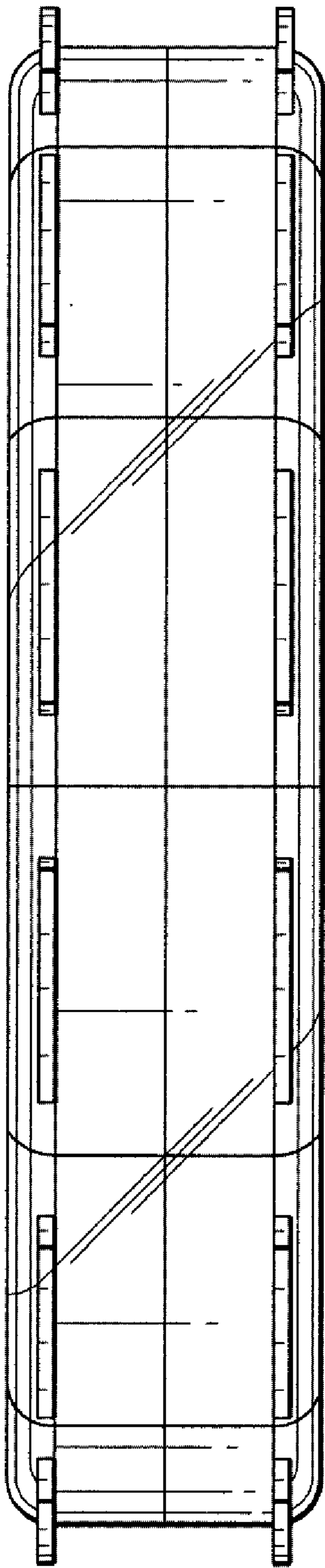


FIG. 6

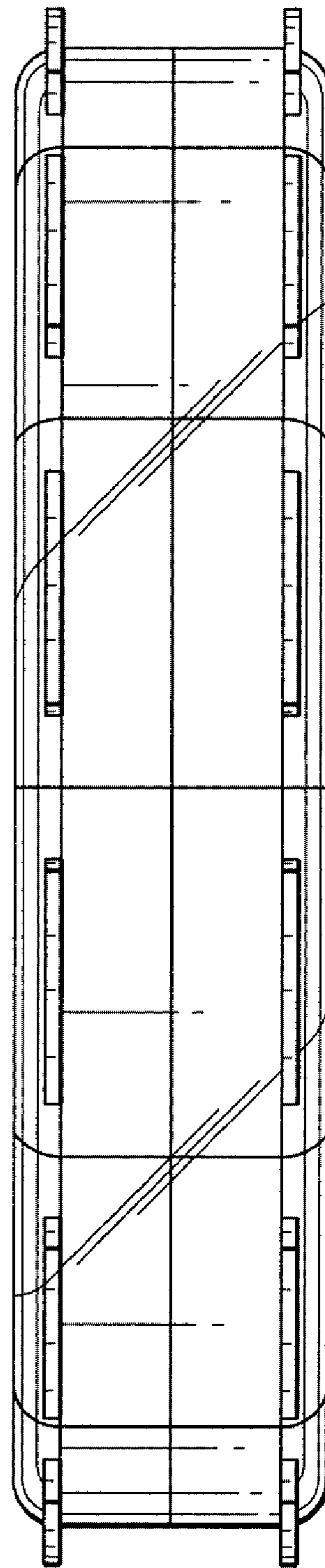


FIG. 7