



US00D563094S

(12) **United States Design Patent**  
**Meyer-Hayoz**

(10) **Patent No.:** **US D563,094 S**

(45) **Date of Patent:** **\*\* Mar. 4, 2008**

(54) **RECEPTACLE FOR HOUSING AND  
DISPLAYING DENTAL PROSTHESES**

(75) Inventor: **Wolfgang Meyer-Hayoz**, Constance  
(DE)

(73) Assignee: **Vita Zahnfabrik H. Rauter GmbH &  
Co. KG**, Saackingen (DE)

(\*\*) Term: **14 Years**

(21) Appl. No.: **29/274,840**

(22) Filed: **May 31, 2007**

(30) **Foreign Application Priority Data**

Dec. 1, 2006 (EP) ..... 000631387

(51) **LOC (8) Cl.** ..... **03-01**

(52) **U.S. Cl.** ..... **D3/203.1**

(58) **Field of Classification Search** ..... D3/201-205,  
D3/294, 299, 900, 272-273, 276, 301; D19/26;  
206/530-538; D6/631-634; D24/227, 299;  
D9/730

See application file for complete search history.

(56) **References Cited**

**U.S. PATENT DOCUMENTS**

D280,015 S \* 8/1985 Sarajian ..... D24/227

D309,527 S \* 7/1990 Singer ..... D3/203.1  
D324,952 S \* 3/1992 Berland ..... D3/203.1  
D499,551 S \* 12/2004 Lederer et al. .... D3/299  
D543,700 S \* 6/2007 Parker et al. .... D3/294  
D548,954 S \* 8/2007 Andersen et al. .... D3/203.1

\* cited by examiner

*Primary Examiner*—Catherine R. Oliver

(74) *Attorney, Agent, or Firm*—Diller, Ramik & Wight

(57) **CLAIM**

The ornamental design for a receptacle for housing and displaying dental prostheses, as shown and described.

**DESCRIPTION**

FIG. 1 is a top front perspective view of the receptacle for housing and displaying dental prostheses, showing my new design;

FIG. 2 is a top rear perspective view;

FIG. 3 is a top perspective view of the open receptacle;

FIG. 4 is a front elevational view;

FIG. 5 is a rear elevational view; and,

FIG. 6 is a top plan view with the unillustrated opposite bottom being identical thereto.

**1 Claim, 3 Drawing Sheets**



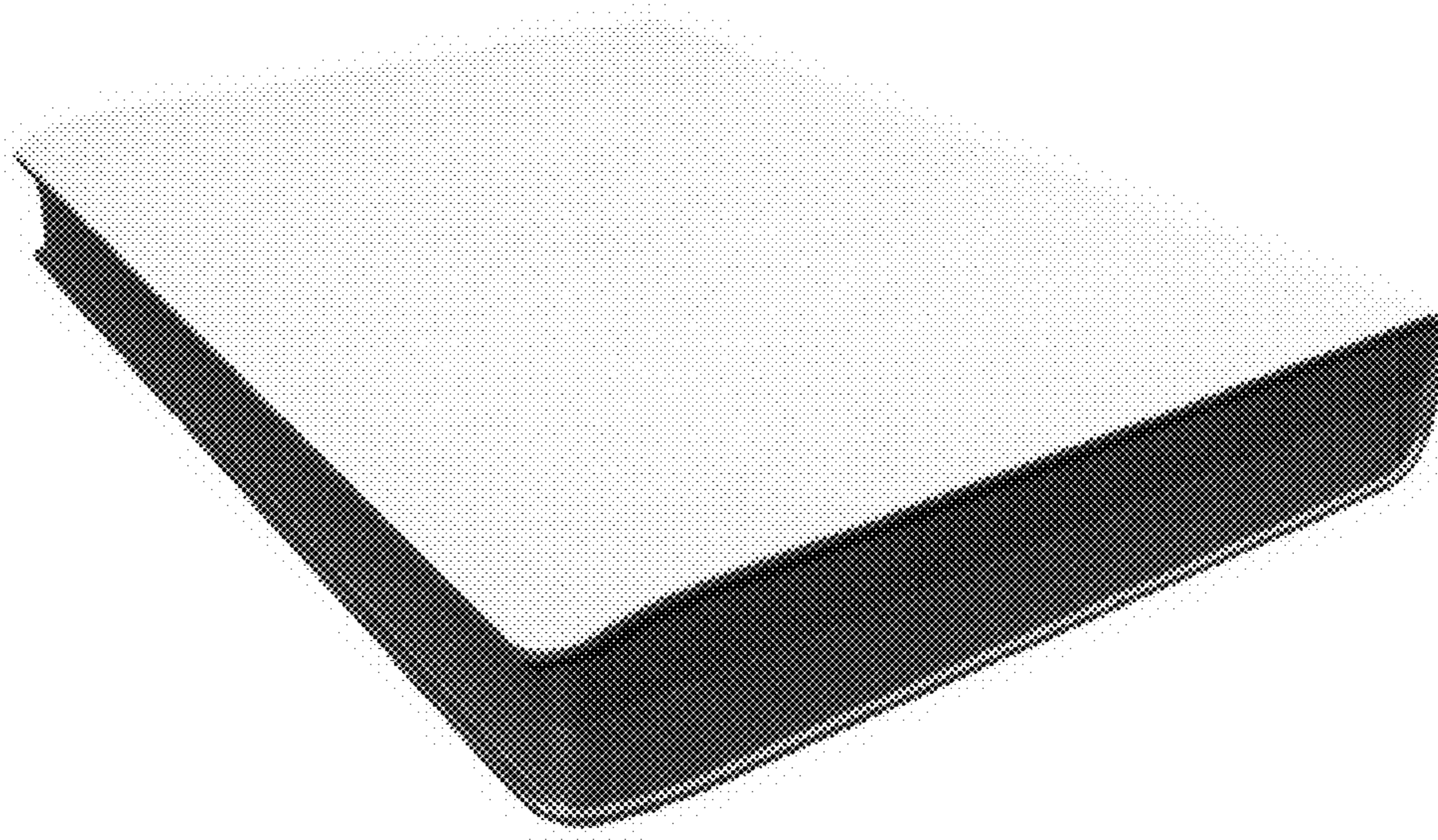


FIGURE 1



FIGURE 2

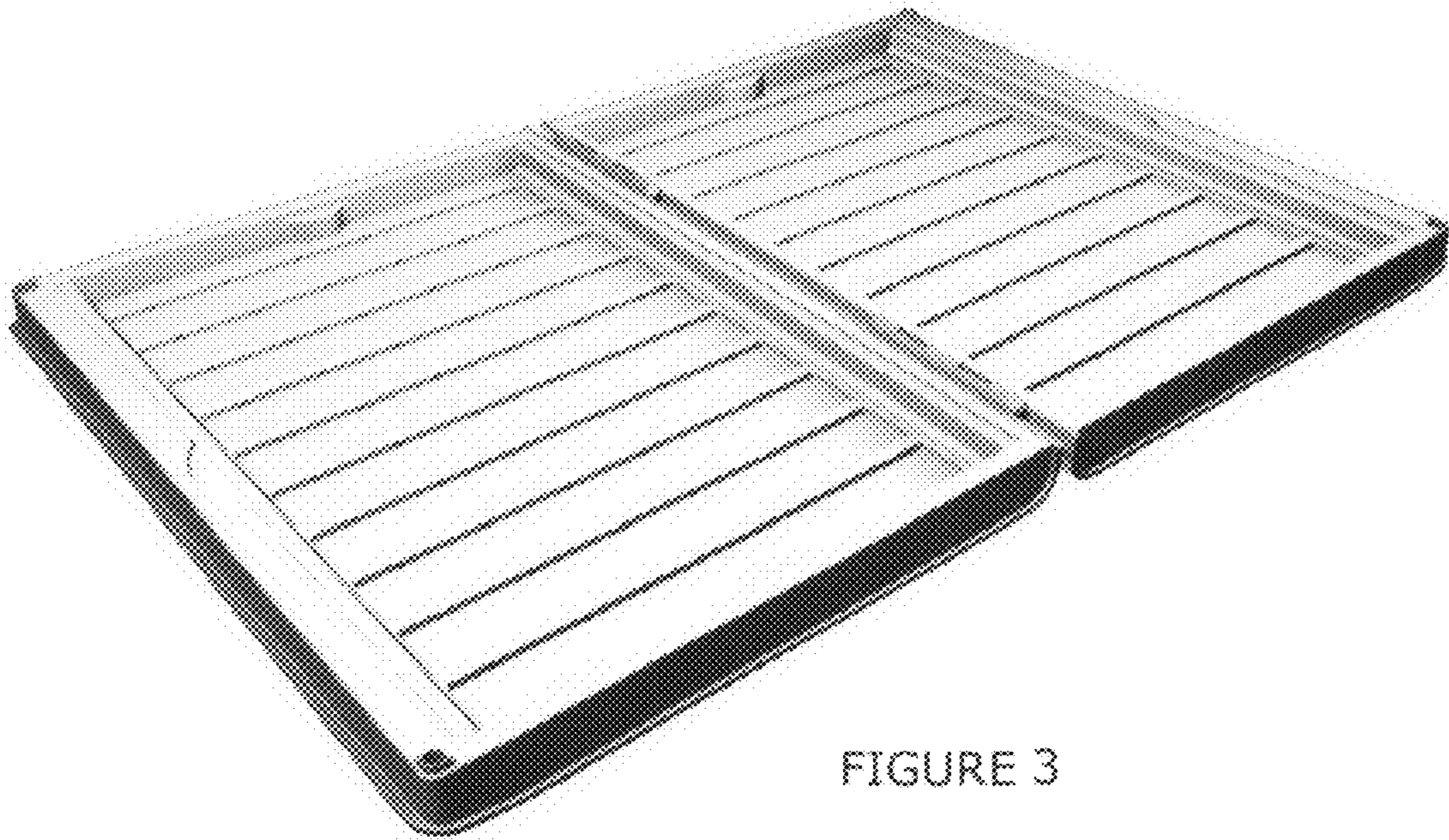


FIGURE 3

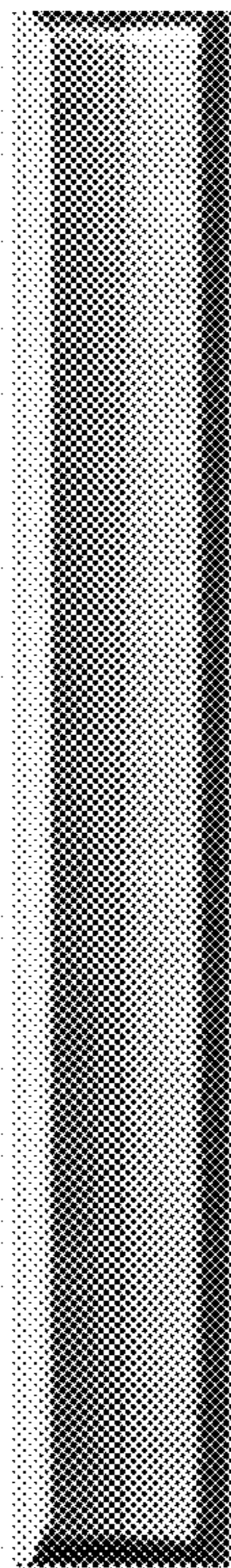


FIGURE 4

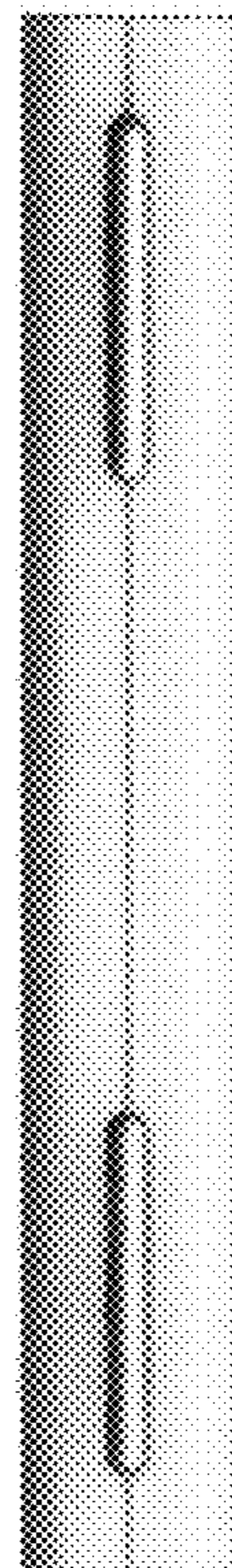


FIGURE 5

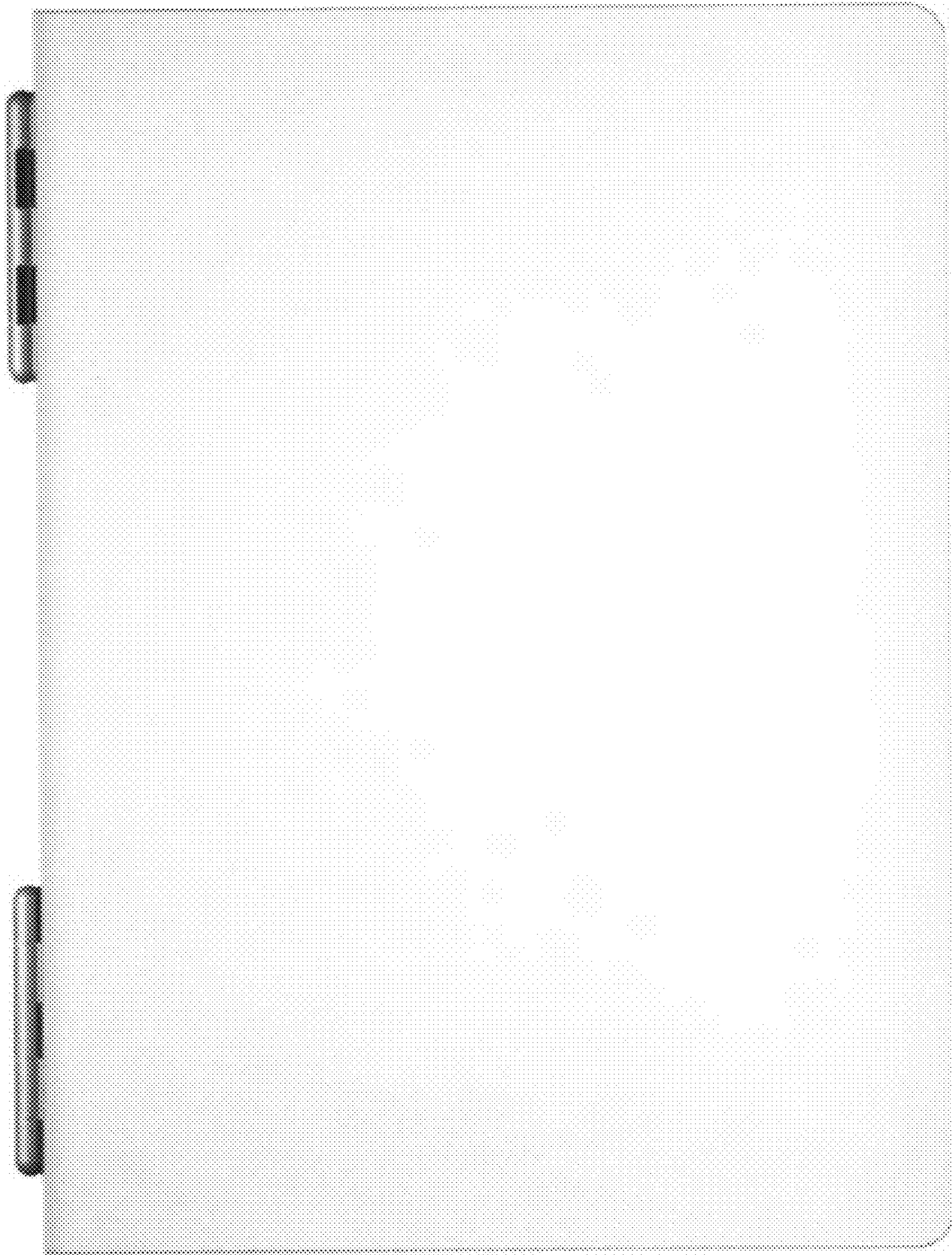


FIGURE 6