



US00D563093S

(12) **United States Design Patent**  
**Nussberger**

(10) **Patent No.:** **US D563,093 S**

(45) **Date of Patent:** **\*\* Mar. 4, 2008**

(54) **ENCLOSURE FOR PORTABLE  
ELECTRONIC EQUIPMENT**

D539,530 S \* 4/2007 Sanderson et al. .... D3/218  
D547,544 S \* 7/2007 Hussaini et al. .... D3/201  
2007/0184781 A1\* 8/2007 Huskinson ..... 455/42

(75) Inventor: **Martin Nussberger**, Munich (DE)

(73) Assignee: **Odenwalder Kunststoffwerke  
Gehauesysteme GmbH**,  
Buchen/Odenwald (DE)

\* cited by examiner

*Primary Examiner*—Catherine R. Oliver

(74) *Attorney, Agent, or Firm*—Russell D. Culbertson; The  
Culbertson Group, P.C.

(\*\*) Term: **14 Years**

(21) Appl. No.: **29/257,154**

(57) **CLAIM**

(22) Filed: **Mar. 30, 2006**

The ornamental design for an enclosure for portable elec-  
tronic equipment, as shown.

(30) **Foreign Application Priority Data**

Oct. 10, 2005 (EM) ..... 000413463

**DESCRIPTION**

(51) **LOC (8) Cl.** ..... **03-01**

(52) **U.S. Cl.** ..... **D3/201; D3/218**

(58) **Field of Classification Search** ..... D3/201,  
D3/218, 215, 226, 269, 272–273; 206/305,  
206/320; 455/90, 92, 42; 379/455; 224/901,  
224/904, 682–683; D14/496, 156, 138  
See application file for complete search history.

FIG. 1 is a top, side and front perspective view of the first  
embodiment of the enclosure for portable electronic equip-  
ment of the present invention;

FIG. 2 is a bottom, opposite side, and rear perspective view  
thereof;

FIG. 3 is a top, side and front perspective view of the second  
embodiment; and,

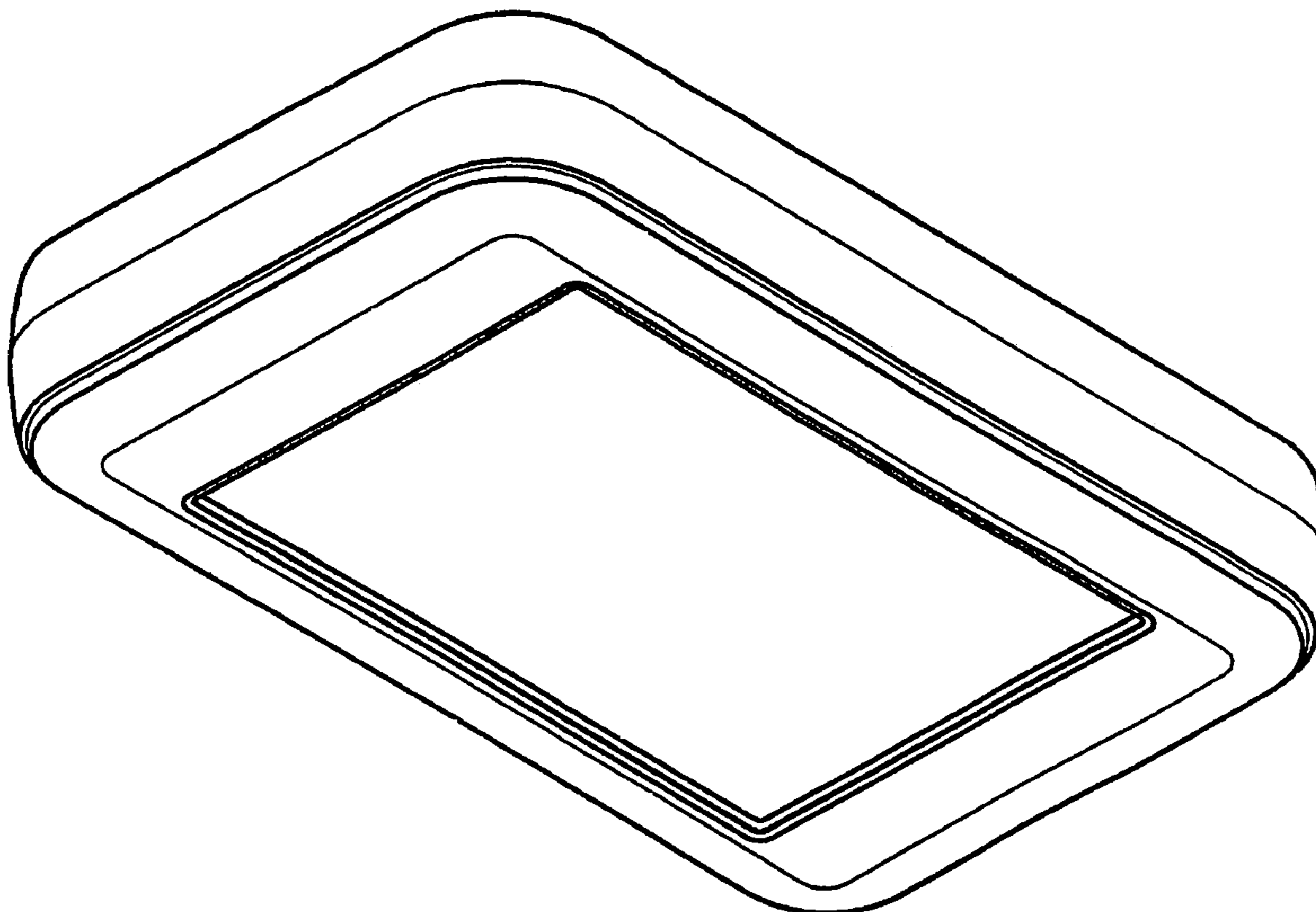
FIG. 4 is a bottom, opposite side, and rear perspective view  
thereof.

(56) **References Cited**

**U.S. PATENT DOCUMENTS**

D517,311 S \* 3/2006 Kim ..... D3/218

**1 Claim, 2 Drawing Sheets**



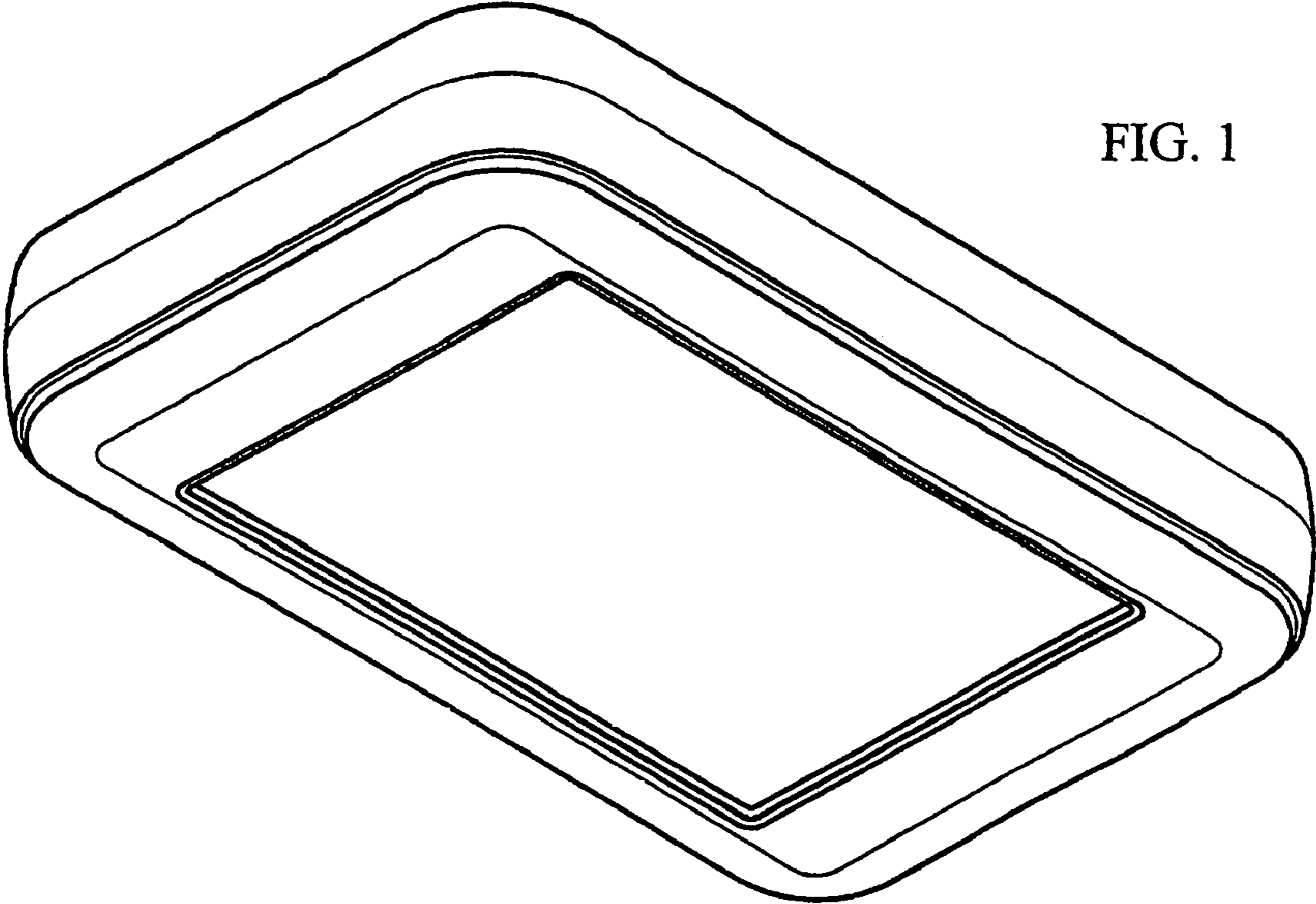


FIG. 1

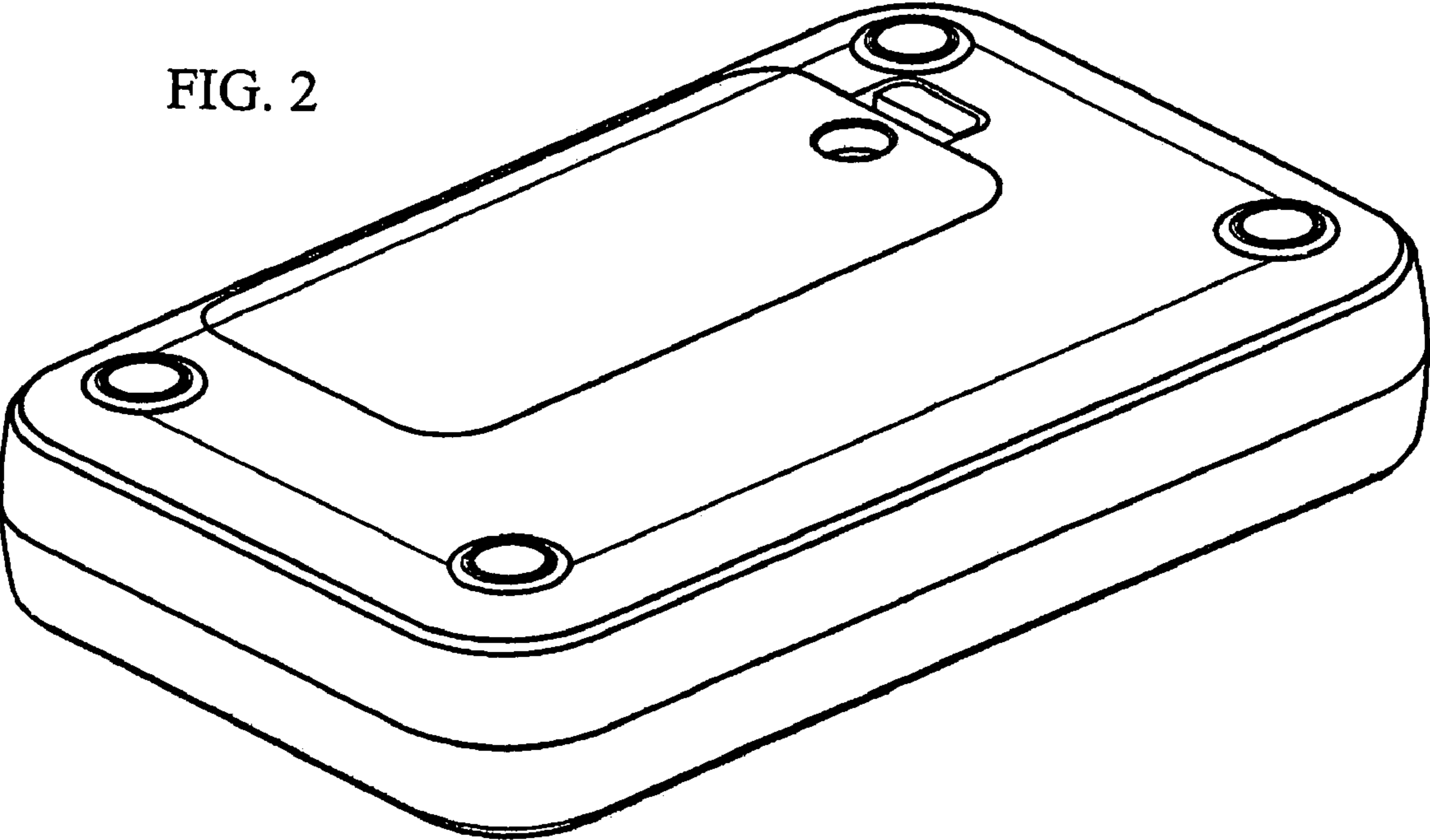


FIG. 2

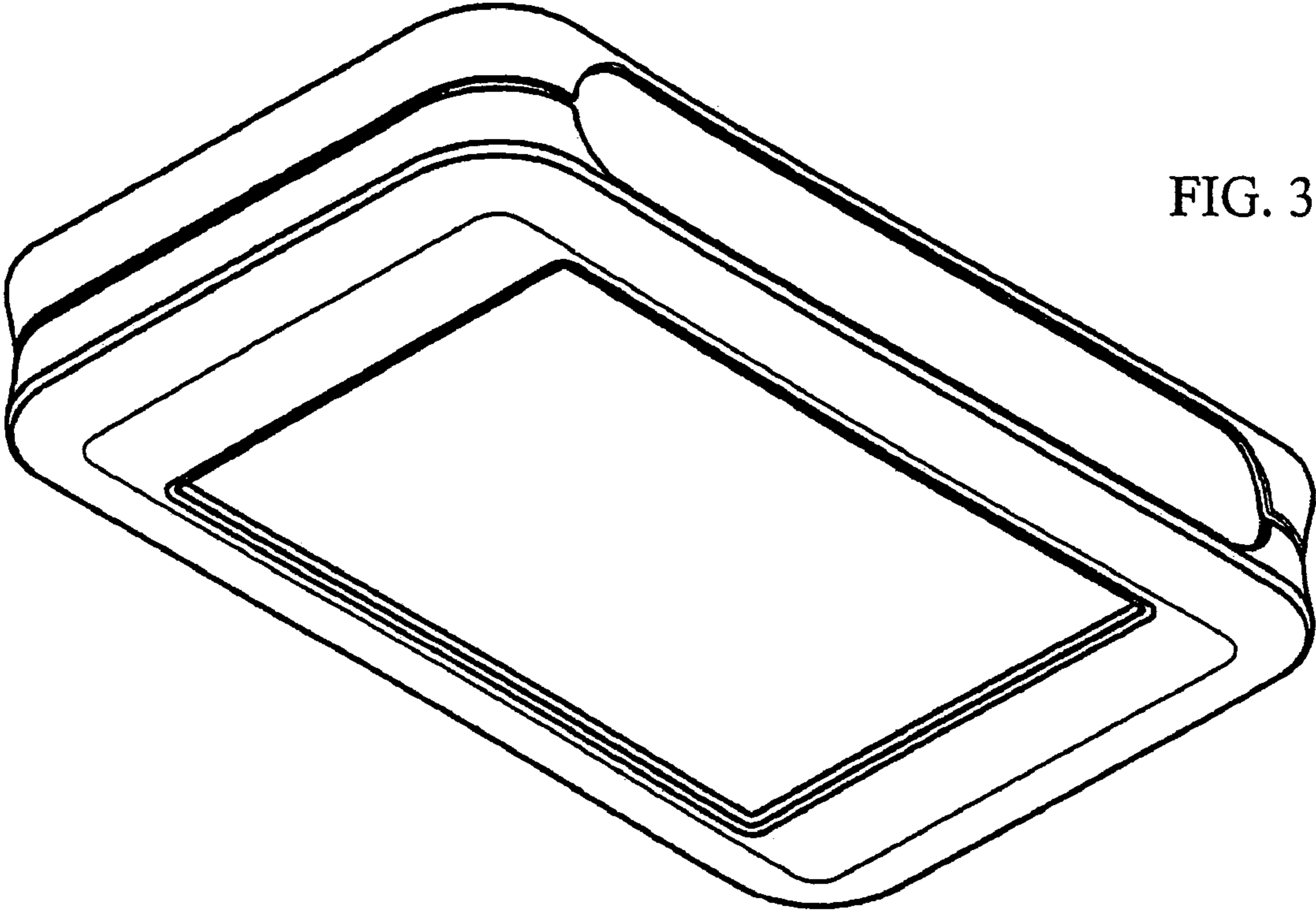


FIG. 3

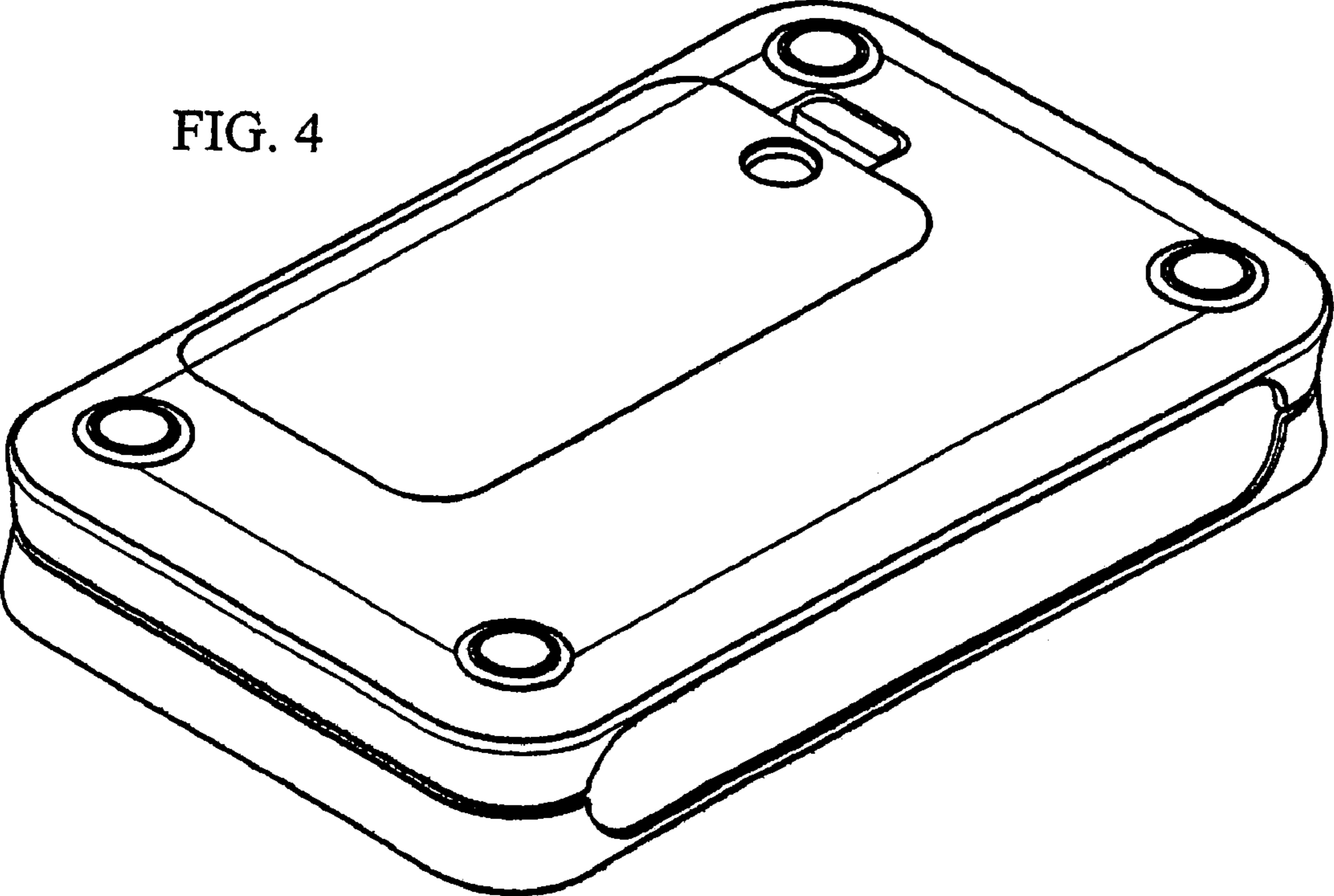


FIG. 4