



US00D563092S

(12) **United States Design Patent**
Wilkinson

(10) **Patent No.:** **US D563,092 S**

(45) **Date of Patent:** **** Mar. 4, 2008**

(54) **FOOTWEAR**

(75) Inventor: **Rebecca Wilkinson**, London (GB)

(73) Assignee: **J. Choo Limited**, London (GB)

(**) Term: **14 Years**

(21) Appl. No.: **29/269,412**

(22) Filed: **Nov. 30, 2006**

(30) **Foreign Application Priority Data**

Jun. 5, 2006 (EM) 000541768-0022
Jun. 5, 2006 (EM) 000541768-027

(51) **LOC (8) Cl.** **02-99**

(52) **U.S. Cl.** **D2/971**

(58) **Field of Classification Search** D2/916-918,
D2/925-945, 971; 36/1, 1.5, 11.5, 9 R
See application file for complete search history.

(56) **References Cited**

U.S. PATENT DOCUMENTS

D529,704 S * 10/2006 Choi D2/971
D530,898 S * 10/2006 Choi D2/971
D530,901 S * 10/2006 Choi D2/971
D534,713 S * 1/2007 Weitzman D2/929
D545,039 S * 6/2007 Weitzman et al. D2/971

OTHER PUBLICATIONS

J. Choo (Jersey) Limited, Jetty, shoe, Spring/Summer 2004 Catalogue.

* cited by examiner

Primary Examiner—Dominic Simone

(74) *Attorney, Agent, or Firm*—Fross Zelnick Lehrman & Zissu, P.C.; Lawrence E. Apolzon, Esq.

(57) **CLAIM**

The ornamental design for footwear, as shown and described.

DESCRIPTION

FIG. 1 is a front perspective view of a shoe showing my footwear design;

FIG. 2 is a left side view of the footwear shown in FIG. 1;

FIG. 3 is a right side view of the footwear shown in FIG. 1;

FIG. 4 is a front view of the footwear shown in FIG. 1;

FIG. 5 is a top view of the footwear shown in FIG. 1;

FIG. 6 is a front perspective view of an alternative embodiment of the footwear shown in FIG. 1;

FIG. 7 is a left view of the alternative embodiment of the footwear shown in FIG. 6;

FIG. 8 is a right side view of the alternative embodiment of the footwear shown in FIG. 6;

FIG. 9 is a front view of the alternative embodiment of the footwear shown in FIG. 6; and,

FIG. 10 is a top view of the alternative embodiment of the footwear shown in FIG. 6.

The broken line showing of the sole, heel, heel cap, buckle, buckle holes, straps and footbed is for illustrative purposes only and forms no part of the claimed design.

1 Claim, 10 Drawing Sheets

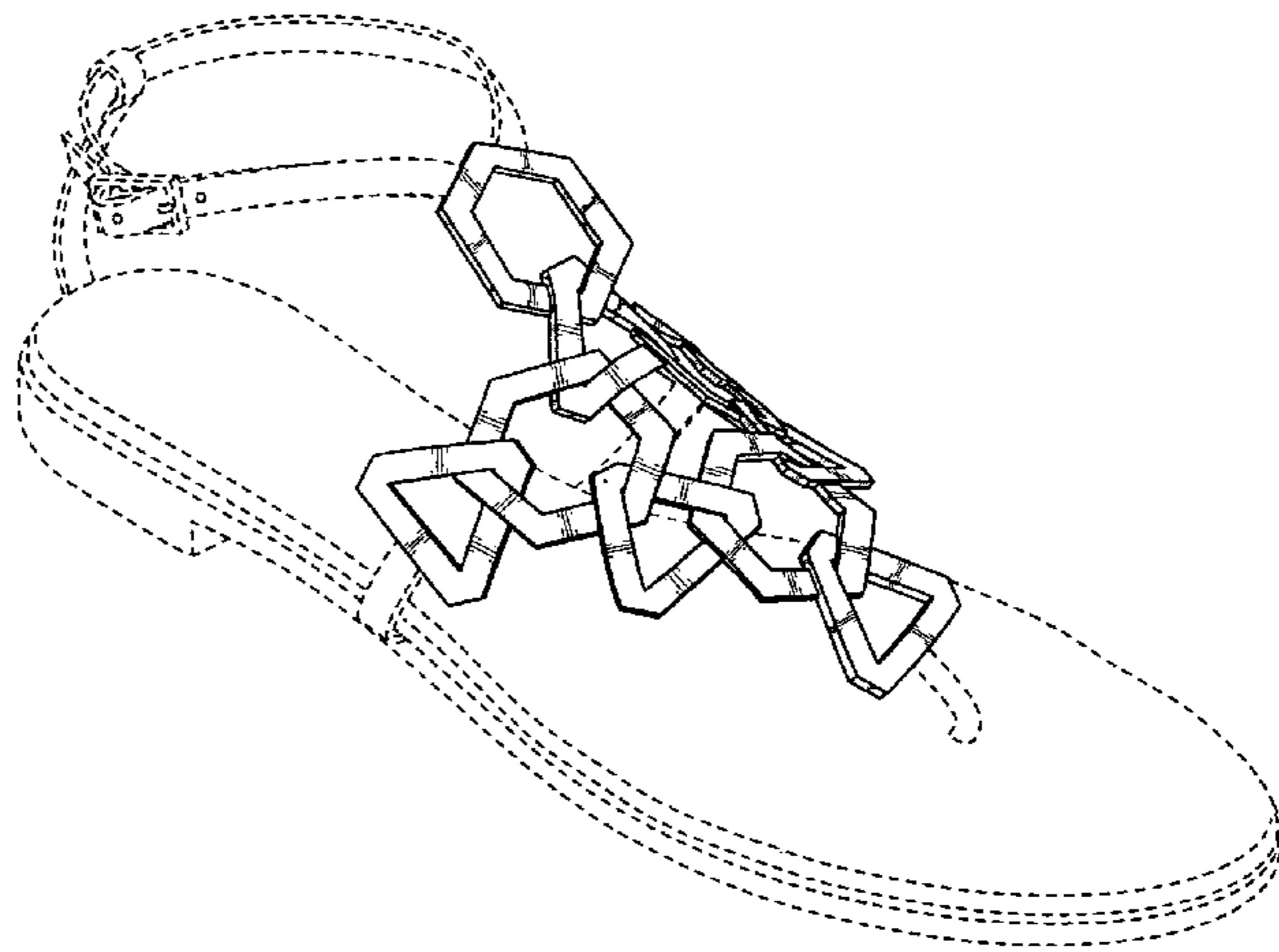




FIG. 1

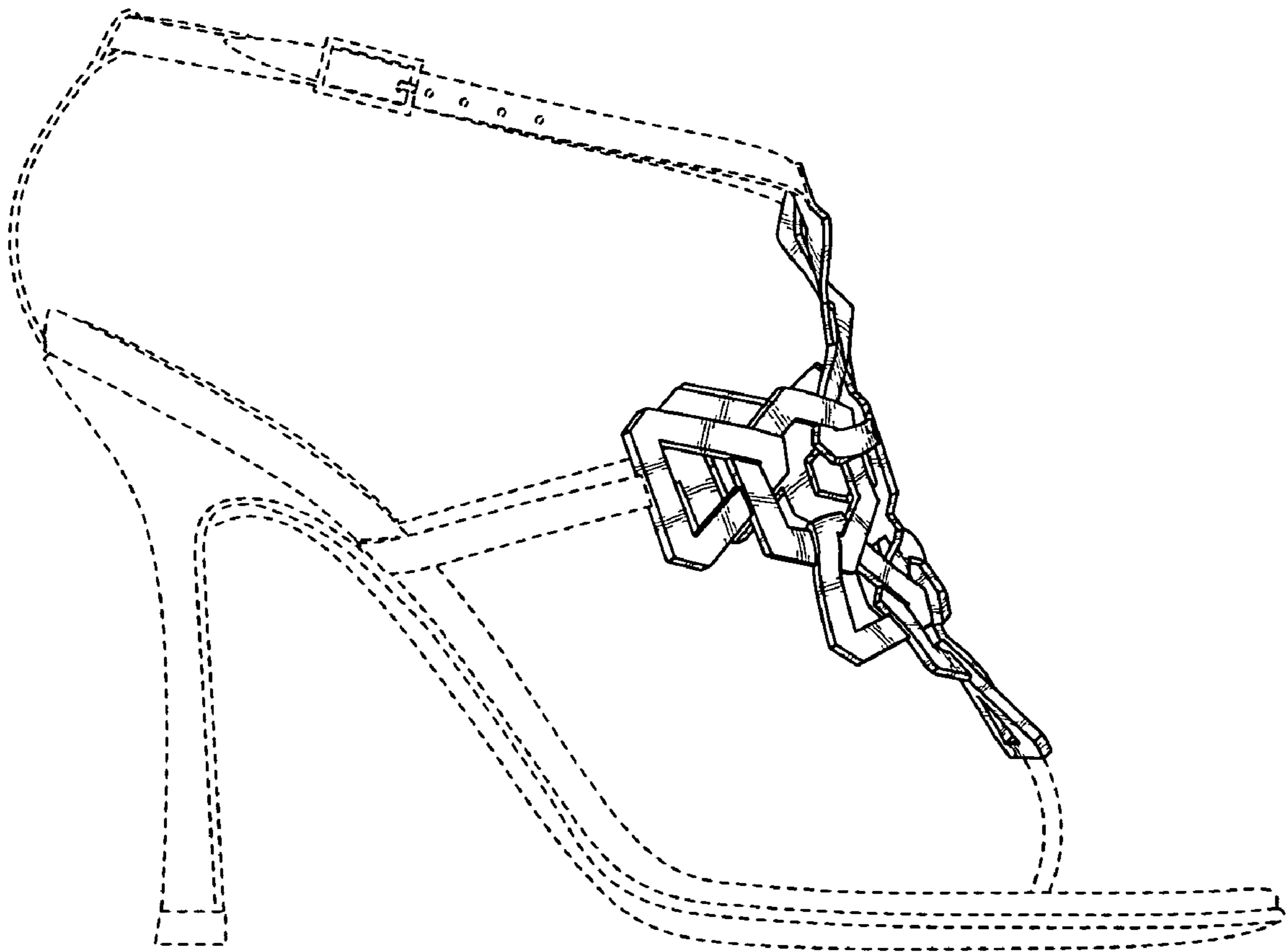


FIG. 2

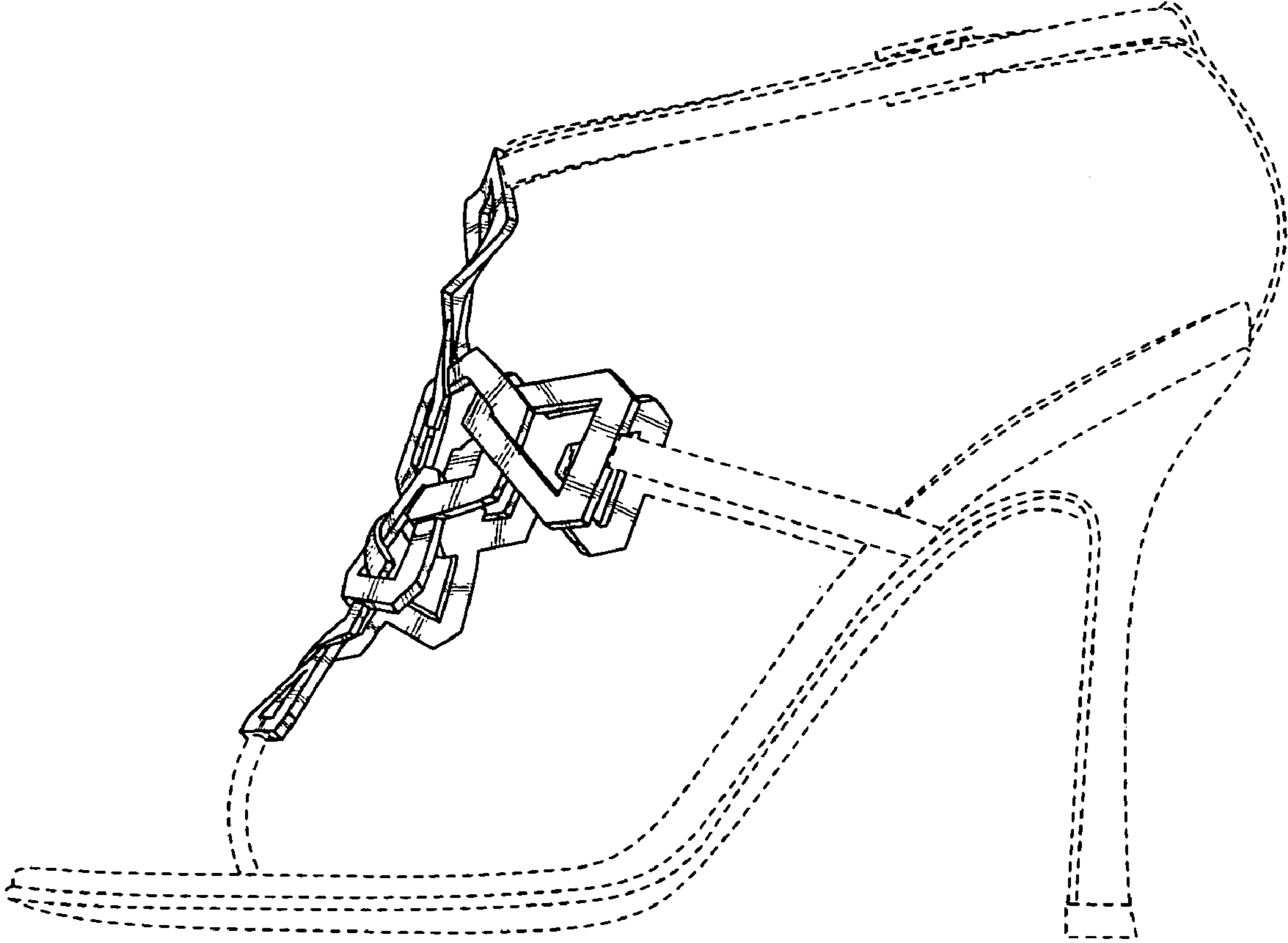


FIG. 3

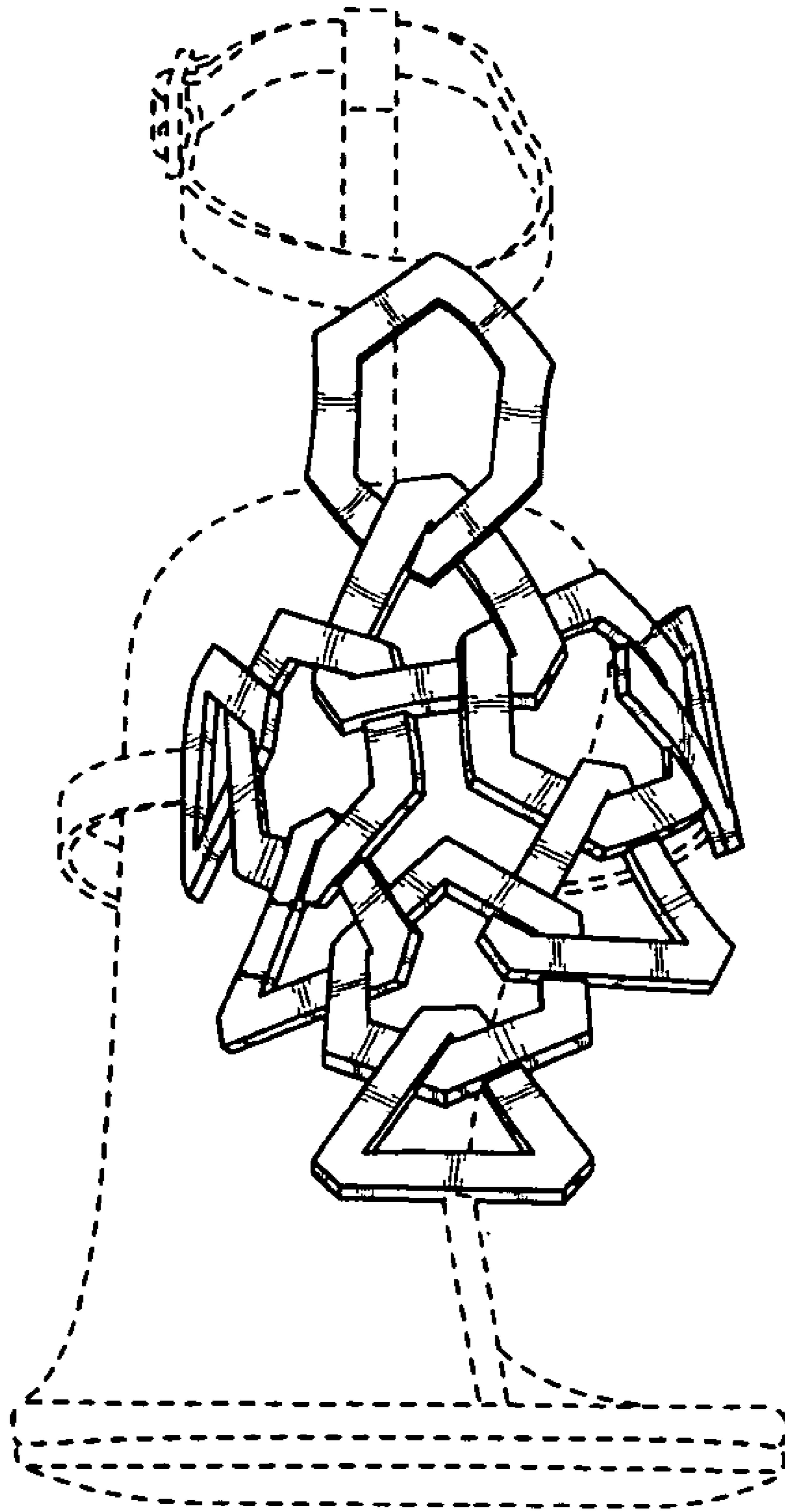


FIG. 4

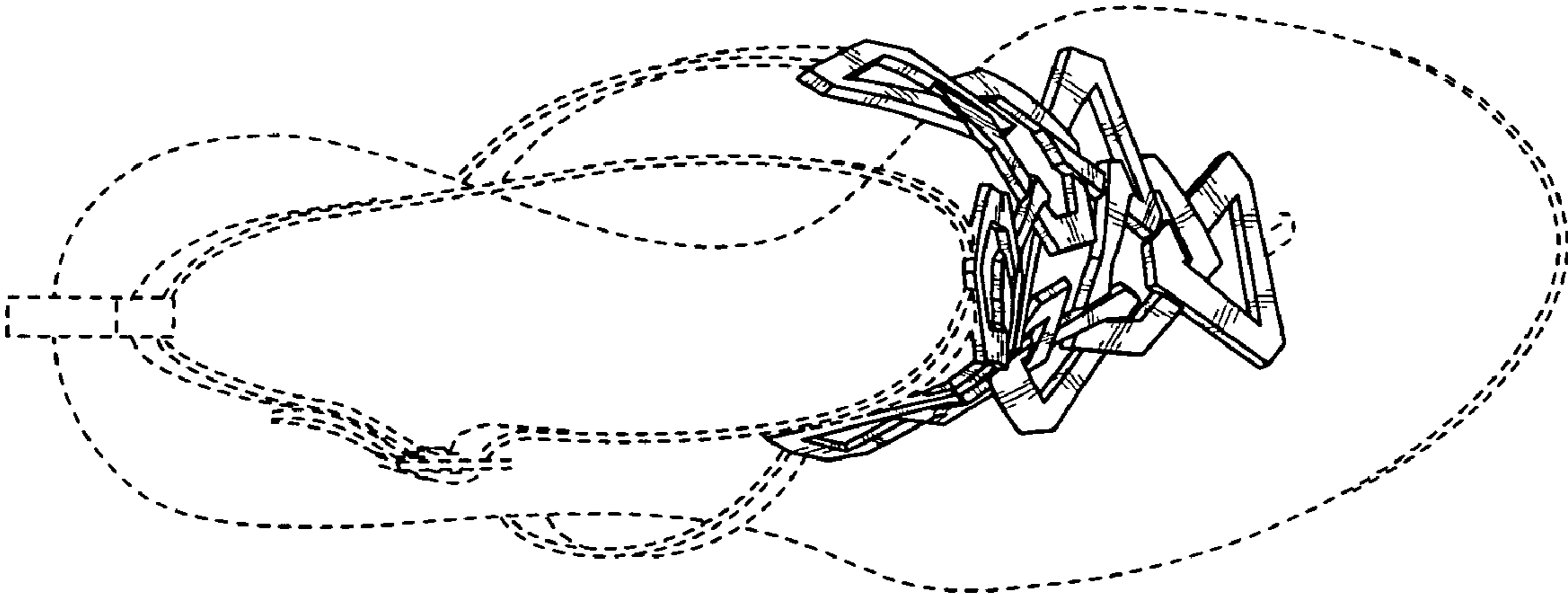


FIG. 5

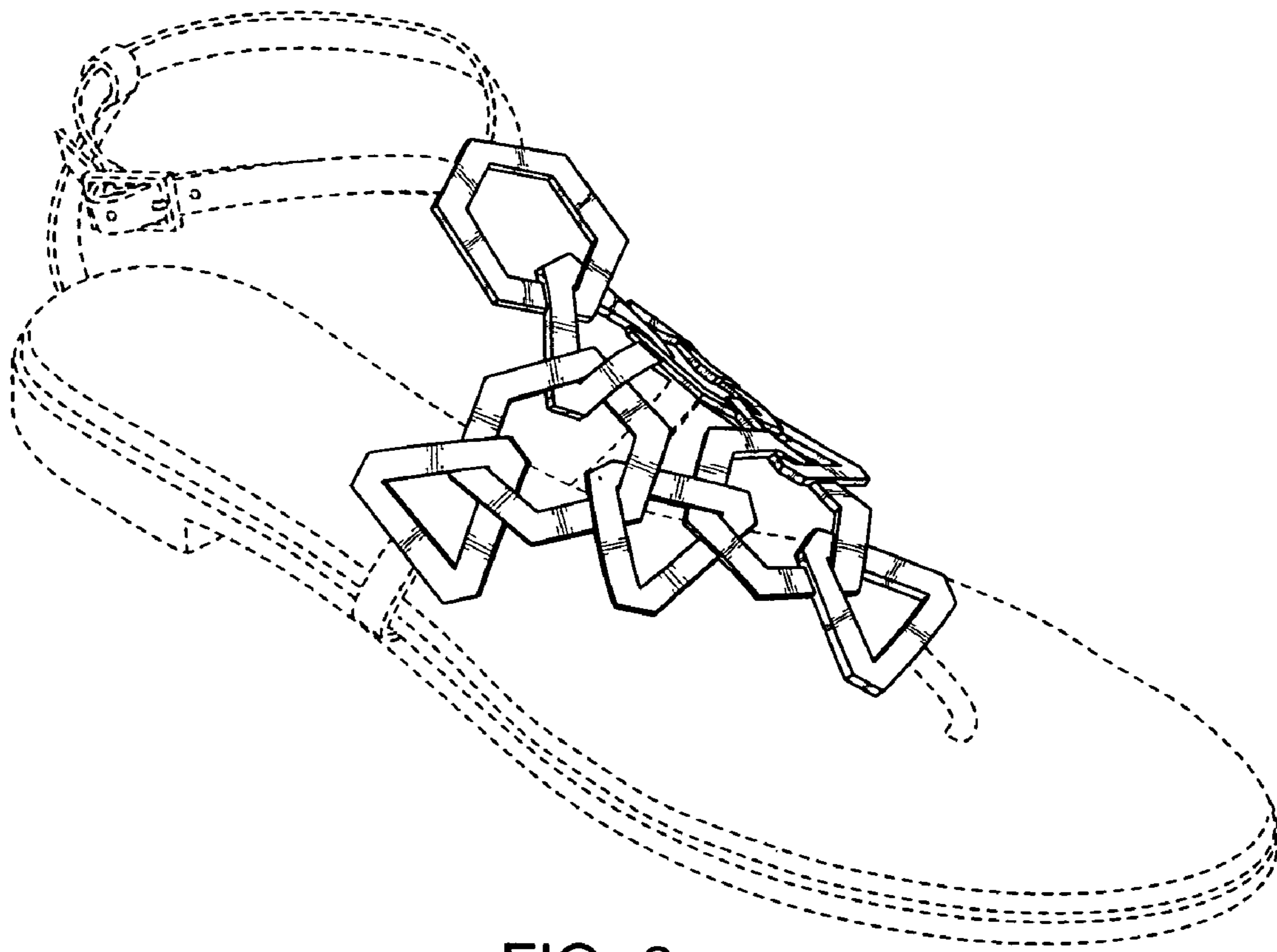


FIG. 6

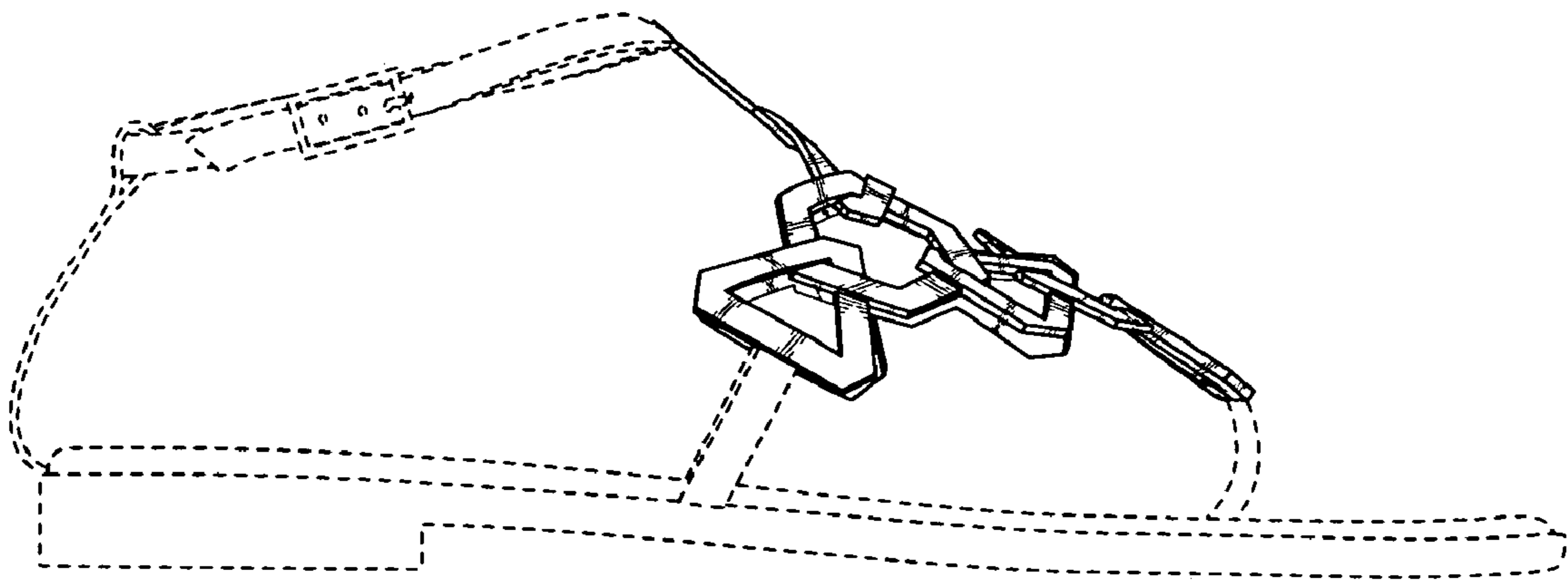


FIG. 7

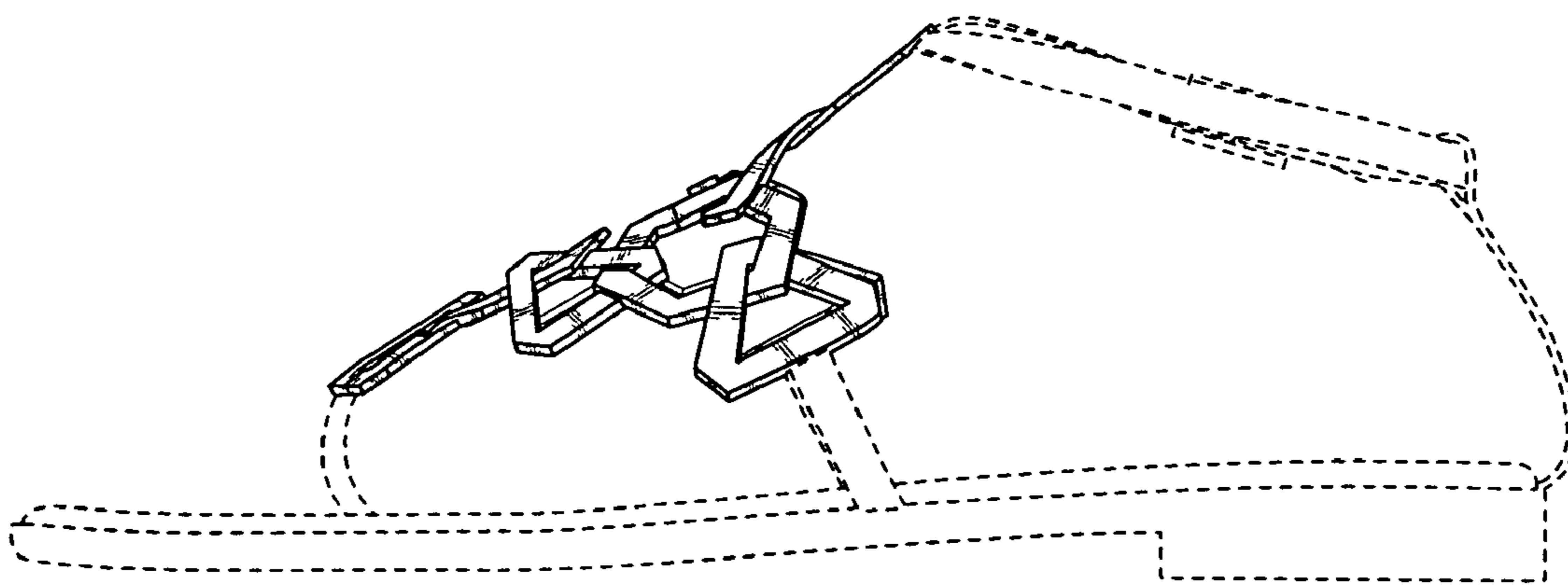


FIG. 8

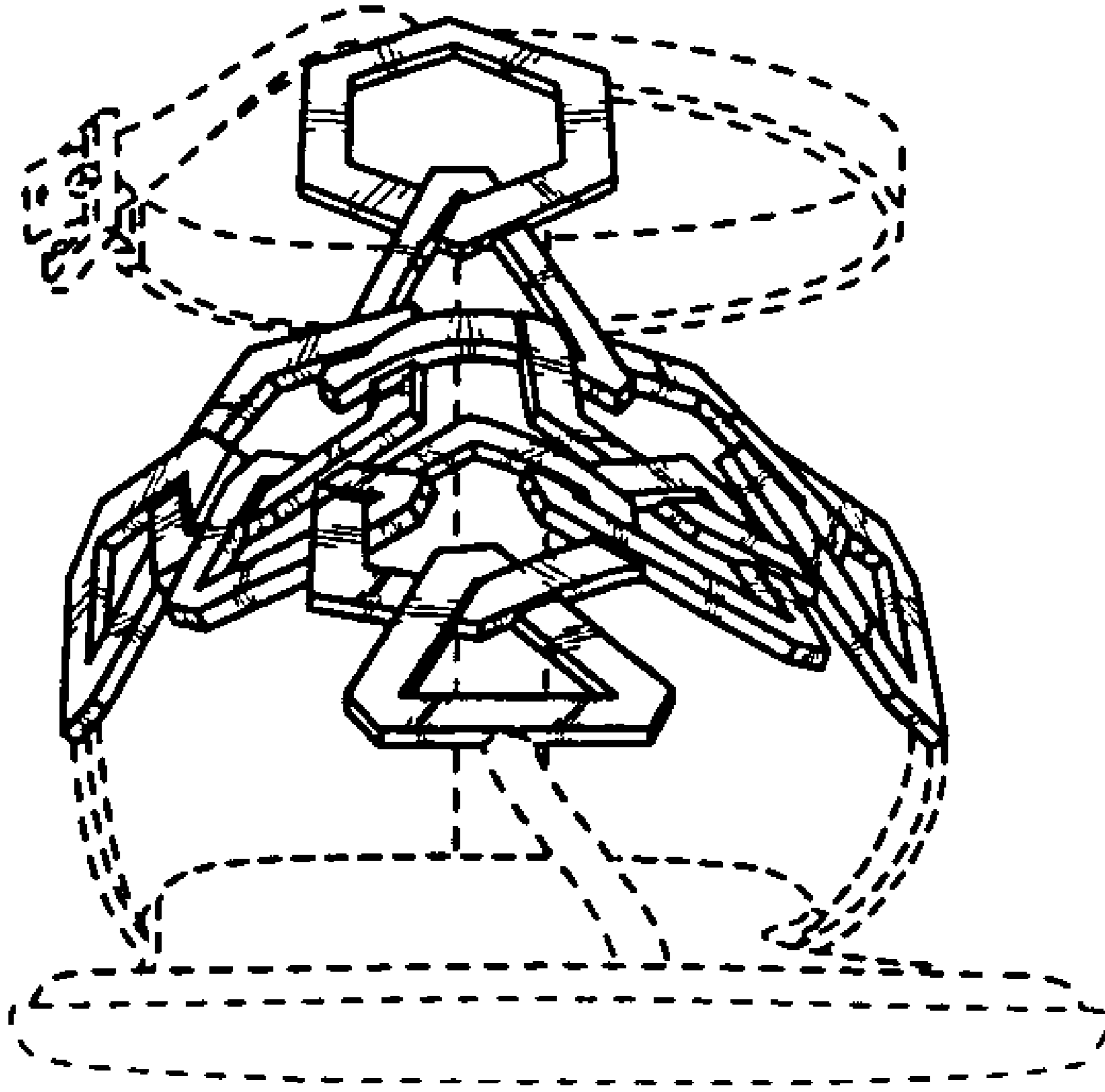


FIG. 9

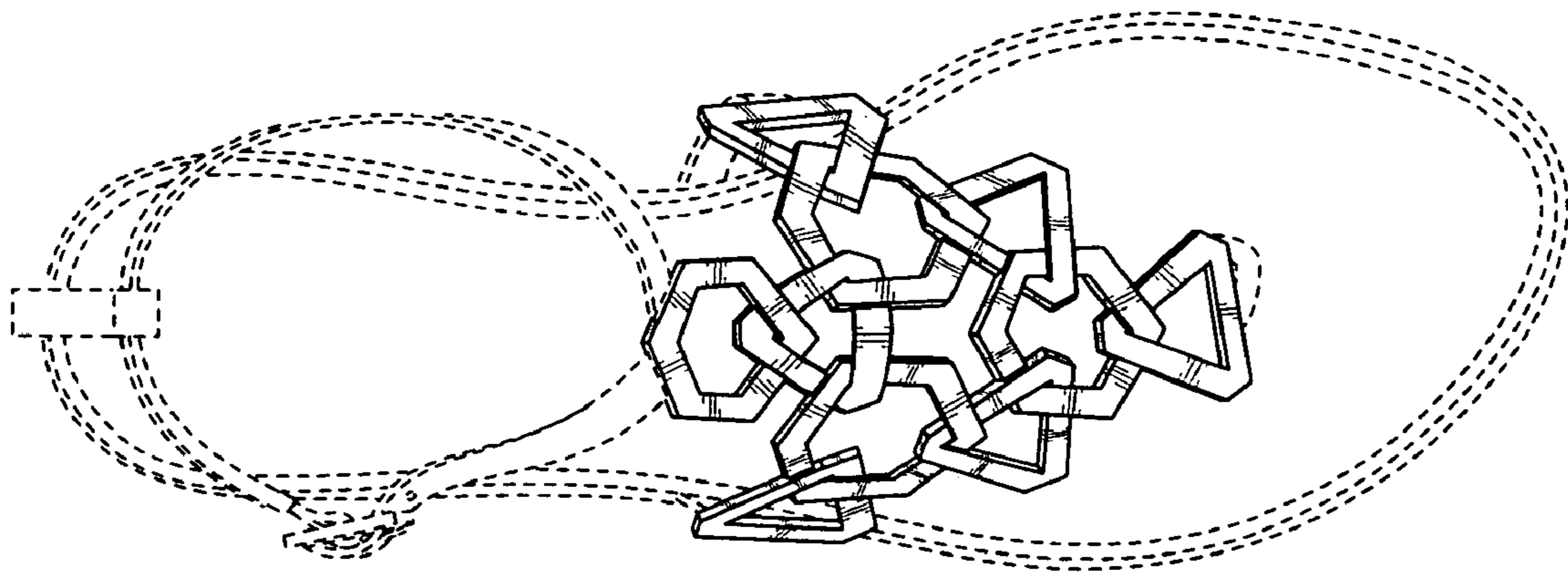


FIG. 10