



US00D563088S

(12) **United States Design Patent**
Belley et al.

(10) **Patent No.:** **US D563,088 S**
(45) **Date of Patent:** **** Mar. 4, 2008**

(54) **FOOTWEAR UPPER**

D504,558 S 5/2005 Le et al.
D513,838 S * 1/2006 Birkenstock D2/916

(75) Inventors: **Manon Belley**, Laval (CA); **Martin W. F. Dean**, St. Albans (GB)

OTHER PUBLICATIONS

(73) Assignee: **Wolverine World Wide, Inc.**,
Rockford, MI (US)

Merrell Fall 2005 Catalog, pp. 57, 73, 81.

(**) Term: **14 Years**

* cited by examiner

(21) Appl. No.: **29/260,042**

Primary Examiner—Stella M. Reid

Assistant Examiner—Rashida C. McCoy

(22) Filed: **May 18, 2006**

(74) *Attorney, Agent, or Firm*—Warner Norcross & Judd LLP

(51) **LOC (8) Cl.** **02-99**

(52) **U.S. Cl.** **D2/969; D2/916**

(58) **Field of Classification Search** D2/969,
D2/916, 917, 918, 919, 943, 946, 972, 977;
36/3 A, 8.1, 11.5, 45

See application file for complete search history.

(57) **CLAIM**

The ornamental design for footwear upper, as shown and described.

(56) **References Cited**

DESCRIPTION

U.S. PATENT DOCUMENTS

D143,814 S *	2/1946	Eisenberg	D2/918
D410,323 S *	6/1999	Birkenstock	D2/916
D421,330 S	3/2000	Lavertue et al.		
D437,677 S	2/2001	Matis et al.		
D444,936 S	7/2001	Matis et al.		
D451,663 S	12/2001	Haas		
D455,003 S	4/2002	Rogers et al.		
D461,301 S	8/2002	Urie		
D461,949 S	8/2002	Urie et al.		
D481,861 S *	11/2003	Robbins	D2/916
D486,628 S	2/2004	Le et al.		
D487,620 S	3/2004	Robbins		
D500,403 S	1/2005	Belley et al.		
D504,010 S	4/2005	Le et al.		
D504,557 S	5/2005	Bandini et al.		

FIG. 1 is a perspective view of the footwear upper embodying the new design;

FIG. 2 is an enlarged top plan view thereof;

FIG. 3 is a reduced left side view thereof;

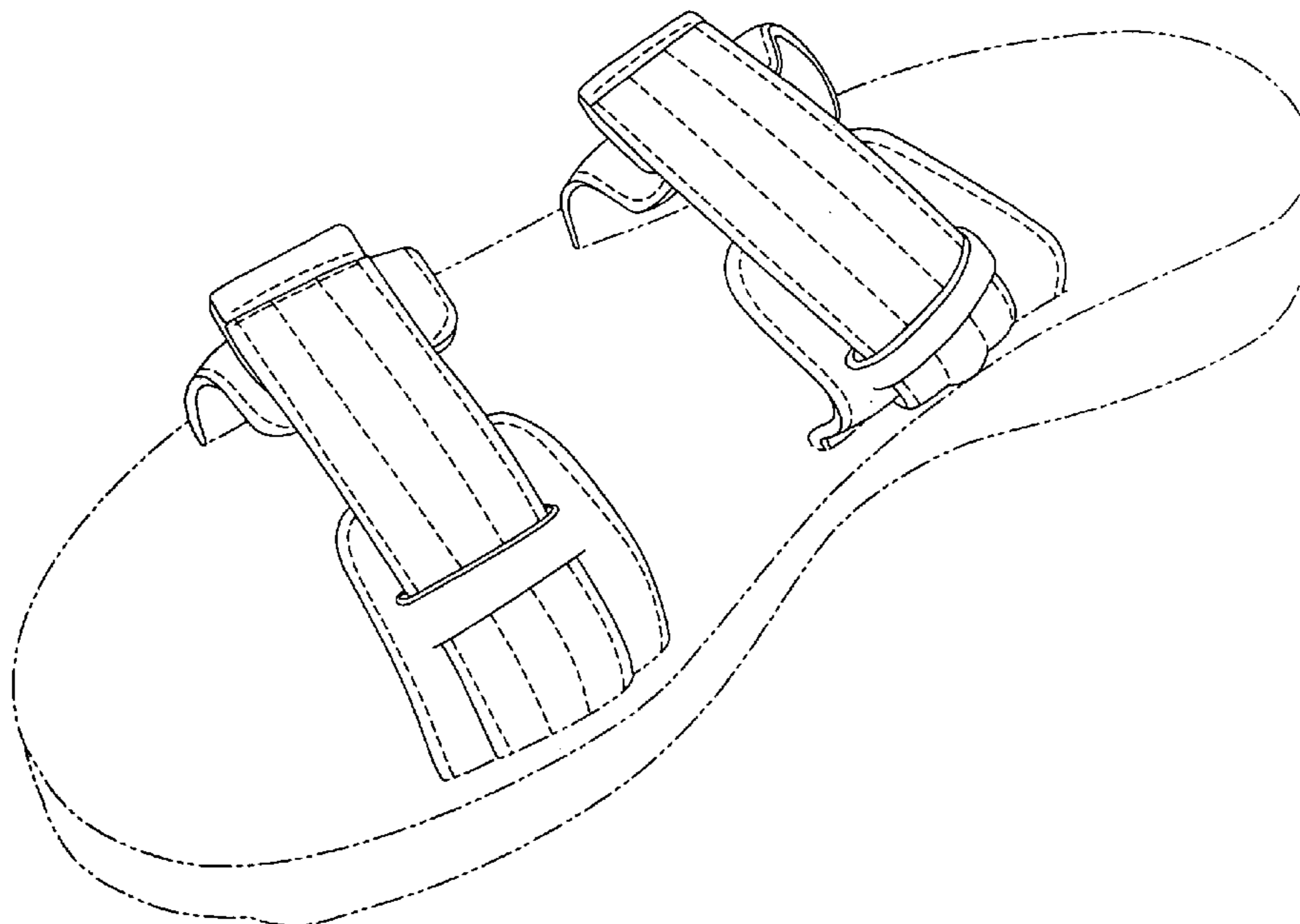
FIG. 4 is a reduced right side view thereof;

FIG. 5 is an enlarged front view thereof; and,

FIG. 6 is an enlarged rear view thereof.

FIGS. 1–6 show features of an article of footwear in phantom lines. These features are shown for environmental purposes and do not form any part of the claimed design. Further, the phantom lines immediately adjacent the solid-line portions of the design form the boundary of the design, with the phantom lines forming no part of the claimed design.

1 Claim, 4 Drawing Sheets



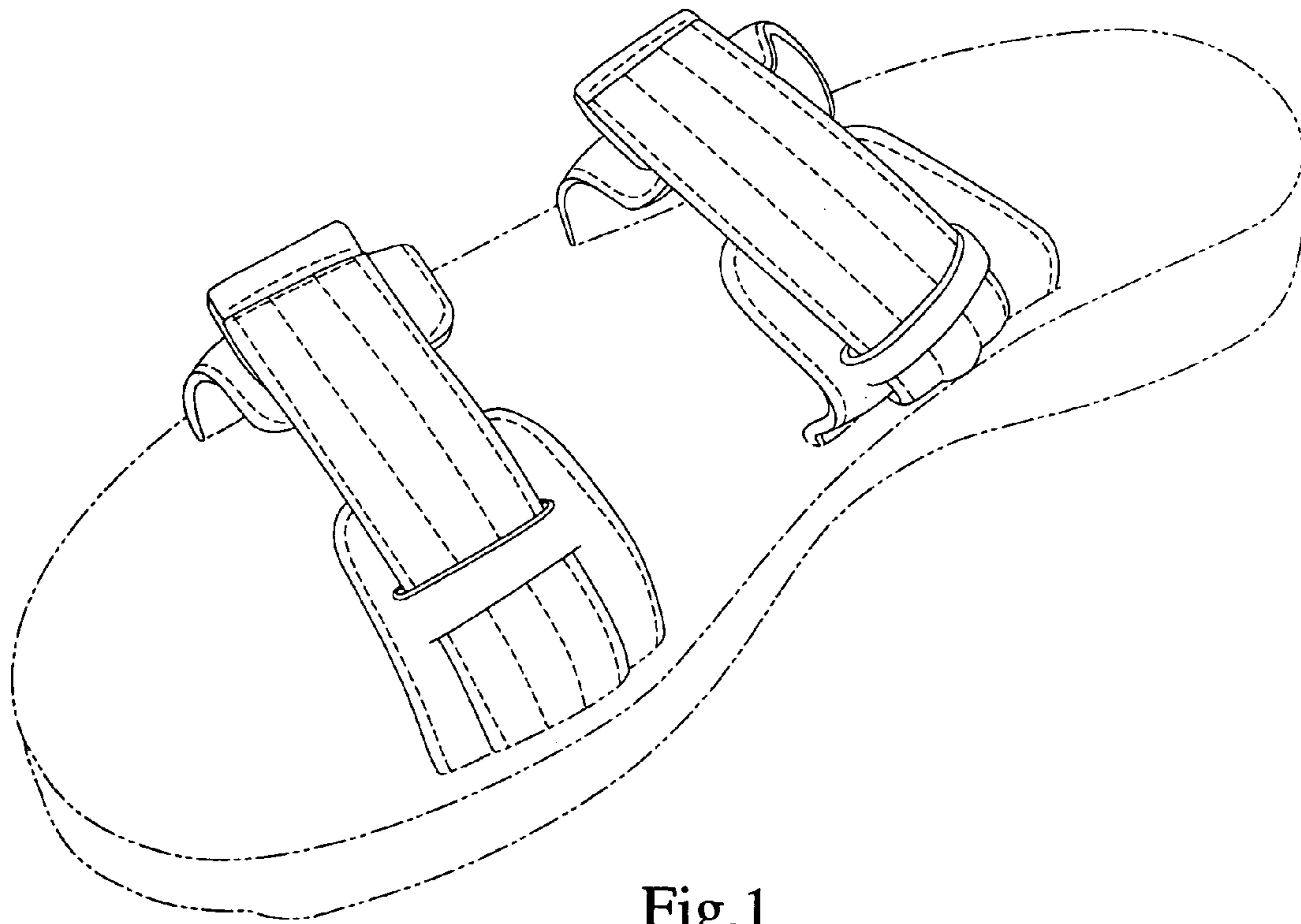


Fig. 1

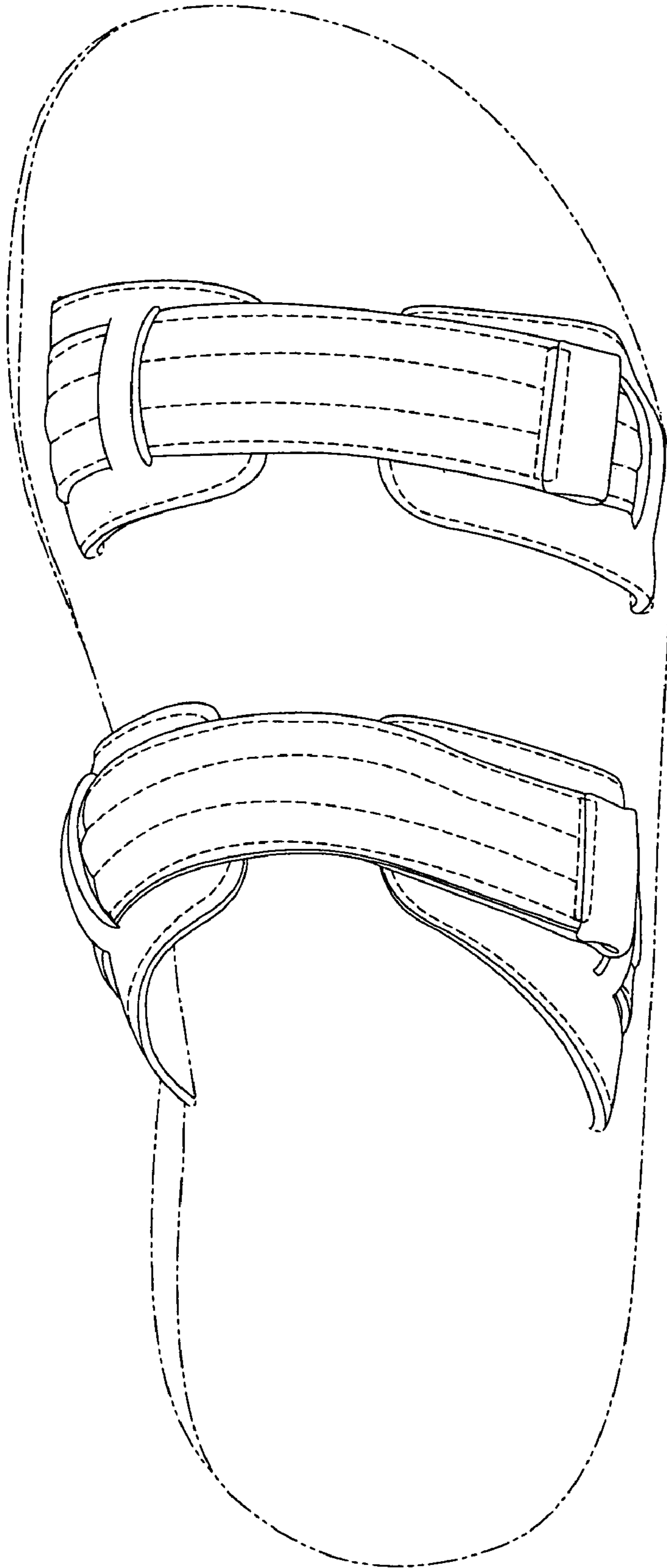


Fig.2

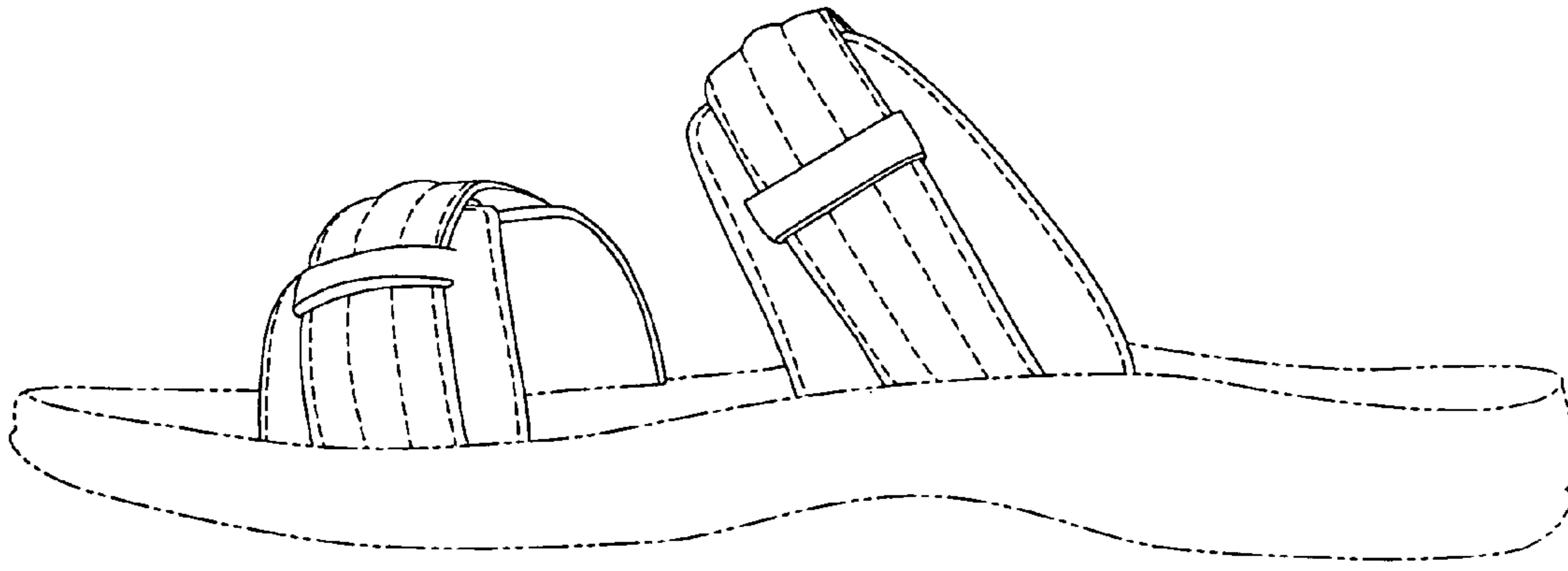


Fig.3

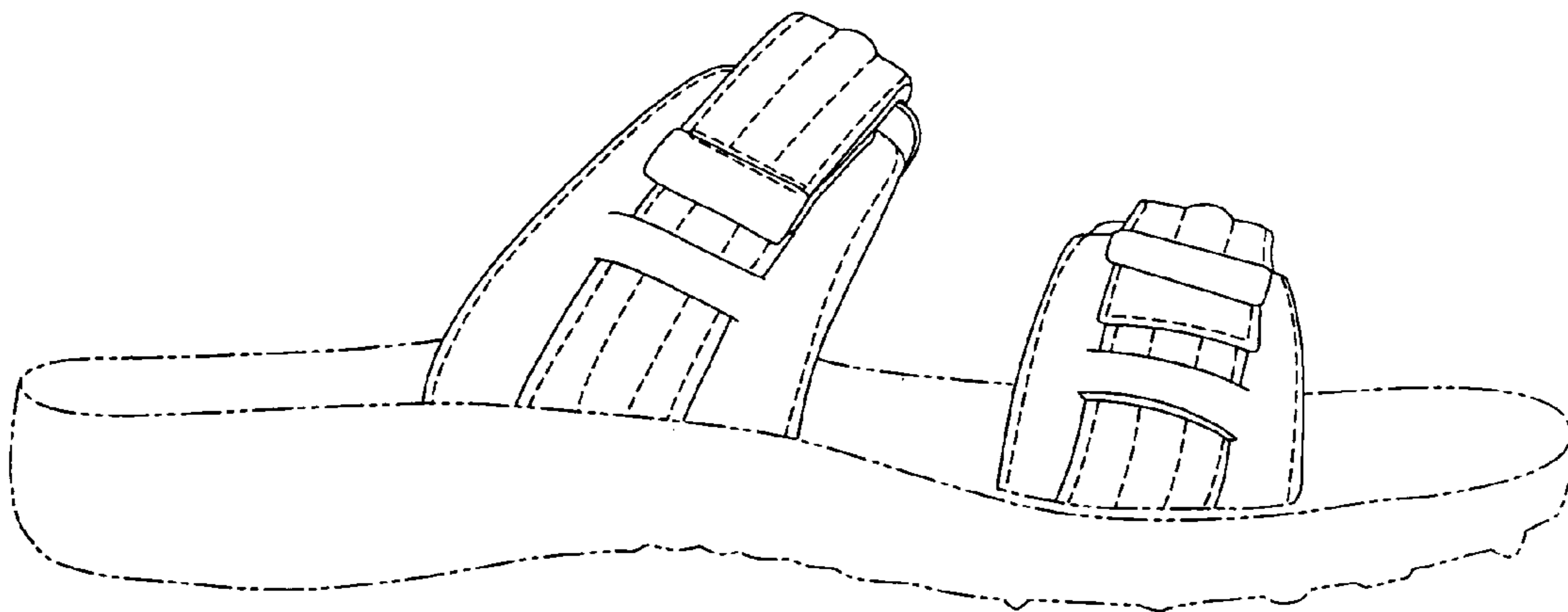


Fig.4

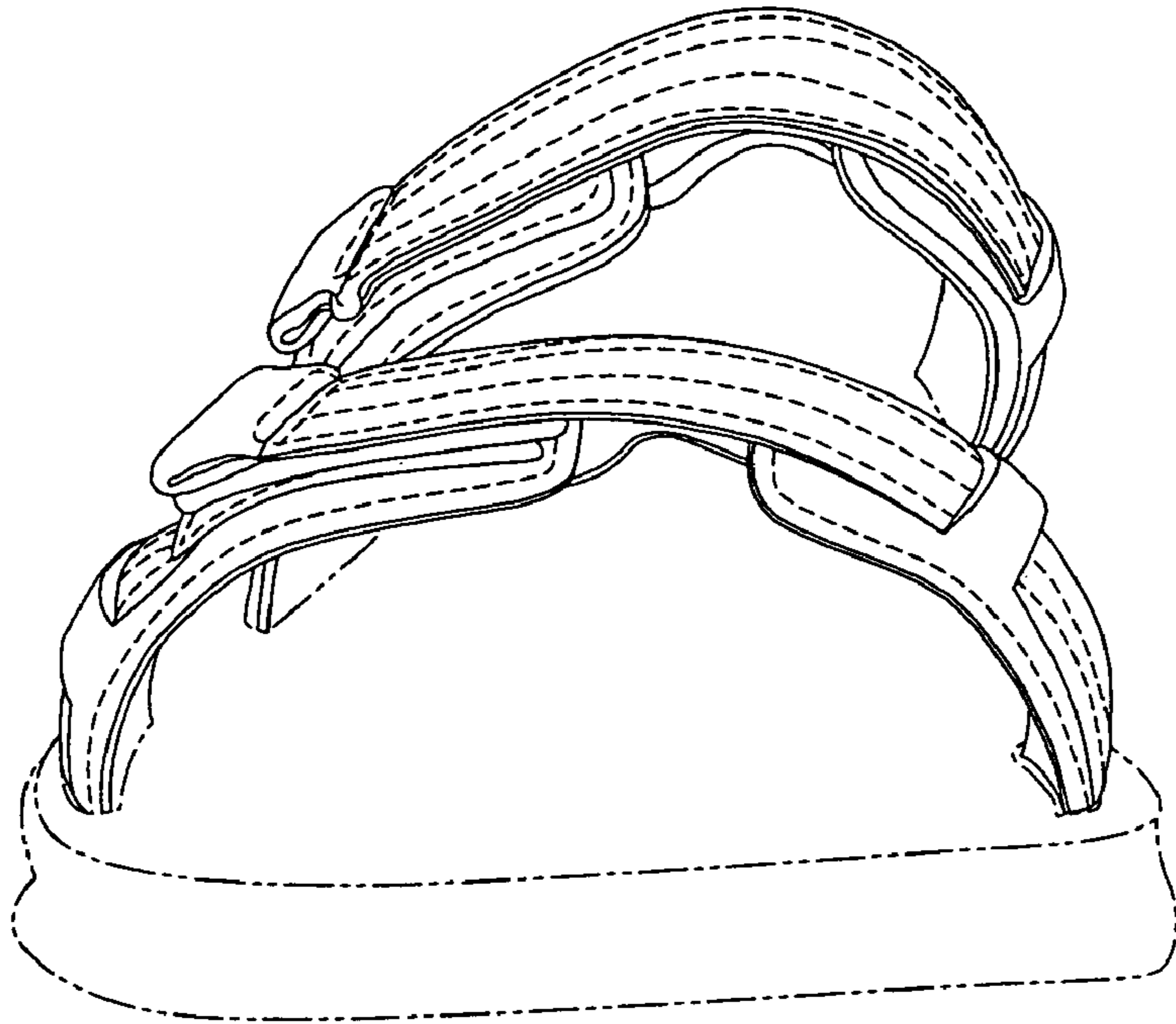


Fig.5

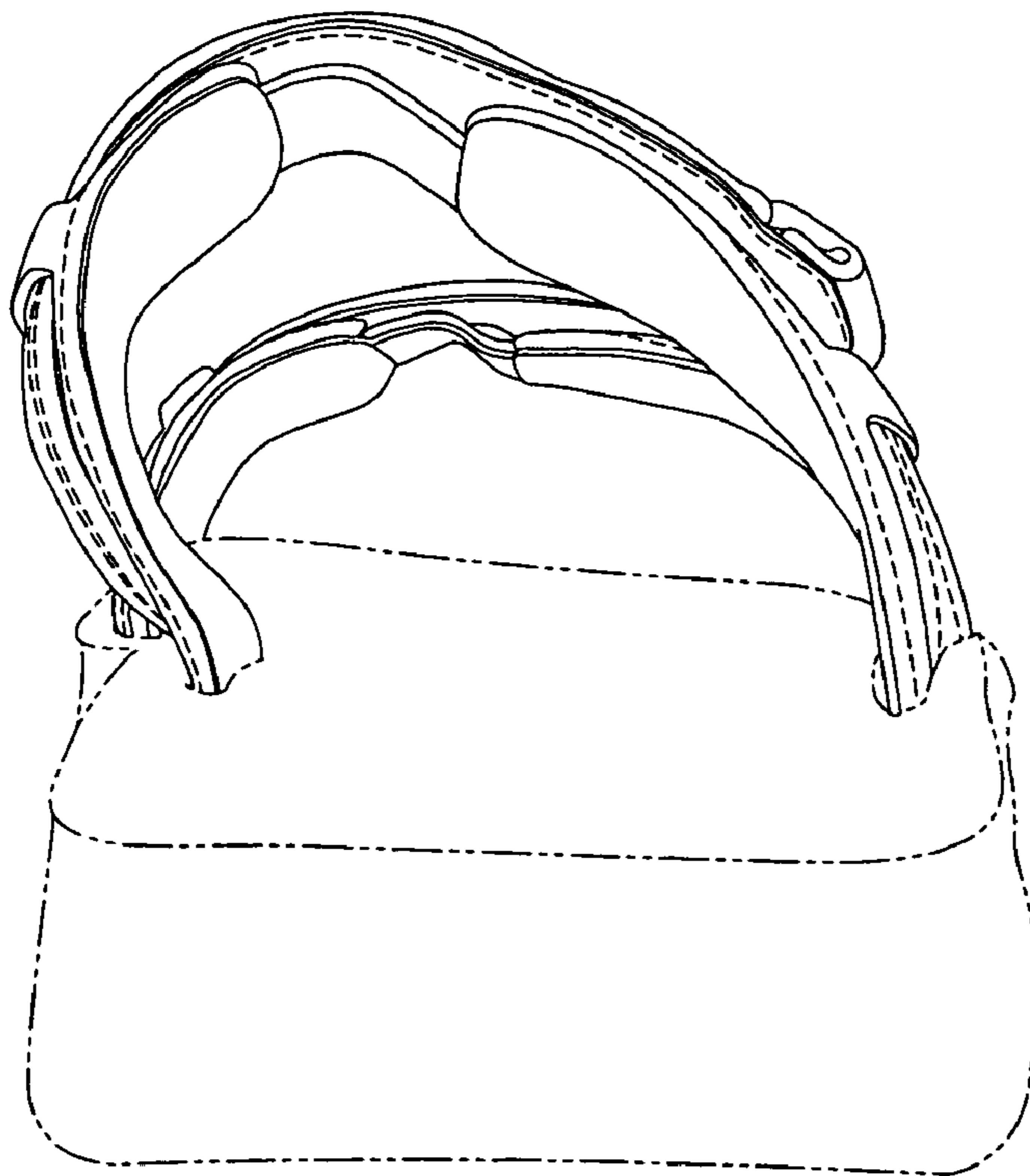


Fig.6