



US00D563086S

(12) **United States Design Patent**
Riu

(10) **Patent No.:** **US D563,086 S**
(45) **Date of Patent:** **** Mar. 4, 2008**

(54) **TREAD PATTERN**

(75) Inventor: **Richard Riu**, Guangdong (CN)

(73) Assignee: **Evalite International Co., Ltd.**,
Guangdong (CN)

(**) Term: **14 Years**

(21) Appl. No.: **29/209,221**

(22) Filed: **Jul. 12, 2004**

(51) **LOC (8) Cl.** **02-04**

(52) **U.S. Cl.** **D2/957**

(58) **Field of Classification Search** D2/896,
D2/902, 907, 908, 947, 951, 957, 958, 959;
D6/583; 36/3 B, 24.5, 25 R, 32 R
See application file for complete search history.

(56) **References Cited**

U.S. PATENT DOCUMENTS

D317,225 S * 6/1991 Austin D2/958

D429,589 S * 8/2000 Denney D6/582
D494,346 S * 8/2004 Hawkins D2/952

* cited by examiner

Primary Examiner—Ian Simmons

Assistant Examiner—Dana L Sipos

(74) *Attorney, Agent, or Firm*—Ohlandt, Greeley, Ruggiero
& Perle L.L.P.

(57) **CLAIM**

The ornamental design for a tread pattern, as shown and described.

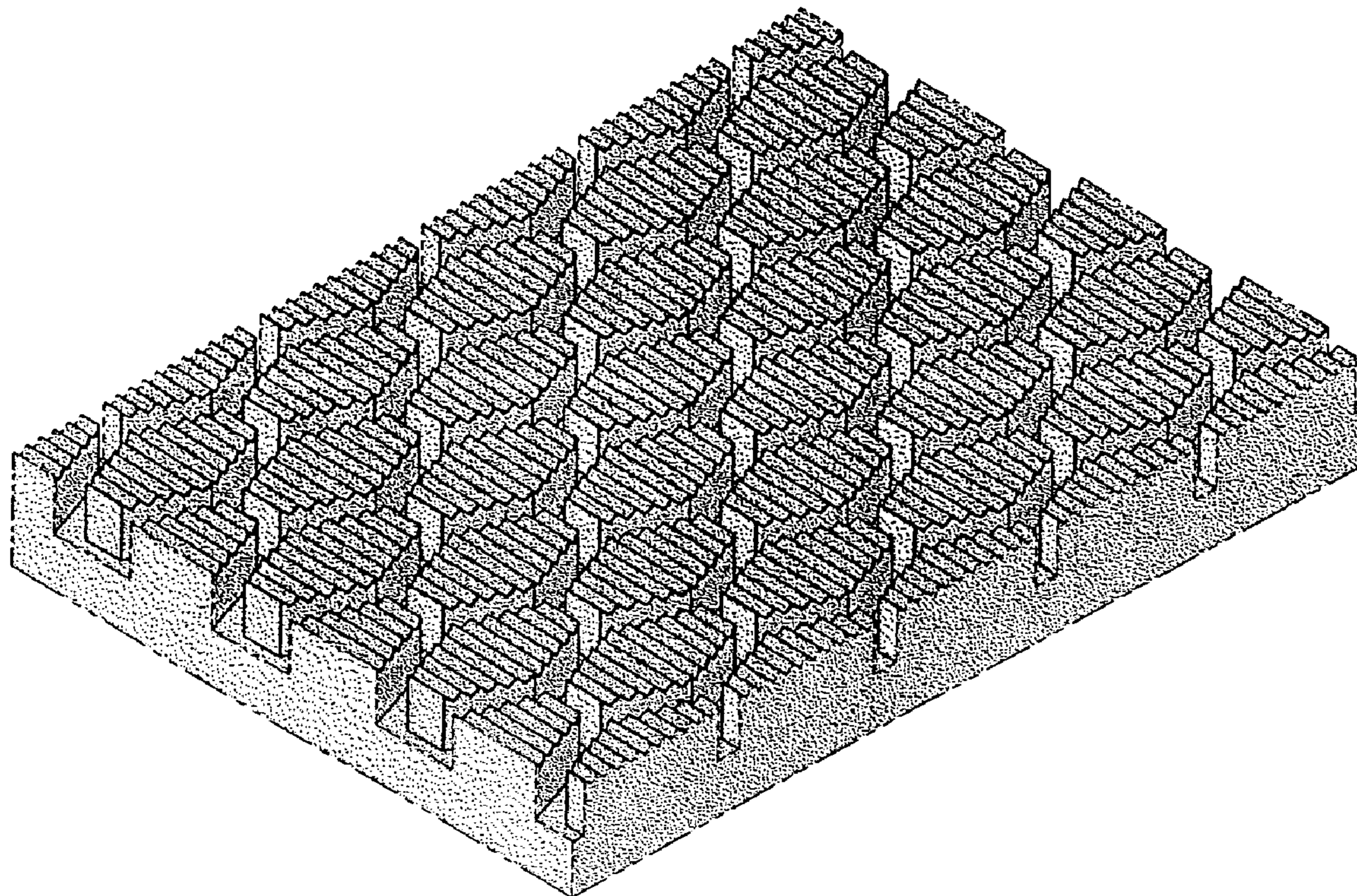
DESCRIPTION

FIG. 1 is a front elevational view of a tread pattern according to the present invention:

FIG. 2 is a cross sectional view thereof, taken along the line 2—2 in FIG. 1; and,

FIG. 3 is a top, front, right side perspective view of the tread pattern of FIG. 1.

1 Claim, 2 Drawing Sheets



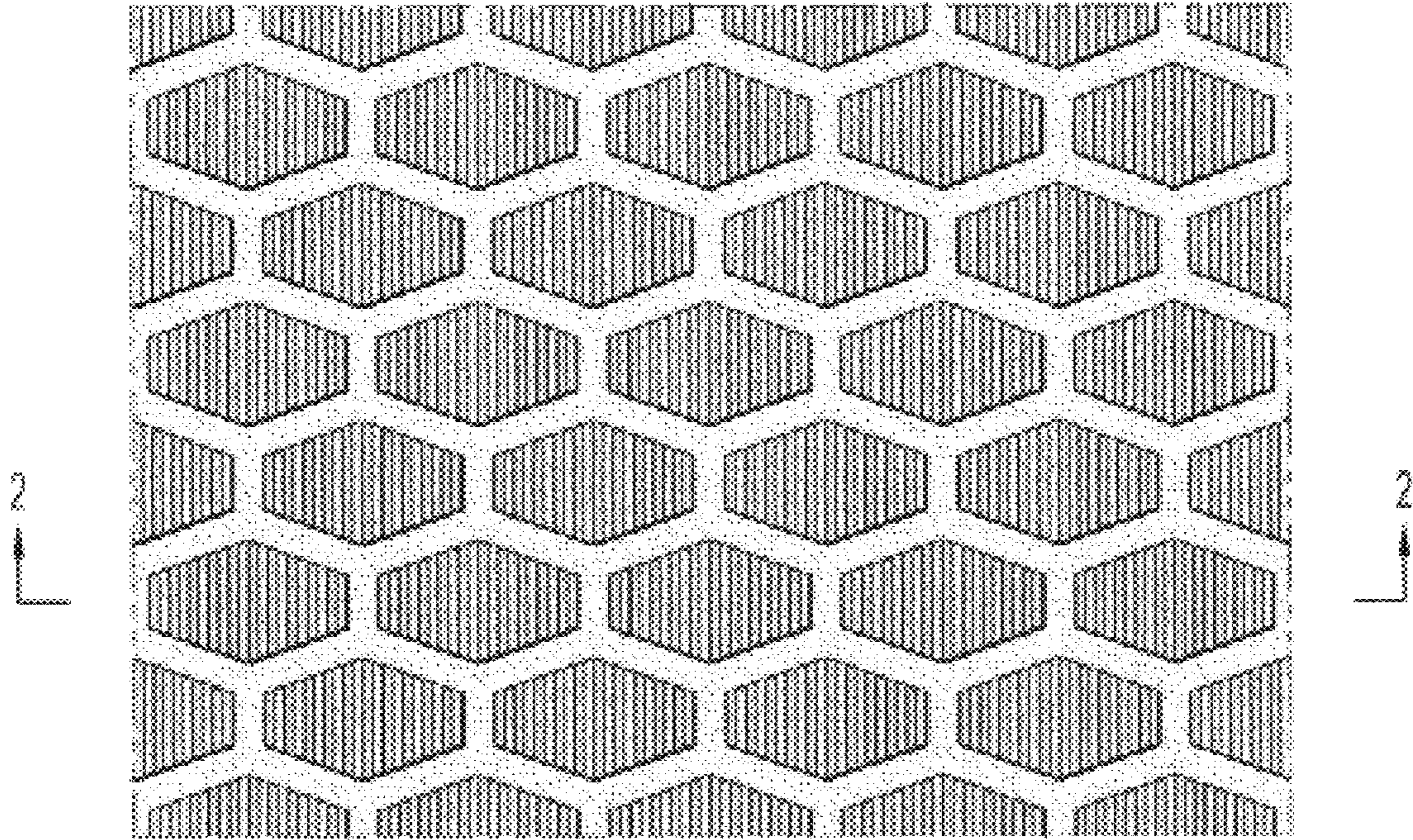


FIG. 1



FIG. 2

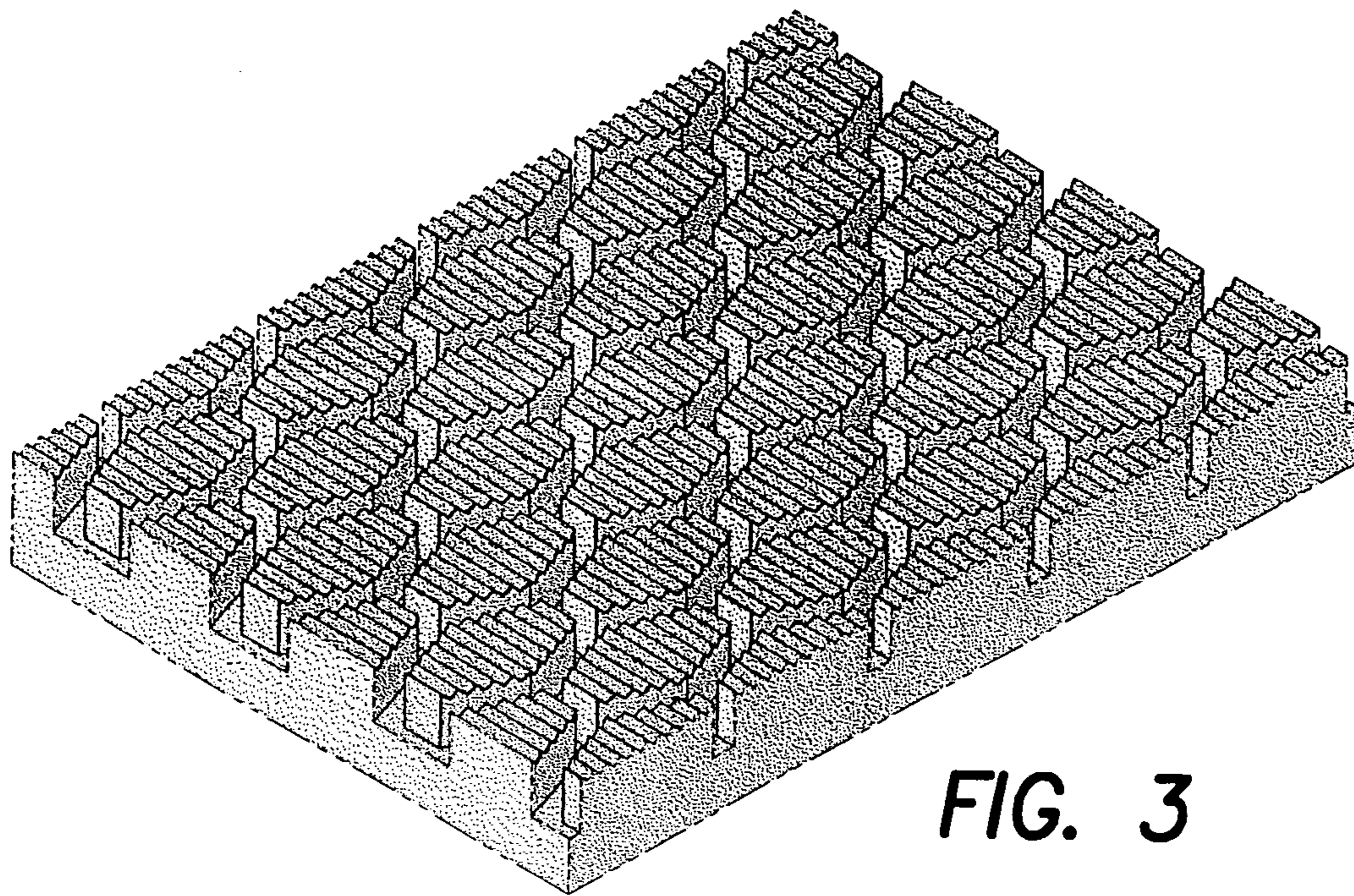


FIG. 3