

US00D563070S

(12) **United States Design Patent** (10) **Patent No.:** **US D563,070 S**
Palese et al. (45) **Date of Patent:** **** Feb. 26, 2008**

(54) **GLOVE ATTACHMENT FOR A BOOT DRYER**

D412,381 S 7/1999 Peet
6,085,436 A 7/2000 Peet
6,216,359 B1 4/2001 Peet

(75) Inventors: **Jeffrey W. Palese**, N. Ridgeville, OH (US); **Ling Zhou**, Strongsville, OH (US); **Robert Browning**, Middleburg Heights, OH (US)

OTHER PUBLICATIONS

http://www.peetshoedryer.com/assets/photos/db/products/6_23_g21attachment_jpg.jpg Aug. 21, 2007.*

* cited by examiner

(73) Assignee: **Pragotrade, Inc.**, Strongsville, OH (US)

Primary Examiner—Stella M. Reid
Assistant Examiner—Kathleen Sims

(**) Term: **14 Years**

(74) *Attorney, Agent, or Firm*—Tarolli, Sundheim, Covell & Tummino LLP

(21) Appl. No.: **29/273,554**

(57) **CLAIM**

(22) Filed: **Mar. 8, 2007**

The ornamental design for a glove attachment for a boot dryer, as shown and described.

(51) **LOC (8) Cl.** **07-05**

(52) **U.S. Cl.** **D32/59**

(58) **Field of Classification Search** D32/25,
D32/8, 59; 34/417, 554, 104-106, 239, 437;
D2/641, 642, 979; 211/34, 35, 37
See application file for complete search history.

DESCRIPTION

FIG. 1 is a perspective view of a glove attachment for a boot dryer showing our new design;

FIG. 2 is a left side elevation view thereof;

FIG. 3 is a right side elevation view thereof;

FIG. 4 is a front elevation view thereof;

FIG. 5 is a rear elevation view thereof;

FIG. 6 is a top plan view thereof; and,

FIG. 7 is a bottom plan view.

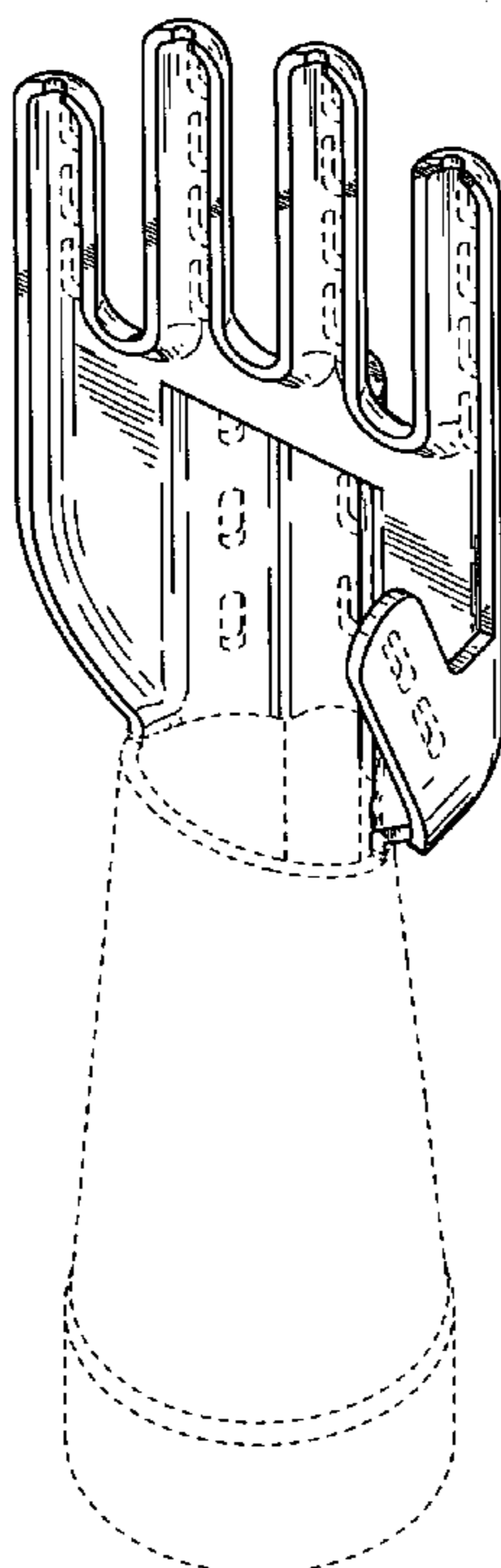
The broken line showing of the base in FIGS. 1-7 is included for the purpose of illustrating portions of the glove attachment for a boot dryer and forms no part of the claimed design.

(56) **References Cited**

U.S. PATENT DOCUMENTS

606,628	A *	6/1898	Hull	223/78
686,884	A *	11/1901	Becker	223/79
1,569,283	A *	1/1926	Johnson	223/79
2,783,925	A *	3/1957	Ross	223/78
D193,408	S *	8/1962	Goldman	D32/59
D195,137	S *	4/1963	Jennings, Jr.	D32/59
3,477,622	A *	11/1969	Appelt	223/78
4,018,382	A *	4/1977	DiCuya	223/78
5,125,169	A *	6/1992	Bader	34/103
5,913,461	A *	6/1999	Boudreau et al.	223/78

1 Claim, 2 Drawing Sheets



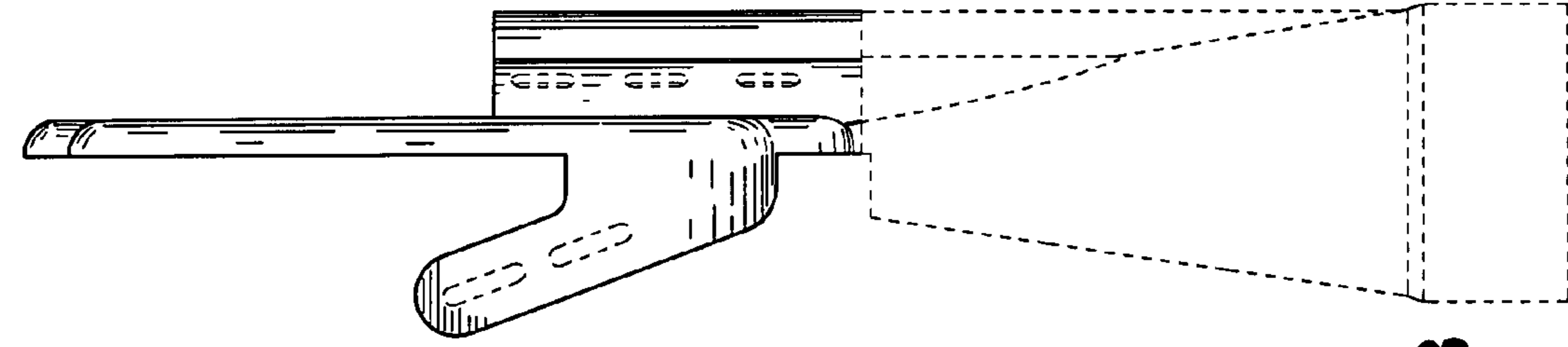


Fig. 3

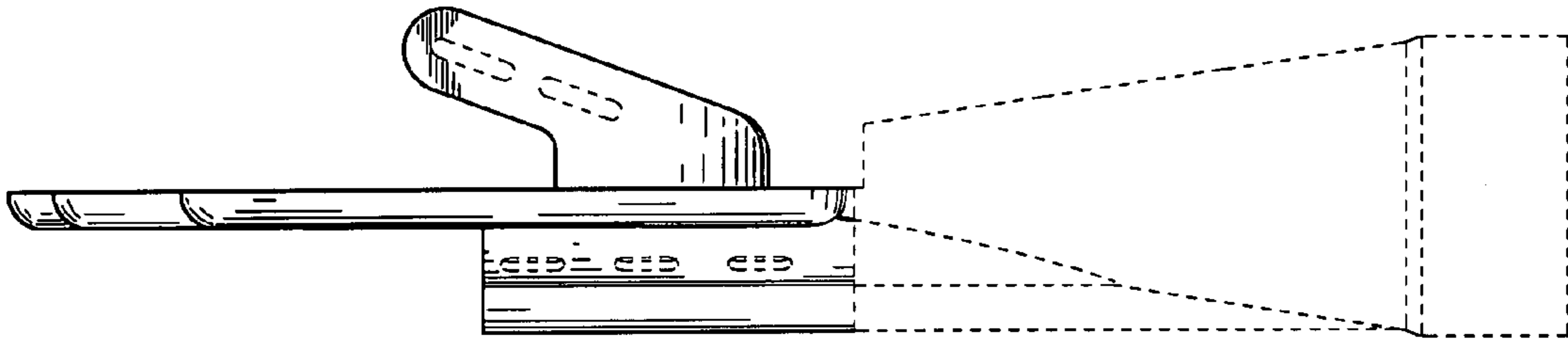


Fig. 2

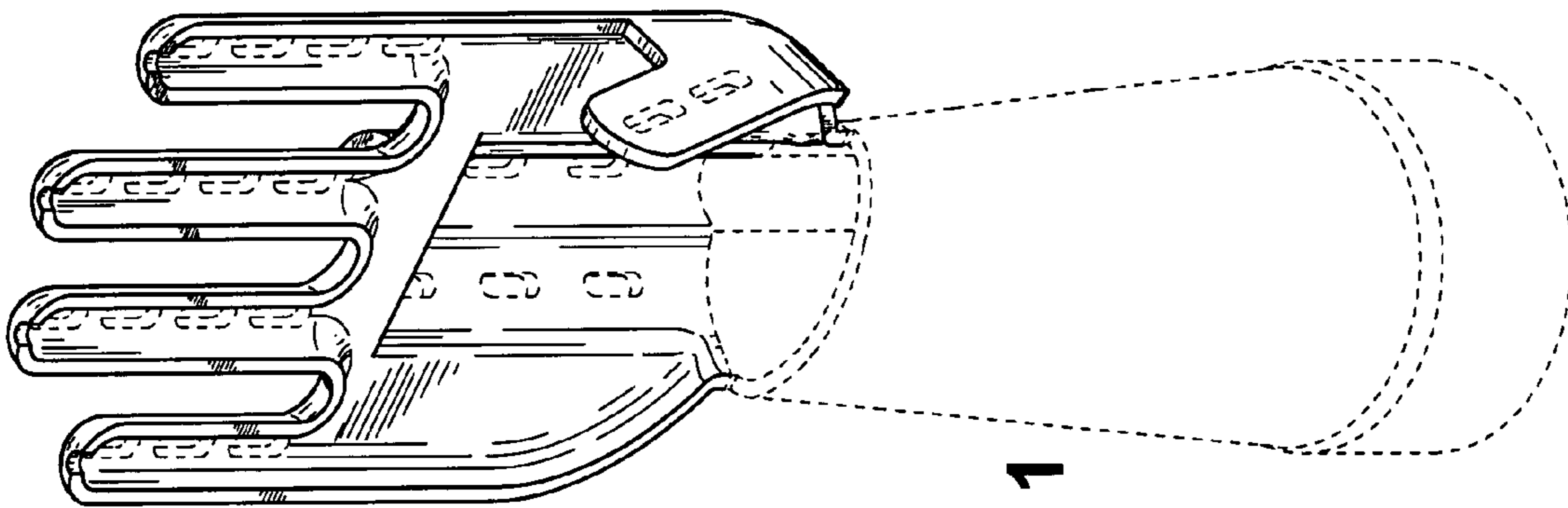


Fig. 1

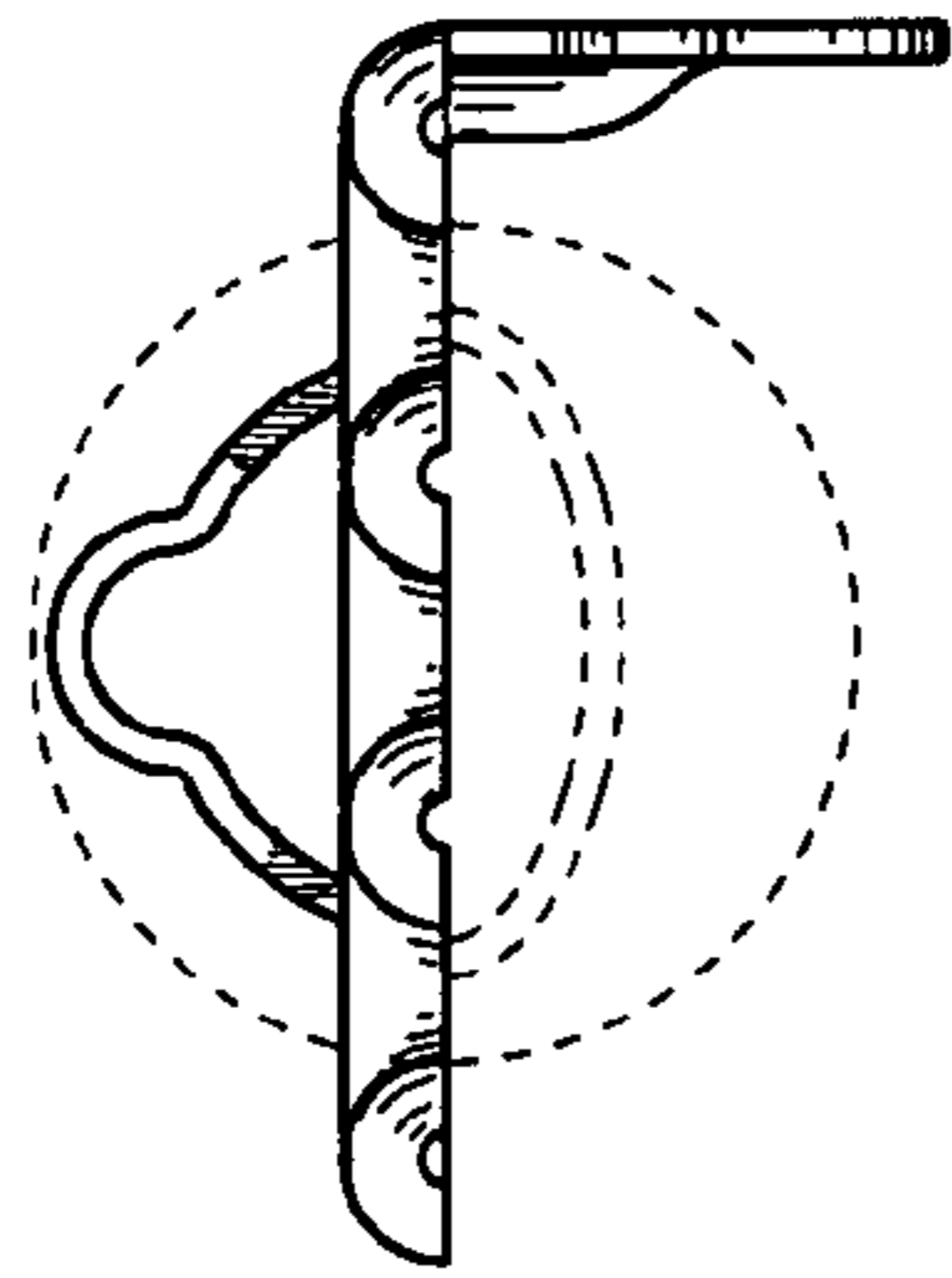


Fig. 6

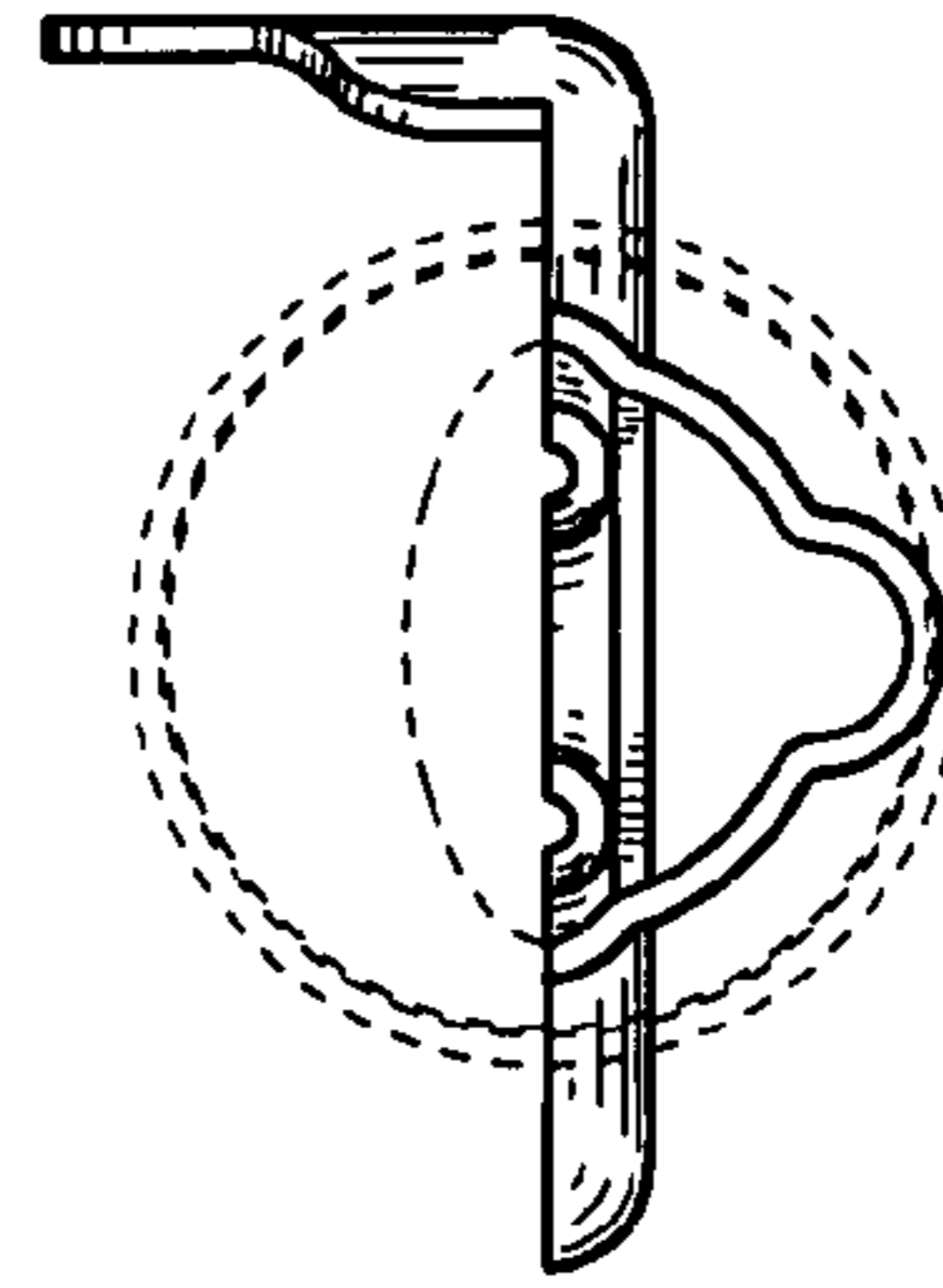


Fig. 7

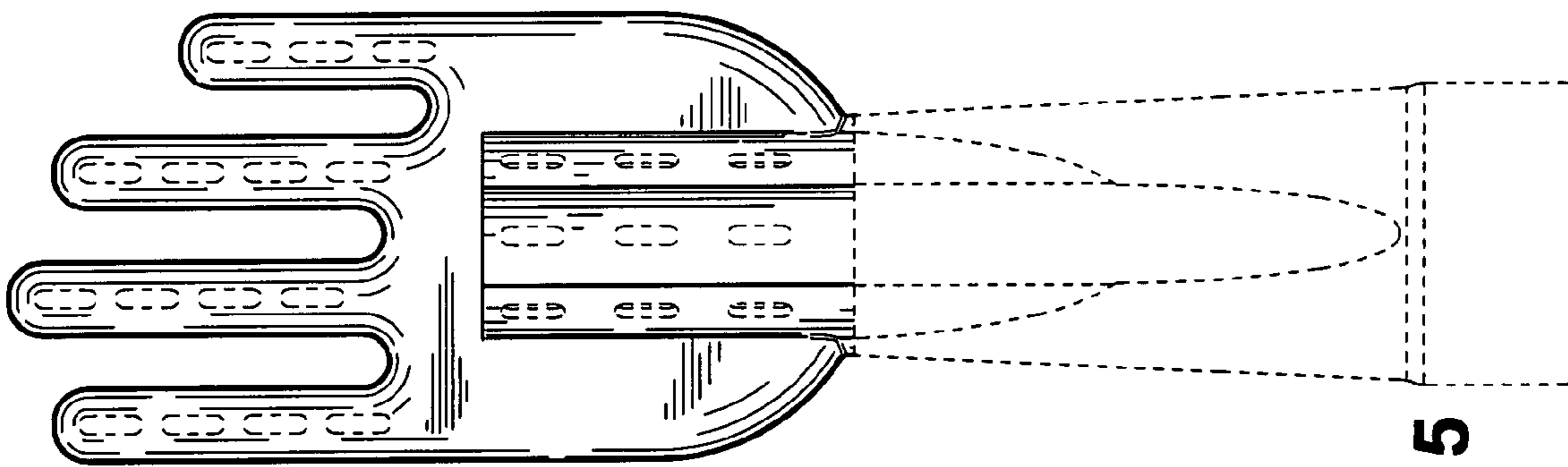


Fig. 5

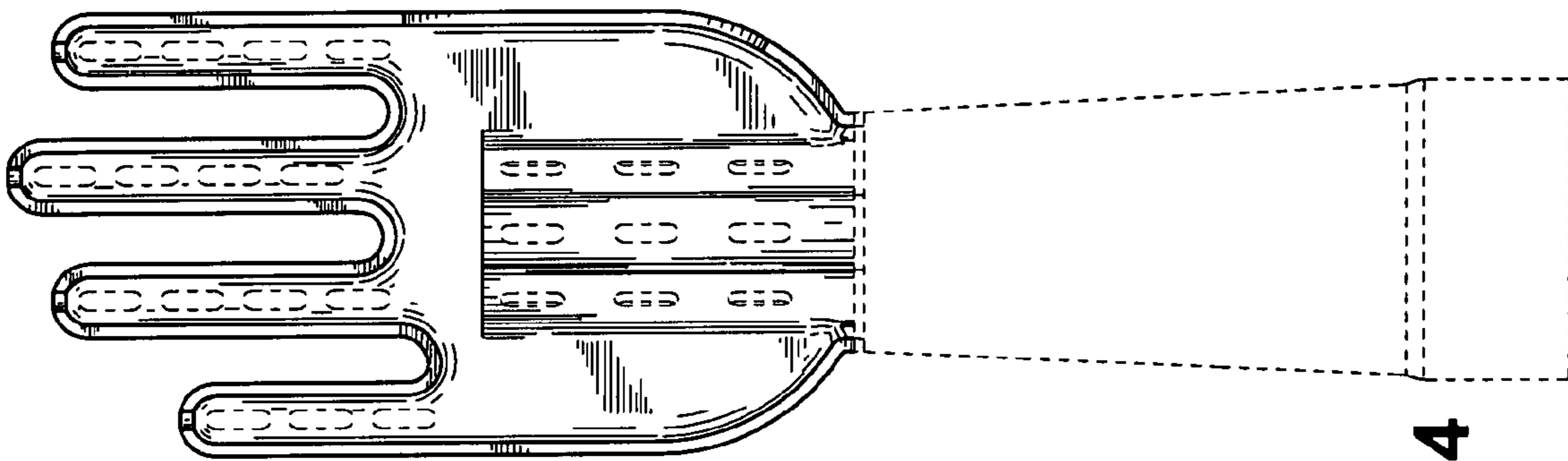


Fig. 4