



US00D563069S

(12) **United States Design Patent**  
**Yovanovich**

(10) **Patent No.:** **US D563,069 S**

(45) **Date of Patent:** **\*\* Feb. 26, 2008**

(54) **PAINT STIRRER**

(57) **CLAIM**

(76) **Inventor:** **David A. Yovanovich**, P.O. Box 71174,  
Salt Lake City, UT (US) 84171

The ornamental design for the paint stirrer, as shown and described.

(\*\*) **Term:** **14 Years**

(21) **Appl. No.:** **29/237,503**

**DESCRIPTION**

(22) **Filed:** **Sep. 2, 2005**

(51) **LOC (8) Cl.** ..... **07-07**

(52) **U.S. Cl.** ..... **D32/54**

(58) **Field of Classification Search** ..... D32/54,  
D32/46, 35; D7/688; D8/14; 7/105, 170;  
366/129, 343, 605; 15/236.01

See application file for complete search history.

(56) **References Cited**

**U.S. PATENT DOCUMENTS**

1,281,610	A	10/1918	Lunddahl	
2,593,949	A	4/1952	Williams	
2,670,939	A	3/1954	Harp	
2,777,676	A	1/1957	Carter	
D197,294	S	1/1964	Thomas	
3,411,723	A	11/1968	Khon	
3,733,645	A	5/1973	Seiler	
D254,418	S *	3/1980	Norenberg	..... D32/54
4,197,017	A	4/1980	Whelan	
D261,723	S *	11/1981	Haller	..... D32/54
D262,431	S *	12/1981	Haller	..... D32/54
D290,084	S	6/1987	Klapperich	
D362,793	S	10/1995	Khan et al.	
5,494,352	A	2/1996	L'Estrange, Jr.	
D385,466	S	10/1997	Bellomo	
6,421,860	B1 *	7/2002	Abbott	..... 7/105
6,935,767	B2 *	8/2005	Nikkhah	..... 366/129

\* cited by examiner

*Primary Examiner*—Pamela J. Burgess

(74) *Attorney, Agent, or Firm*—Shlesinger, Arkwright & Garvey LLP

FIG. 1 is a perspective view of a paint stirrer according to the present invention;

FIG. 2 is a side elevational view of FIG. 1 which is a mirror image of the opposite side thereof;

FIG. 3 is a top plan view of FIG. 1 which is a mirror image of the opposite side thereof;

FIG. 4 is a bottom end view of FIG. 1;

FIG. 5 is a top end view of FIG. 1;

FIG. 6 is a perspective view of a second embodiment of a paint stirrer showing my new design;

FIG. 7 is a side elevational view of FIG. 6 which is a mirror image of the opposite side thereof;

FIG. 8 is a top plan view of FIG. 6 which is a mirror image of the opposite side thereof;

FIG. 9 is a bottom end view of FIG. 6;

FIG. 10 is a top end view of FIG. 6;

FIG. 11 is a perspective view of a third embodiment of a paint stirrer showing my new design;

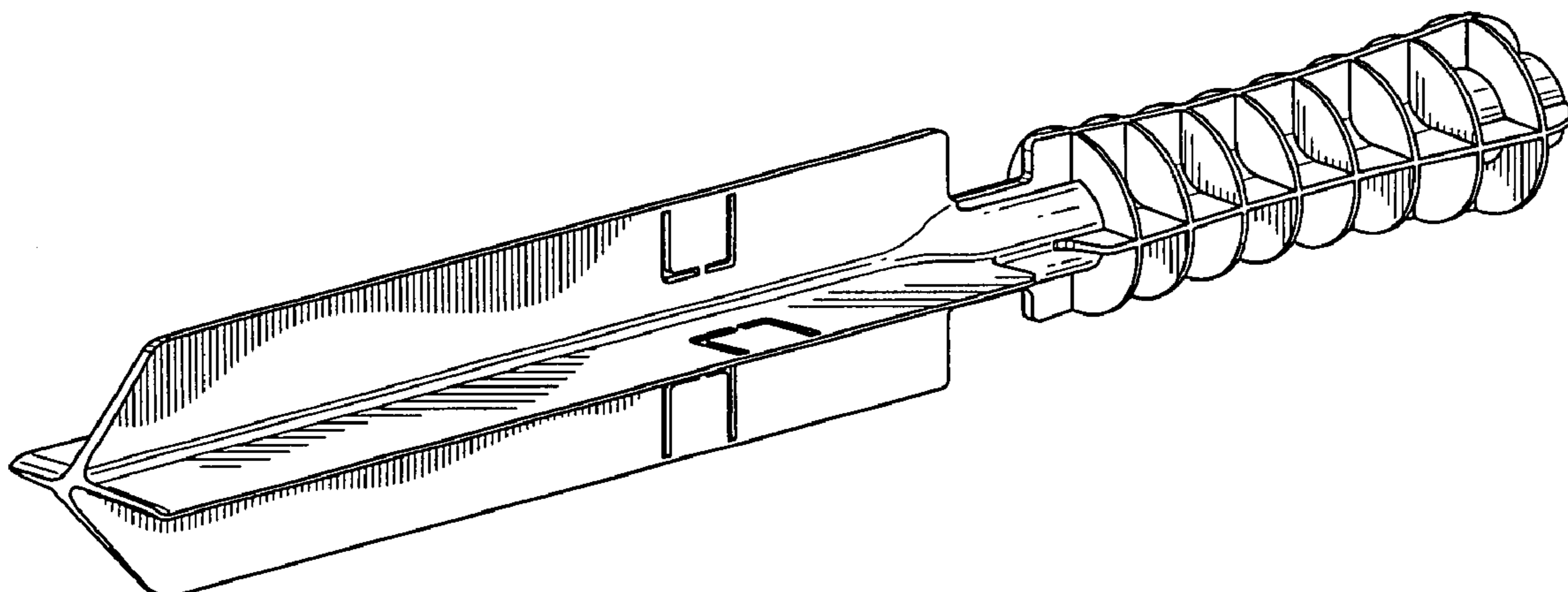
FIG. 12 is a side elevational view of FIG. 11 which is a mirror image of the opposite side thereof;

FIG. 13 is a top plan view of FIG. 11 which is a mirror of the opposite side thereof;

FIG. 14 is a bottom end view of FIG. 11; and,

FIG. 15 is a top end view of FIG. 11.

**1 Claim, 3 Drawing Sheets**



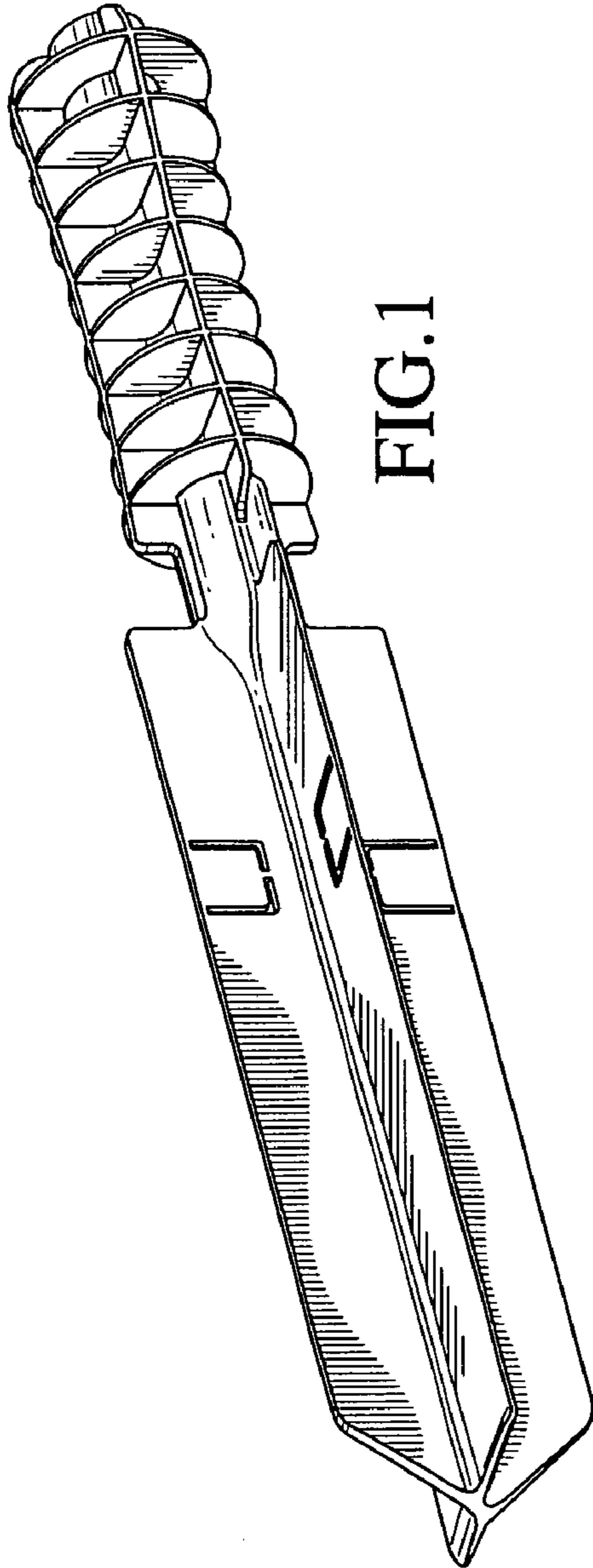


FIG. 1

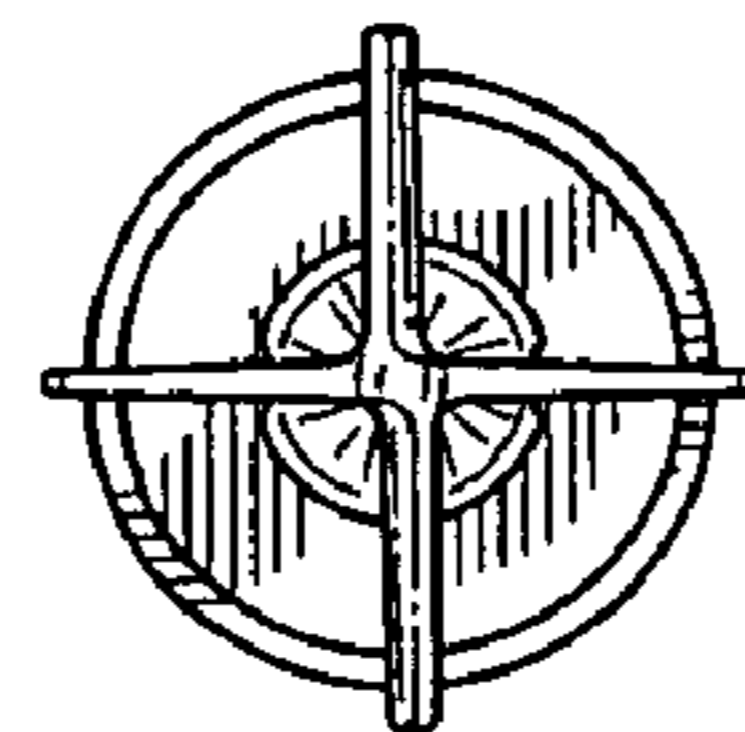


FIG. 4

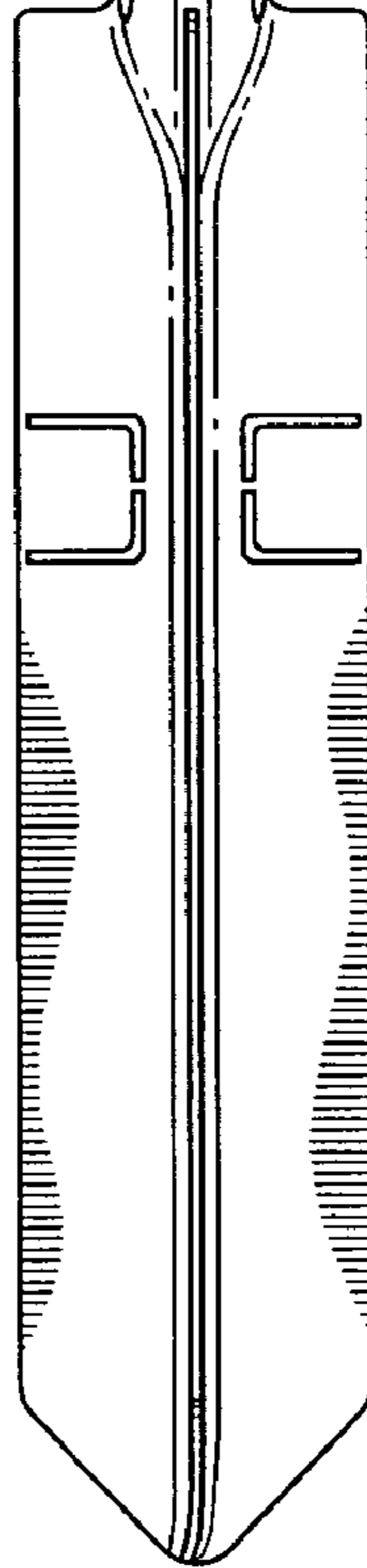


FIG. 2

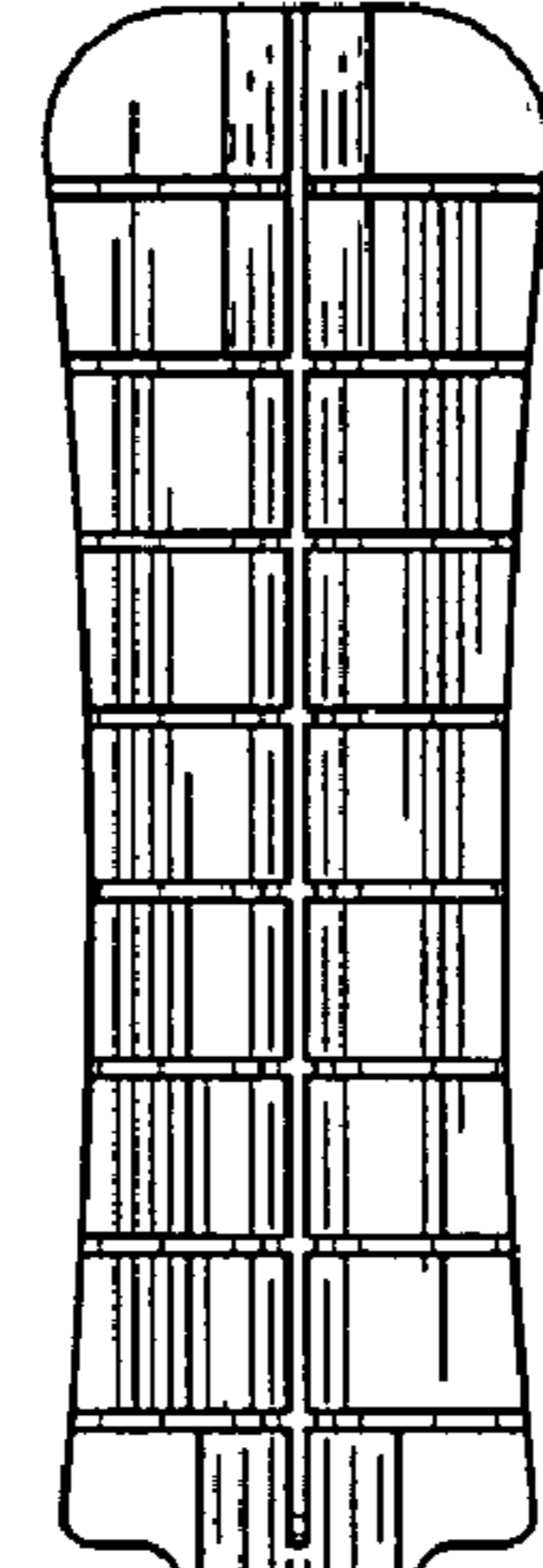


FIG. 5

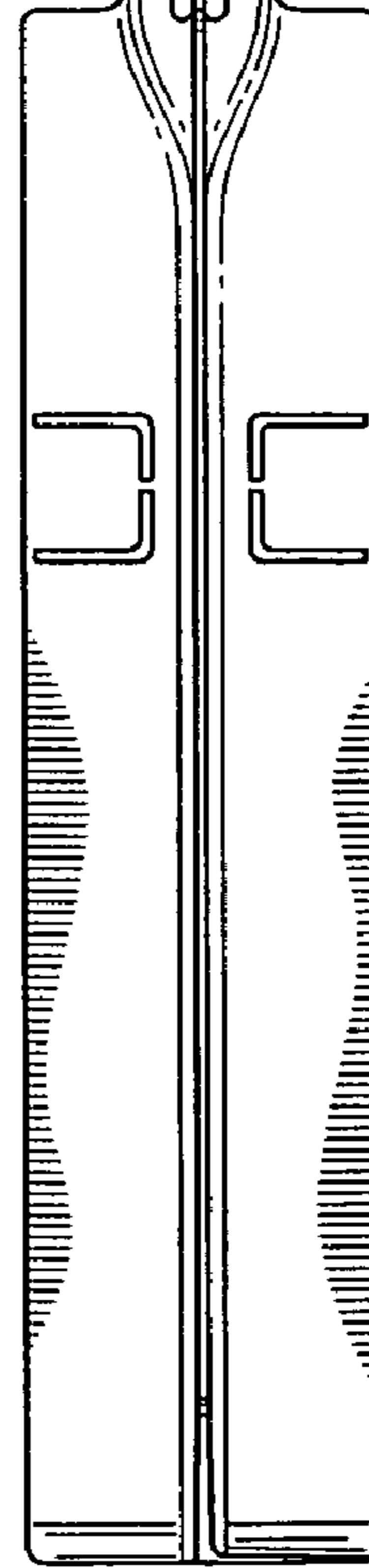


FIG. 3

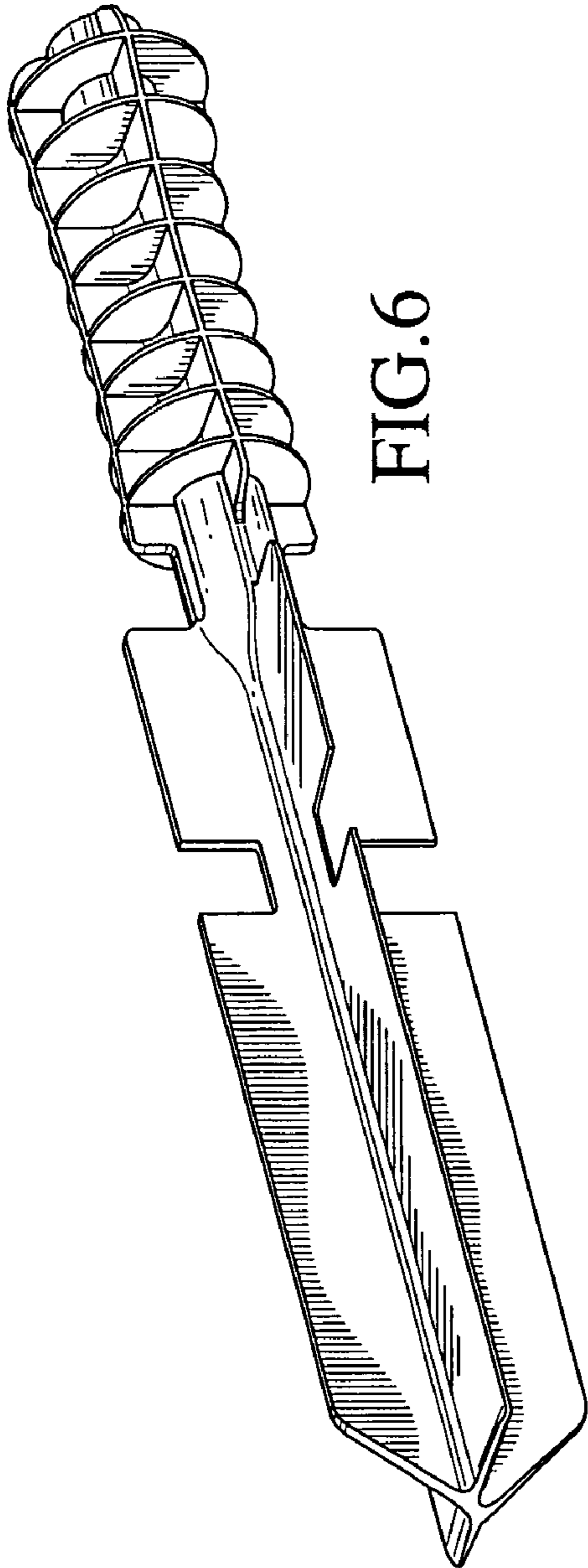


FIG. 6

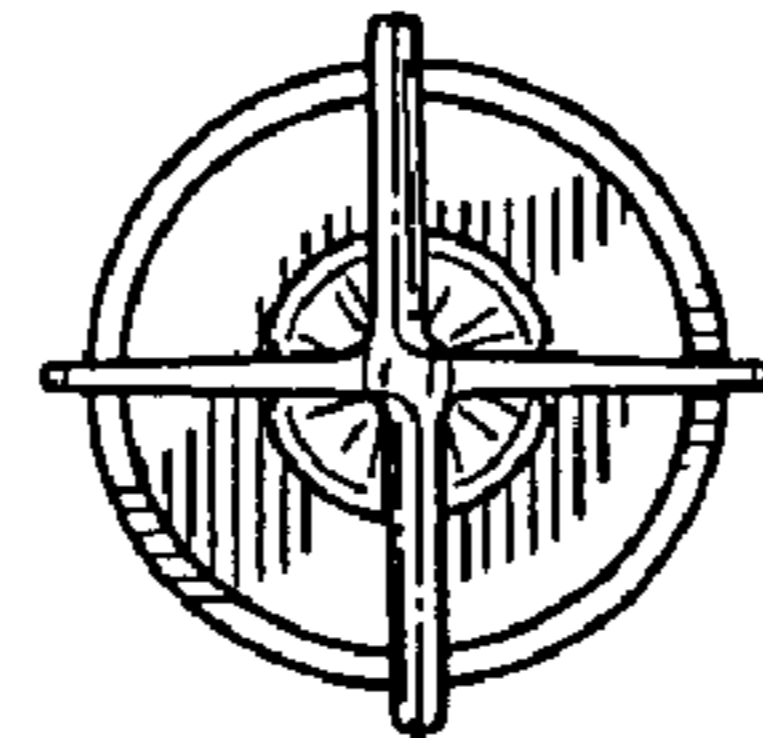


FIG. 9

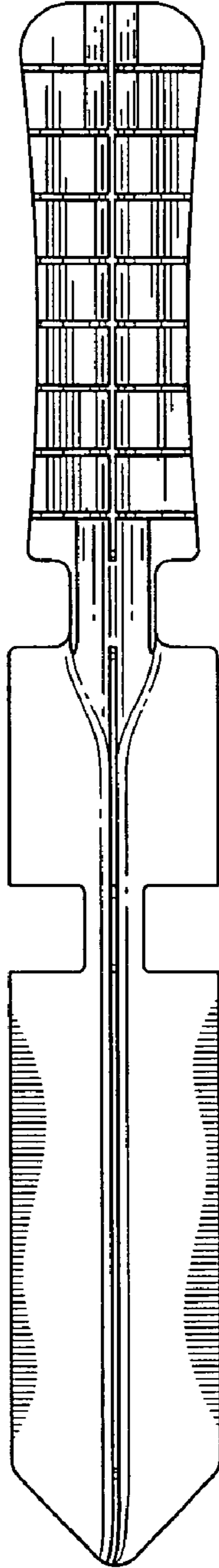


FIG. 7

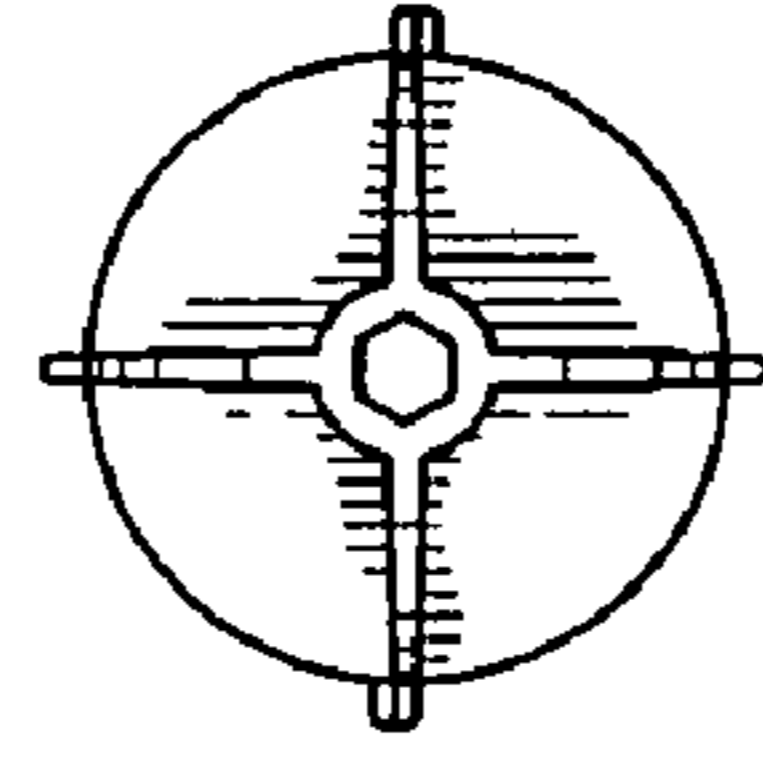


FIG. 10

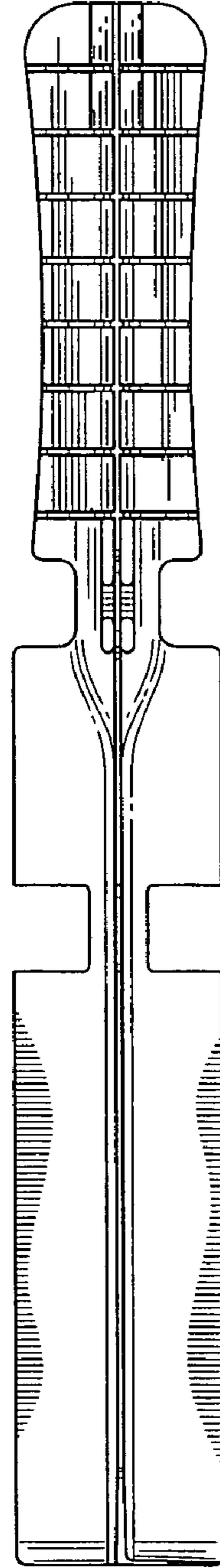


FIG. 8



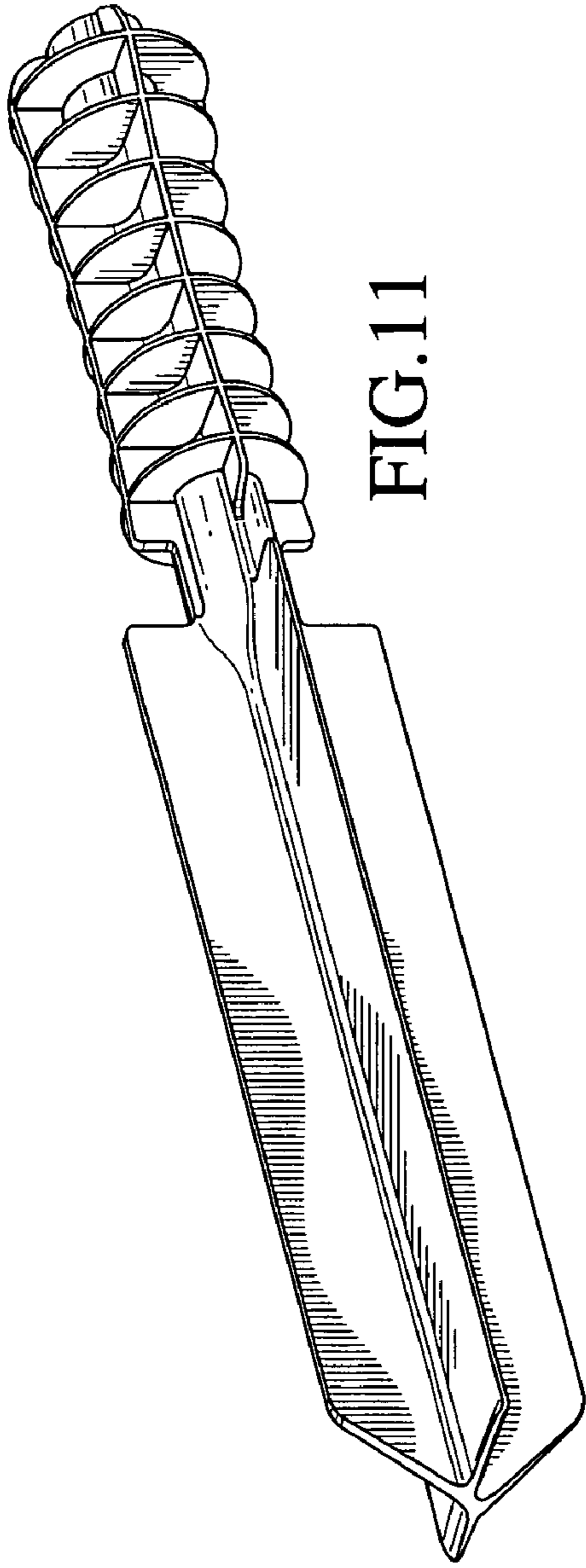


FIG. 11

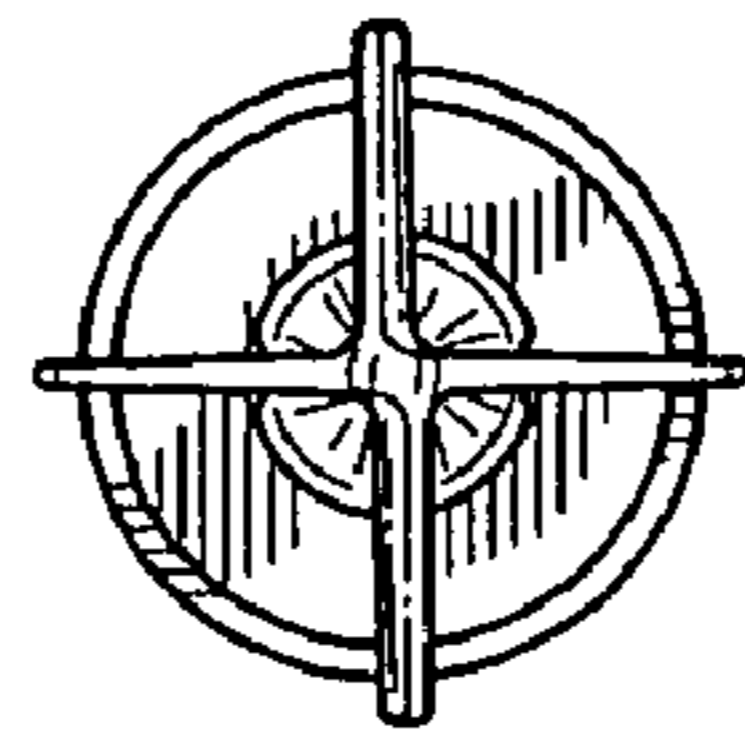


FIG. 14

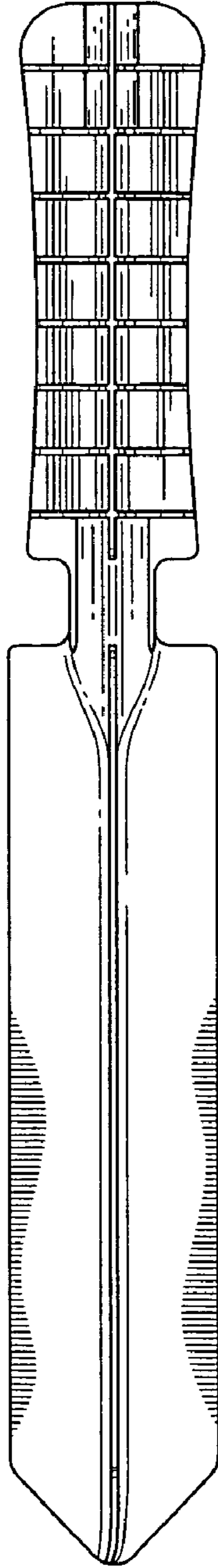


FIG. 12

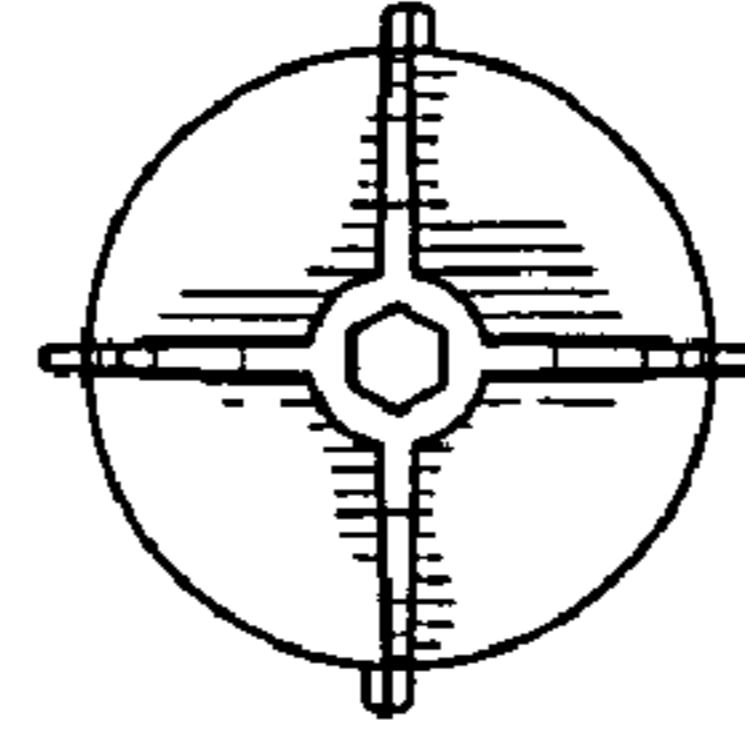


FIG. 15

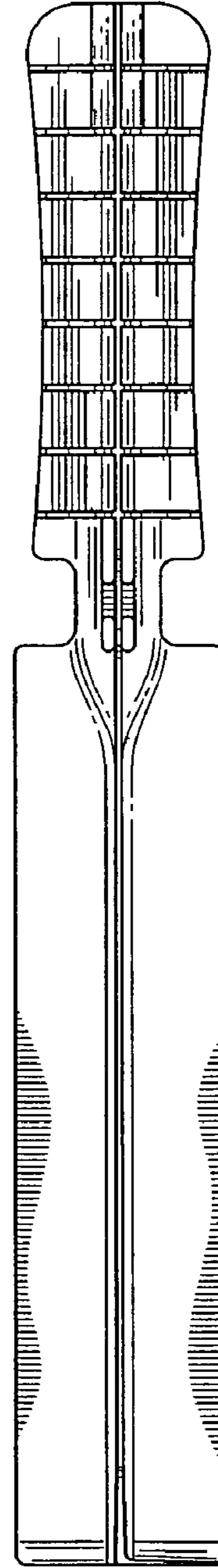


FIG. 13