



US00D563068S

(12) **United States Design Patent**
Jiang et al.

(10) **Patent No.:** **US D563,068 S**

(45) **Date of Patent:** **** Feb. 26, 2008**

(54) **FLOOR MOP**

(75) Inventors: **Weilai Jiang**, Shanghai (CN); **Feng Zeng**, Shanghai (CN)

(73) Assignee: **3M Innovative Properties Company**, St. Paul, MN (US)

(**) Term: **14 Years**

(21) Appl. No.: **29/266,598**

(22) Filed: **Sep. 25, 2006**

(30) **Foreign Application Priority Data**

Mar. 31, 2006 (CN) 2006 3 0014004

(51) **LOC (8) Cl.** **04-01**

(52) **U.S. Cl.** **D32/50**

(58) **Field of Classification Search** D32/40,
D32/50-51, 44-45; 15/116.1-116.2, 119.2,
15/228, 147.1-147.2, 150, 209.1, 210.1;
401/137-140

See application file for complete search history.

(56) **References Cited**

U.S. PATENT DOCUMENTS

D358,238 S * 5/1995 Barnett D32/50
6,397,427 B1 * 6/2002 Bryngelsson 15/228

D481,184 S * 10/2003 Clare et al. D32/50
D487,174 S * 2/2004 Colman et al. D32/45
D490,952 S * 6/2004 Ajluni D32/50
D503,836 S * 4/2005 Hall et al. D32/50
D505,762 S * 5/2005 Lalanne et al. D32/45
D506,050 S * 6/2005 Lalanne et al. D32/45
D514,267 S * 1/2006 Tsai D32/45
D518,935 S * 4/2006 Leitch et al. D32/50

* cited by examiner

Primary Examiner—Pamela J. Burgess

(74) *Attorney, Agent, or Firm*—Trisha D. Adamson

(57) **CLAIM**

The ornamental design for a floor mop, as shown and described.

DESCRIPTION

FIG. 1 is a perspective view of a floor mop;

FIG. 2 is a front view thereof;

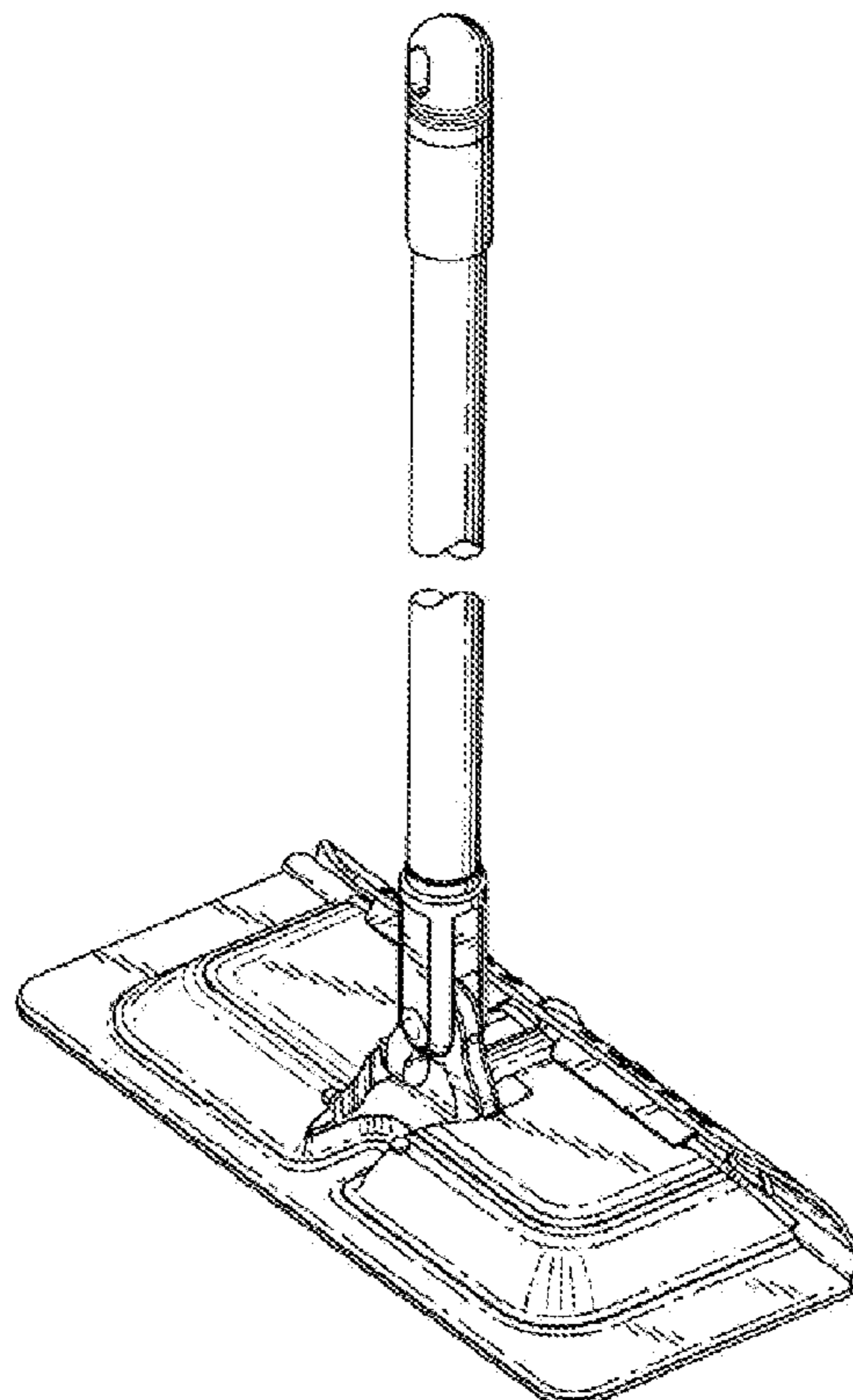
FIG. 3 is a rear view thereof;

FIG. 4 is a right side view thereof, the left side view being a mirror image of the right side view;

FIG. 5 is a top view thereof; and,

FIG. 6 is a bottom view thereof.

1 Claim, 2 Drawing Sheets



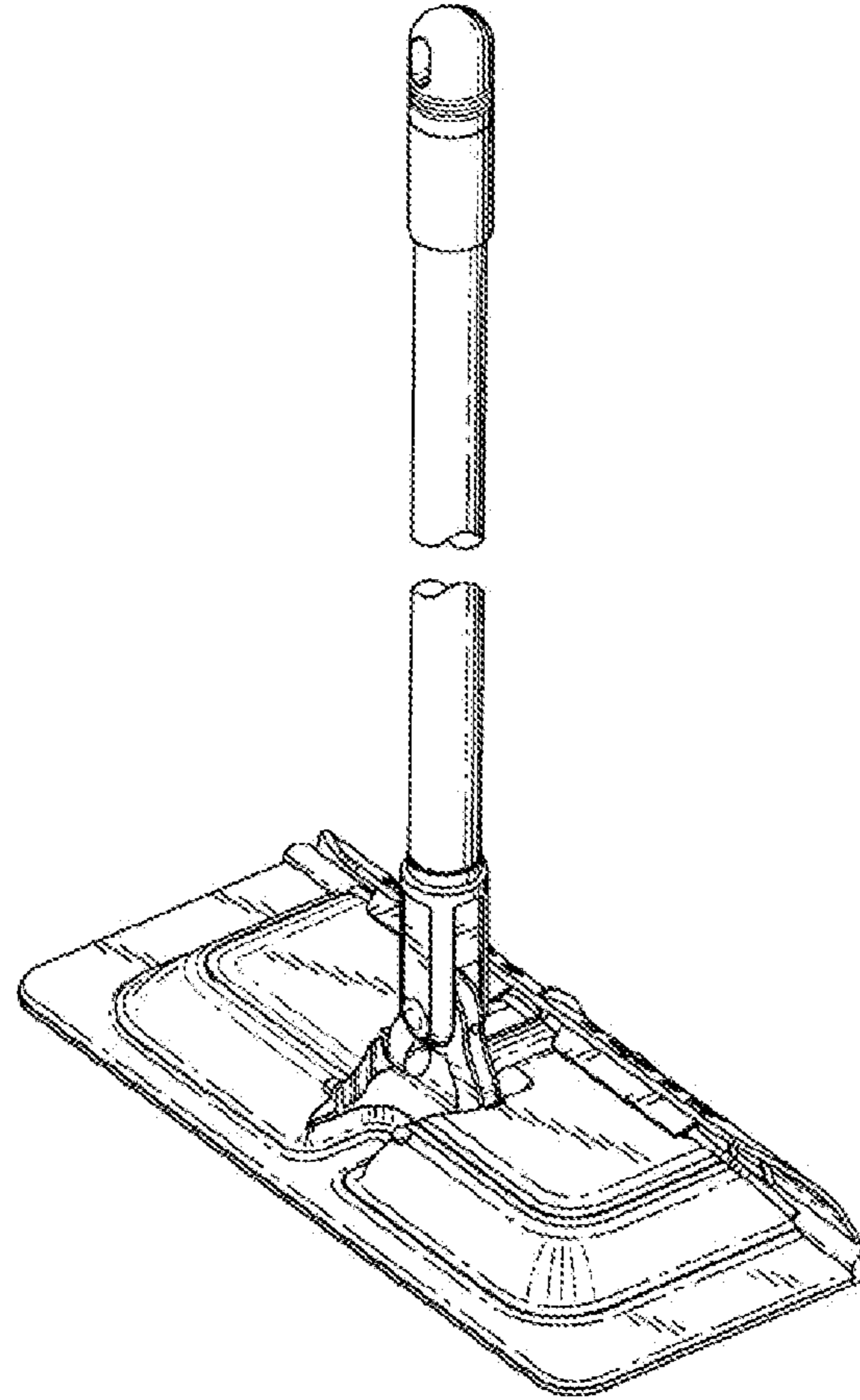


FIG. 1

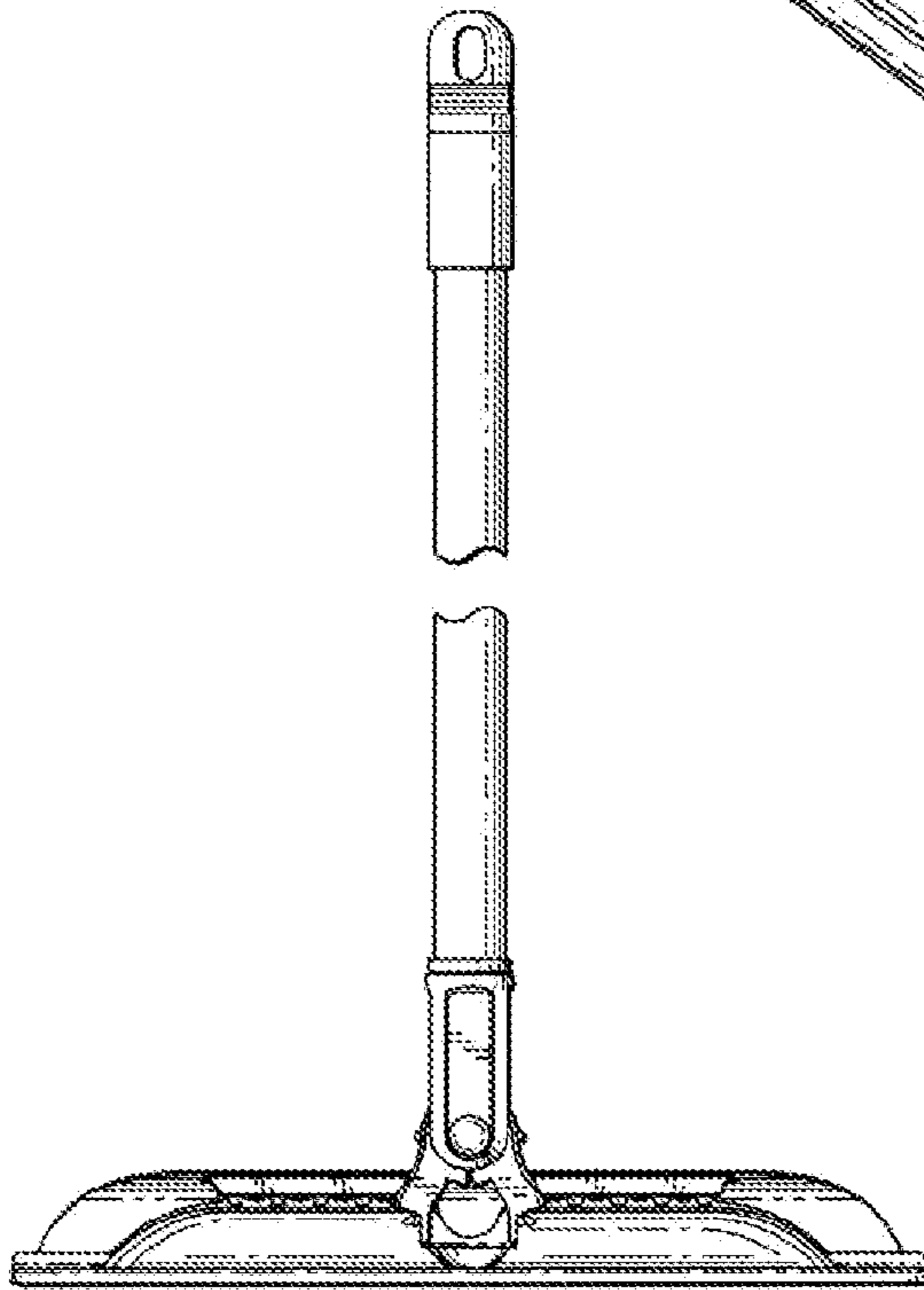


FIG. 2

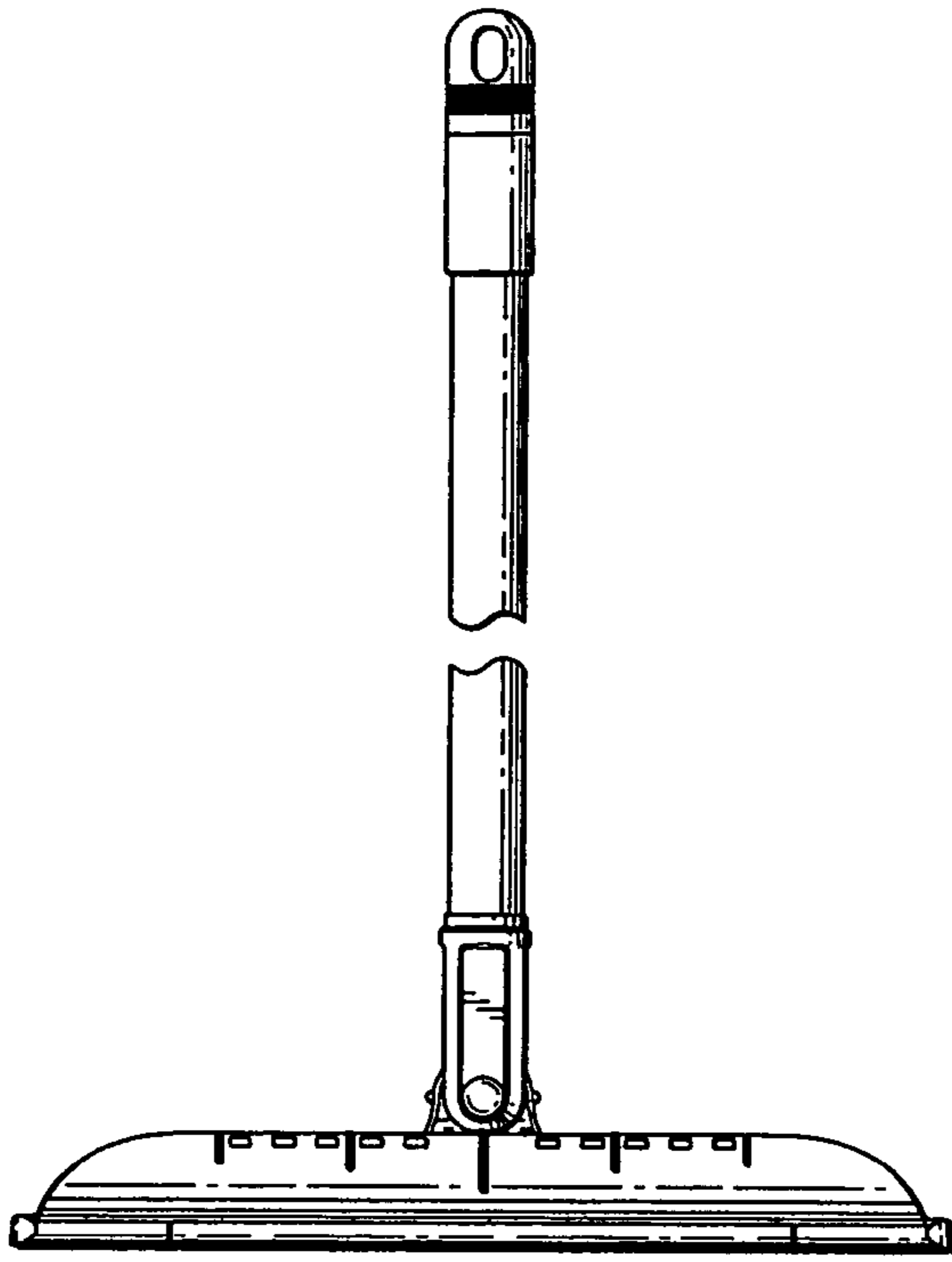


FIG. 3

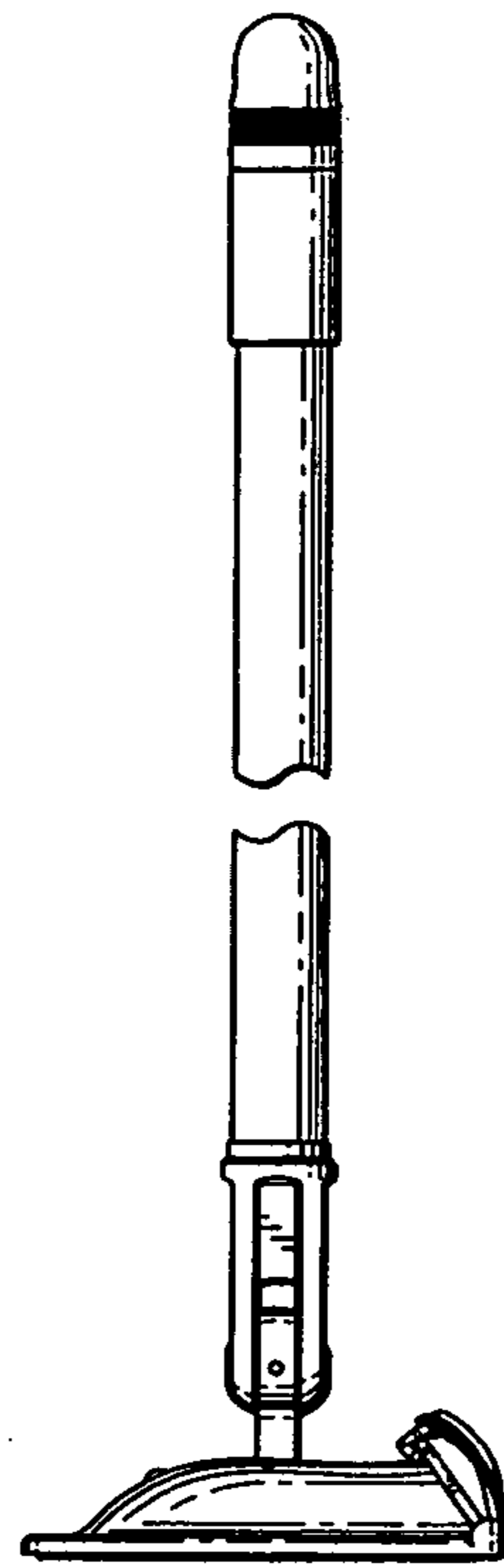


FIG. 4

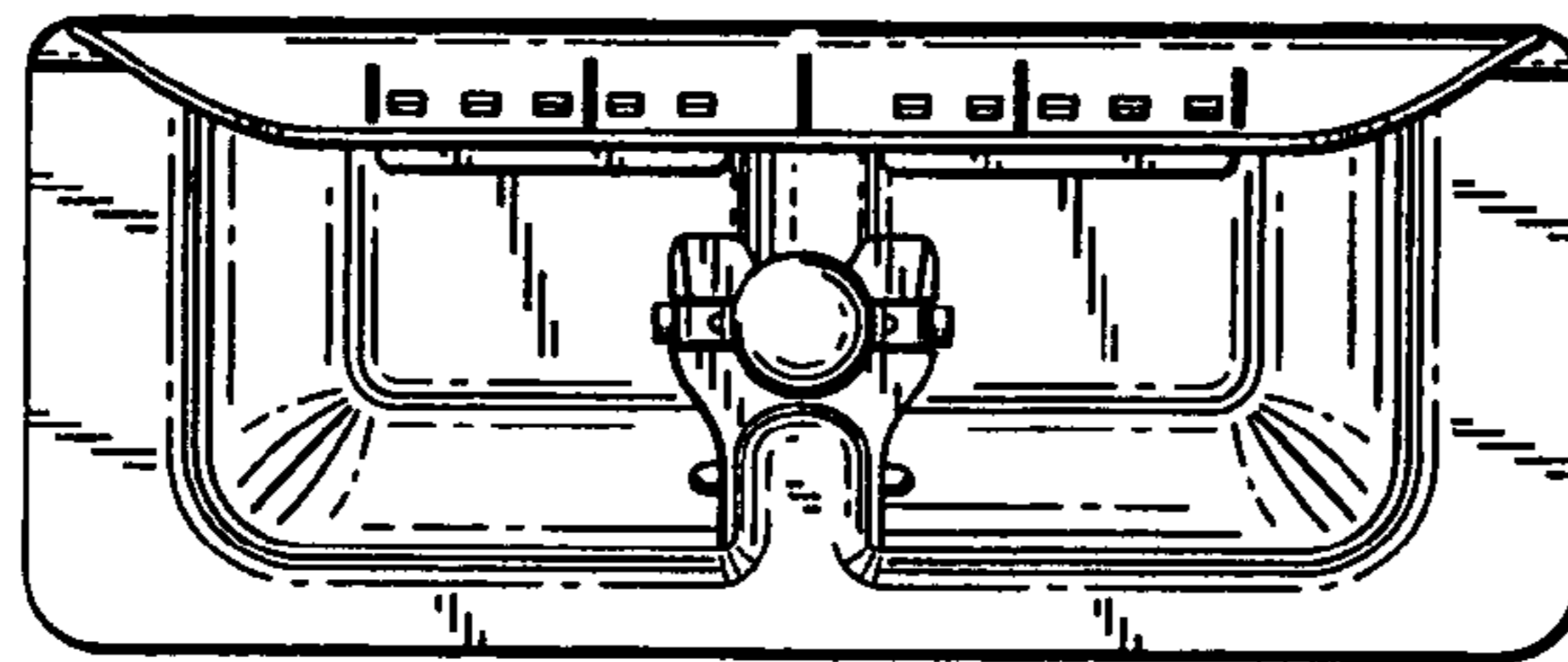


FIG. 5

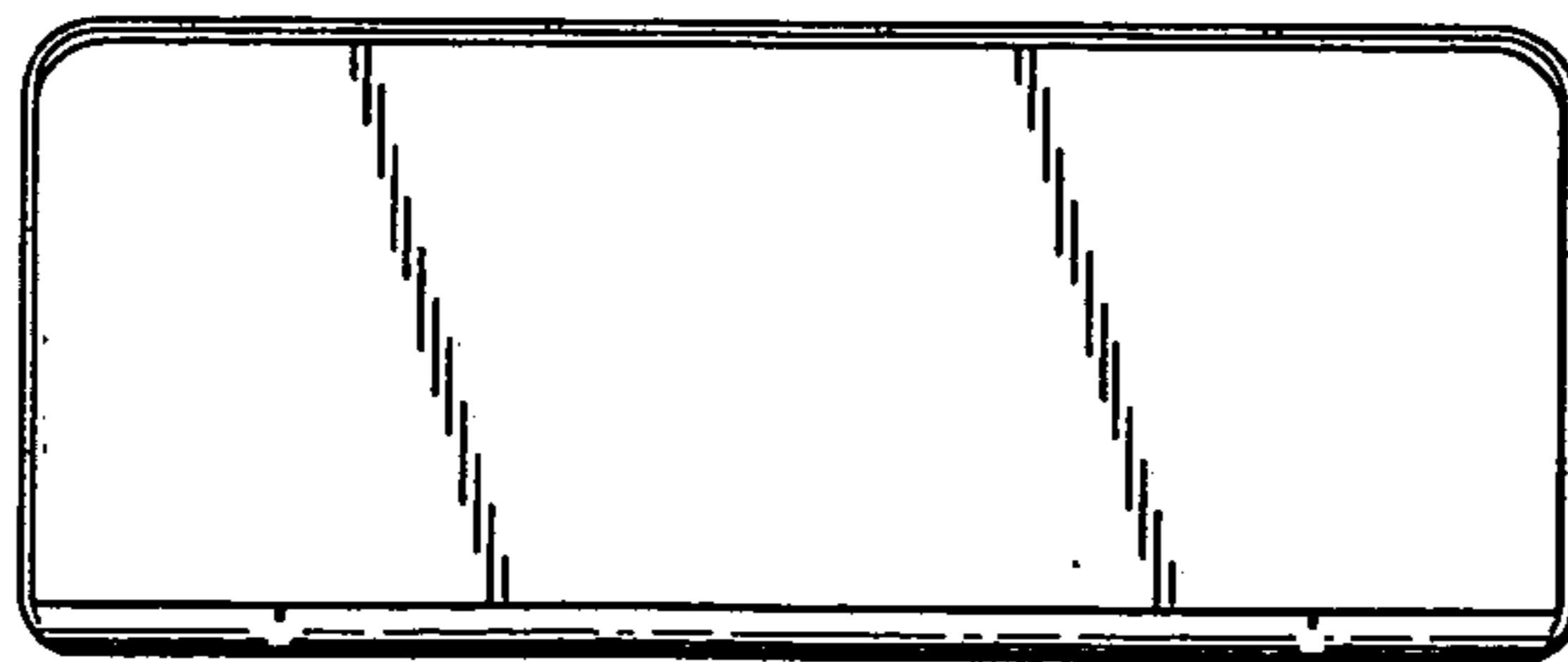


FIG. 6

UNITED STATES PATENT AND TRADEMARK OFFICE
CERTIFICATE OF CORRECTION

PATENT NO. : Des. 563,068 S
APPLICATION NO. : 29/266598
DATED : February 26, 2008
INVENTOR(S) : Weilai Jiang

Page 1 of 1

It is certified that error appears in the above-identified patent and that said Letters Patent is hereby corrected as shown below:

*On Title Page

Item [57] Claim – Below “described” insert -- This application incorporates by reference the Chinese Design Application No. 300140004.1, filed March 31, 2006. All the material from said Chinese Design Application, which is essential to the claimed design, is included in this application. It is understood that any material in said Chinese application, which is not present in this application, forms no part of the claimed design. --.

Signed and Sealed this

Third Day of June, 2008

A handwritten signature in black ink that reads "Jon W. Dudas". The signature is written in a cursive, flowing style.

JON W. DUDAS

Director of the United States Patent and Trademark Office