

US00D563067S

(12) **United States Design Patent**  
**Byrne et al.**

(10) **Patent No.:** **US D563,067 S**  
(45) **Date of Patent:** **\*\* Feb. 26, 2008**

(54) **ONE-PIECE GUITAR STRING CLEANER**

2006/0048793 A1\* 3/2006 Chiappetta ..... 134/6

(75) Inventors: **John Byrne**, Lake Villa, IL (US);  
**David Chiappetta**, 520 W. 48th St.,  
Apt. 1M, New York, NY (US) 10036

\* cited by examiner

*Primary Examiner*—Cathron Brooks

*Assistant Examiner*—Barbara Fox

(73) Assignee: **David Chiappetta**, Brooklyn, NY (US)

(74) *Attorney, Agent, or Firm*—Buckley, Maschoff &  
Talwalkar LLC

(\*\*) Term: **14 Years**

(57) **CLAIM**

(21) Appl. No.: **29/213,549**

The ornamental design for a one-piece guitar string cleaner,  
as shown and described.

(22) Filed: **Sep. 20, 2004**

(51) **LOC (8) Cl.** ..... **08-99**

**DESCRIPTION**

(52) **U.S. Cl.** ..... **D32/35**

FIG. 1 is a top perspective view of a one-piece guitar string  
cleaner in the open position showing our design;

(58) **Field of Classification Search** ..... D32/35,  
D32/40-46; D27/172, 183, 186; D99/99;  
D8/70.1, 71, 499; 15/210.1, 220.3, 220.4,  
15/256.6, 1; 84/453

FIG. 2 is a top plan view thereof;

See application file for complete search history.

FIG. 3 is a front side elevational view thereof, the rear side  
being a mirror image thereto;

(56) **References Cited**

FIG. 4 is a bottom plan view thereof;

**U.S. PATENT DOCUMENTS**

FIG. 5 is a left side elevational view thereof;

652,520 A \* 6/1900 Pletcher ..... 84/318

FIG. 6 is a right side elevational view thereof;

1,951,079 A \* 3/1934 Zihlman ..... 15/220.4

FIG. 7 is a bottom perspective view of a one-piece guitar  
string cleaner in the open position;

2,775,013 A \* 12/1956 Pedrero ..... 24/518

FIG. 8 is a bottom perspective view of a one-piece guitar  
cleaner in the closed position;

D180,034 S \* 4/1957 Robertson ..... D4/121

FIG. 9 is a top plan view thereof;

D188,356 S \* 7/1960 Hertzler ..... D8/70.1

FIG. 10 is a front side elevational view thereof, the rear side  
being a mirror image thereto;

3,971,287 A \* 7/1976 Ito ..... 84/453

FIG. 11 is a bottom plan view thereof;

4,972,543 A \* 11/1990 Michaels ..... 15/220.4

FIG. 12 is a left side elevational view thereof;

D329,374 S \* 9/1992 Kaga ..... D8/394

FIG. 13 is a right side elevational view thereof; and,

D350,232 S \* 9/1994 Stangarone et al. .... D4/116

FIG. 14 is a top perspective view of a one-piece guitar string  
cleaner in the closed position.

D365,425 S \* 12/1995 Breshears ..... D32/40

D367,744 S \* 3/1996 White ..... D32/61

5,569,863 A \* 10/1996 Lem ..... 84/312 R

D384,459 S \* 9/1997 Eisenman ..... D32/61

D428,224 S \* 7/2000 Alexander ..... D32/35

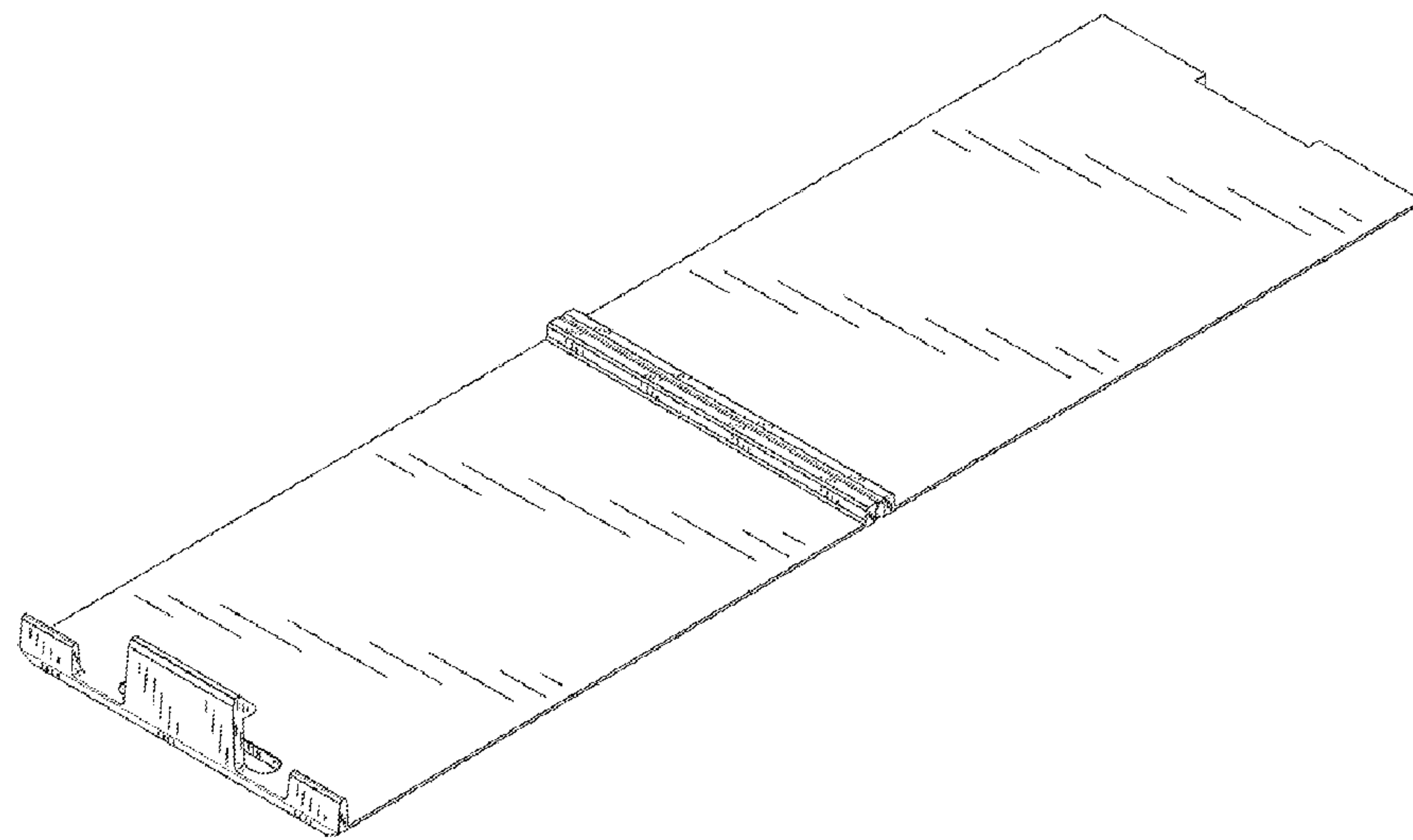
6,446,638 B1 \* 9/2002 Horman ..... 132/275

7,005,035 B2 \* 2/2006 O'Neill et al. .... 162/114

2005/0066794 A1 \* 3/2005 Beerbohm ..... 84/453

2005/0145096 A1 \* 7/2005 Kalousek ..... 84/453

**1 Claim, 8 Drawing Sheets**



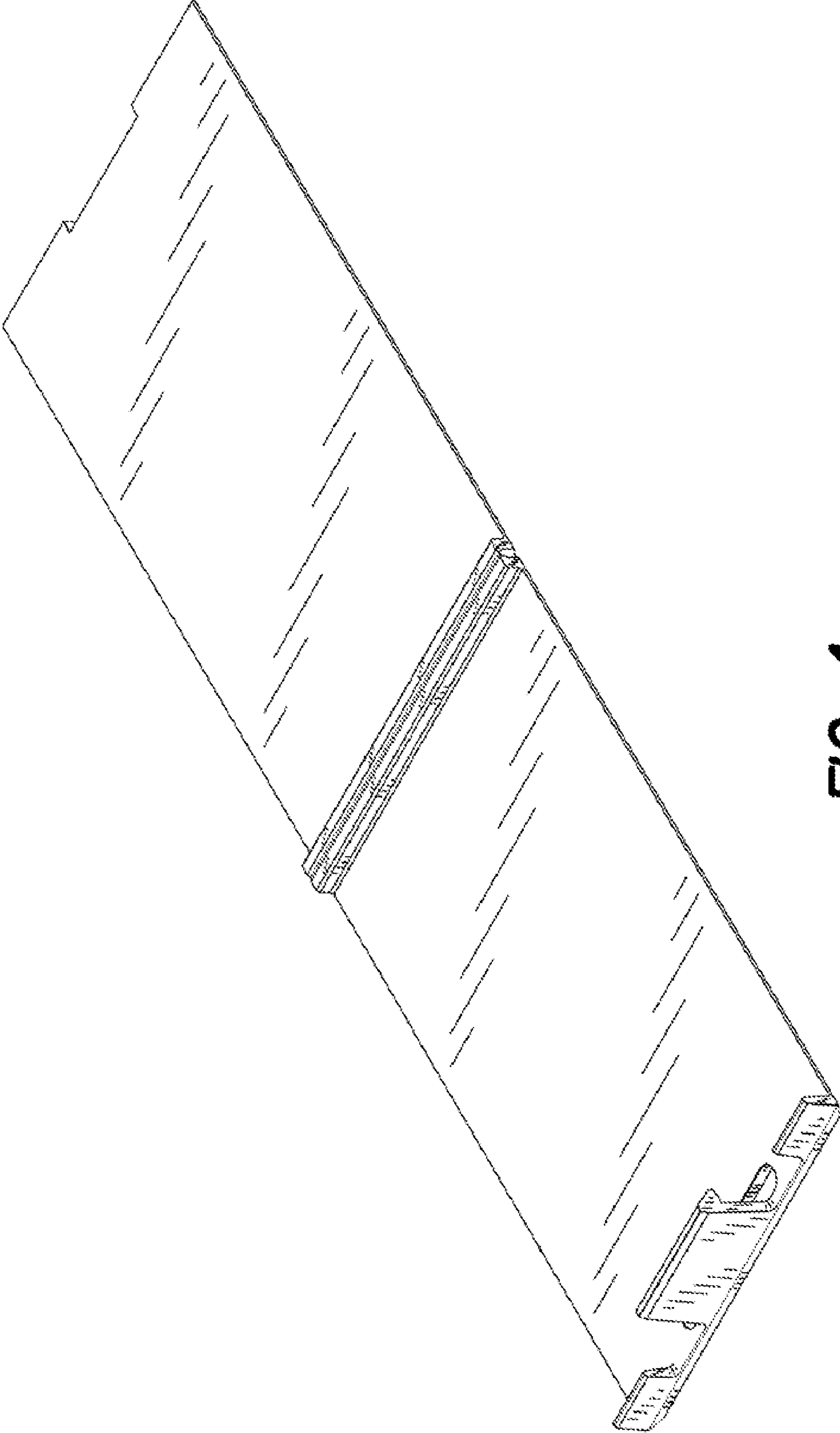


FIG. 1

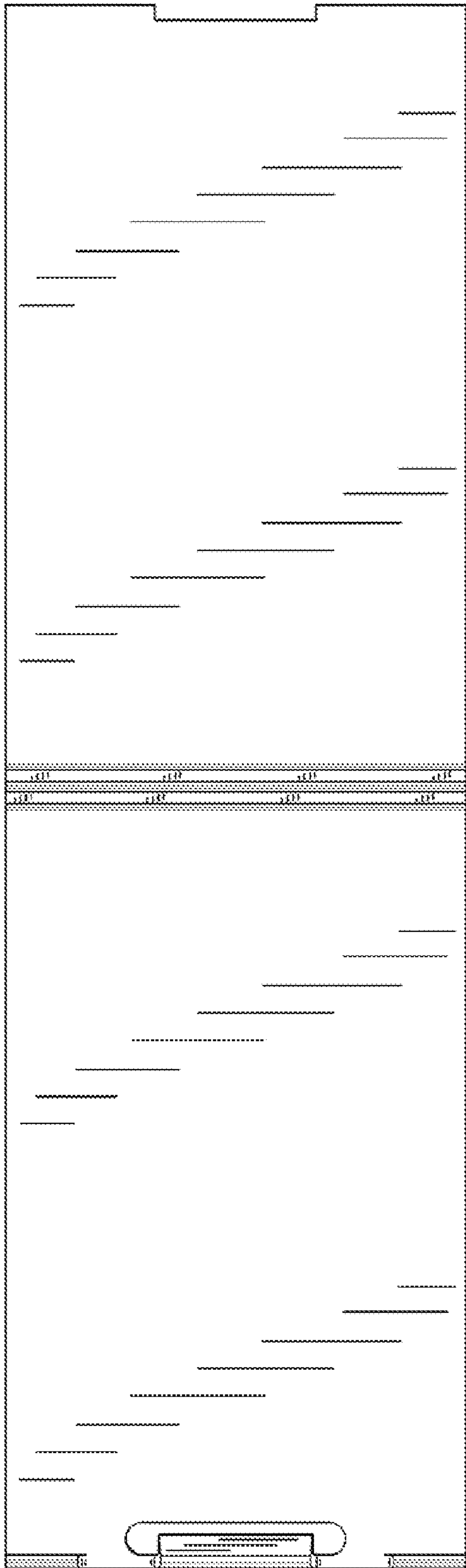


FIG. 2

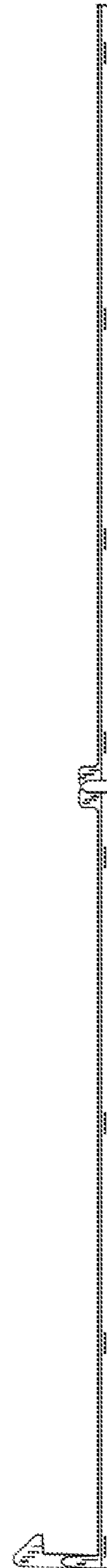


FIG. 3

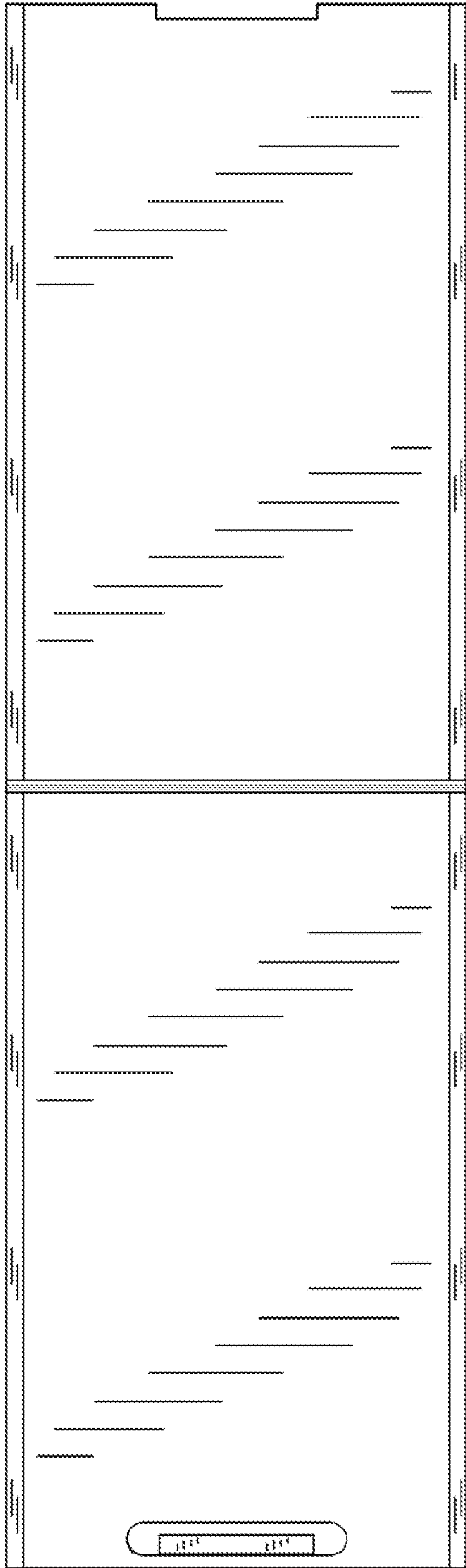


FIG. 4

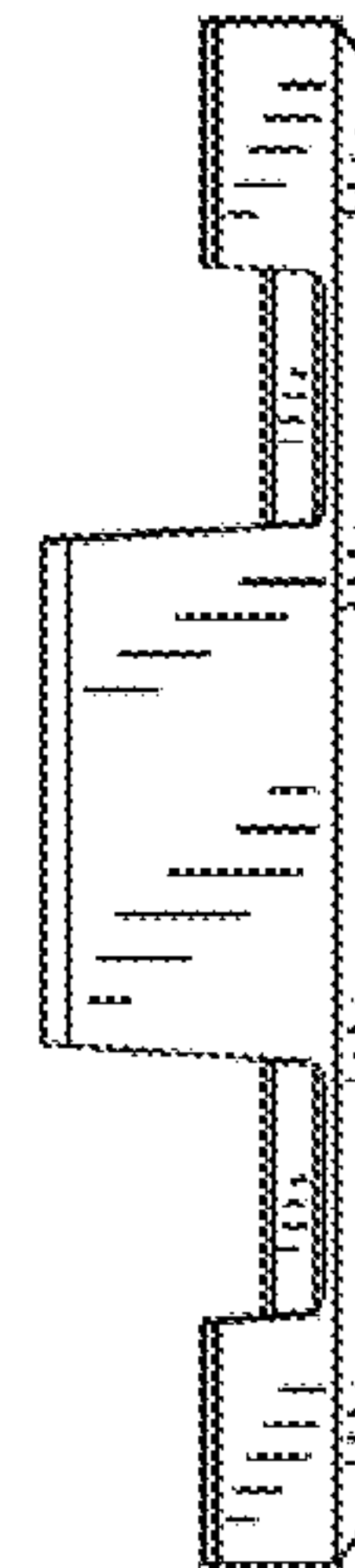


FIG. 5

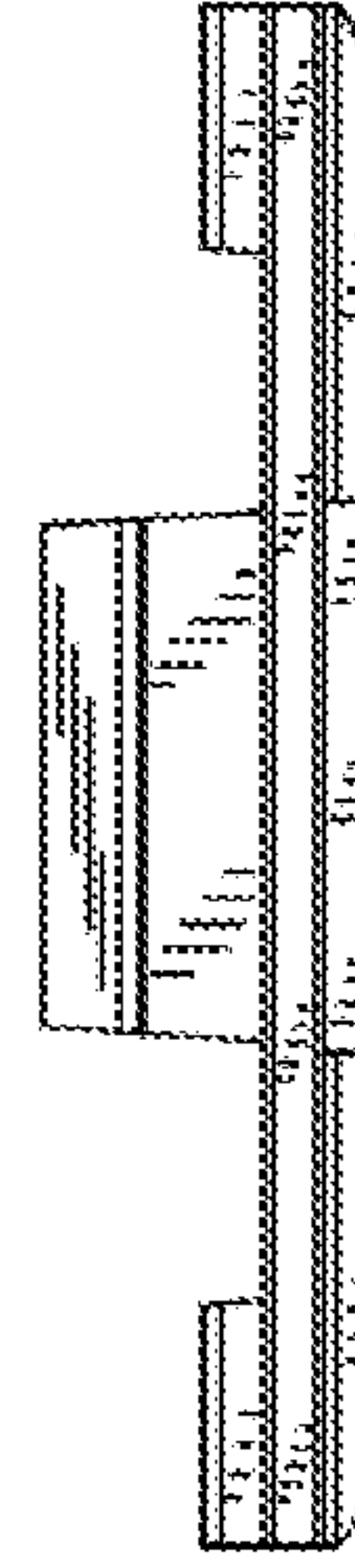


FIG. 6

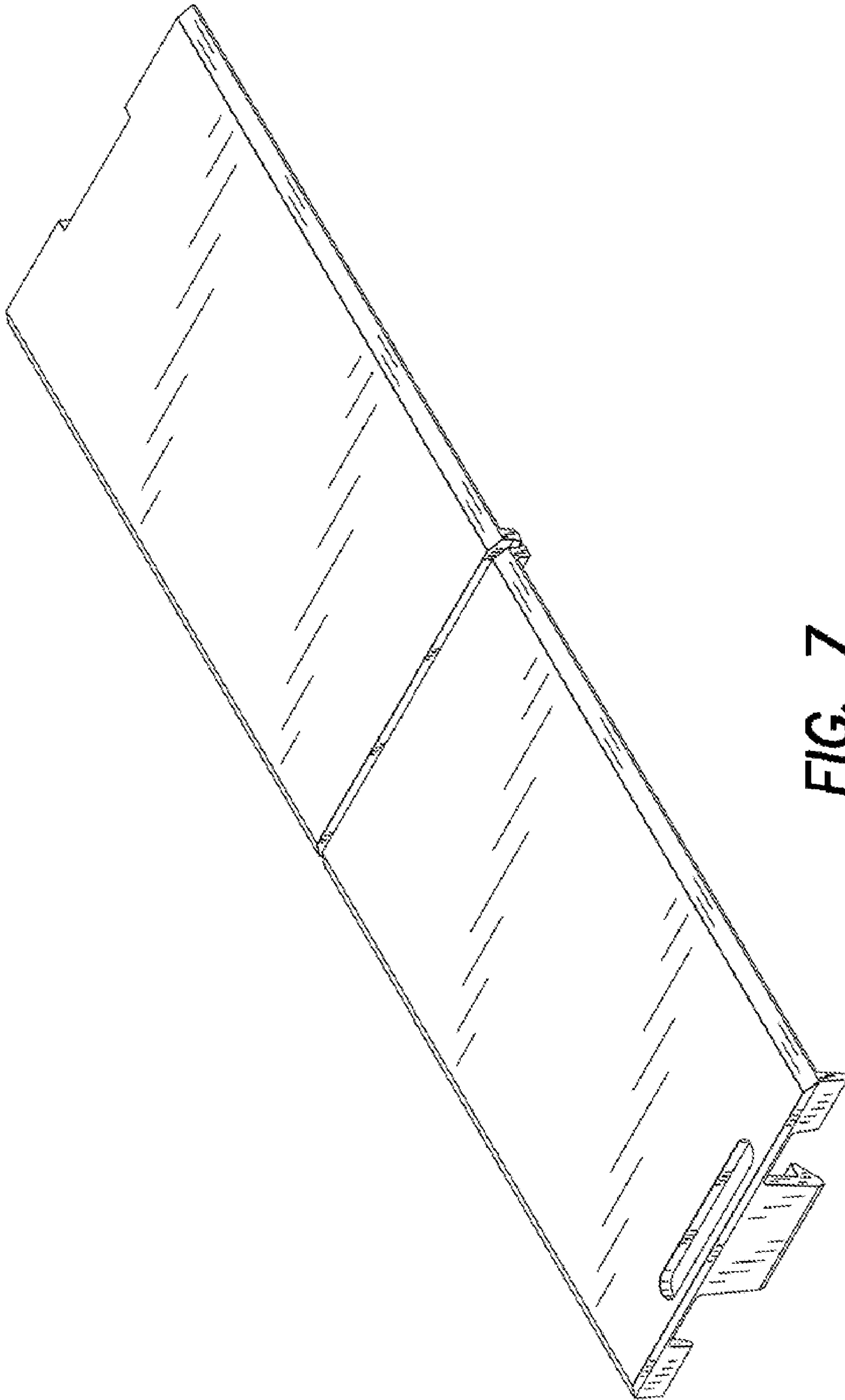


FIG. 7



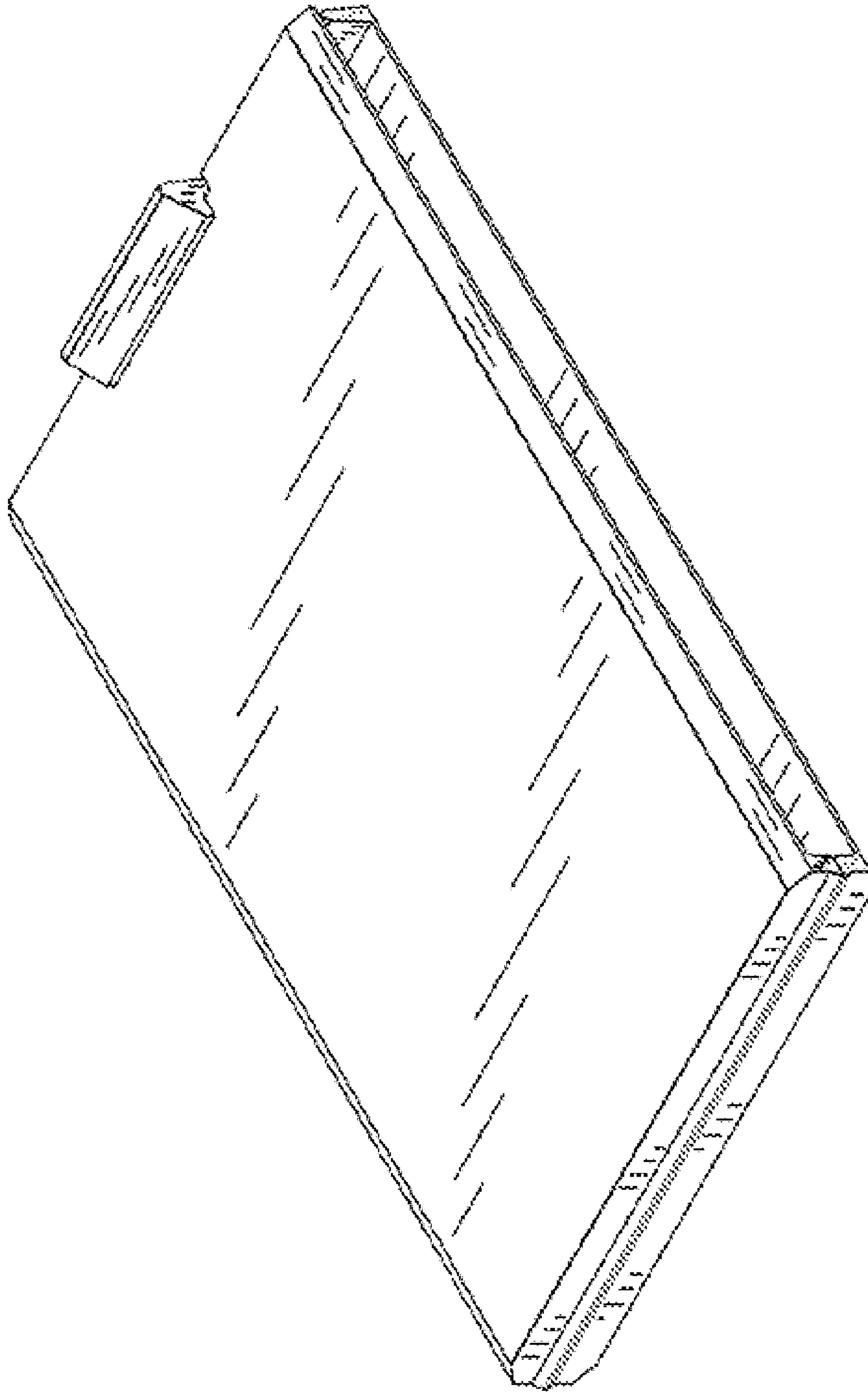
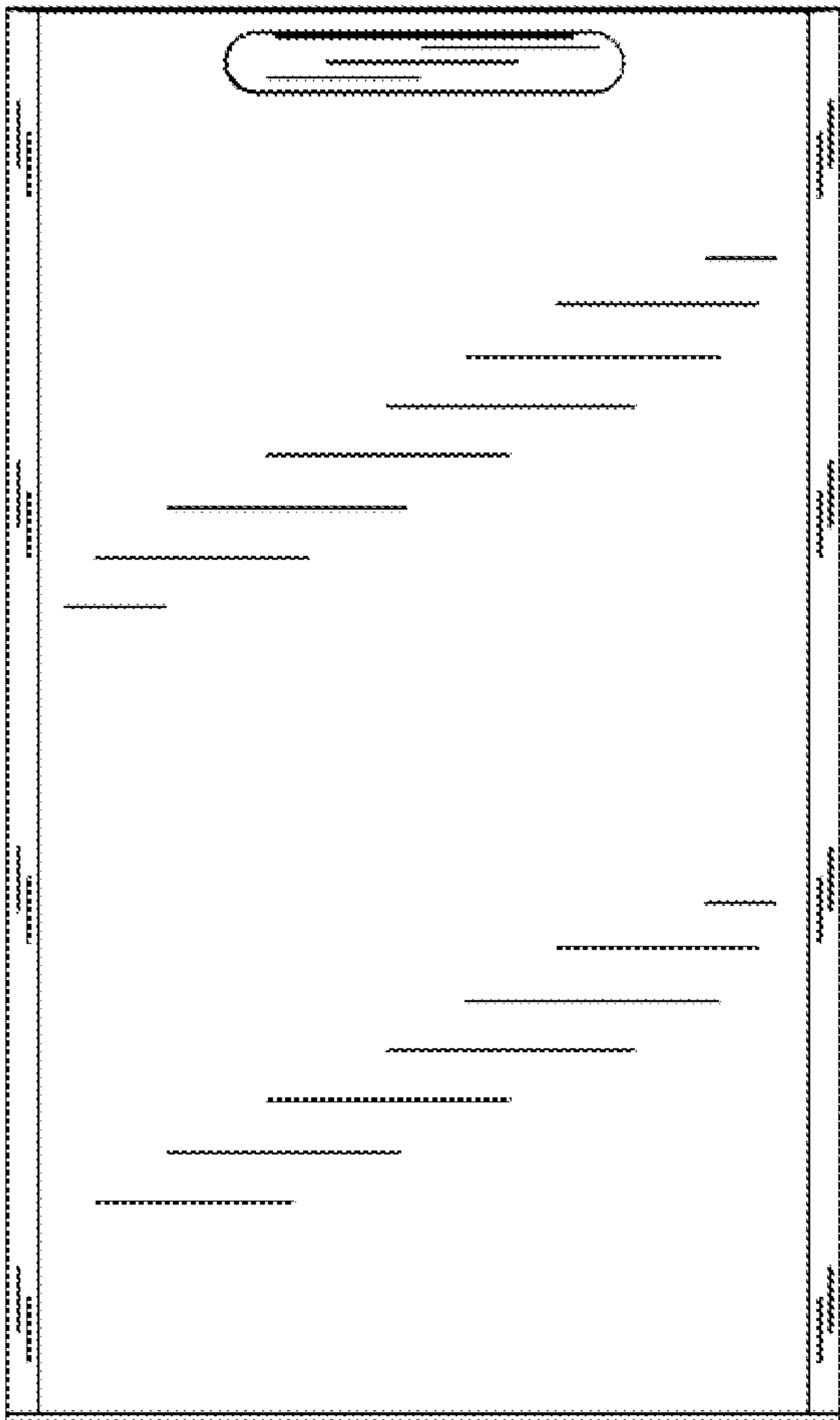
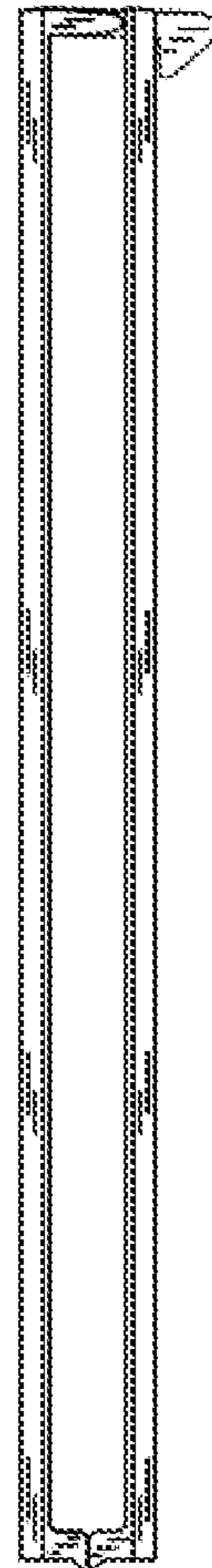


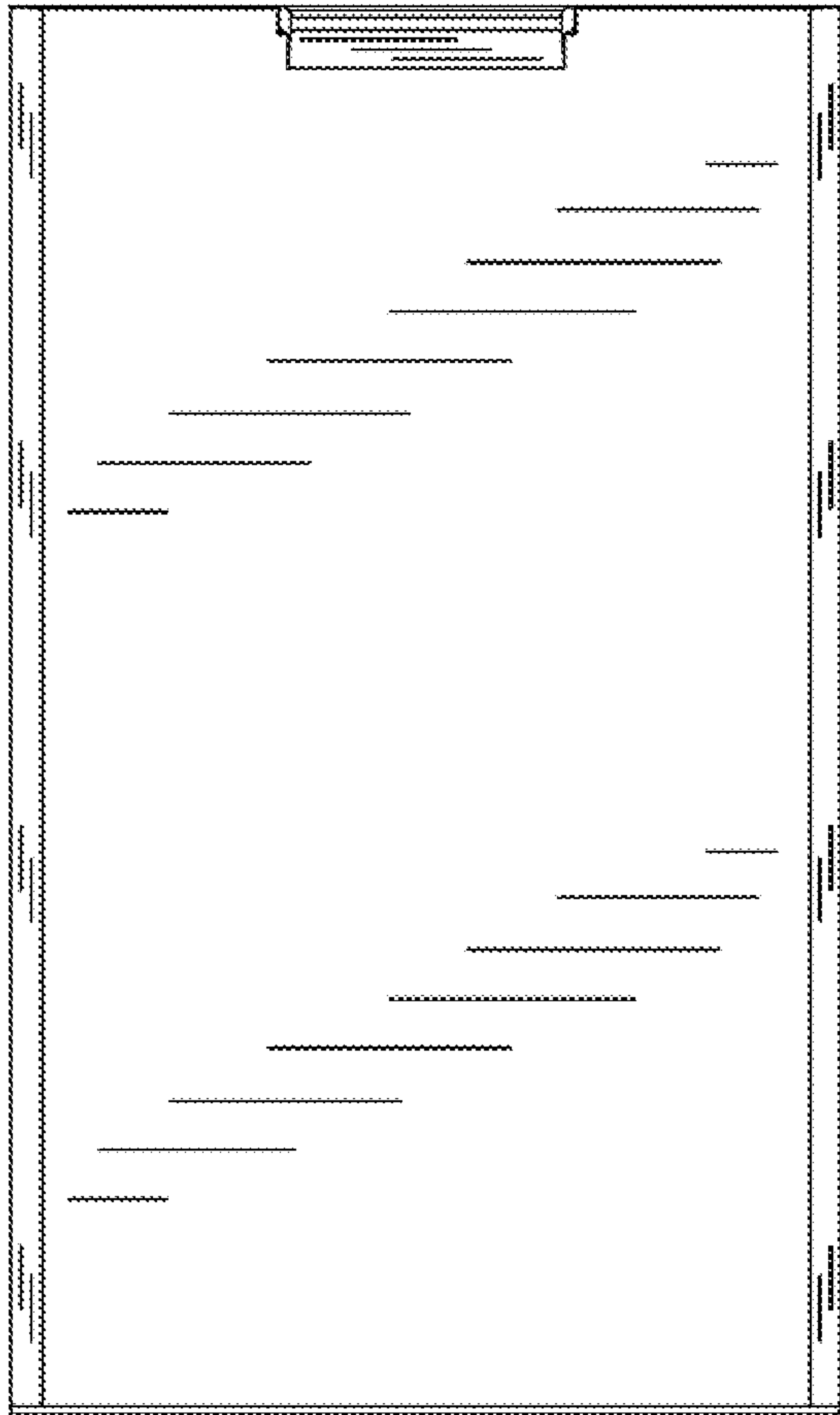
FIG. 8



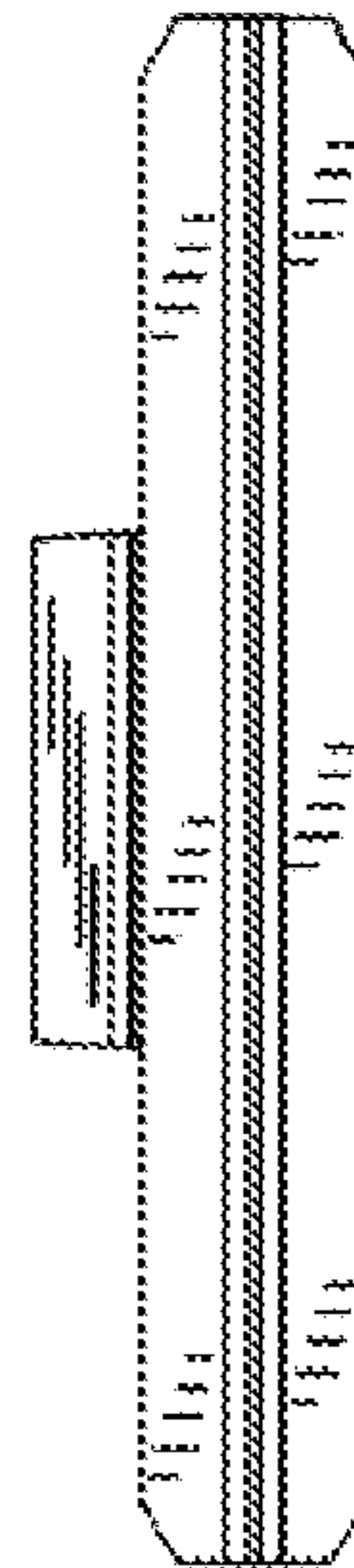
**FIG. 9**



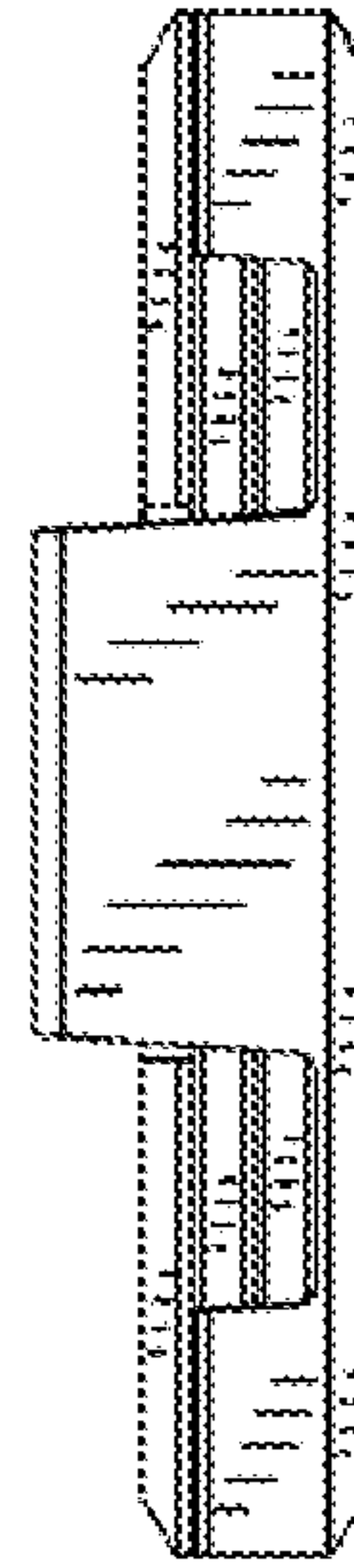
**FIG. 10**



**FIG. 11**

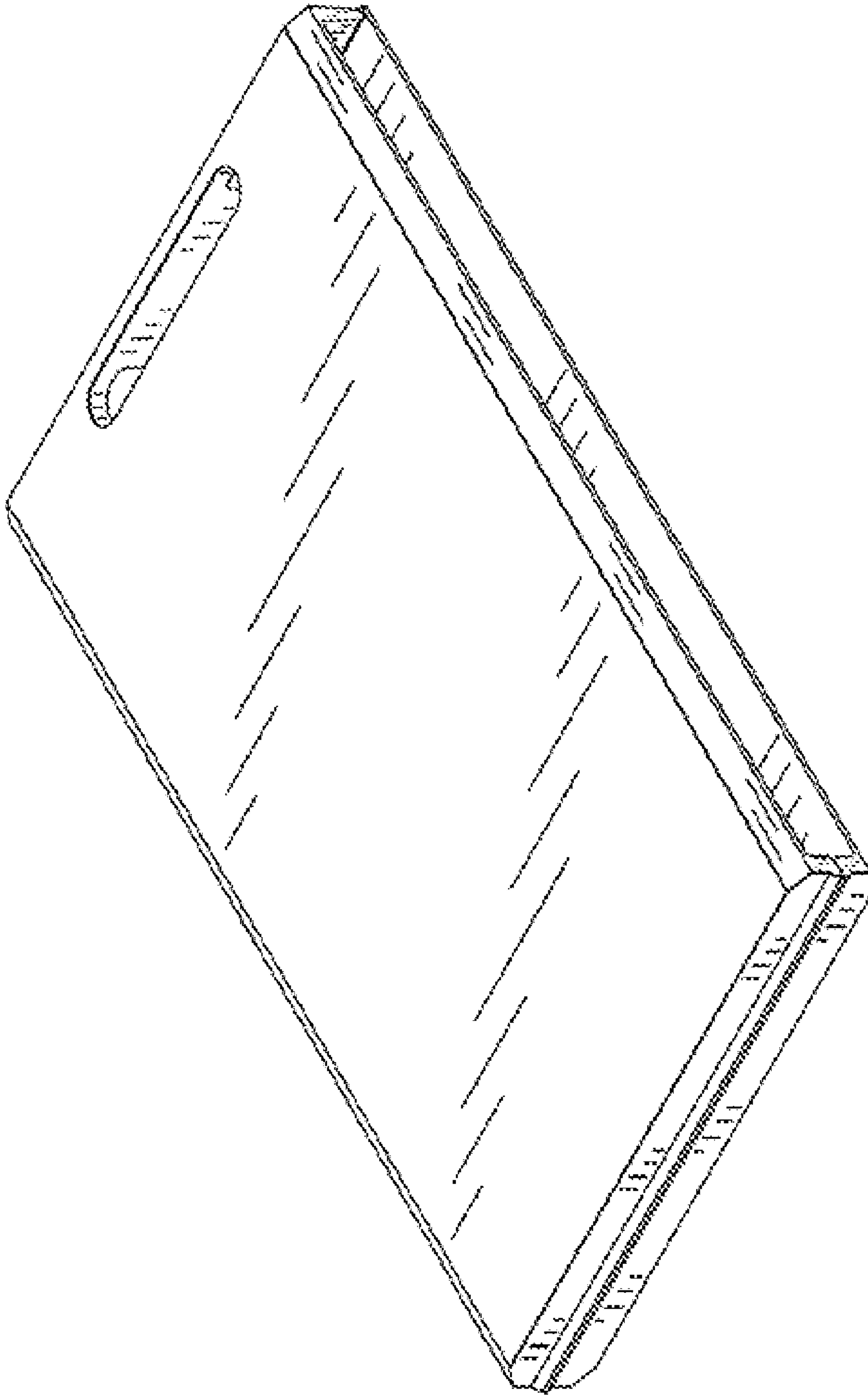


**FIG. 12**



**FIG. 13**





**FIG. 14**