



US00D563066S

(12) **United States Design Patent**
Shevlin

(10) **Patent No.:** **US D563,066 S**

(45) **Date of Patent:** **** Feb. 26, 2008**

(54) **SUPPORT ASSEMBLY FOR A CLEANING APPLIANCE**

(75) Inventor: **Gerard Matthew Shevlin**, Wiltshire (GB)

(73) Assignee: **Dyson Limited**, Wiltshire (GB)

(**) Term: **14 Years**

(21) Appl. No.: **29/273,303**

(22) Filed: **Mar. 2, 2007**

(30) **Foreign Application Priority Data**

Sep. 5, 2006 (GB) 3025867

(51) **LOC (8) Cl.** **15-05**

(52) **U.S. Cl.** **D32/31**

(58) **Field of Classification Search** D32/21-24, D32/31-33, 40-42, 45, 50-51; 15/244.1, 15/209.1, 228, 350-353, 361, 320-322, 400-401, 15/412-414, 415.1-422, 422.1, 327.1-327.7, 15/411, 323, 339; D12/204-213; D21/779, D21/563; 401/138, 268; 280/47.11
See application file for complete search history.

(56) **References Cited**

U.S. PATENT DOCUMENTS

2,550,384 A * 4/1951 Senne 55/356
2,686,330 A * 8/1954 Wales 15/327.4
3,794,351 A * 2/1974 Cudmore 280/204
5,584,095 A * 12/1996 Redding et al. 15/411

D517,632 S * 3/2006 Chen D21/779
D517,633 S * 3/2006 Chen D21/779
D544,156 S * 6/2007 Dyson et al. D32/25
2005/0223516 A1* 10/2005 Courtney 15/351

FOREIGN PATENT DOCUMENTS

GB 2391459 * 11/2004

* cited by examiner

Primary Examiner—Ruth McInroy

(74) *Attorney, Agent, or Firm*—Morrison & Foerster LLP

(57) **CLAIM**

We claim the ornamental design for a support assembly for a cleaning appliance, as shown and described.

DESCRIPTION

FIG. 1 is a perspective view of a support assembly for a cleaning appliance showing our new design;

FIG. 2 is a top view thereof;

FIG. 3 is a bottom view thereof;

FIG. 4 is a side view thereof;

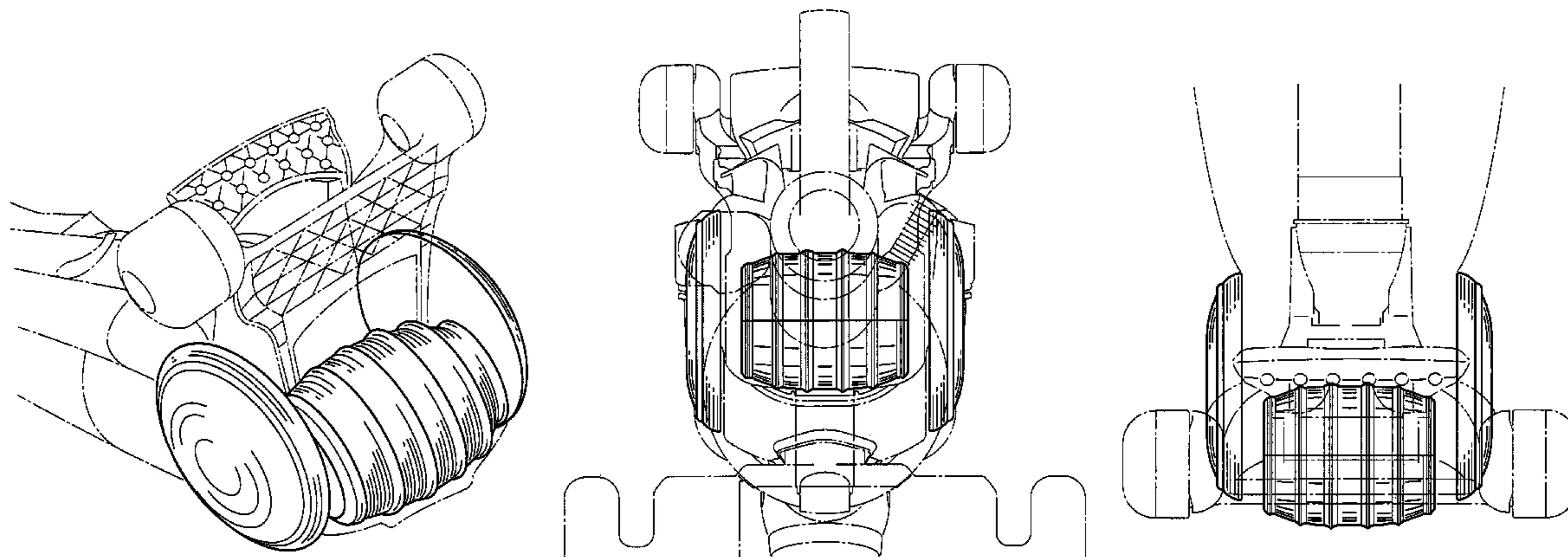
FIG. 5 is a side view of the opposite side of FIG. 4;

FIG. 6 is a front view thereof; and,

FIG. 7 is a rear view thereof.

The features of the design as claimed by applicants are shown in bold lines. The features shown in dotted lines are not claimed and are provided to indicate the context of the design.

1 Claim, 7 Drawing Sheets



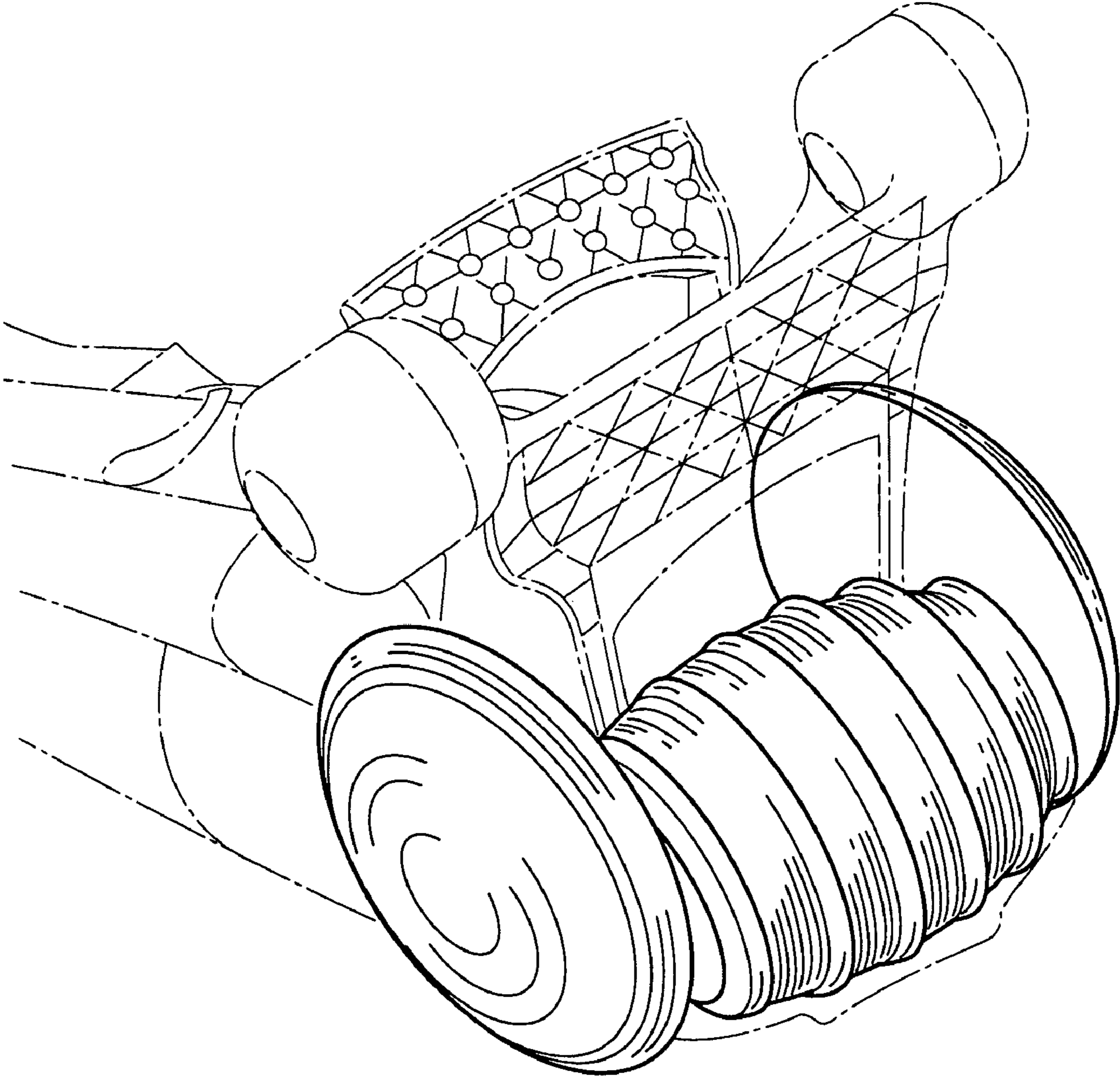


Fig. 1

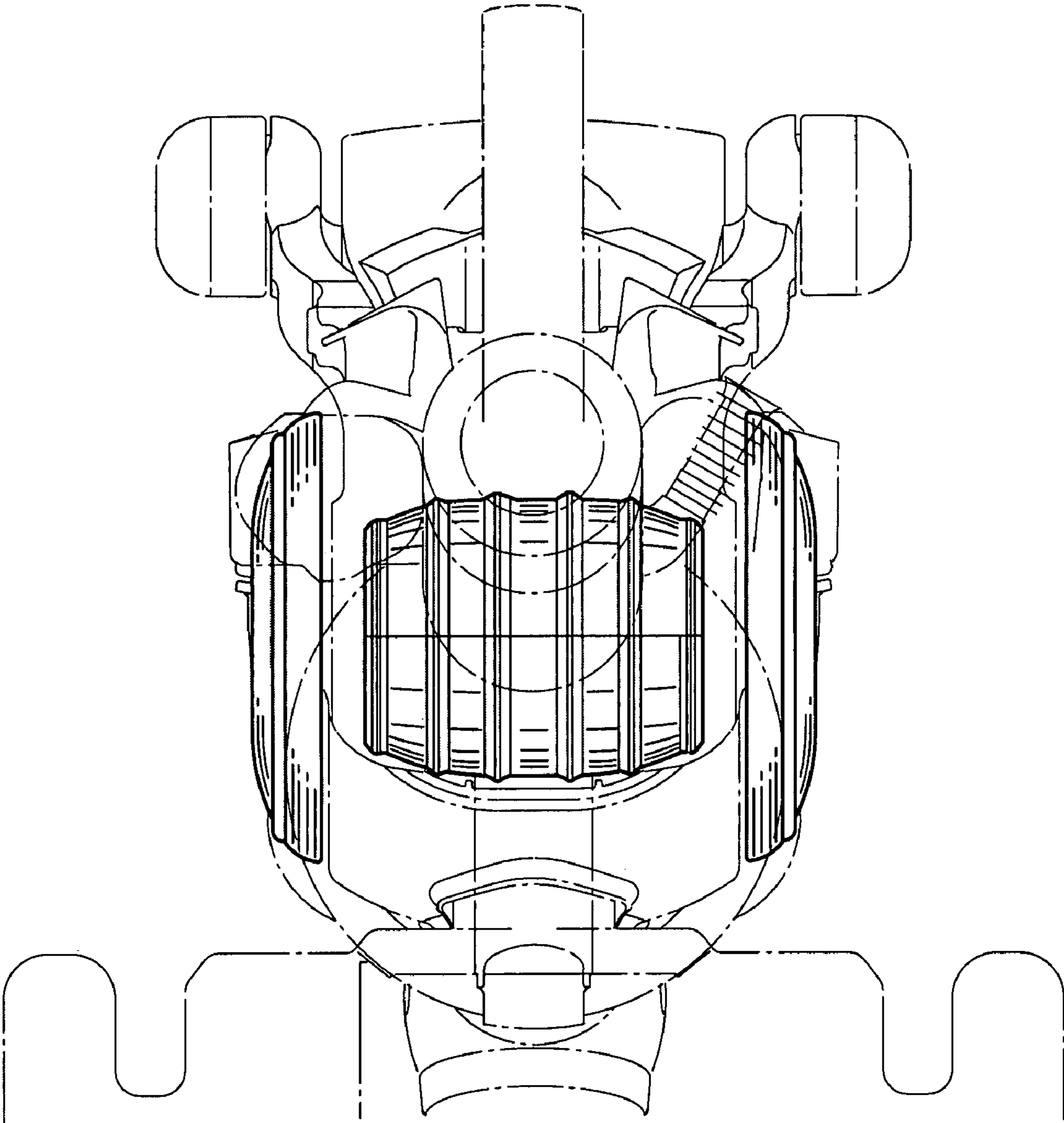


Fig. 2

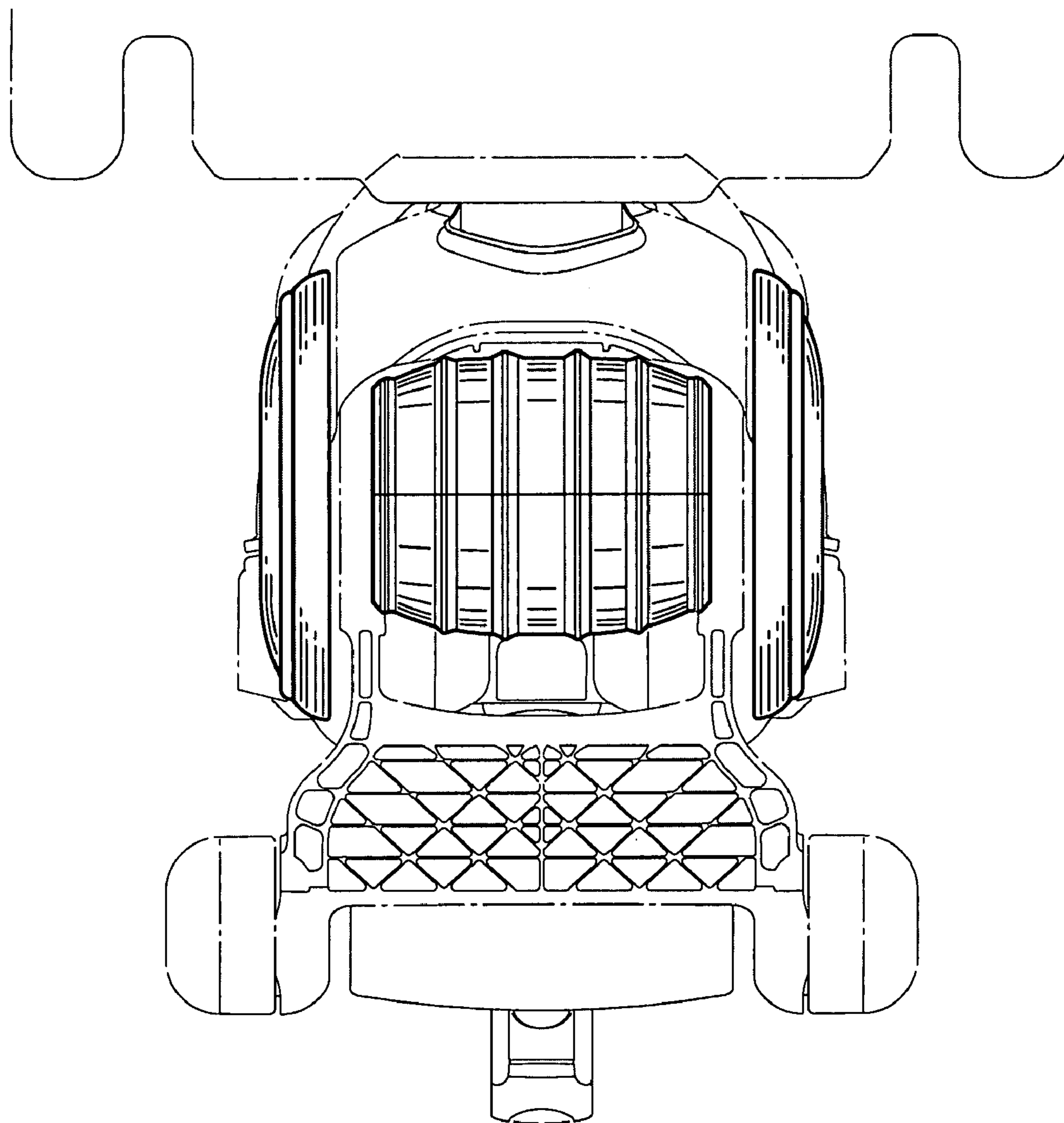


Fig. 3

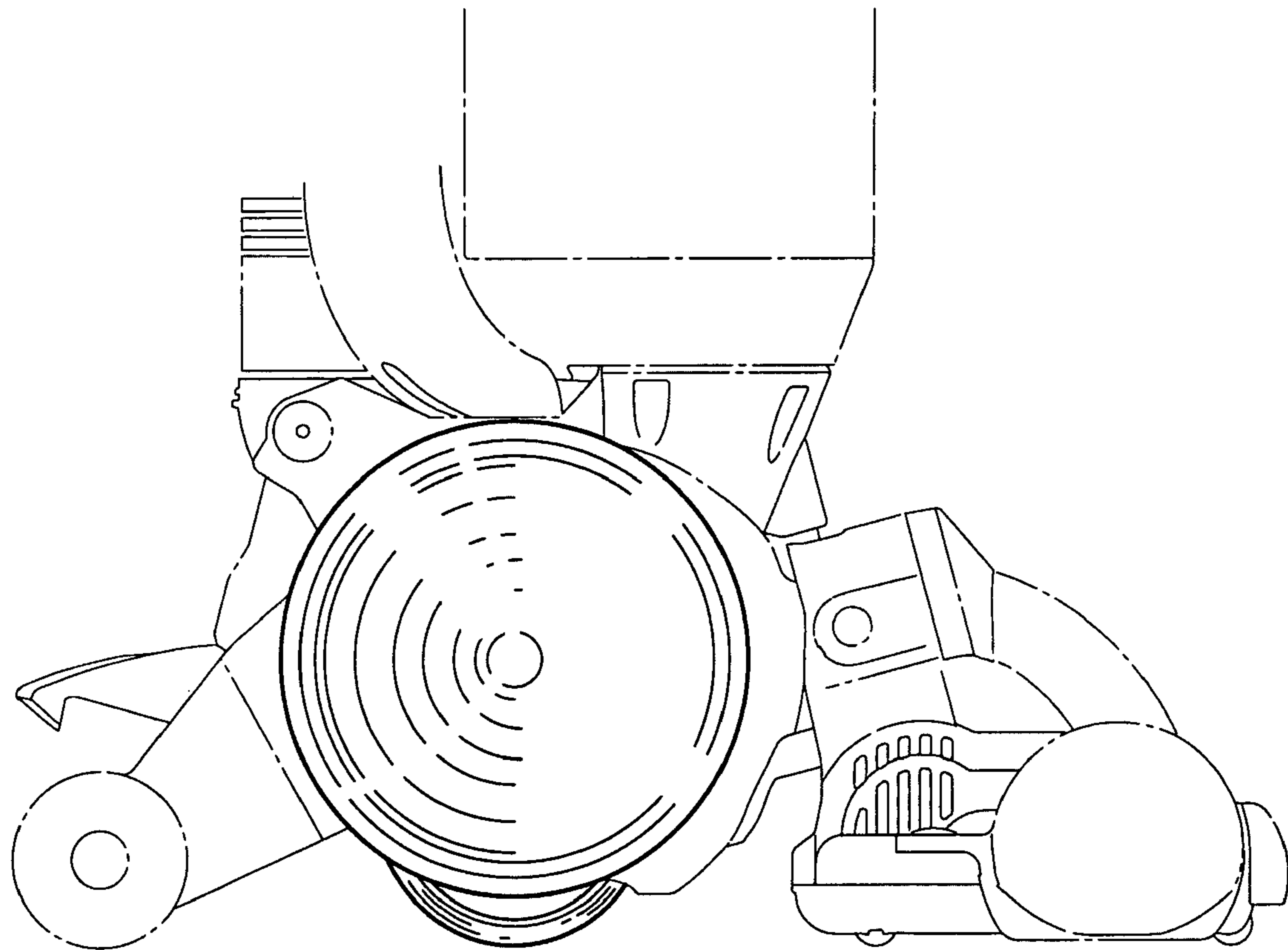


Fig. 4

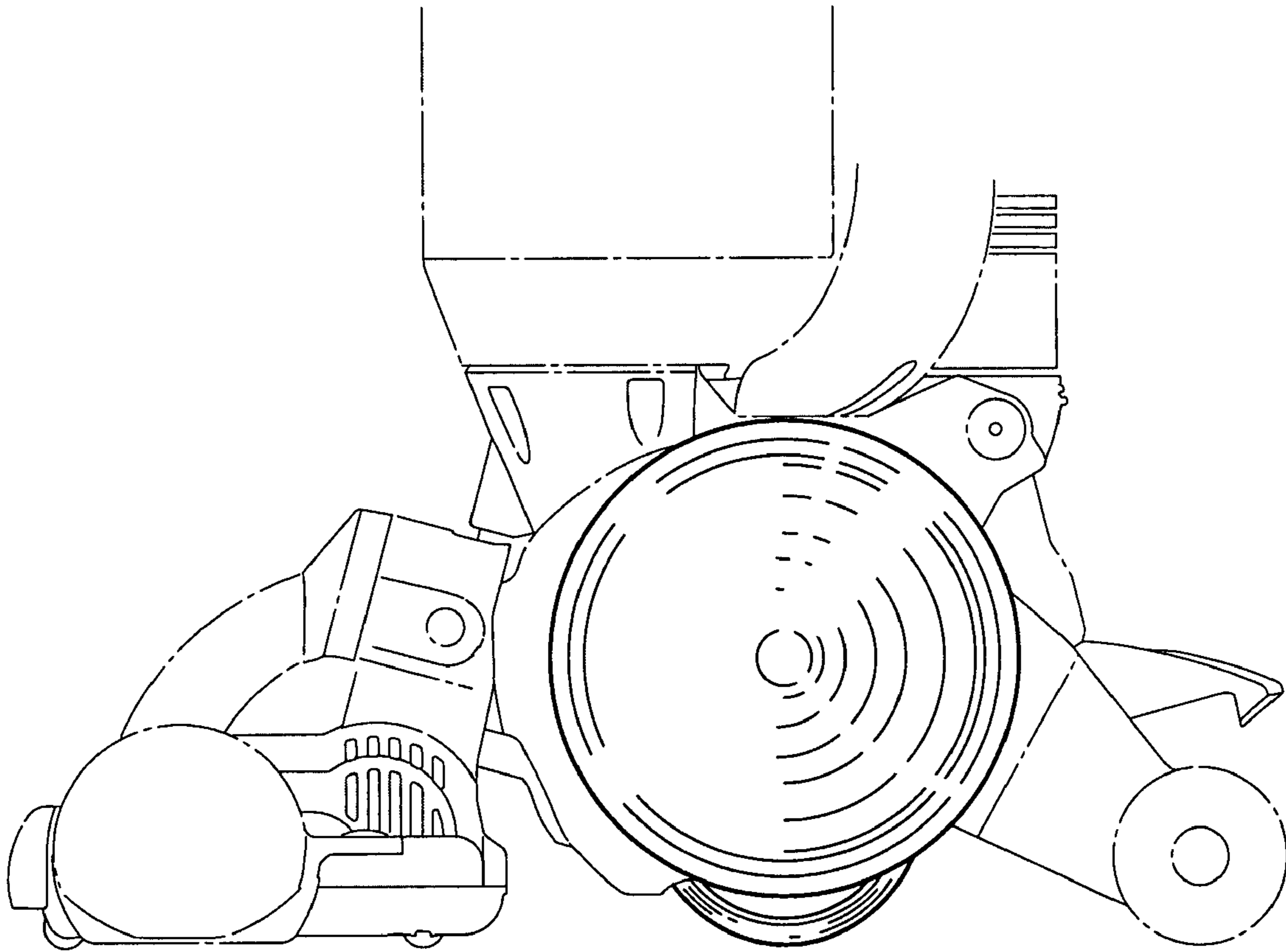


Fig. 5

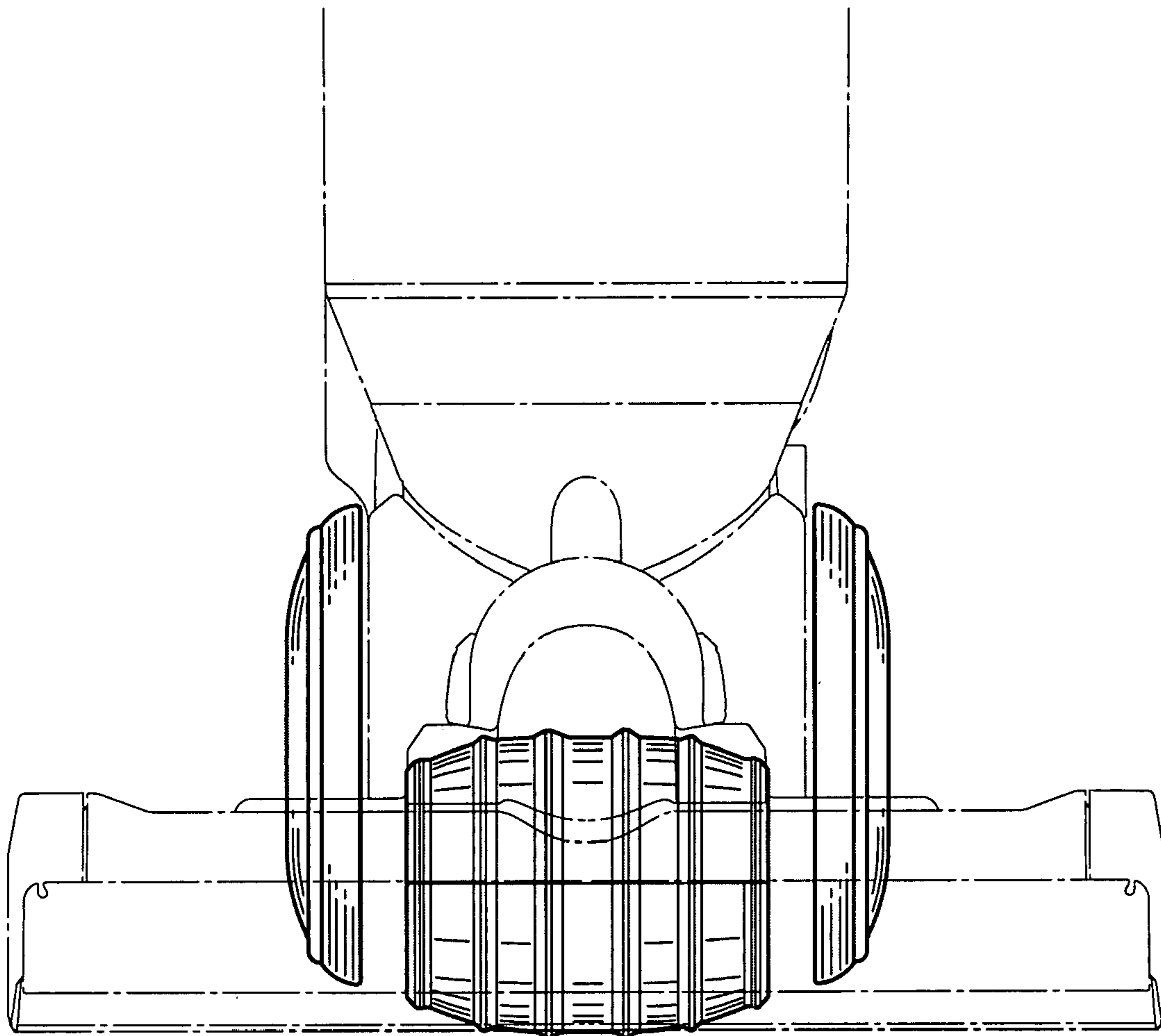


Fig. 6

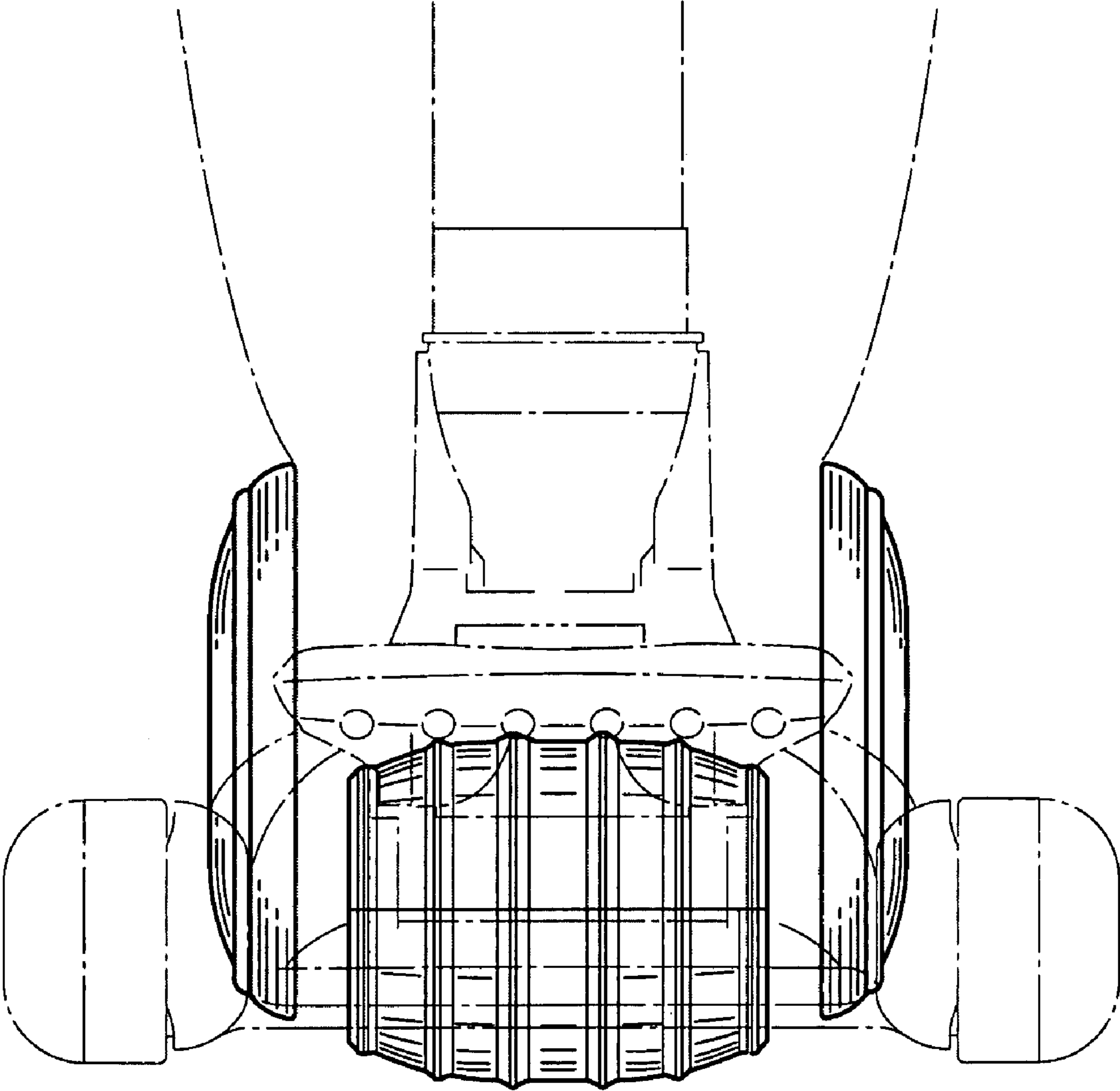


Fig. 7