

US00D563064S

(12) **United States Design Patent**
Vezina

(10) **Patent No.:** **US D563,064 S**

(45) **Date of Patent:** **** Feb. 26, 2008**

(54) **VACUUM CLEANER**

(76) Inventor: **Romeo H Vezina**, 546 LeBlanc Rd.,
Barton, VT (US) 05822

(**) Term: **14 Years**

(21) Appl. No.: **29/255,532**

(22) Filed: **Mar. 9, 2006**

(51) **LOC (8) Cl.** **15-05**

(52) **U.S. Cl.** **D32/24**

(58) **Field of Classification Search** D32/21,
D32/23-24, 31; 15/257.01, 301, 315, 319-321,
15/323, 327.1-327.4, 327.6-327.7, 329,
15/336, 347, 352-353, 412; 55/337, 429,
55/345; 95/271; 210/512.1, 512.2; 211/87.01,
211/13.1; 700/245

See application file for complete search history.

(56) **References Cited**

U.S. PATENT DOCUMENTS

D98,824 S	3/1936	Geddes	
D132,815 S	6/1942	Stevens	
2,367,437 A	1/1945	Salt	
D175,345 S	8/1955	Guild et al.	
D235,409 S	6/1975	Mims	
D272,571 S *	2/1984	Tarnowski et al.	D32/21

D285,619 S	9/1986	Nado et al.	
D312,902 S *	12/1990	Essex et al.	D32/24
5,205,013 A	4/1993	Lopes	
5,638,573 A	6/1997	Martin et al.	
D432,745 S *	10/2000	Beulac	D32/21
D446,365 S	8/2001	Bisson	
D455,240 S *	4/2002	Paterson et al.	D32/21
D459,039 S	6/2002	Bisson	

* cited by examiner

Primary Examiner—Ruth McInroy

(74) *Attorney, Agent, or Firm*—Howard J Walter, Jr.

(57) **CLAIM**

The ornamental design for a vacuum cleaner, as shown and described.

DESCRIPTION

FIG. 1 is a perspective view of a vacuum cleaner showing my new design.

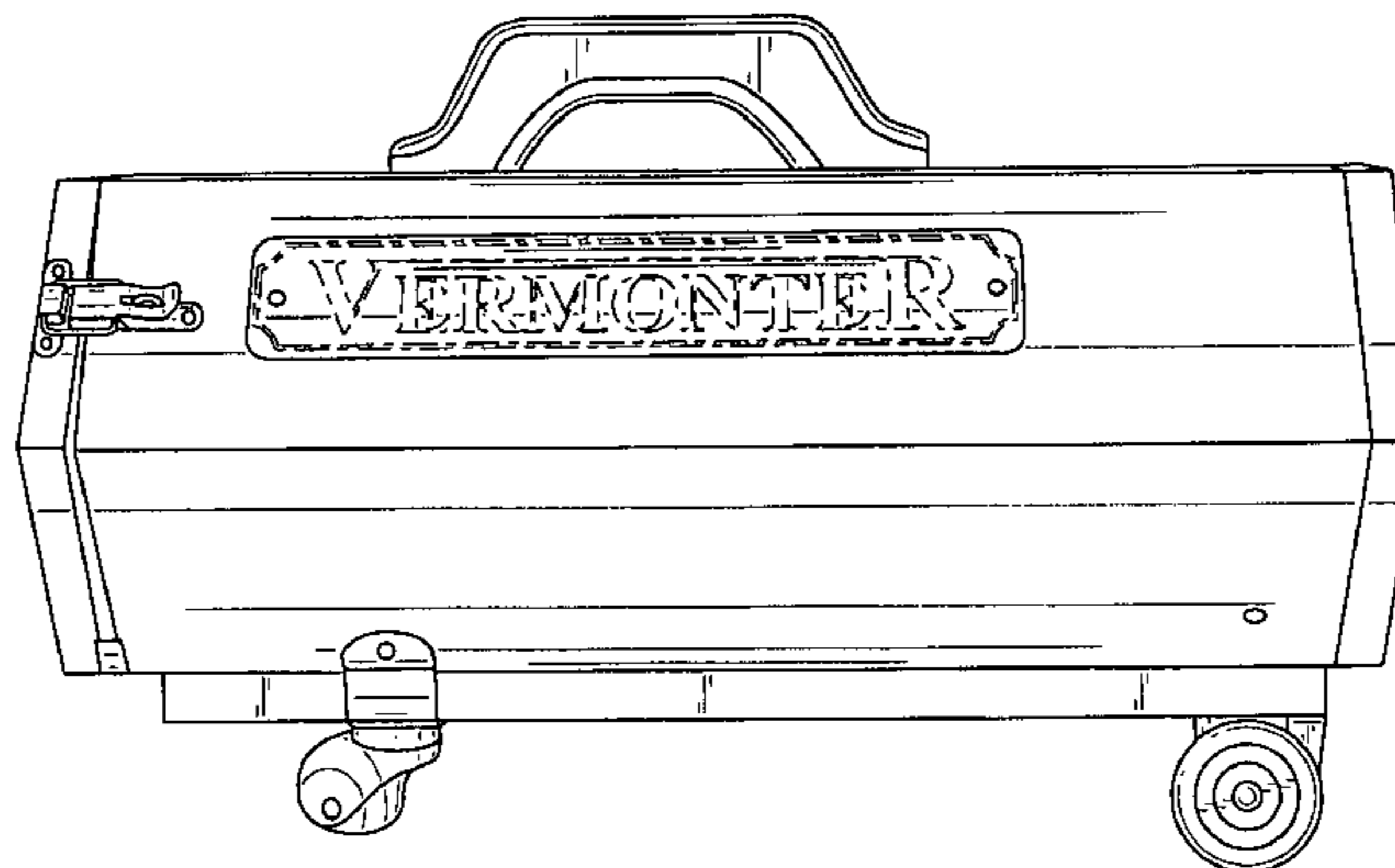
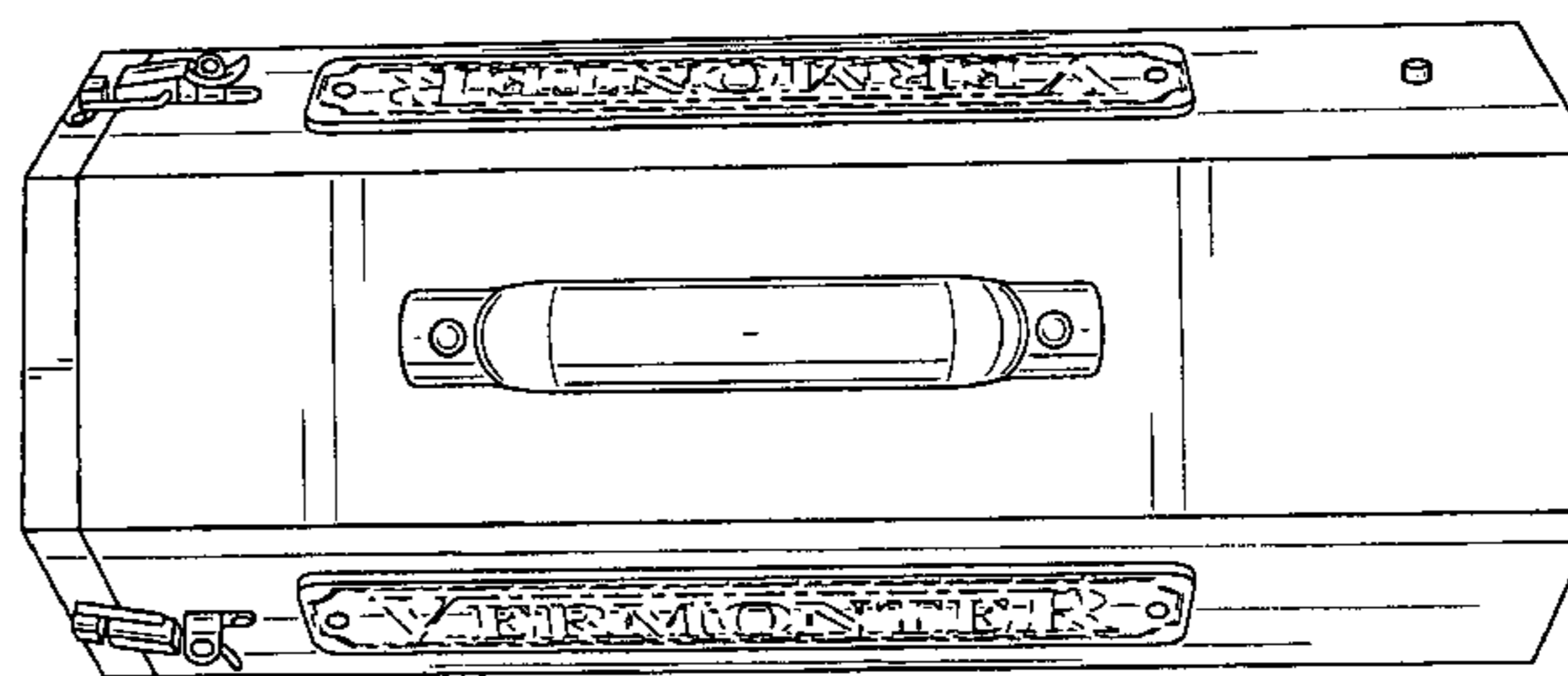
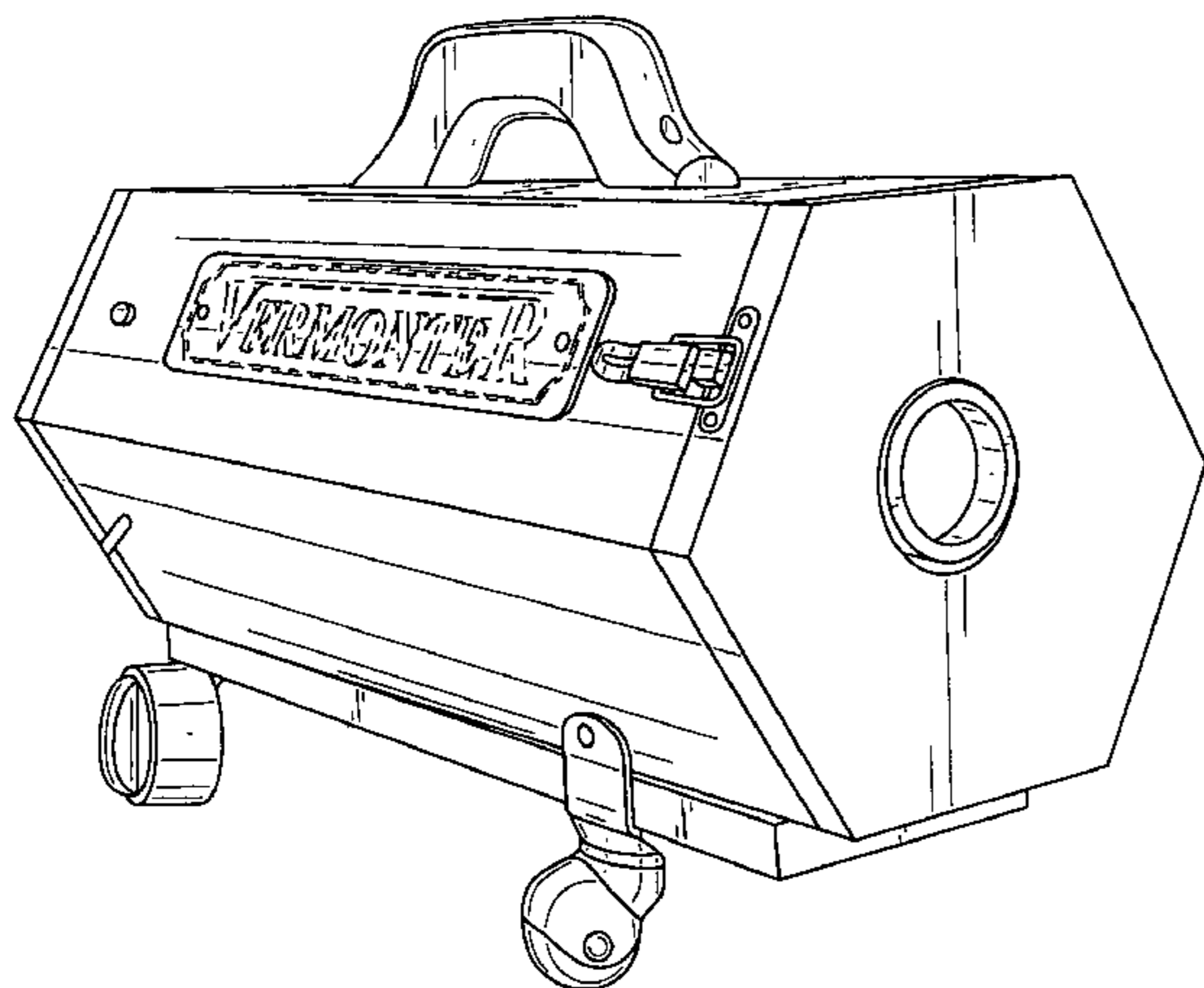
FIG. 2 is a front elevation view thereof.

FIG. 3 is a rear elevation view thereof.

FIG. 4 is a top plan view thereof; and,

FIG. 5 is a left side elevation view thereof.

1 Claim, 3 Drawing Sheets



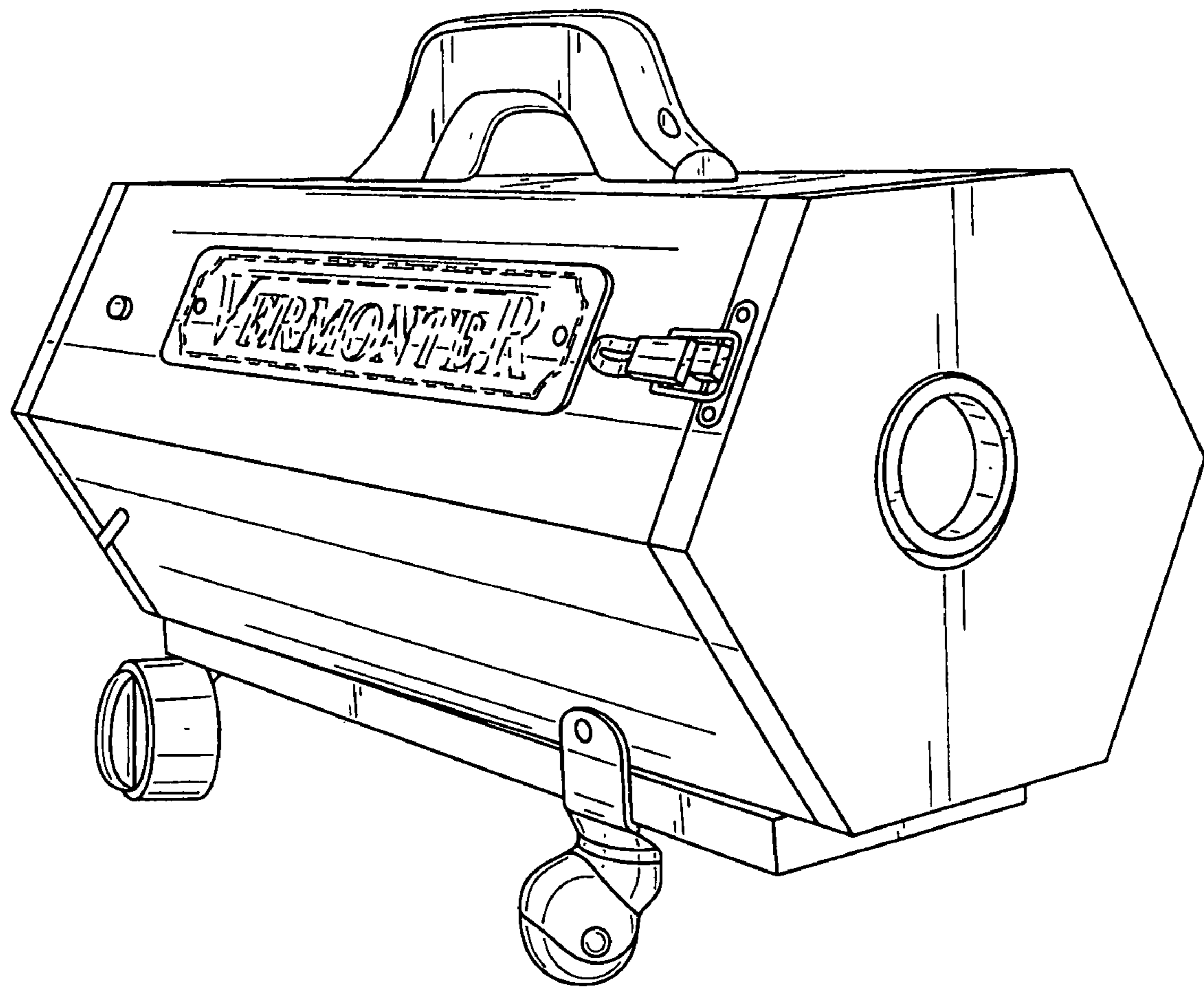


FIG. 1

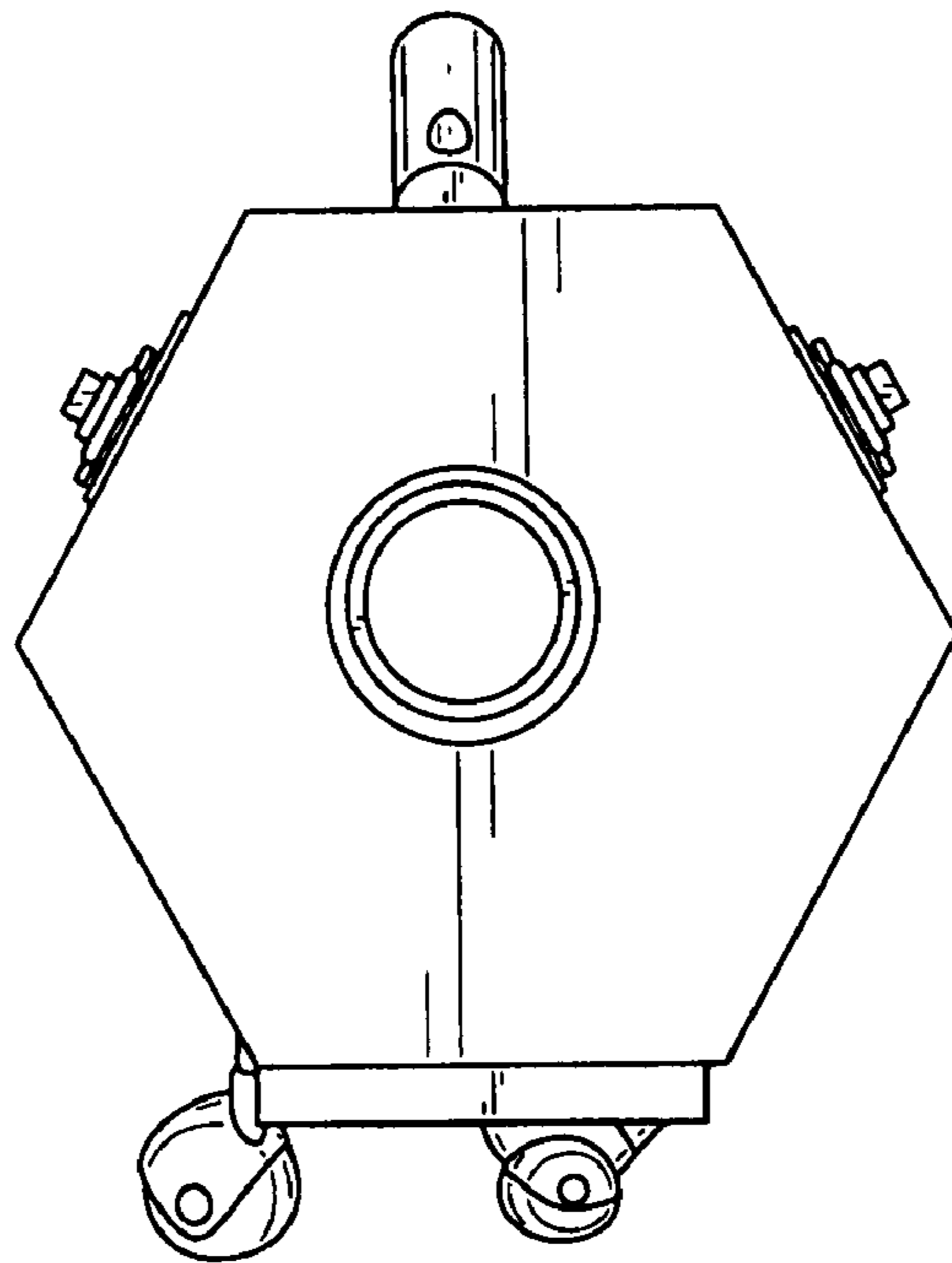


FIG. 2

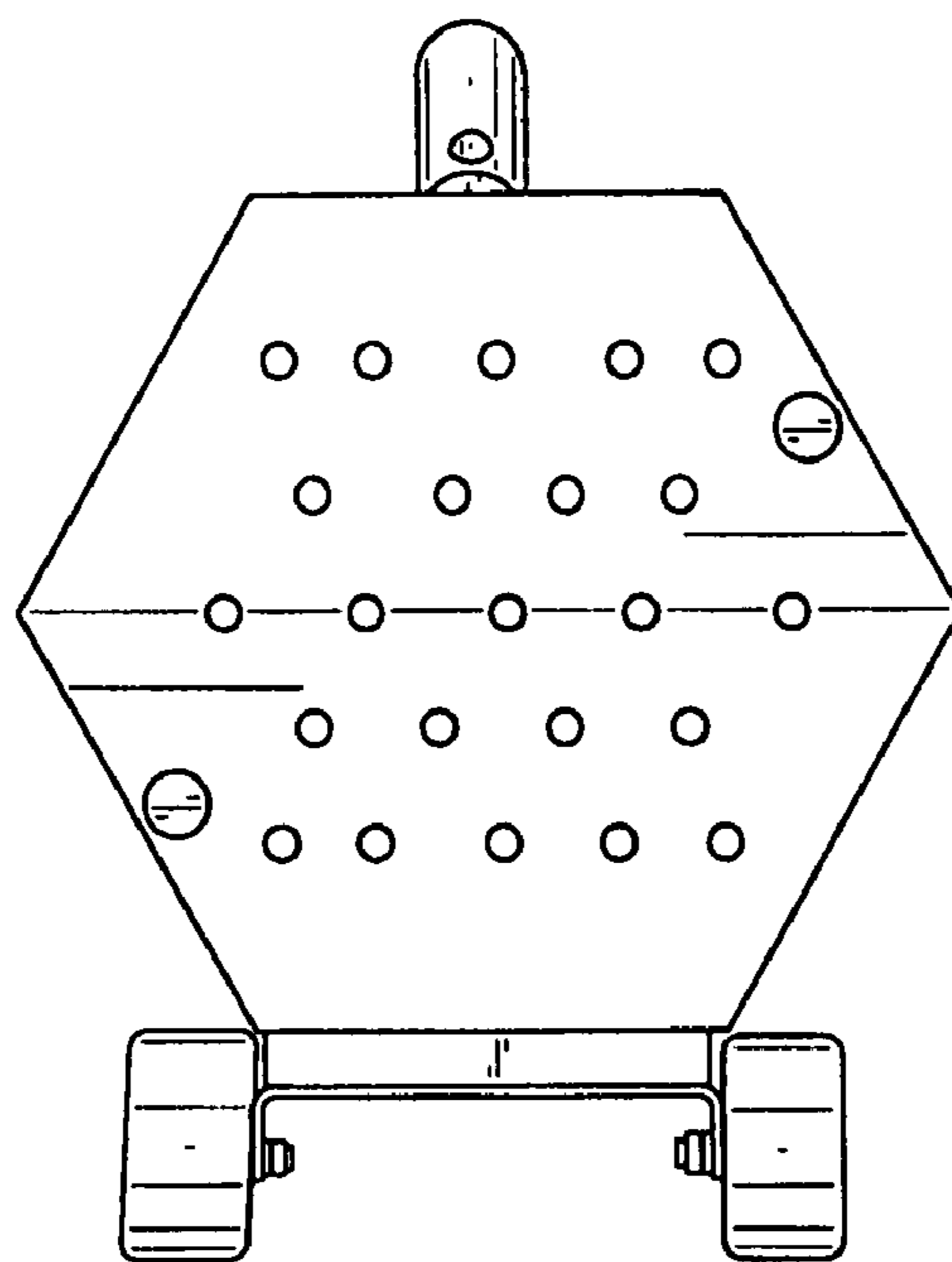


FIG. 3

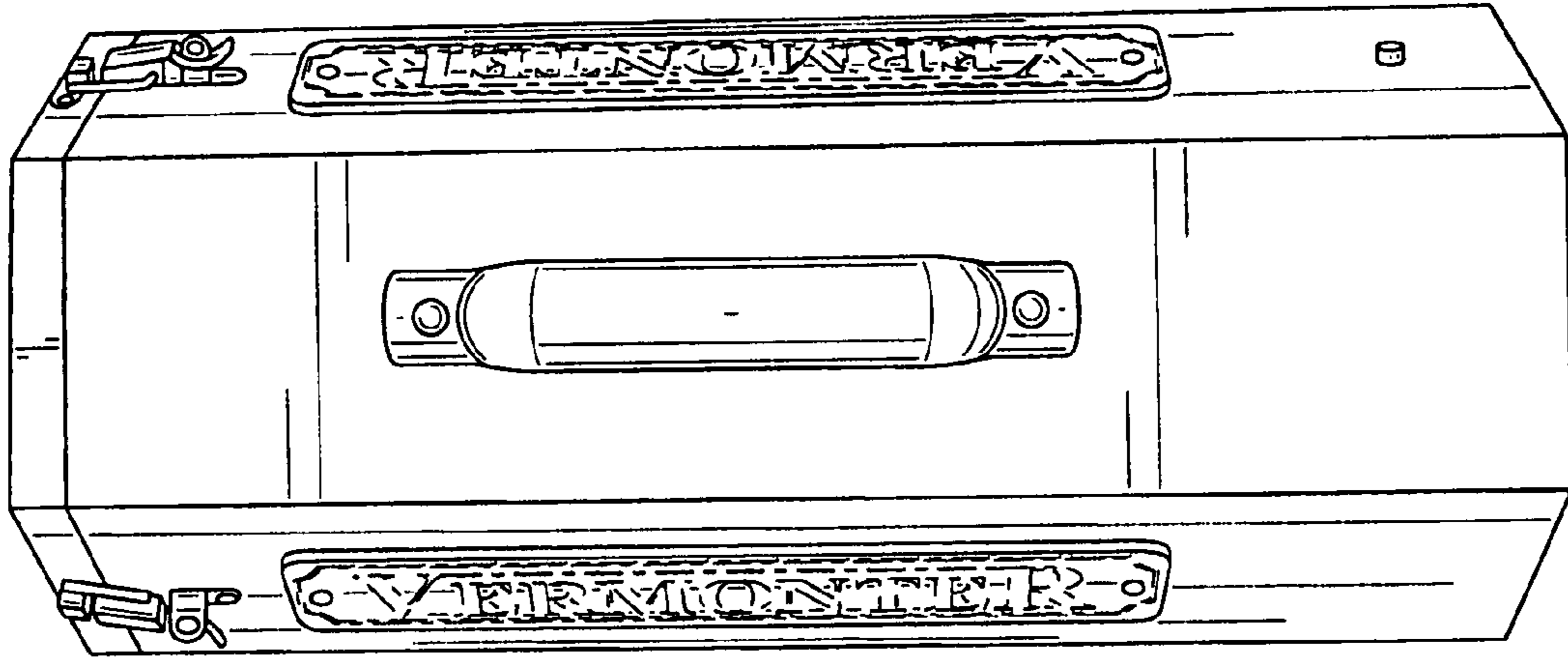


FIG. 4

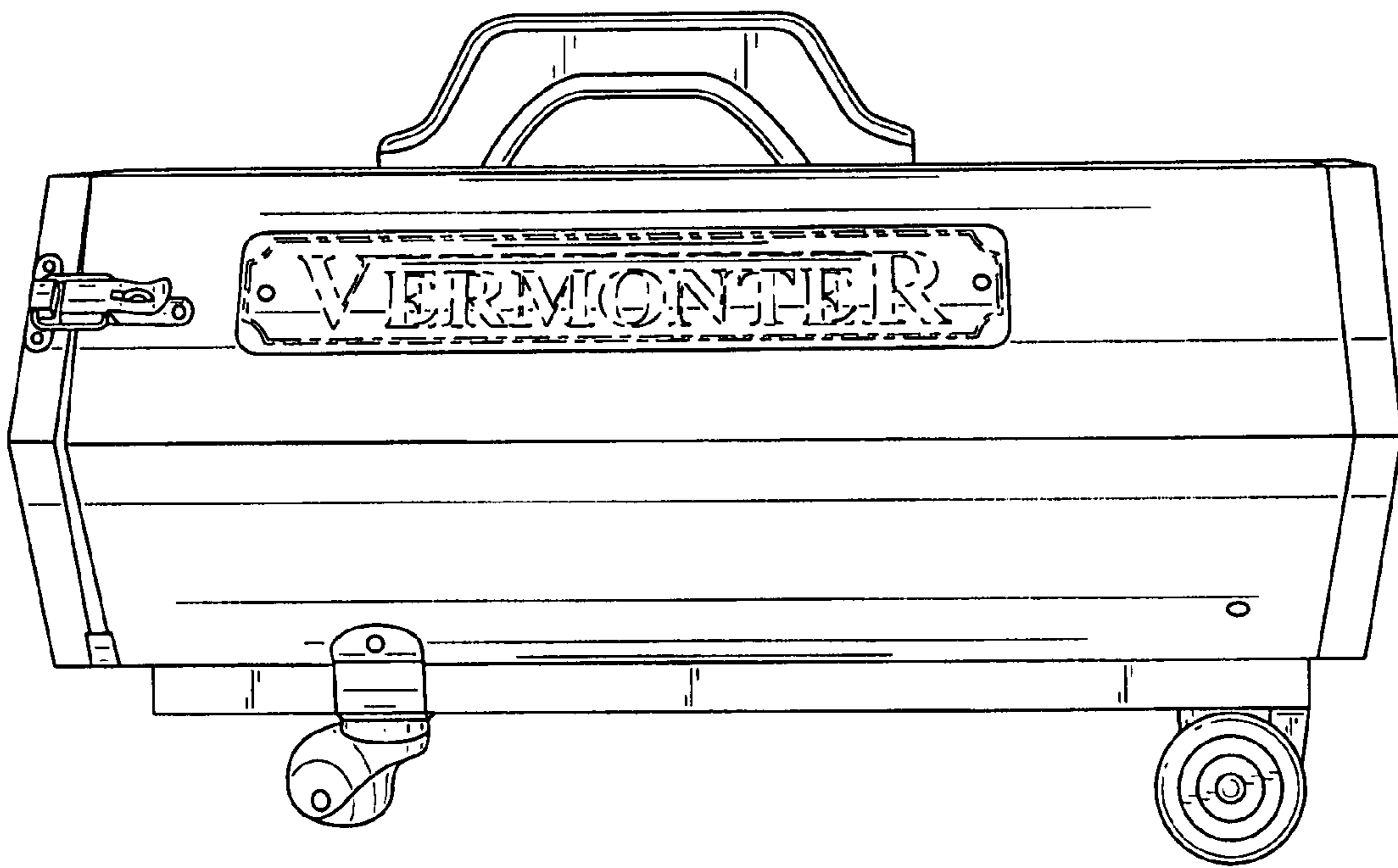


FIG. 5