

US00D563063S

(12) **United States Design Patent**
Mangano

(10) **Patent No.:** **US D563,063 S**

(45) **Date of Patent:** **** Feb. 26, 2008**

(54) **STEAMER**

(75) Inventor: **Joy Mangano**, St. James, NY (US)

(73) Assignee: **Ingenious Designs LLC**, Edgewood, NY (US)

(**) Term: **14 Years**

(21) Appl. No.: **29/268,495**

(22) Filed: **Nov. 8, 2006**

(51) **LOC (8) Cl.** **15-05**

(52) **U.S. Cl.** **D32/17**

(58) **Field of Classification Search** D32/17-18,
D32/21-22, 31, 71, 73; 68/222, 5 A, 5 C,
68/6, 50; 15/320-322, 339, 344, 401, 353;
392/403-406, 379, 324, 394; 38/14, 69,
38/77.5, 77.6, 96, 141-142; 34/622; 223/51,
223/70; 219/211; 239/538

See application file for complete search history.

(56) **References Cited**

U.S. PATENT DOCUMENTS

D294,987 S *	3/1988	Muller et al.	D32/17
D307,341 S *	4/1990	Tsuji et al.	D32/17
D378,001 S *	2/1997	Muller et al.	D32/17
D452,051 S *	12/2001	Antonio	D32/17
D481,183 S *	10/2003	Mangano	D32/35
D485,651 S *	1/2004	Lin	D32/17
D488,269 S *	4/2004	Tsai	D32/17
6,877,183 B2 *	4/2005	Rosa et al.	15/320
D519,694 S *	4/2006	Rosenzweig et al.	D32/17

D525,399 S *	7/2006	Alday Lesaga	D32/17
7,237,409 B2 *	7/2007	Lin	68/222
2002/0010976 A1 *	1/2002	Dodson et al.	15/353

OTHER PUBLICATIONS

Joy Mangano My Little Steamer, <http://catalog.hsn.com/prod-15678/hm/192/hp!sf!192/2277765/2277765.htm>, Nov. 6, 2006, HSN catalog.

* cited by examiner

Primary Examiner—Ruth McInroy

(74) *Attorney, Agent, or Firm*—Kenyon & Kenyon LLP

(57) **CLAIM**

The ornamental design for a steamer, as shown and described.

DESCRIPTION

FIG. 1 is a left side perspective view of a steamer showing my new design, the undisclosed opposite side being a mirror image;

FIG. 2 is a left side elevational view of the steamer of FIG. 1, the undisclosed opposite side being a mirror image;

FIG. 3 is a front elevational view of the steamer of FIG. 1;

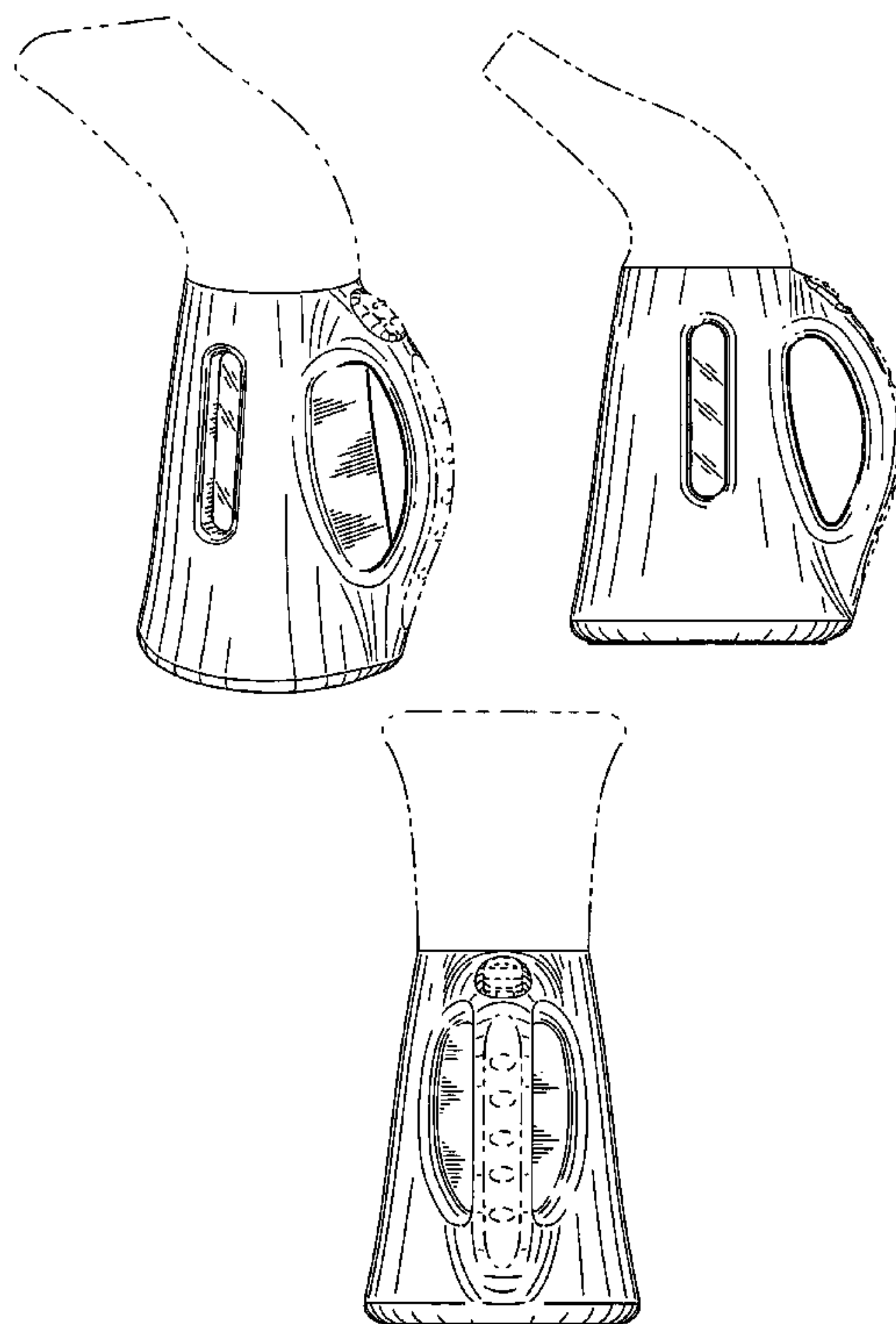
FIG. 4 is a rear elevational view of the steamer of FIG. 1;

FIG. 5 is a top plan view of the steamer of FIG. 1; and,

FIG. 6 is a bottom plan view of the steamer of FIG. 1.

The broken lines shown in the drawings are for illustrative purposes only and form no part of the claimed design.

1 Claim, 4 Drawing Sheets



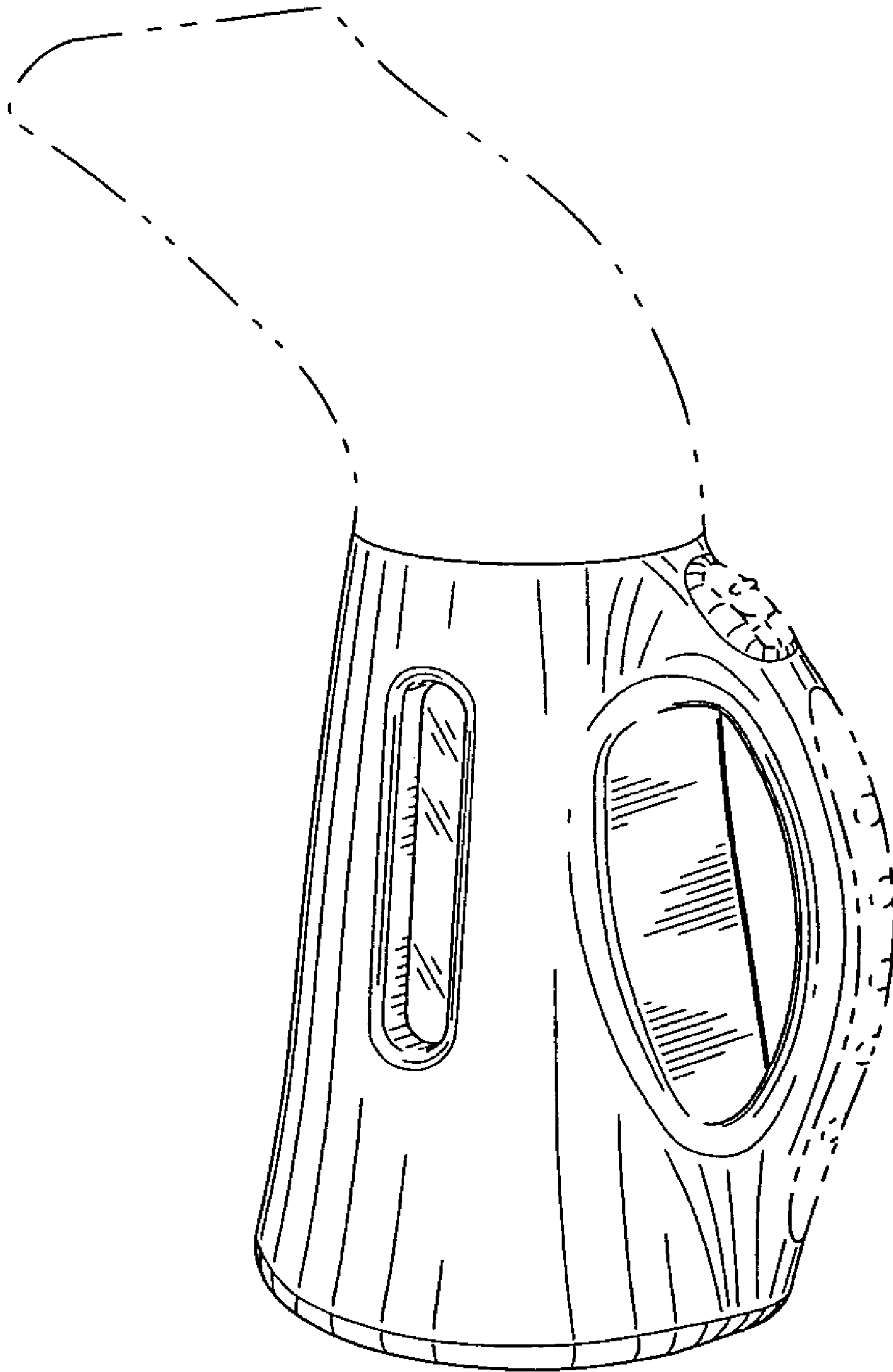


FIG. 1

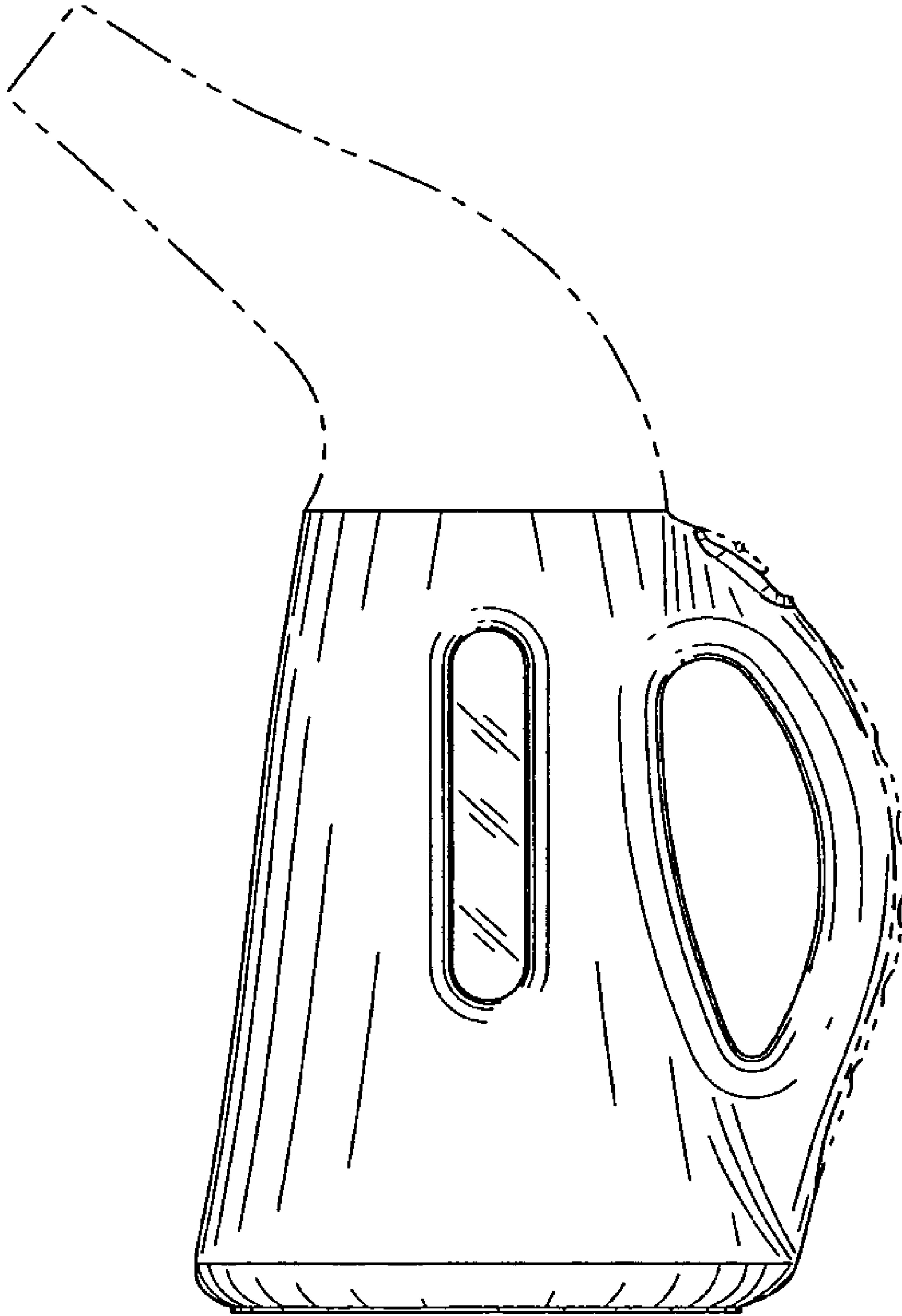


FIG. 2

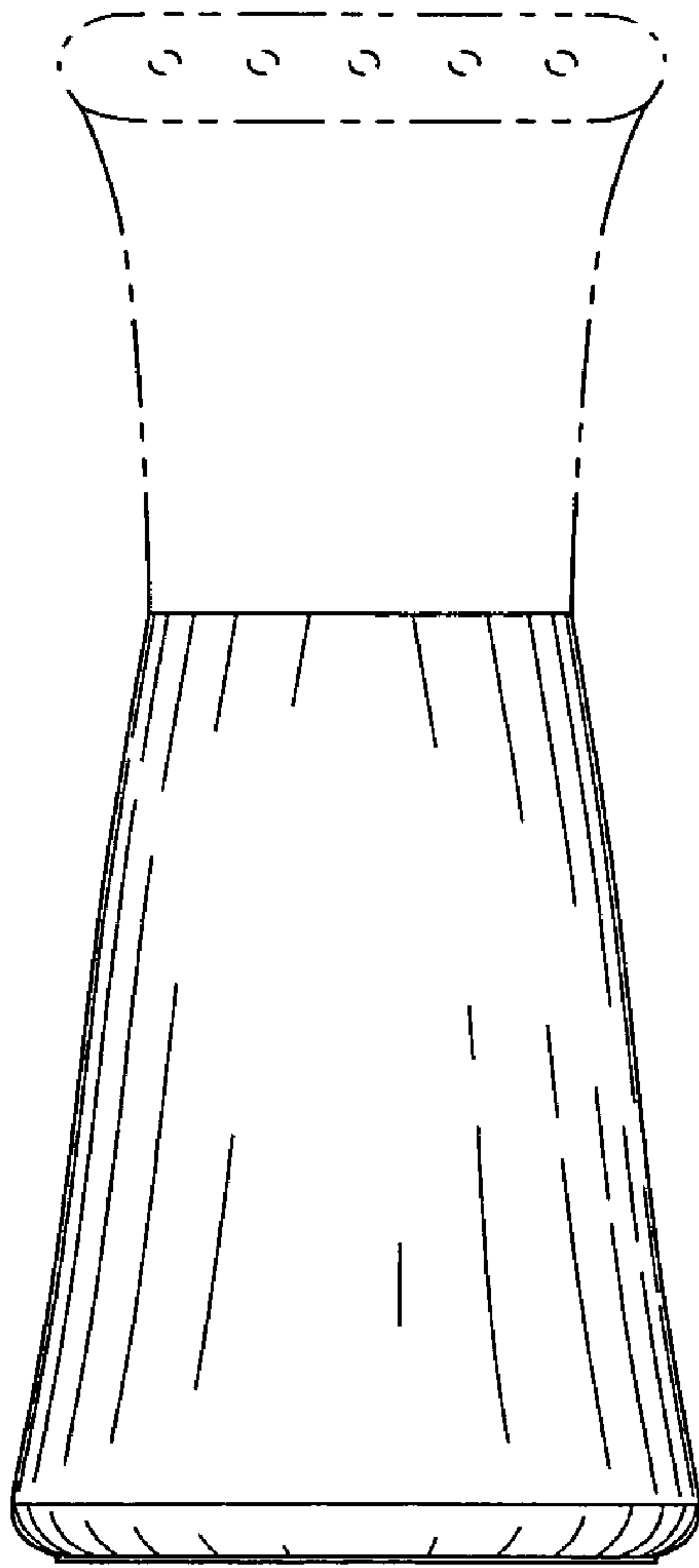


FIG. 3

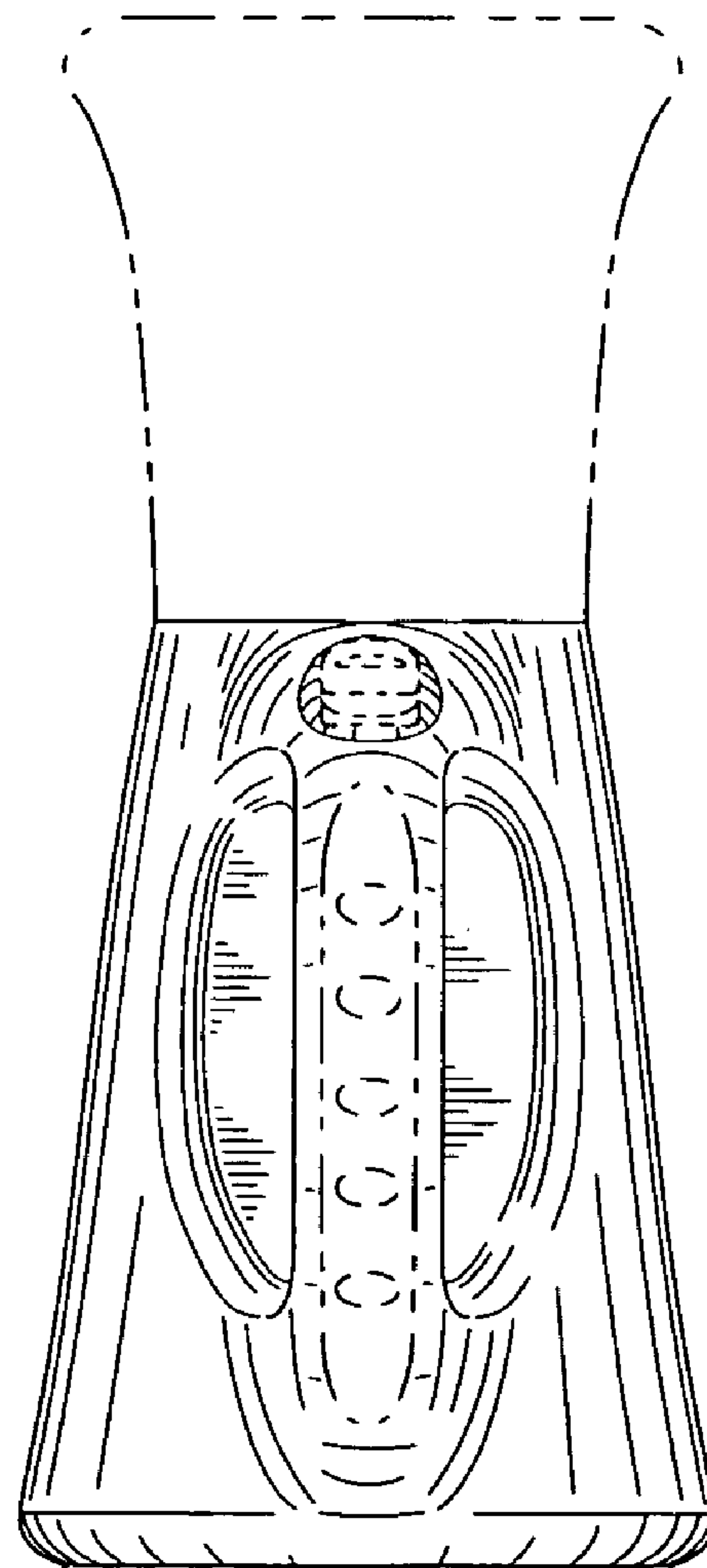


FIG. 4

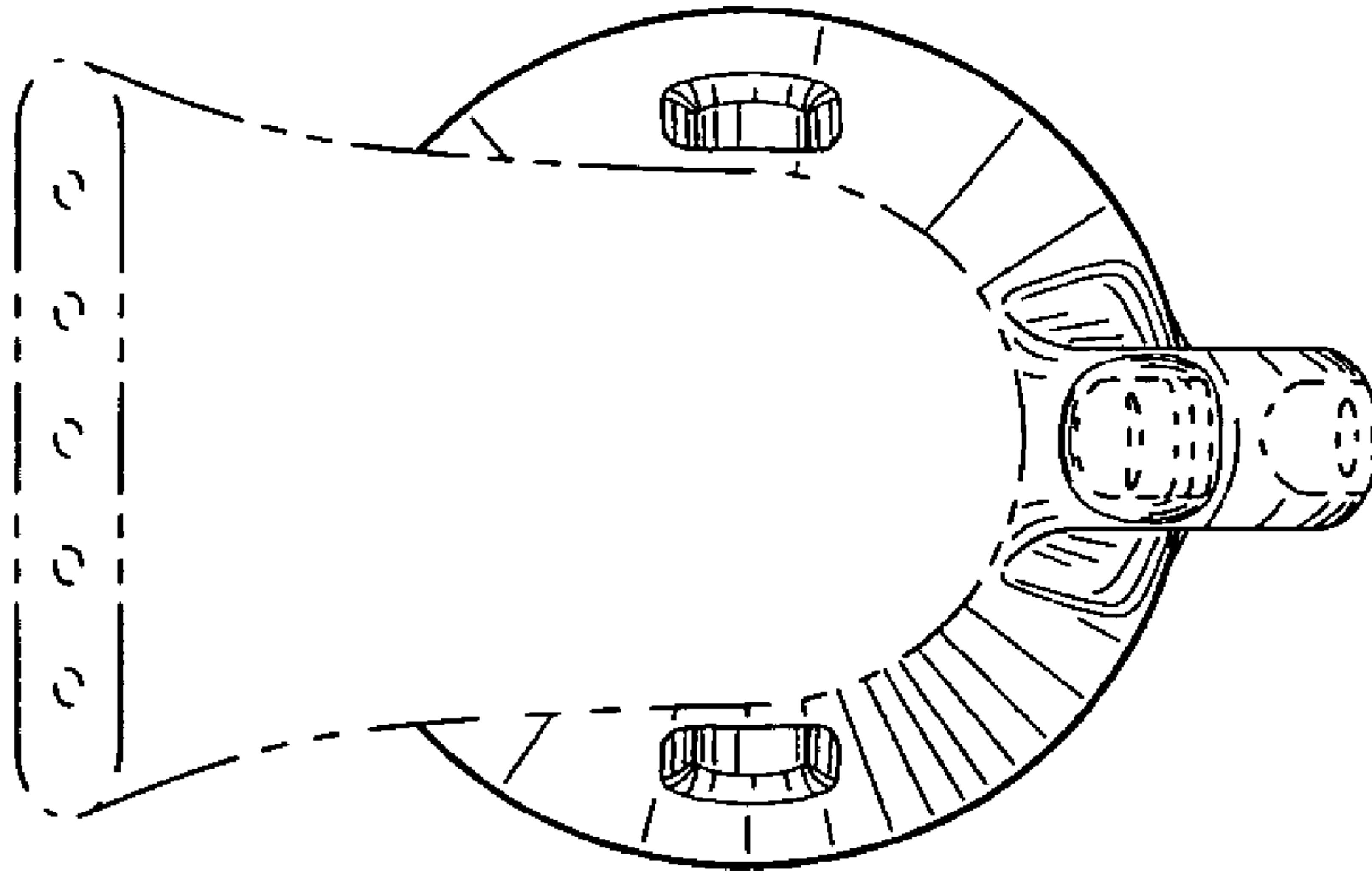


FIG. 5

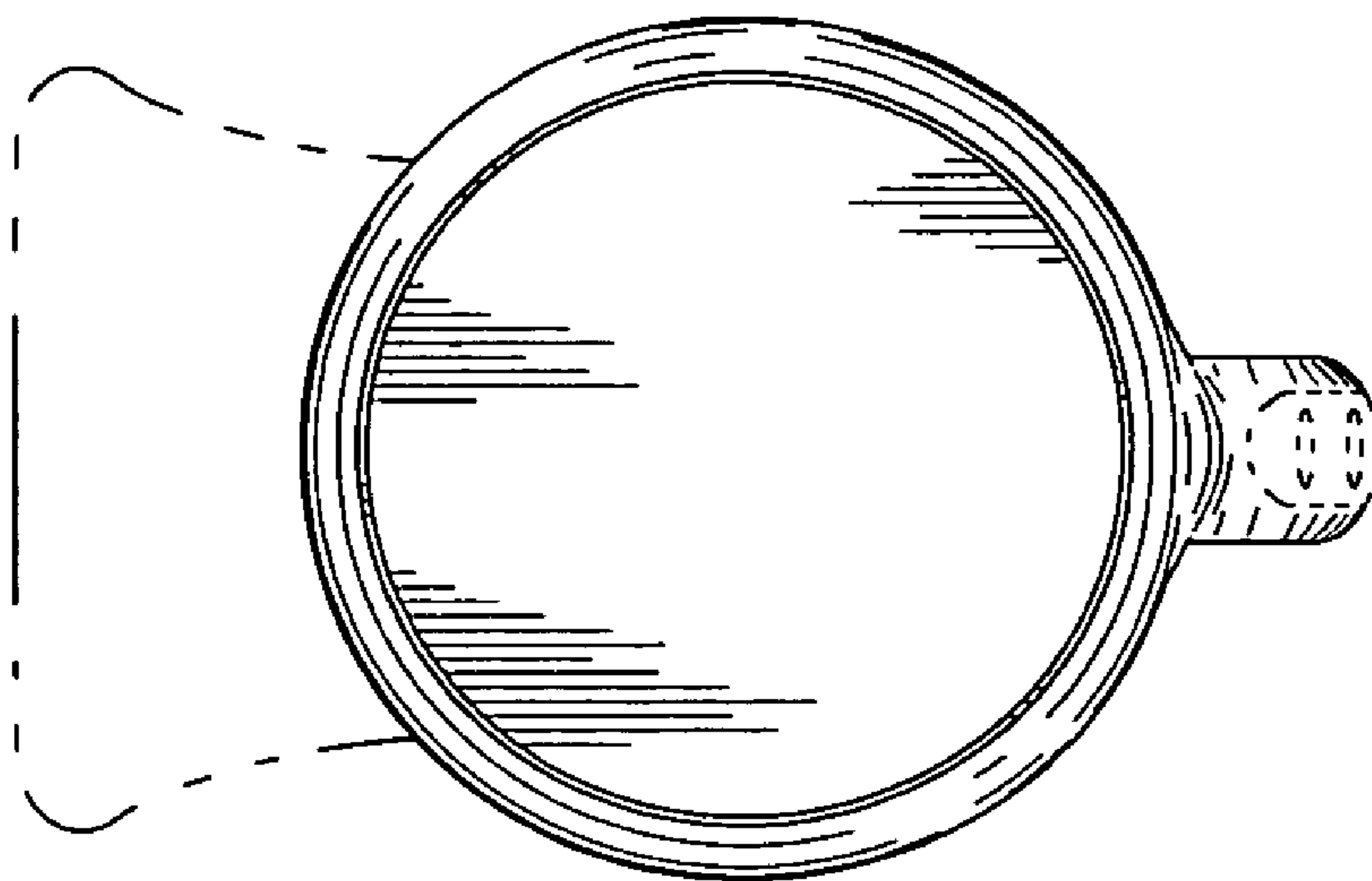


FIG. 6