



US00D563059S

(12) **United States Design Patent**  
**Lamstein et al.**

(10) **Patent No.: US D563,059 S**  
(45) **Date of Patent: \*\* Feb. 26, 2008**

(54) **HANGING CAT SCRATCHER**

(76) Inventors: **Aaron Lamstein**, 160 Mitchell Rd.,  
San Rafael, CA (US) 94903-2044;  
**David Haaf**, 160 Mitchell Rd., San  
Rafael, CA (US) 94903-2044

(\*\*) Term: **14 Years**

(21) Appl. No.: **29/259,698**

(22) Filed: **May 12, 2006**

(51) **LOC (8) Cl.** ..... **30-99**

(52) **U.S. Cl.** ..... **D30/160**

(58) **Field of Classification Search** ..... D30/119,  
D30/160; 119/700, 702-703, 706-711  
See application file for complete search history.

(56) **References Cited**

U.S. PATENT DOCUMENTS

3,085,551	A *	4/1963	Helmer	.....	119/706
3,482,548	A *	12/1969	Burns	.....	119/706
3,486,485	A *	12/1969	Kahanick	.....	119/706
D254,815	S *	4/1980	Kossar	.....	119/706
4,539,936	A *	9/1985	Majewski	.....	49/460
D322,494	S *	12/1991	Reynolds	.....	D30/158
5,188,059	A *	2/1993	Rice	.....	119/28.5

D344,613	S *	2/1994	Cromwell	.....	D30/160
5,592,901	A *	1/1997	Birmingham	.....	119/706
D454,236	S *	3/2002	Kaplan	.....	D30/160
D485,399	S *	1/2004	Nazimek	.....	D30/160
2002/0189549	A1 *	12/2002	Writer et al.	.....	119/706

\* cited by examiner

*Primary Examiner*—Cathy Anne MacCormac

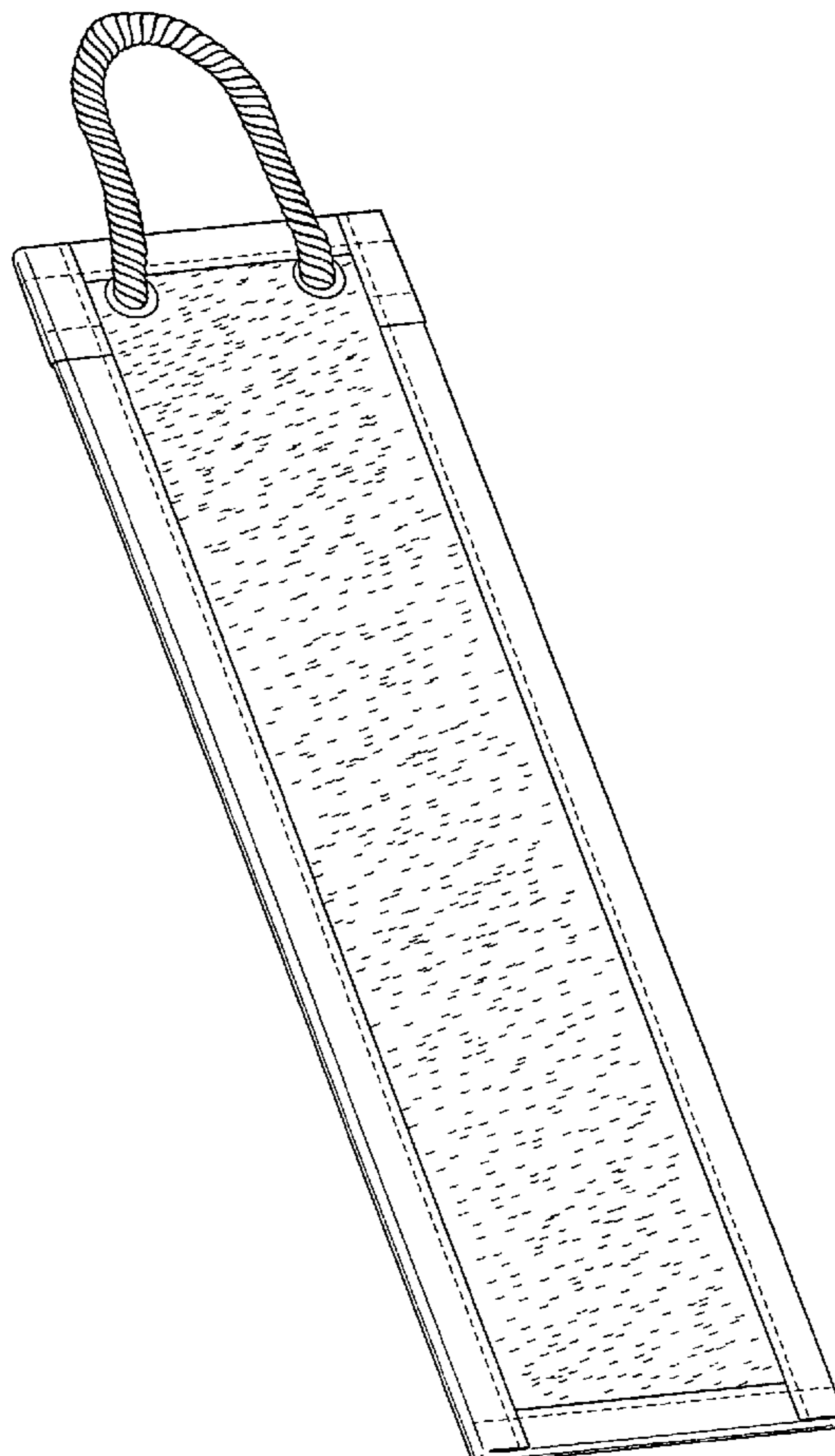
(57) **CLAIM**

The ornamental design for a hanging cat scratcher, as shown and described.

**DESCRIPTION**

FIG. 1 is a perspective view of a hanging cat scratcher showing our new design;  
FIG. 2 is a front view thereof;  
FIG. 3 is a back view thereof;  
FIG. 4 is a left side view thereof;  
FIG. 5 is a right side view thereof;  
FIG. 6 is a top plan view thereof; and,  
FIG. 7 is a bottom plan view thereof.

**1 Claim, 3 Drawing Sheets**



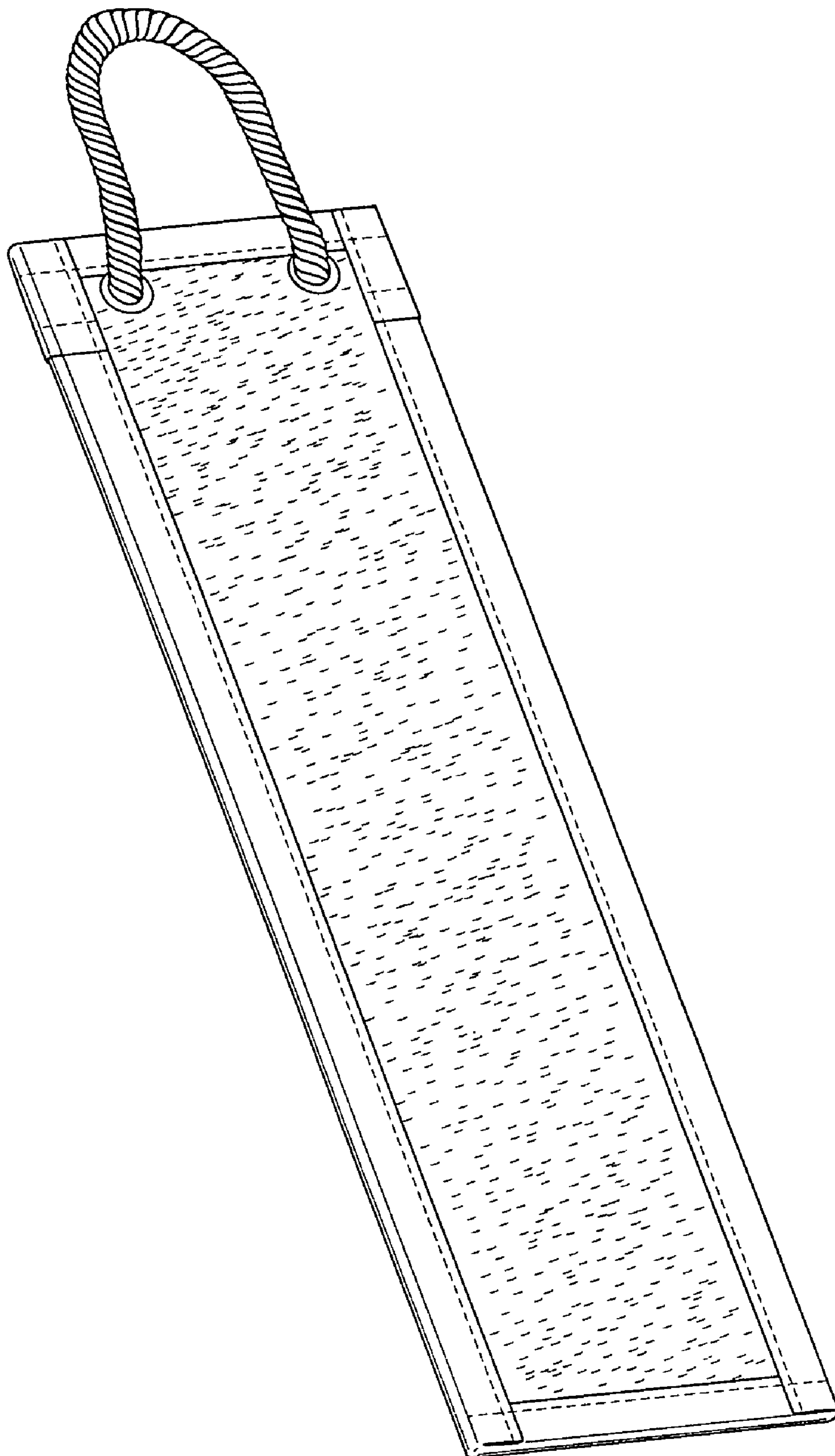


FIG. 1

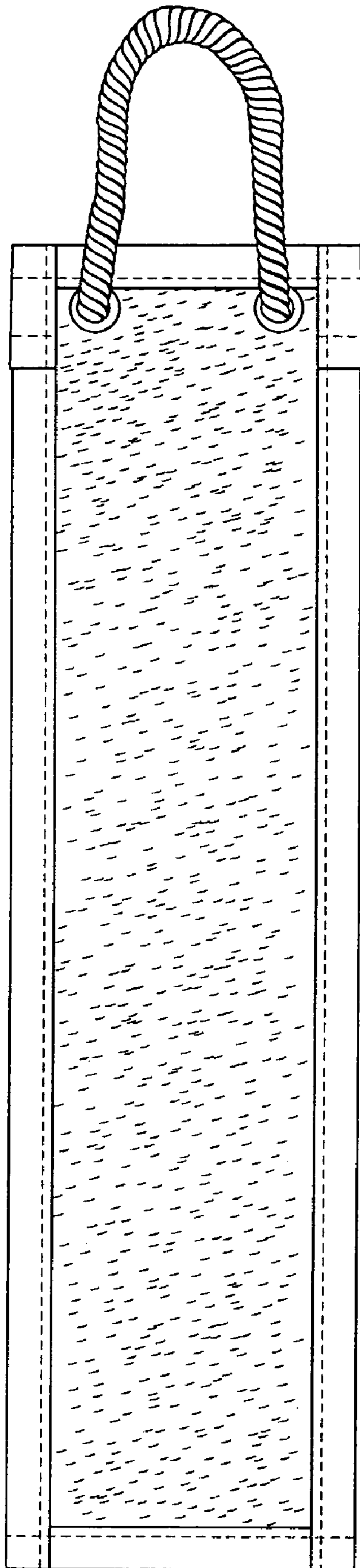


FIG. 2

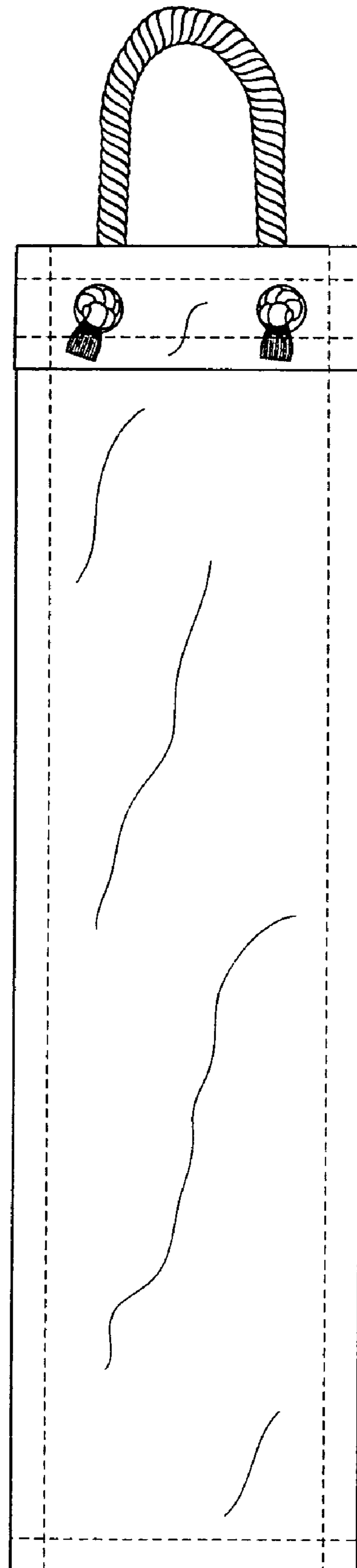


FIG. 3

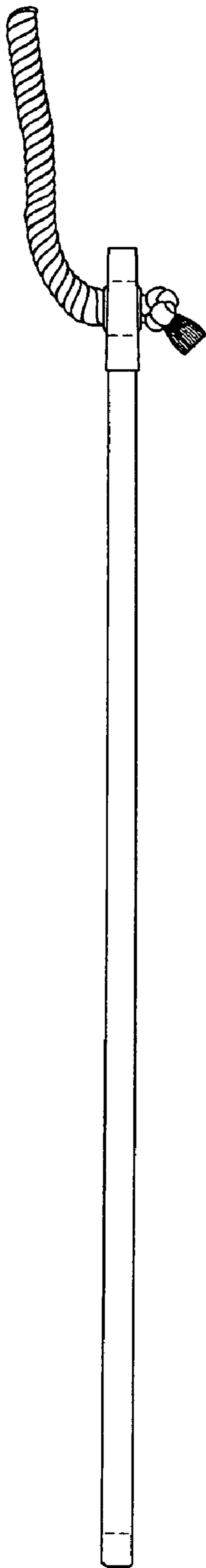


FIG. 4

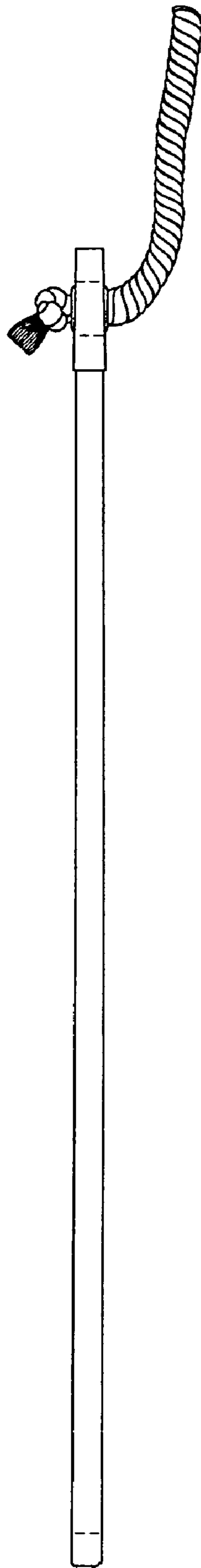


FIG. 5

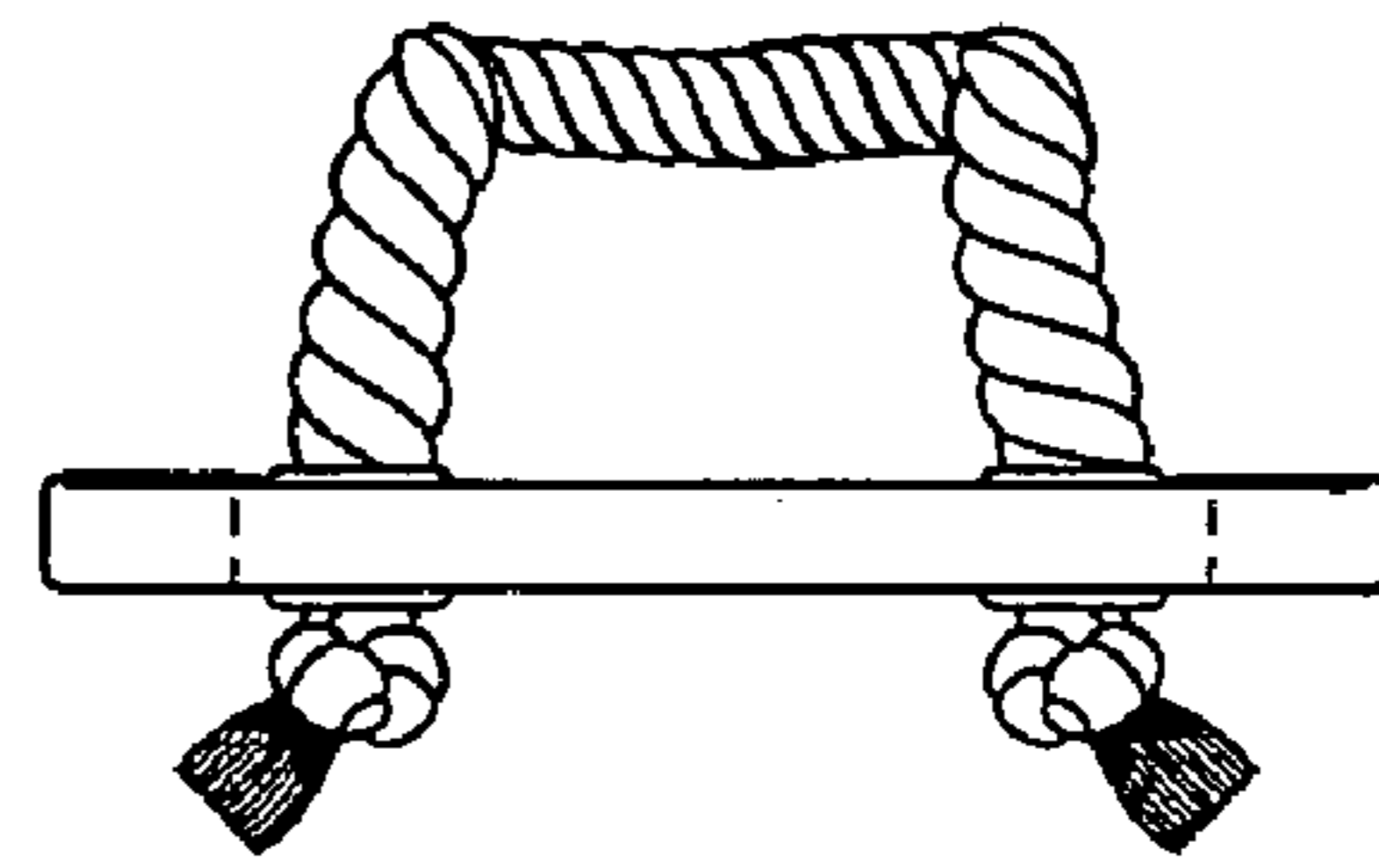


FIG. 6

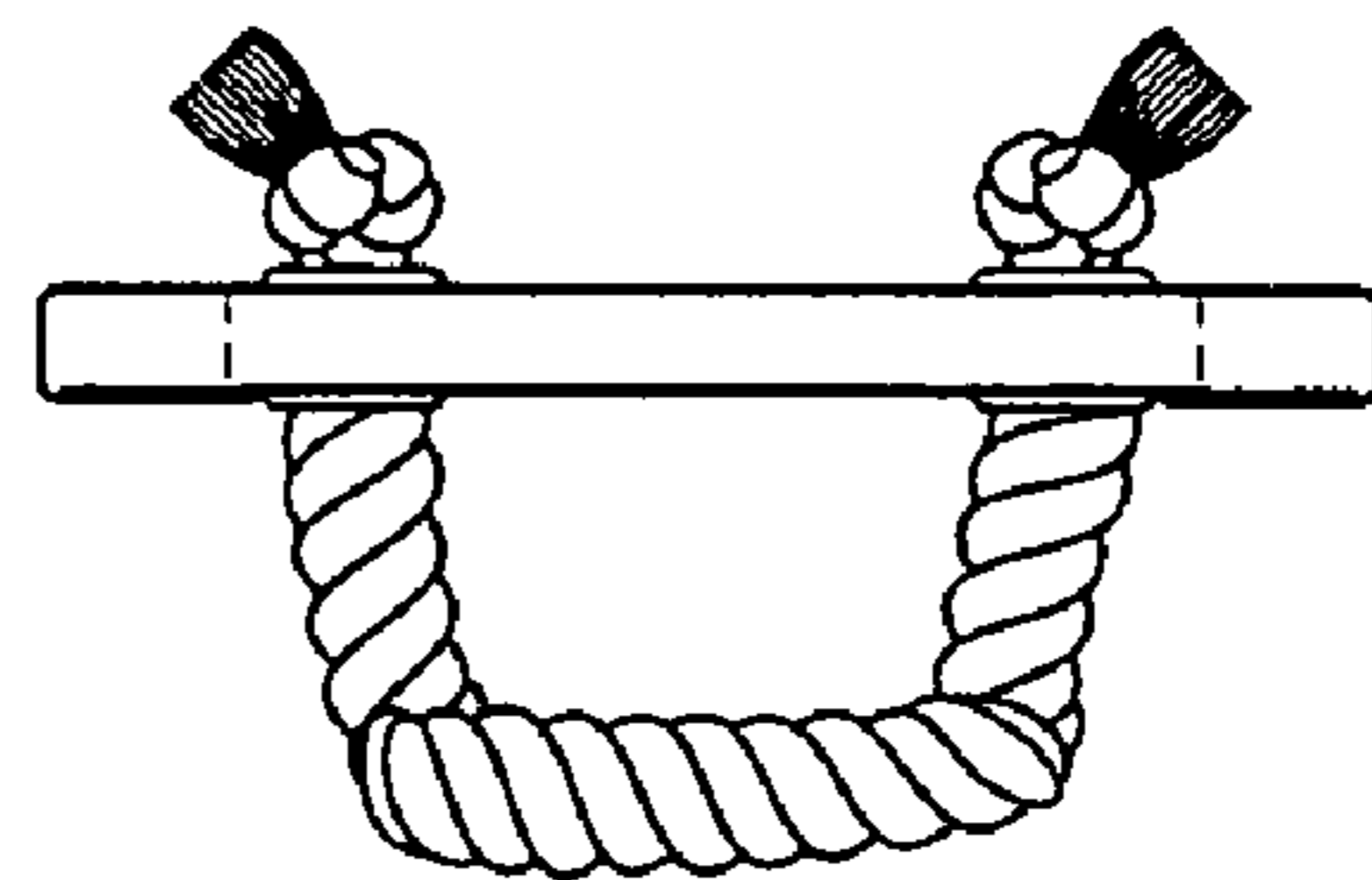


FIG. 7