

US00D563045S

(12) **United States Design Patent**
Provost et al.

(10) **Patent No.:** **US D563,045 S**
(45) **Date of Patent:** **** Feb. 26, 2008**

(54) **RAZOR HANDLE**

2,679,095 A 5/1954 Dovica
2,695,448 A * 11/1954 Cavanaugh 30/537
2,708,310 A 5/1955 Borden

(75) Inventors: **Craig Alan Provost**, Boston, MA (US);
Kristopher William Schulz,
Framingham, MA (US)

(Continued)

(73) Assignee: **The Gillette Company**, Boston, MA
(US)

OTHER PUBLICATIONS

Screen Shot from the Art of Shaving Website "www.theartofshaving.com" visited on Feb. 22, 2007 showing 3 razors "5 blade Black & Nickel", "5 blade Ivory & Nickel", and "Engraved Razor" (in color, 3 pgs.).

(**) Term: **14 Years**

Primary Examiner—Jennifer Rivard

(21) Appl. No.: **29/286,363**

(74) *Attorney, Agent, or Firm*—Kevin C. Johnson

(22) Filed: **May 3, 2007**

(51) **LOC (8) Cl.** **28-03**

(57) **CLAIM**

(52) **U.S. Cl.** **D28/48**

The ornamental design for a razor handle, as shown and described.

(58) **Field of Classification Search** D28/44-54;
30/30, 32, 34.05, 34.1, 34.2, 41-41.9, 44,
30/45, 47-51, 57, 58, 526, 527, 532, 533,
30/537-540

DESCRIPTION

See application file for complete search history.

FIG. 1 is a top perspective view of a razor handle showing our new design;

(56) **References Cited**

FIG. 2 is a top plan view thereof;

U.S. PATENT DOCUMENTS

FIG. 3 is a right side elevation view thereof;

D87,192 S	6/1932	Behrman
1,995,232 A	3/1935	Tipery
2,108,758 A	2/1938	Thompson et al.
D126,066 S	3/1941	Birrell
2,341,743 A	2/1944	Rothner
D153,111 S	3/1949	Bratter
D160,322 S	10/1950	Jones
2,546,405 A	3/1951	Rauglas
2,546,406 A	3/1951	Rauglas
2,637,101 A	5/1953	Cutler
2,660,782 A	12/1953	Graef

FIG. 4 is a bottom plan view thereof;

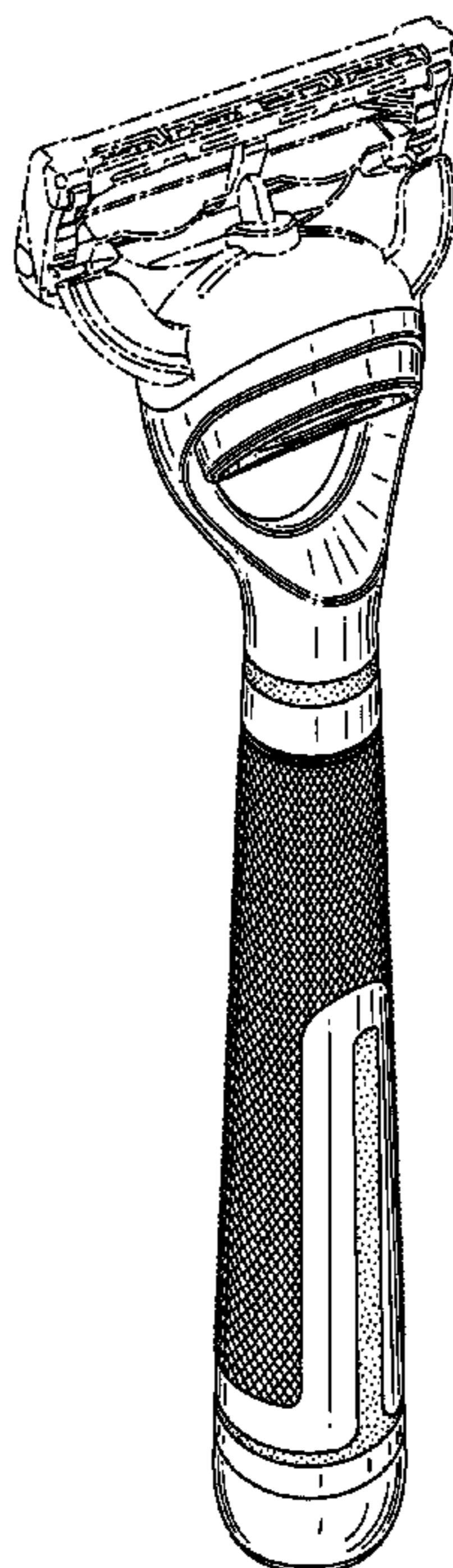
FIG. 5 is a left elevation view thereof;

FIG. 6 is a front elevational view thereof; and,

FIG. 7 is a rear elevation view thereof.

The broken line disclosure of the shaving unit is for illustrative purposes only and does not constitute a part of the claimed design.

1 Claim, 4 Drawing Sheets



US D563,045 S

Page 2

U.S. PATENT DOCUMENTS					
2,769,233	A	11/1956 Duke	5,107,590	A	4/1992 Burout, III et al.
3,066,413	A	12/1962 Saavedra et al.	D327,550	S	6/1992 Chen et al.
D204,672	S	5/1966 Glaberson	5,469,621	A *	11/1995 Alsept et al. 30/50
3,293,744	A	12/1966 Kuhl	5,544,415	A *	8/1996 Huang 30/43.92
3,324,546	A	6/1967 Chavez	D392,416	S	3/1998 Wonderley
D228,315	S	9/1973 Glaberson	D403,114	S	12/1998 Shurtleff
D228,317	S *	9/1973 Glaberson D28/46	D416,108	S	11/1999 Shurtleff et al.
D230,222	S	1/1974 Glaberson et al.	D416,646	S	11/1999 Pinchuk
D241,382	S	9/1976 Jones	6,029,354	A	2/2000 Apprille et al.
D255,387	S	6/1980 Glaberson	6,418,623	B1	7/2002 Marcarelli
D267,438	S *	12/1982 Jacobson D28/46	D478,687	S	8/2003 Provost
D270,197	S	8/1983 Gray	D485,012	S	1/2004 Zucker
D271,625	S	11/1983 Gray	D495,828	S	9/2004 Ham et al.
D296,247	S	6/1988 Gray	D515,740	S *	2/2006 Provost et al. D28/46
D309,355	S	7/1990 Shurtleff	D534,686	S *	1/2007 Provost et al. D28/48
D310,428	S	9/1990 Gerardiello	2004/0226178	A1	11/2004 Lukan et al.
D312,143	S *	11/1990 Schwarz D28/48	2005/0039338	A1	2/2005 King
D321,953	S	11/1991 Gray	2005/0198841	A1	9/2005 Worrick

* cited by examiner

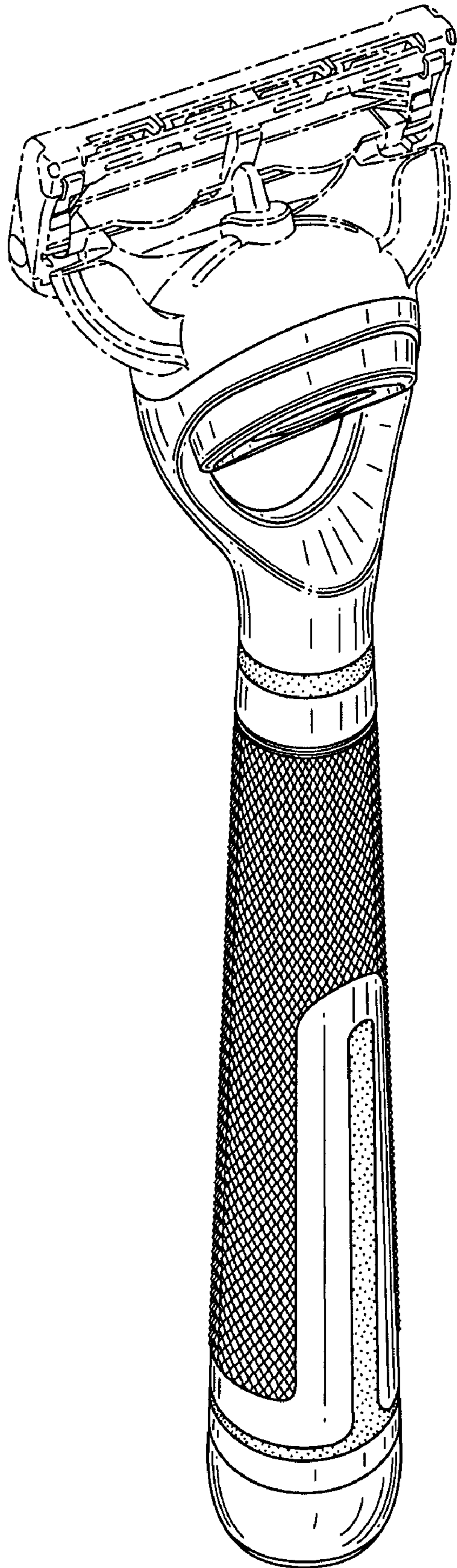


FIG. 1

FIG. 2

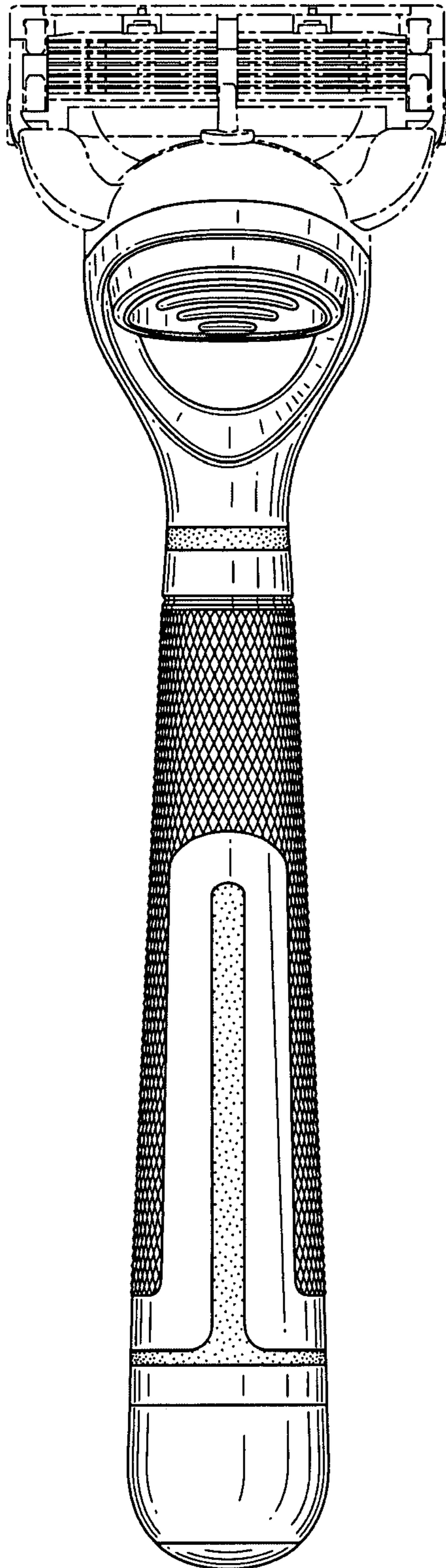


FIG. 3

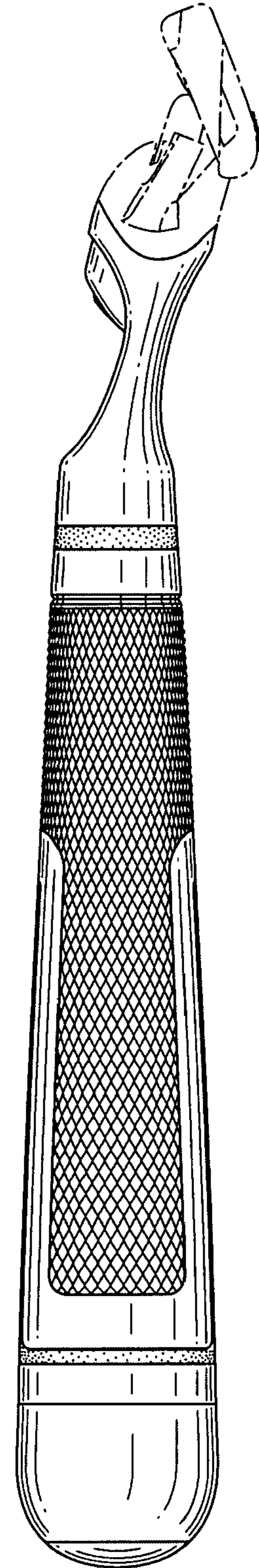


FIG. 4

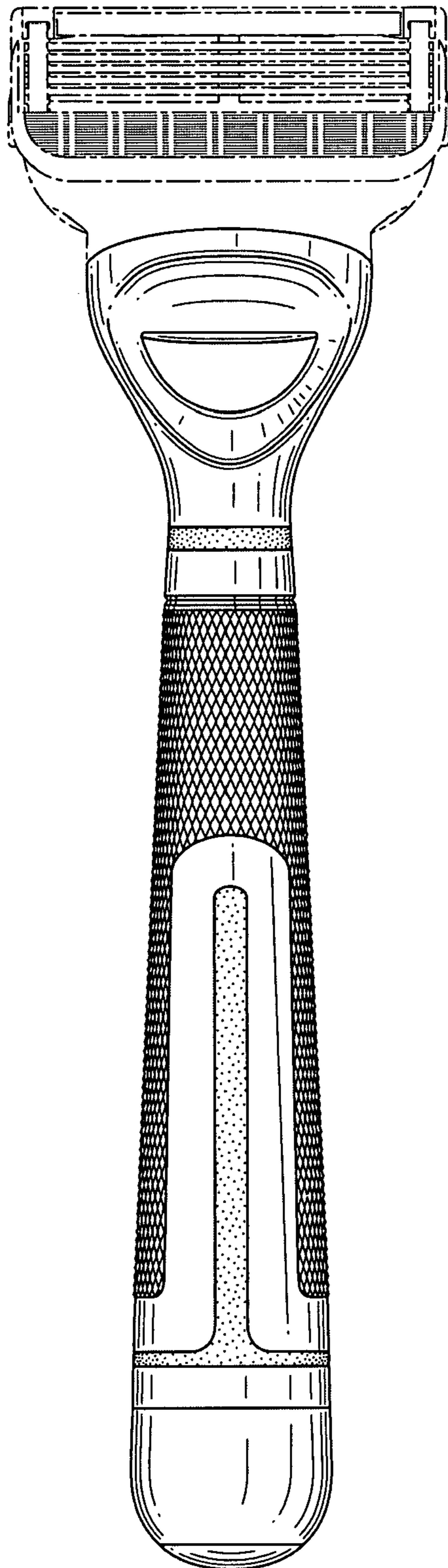


FIG. 5

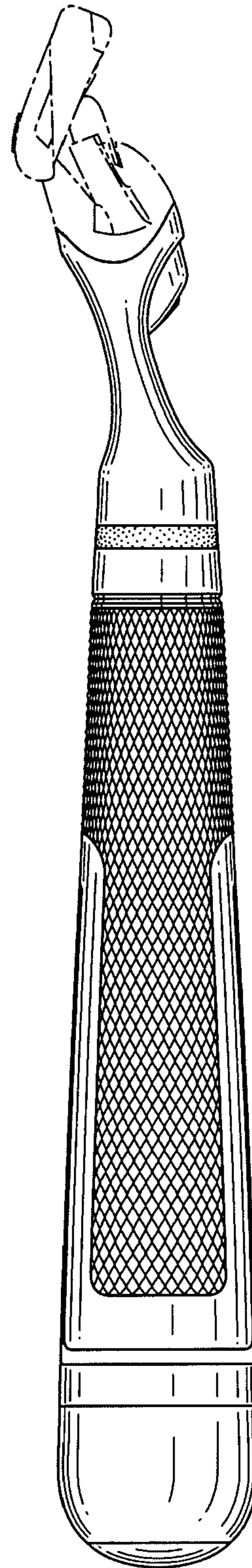


FIG. 6

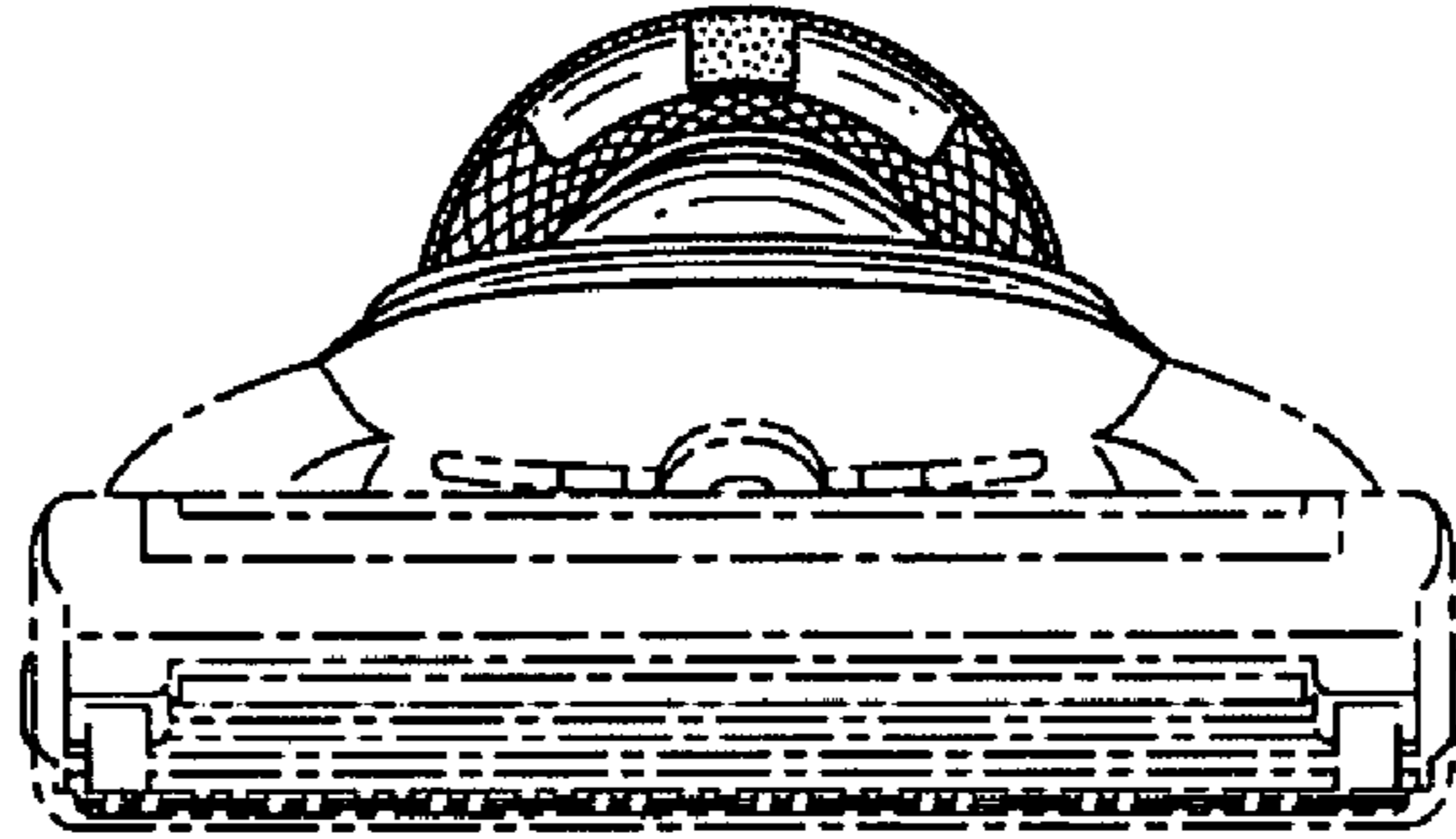


FIG. 7

