



US00D563042S

(12) **United States Design Patent** (10) **Patent No.:** **US D563,042 S**  
**Long** (45) **Date of Patent:** **\*\* Feb. 26, 2008**

(54) **CIGAR OR CIGARETTE HOLDER**

(75) Inventor: **Dean J. Long**, Bradenton, FL (US)  
(73) Assignee: **Neutech Associates, Inc.**, Fenton, MI (US)  
(\*\*) Term: **14 Years**  
(21) Appl. No.: **29/248,415**  
(22) Filed: **Aug. 15, 2006**

(51) **LOC (8) Cl.** ..... **27-06**  
(52) **U.S. Cl.** ..... **D27/183**  
(58) **Field of Classification Search** ..... D27/138,  
D27/172, 183, 187, 194; D8/396; D21/717,  
D21/718; 131/190, 257-260  
See application file for complete search history.

(56) **References Cited**

U.S. PATENT DOCUMENTS

D11,877 S	7/1880	Kurczyn	
D118,735 S *	1/1940	Fiegel	..... D27/183
2,207,197 A	7/1940	Havey	
D123,624 S *	11/1940	Marple	..... D27/183
D133,226 S *	7/1942	Wilson	..... D27/183
D154,857 S	8/1949	Johnson	
D203,238 S	12/1965	Kovacs	
D203,792 S	2/1966	Mills	
D246,803 S	12/1977	Steinberg	
4,709,706 A	12/1987	Turro	
D379,551 S	5/1997	Hubbard	
D380,862 S	7/1997	Hasselgren et al.	
D395,731 S	6/1998	Olis	
5,813,414 A	9/1998	Zutler et al.	
D400,298 S	10/1998	Vignerot	
D405,224 S	2/1999	Falconio	
D406,386 S *	3/1999	Kuniansky et al.	..... D27/183
D408,582 S	4/1999	Varn	
6,050,268 A *	4/2000	San Filippo	..... 131/257
6,234,179 B1	5/2001	Alcaraz	

OTHER PUBLICATIONS

“Lightweight Floating Tools”; Feb. 15, 2005; 1 page; <http://web.archive.org/20050215145236/http://www.robrady.com/consumer.html>.  
“xCull Manual Cull Kit”; May 18, 2006; [http://web.archive.org/web/20060518185438/http://www.xtools.us/floating\\_manual\\_cull\\_kit.htm](http://web.archive.org/web/20060518185438/http://www.xtools.us/floating_manual_cull_kit.htm).  
\* cited by examiner

*Primary Examiner*—Jennifer Rivard  
(74) *Attorney, Agent, or Firm*—Howard & Howard Attorneys, P.C.

(57) **CLAIM**

I claim the ornamental design for a cigar or cigarette holder, as shown herein.

**DESCRIPTION**

FIG. 1 is a top front perspective view of a cigar or cigarette holder illustrating a portion simulating a golf ball resting on a golf tee and cradling pads for holding a cigar or cigarette which are shown in phantom,

FIG. 2 is a top rear perspective view of the holder illustrating the portion simulating the golf ball resting on the golf tee and cradling pads for holding the cigar or cigarette which are shown in phantom,

FIG. 3 is a left side view of the holder,

FIG. 4 is a right side view of the holder,

FIG. 5 is a front view of the holder,

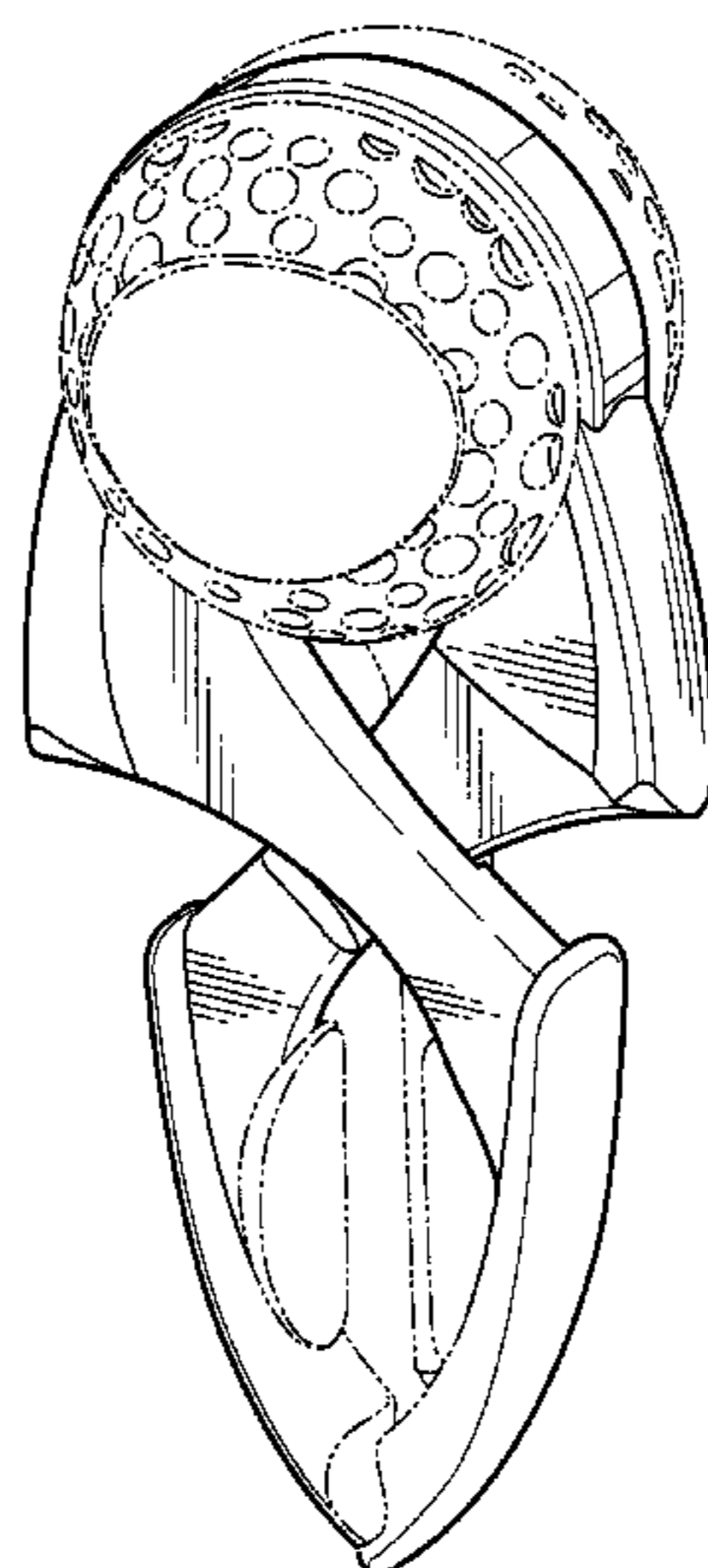
FIG. 6 is a rear view of the holder,

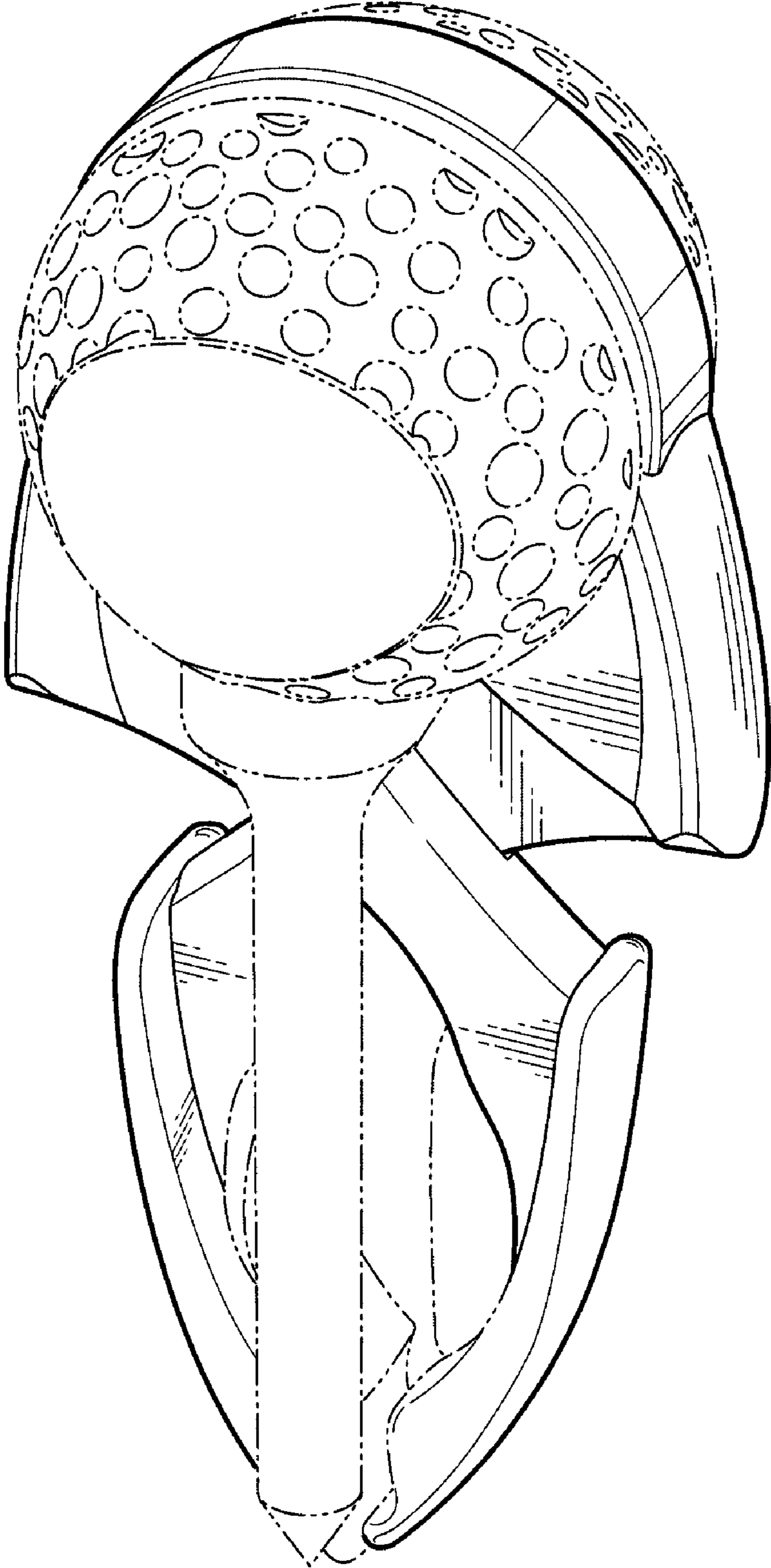
FIG. 7 is a top view of the holder; and,

FIG. 8 is a bottom view of the holder.

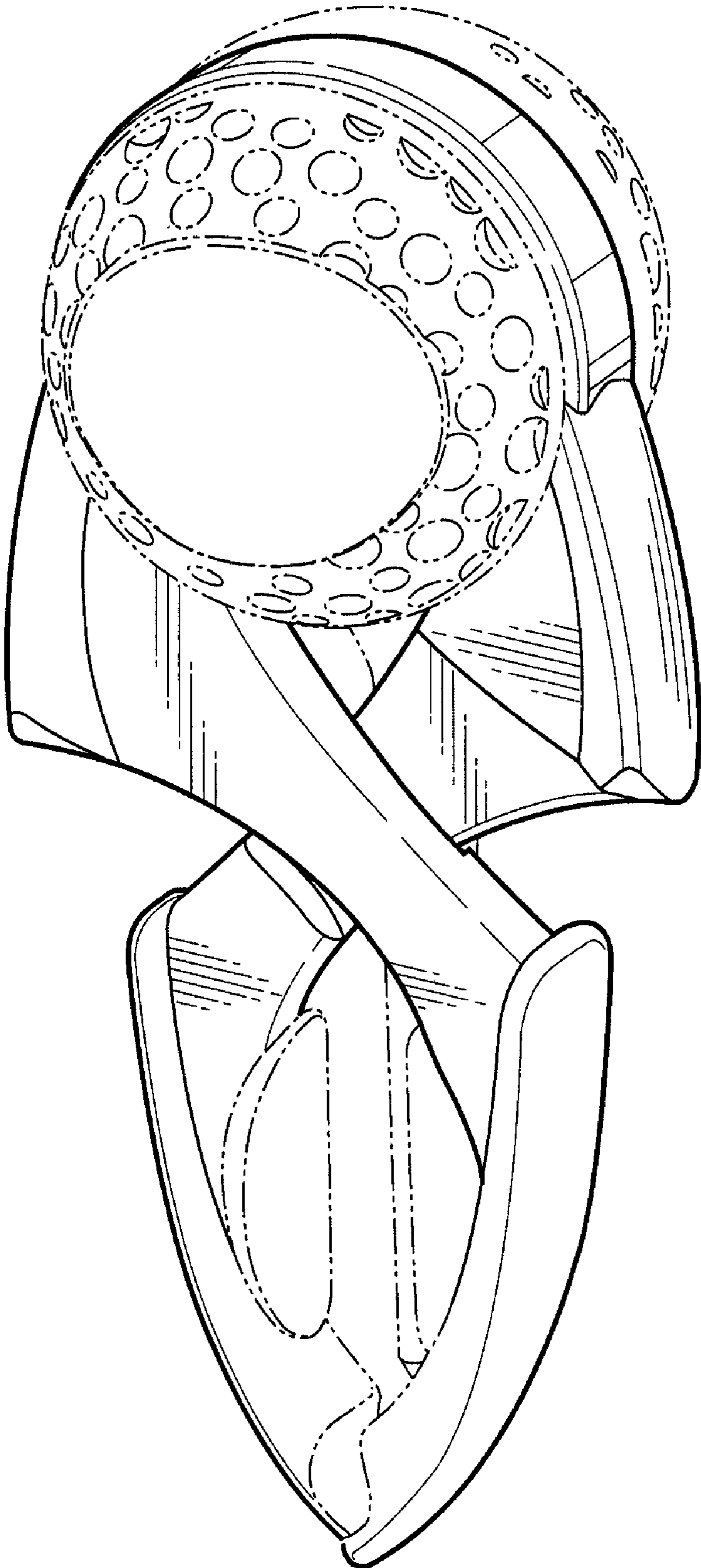
The phantom lines immediately adjacent the shaded areas represent the bounds of the claim and all other phantom lines are for illustrative purposes only. None of the phantom lines form a part of the claimed design.

**1 Claim, 5 Drawing Sheets**





**FIG - 1**



**FIG - 2**

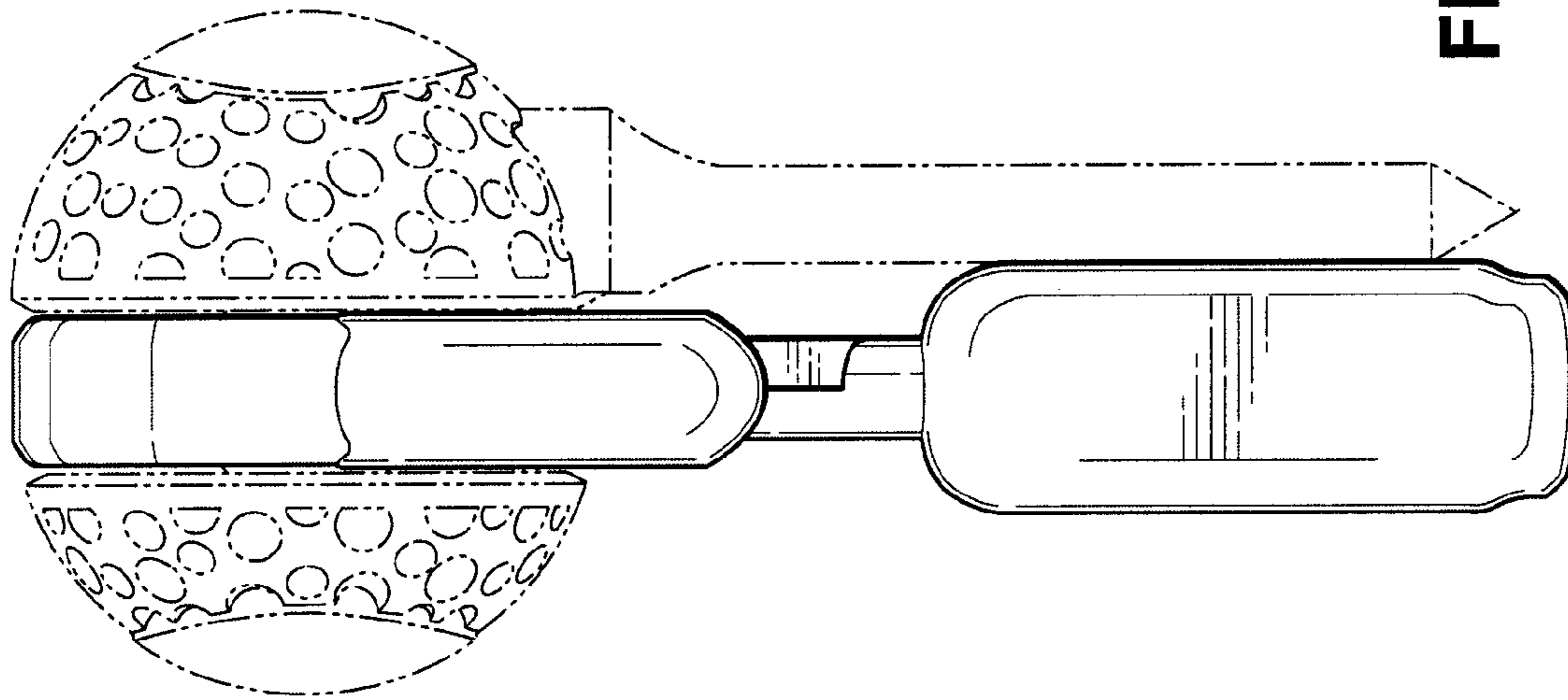


FIG - 4

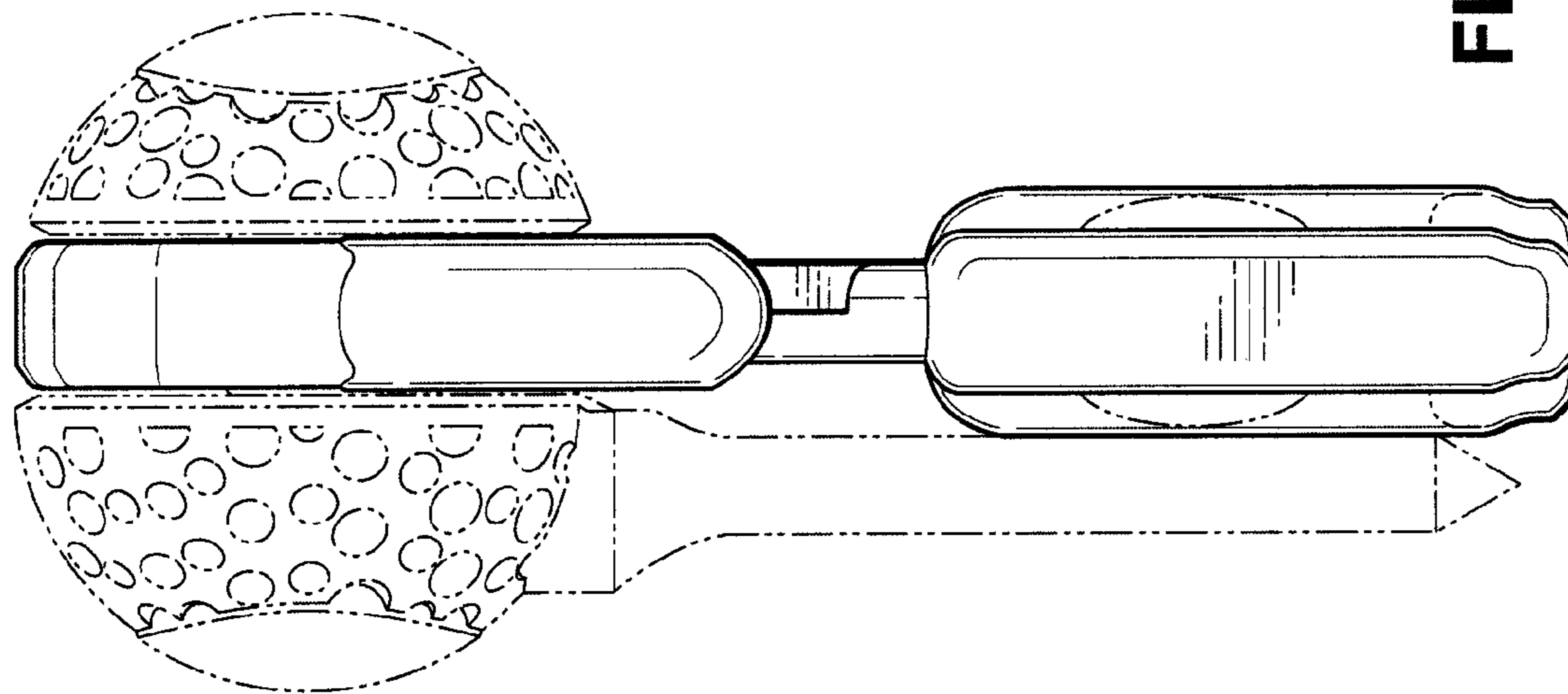


FIG - 3

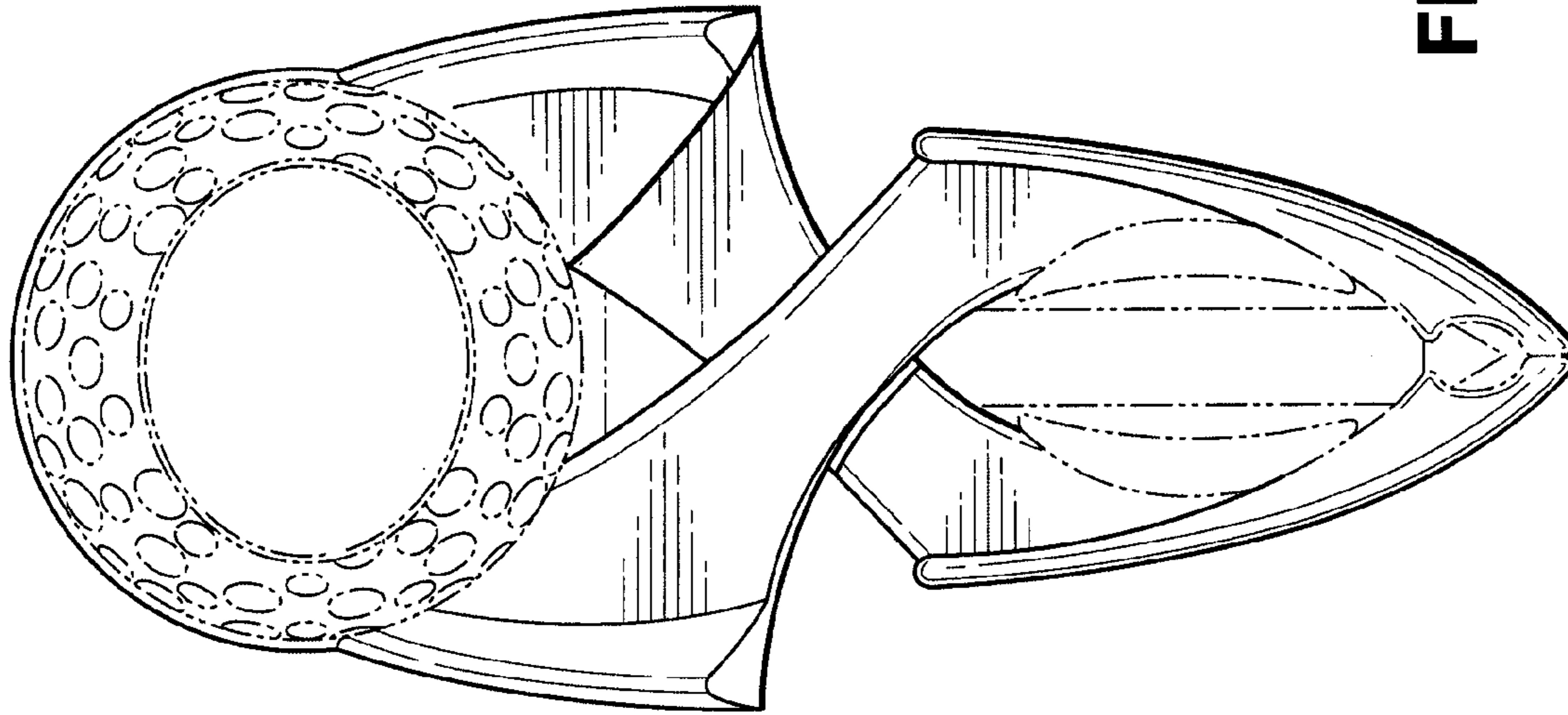


FIG - 6

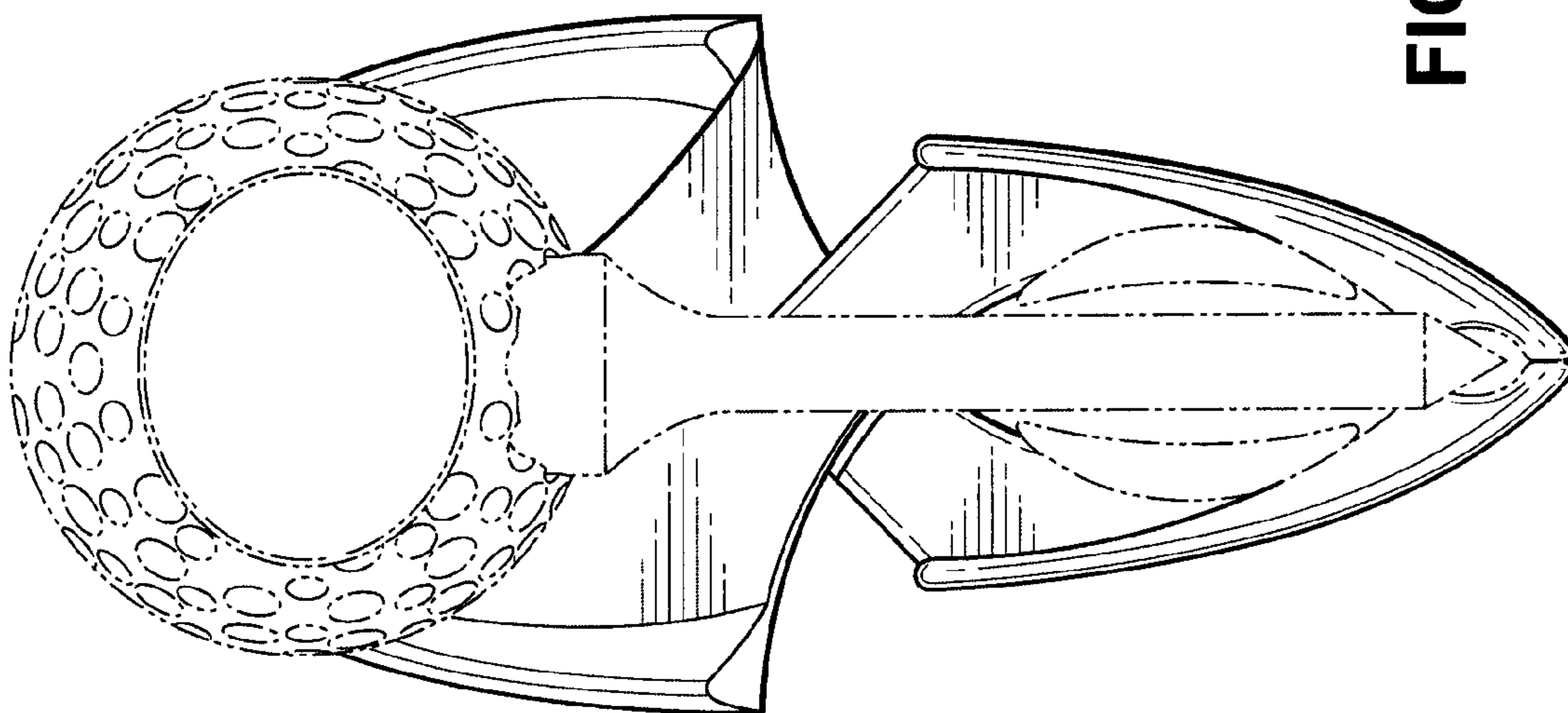
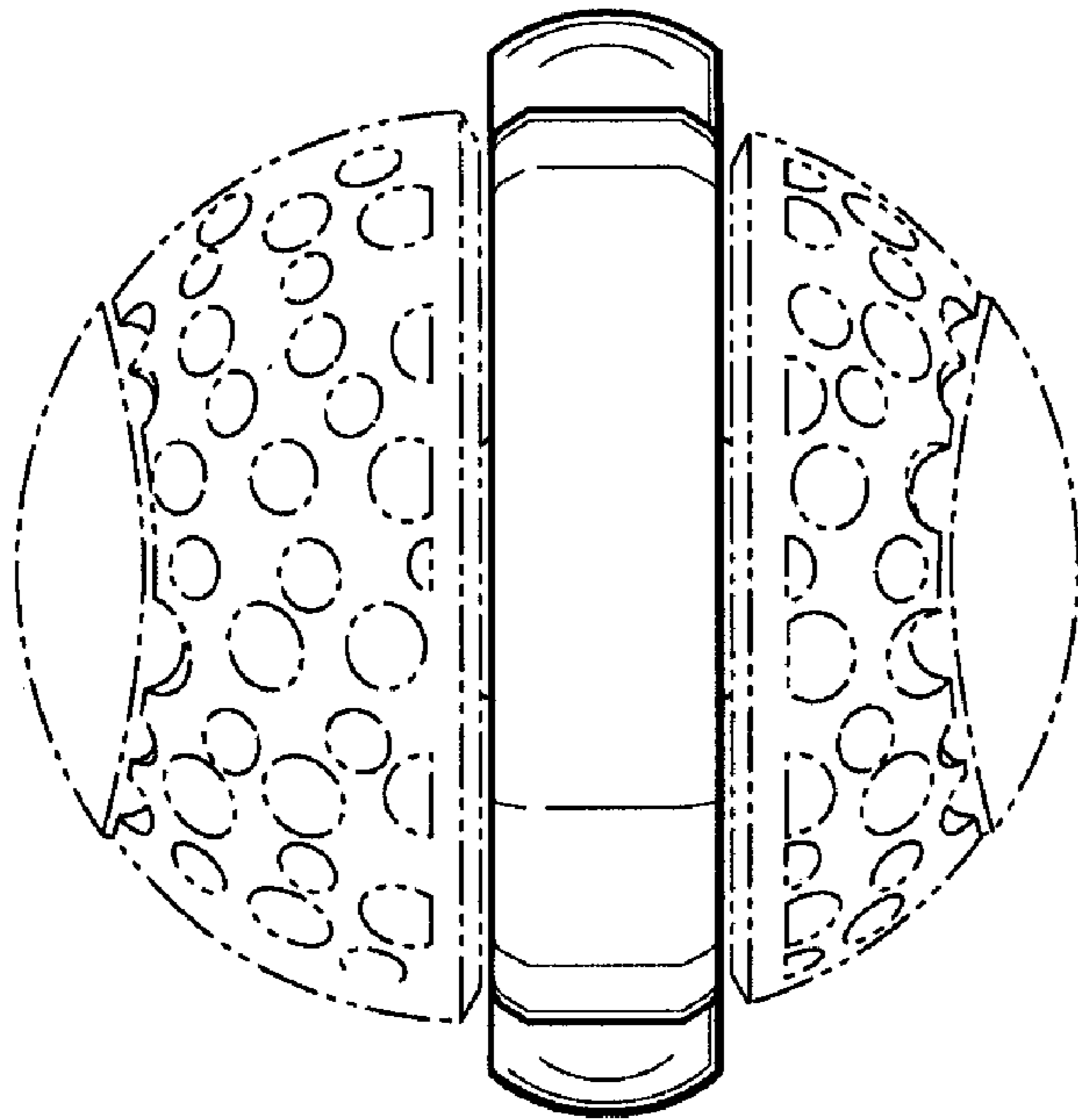
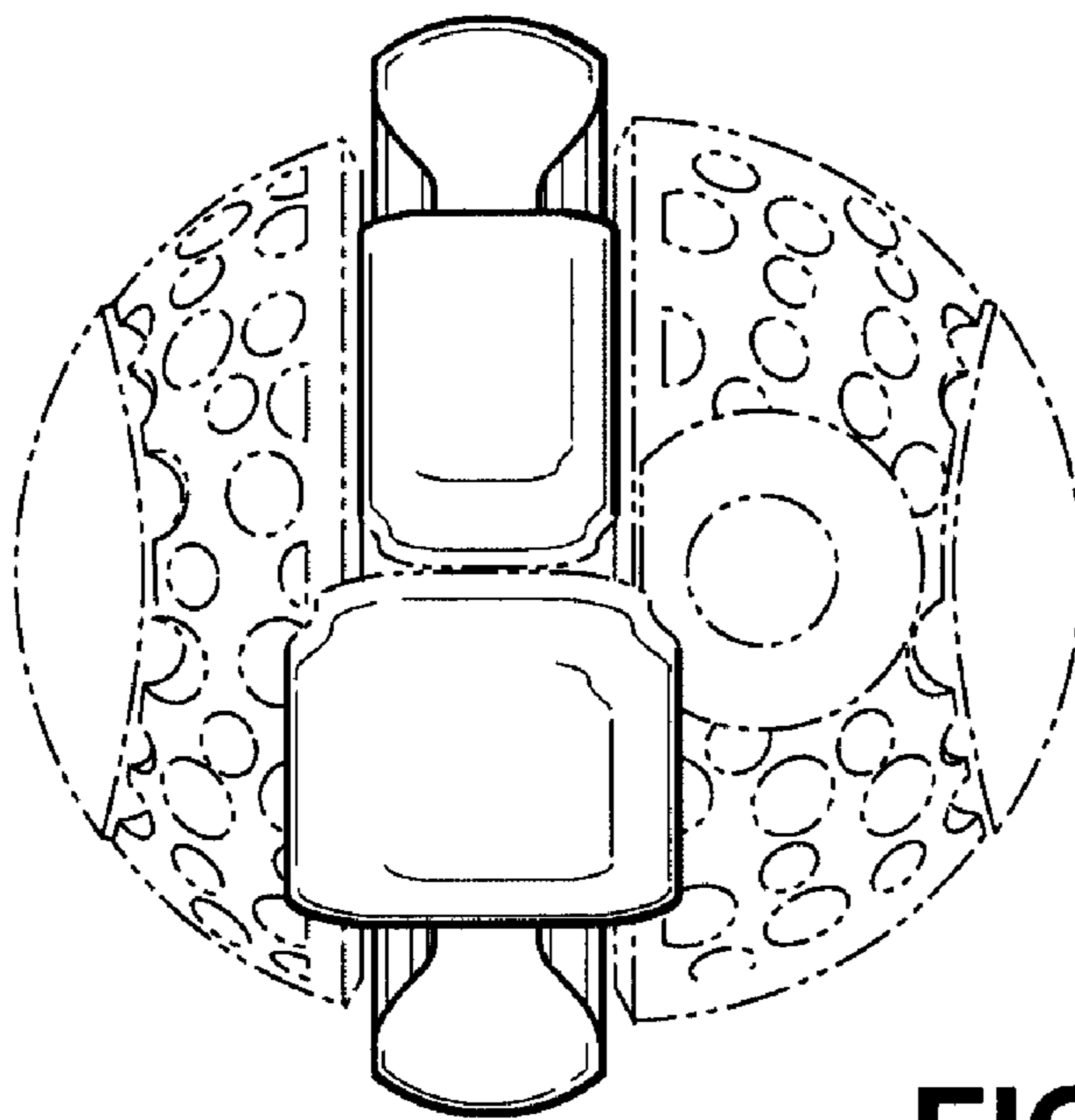


FIG - 5



**FIG - 7**



**FIG - 8**