



US00D563031S

(12) **United States Design Patent** (10) **Patent No.:** **US D563,031 S**
Hsu (45) **Date of Patent:** **** Feb. 26, 2008**

(54) **WALL SCONCE**

(75) Inventor: **Keen Hsu**, Taichung (TW)

(73) Assignee: **Dong Guan Bright Yinhuey Lighting Co., Ltd.**, Guang Dong (CN)

(**) Term: **14 Years**

(21) Appl. No.: **29/280,081**

(22) Filed: **May 16, 2007**

(51) **LOC (8) Cl.** **26-03**

(52) **U.S. Cl.** **D26/85**

(58) **Field of Classification Search** D26/72,
D26/85, 88, 89; 362/147, 404-408, 432
See application file for complete search history.

(56) **References Cited**

U.S. PATENT DOCUMENTS

D80,735 S *	3/1930	Lazerson	D26/85
D81,715 S *	7/1930	Ohm	D26/85
D81,716 S *	7/1930	Ohm	D26/85
D128,175 S *	7/1941	Rebechini	D26/85
D367,334 S *	2/1996	Porter et al.	D26/88
D395,728 S *	6/1998	Dolan	D26/85

OTHER PUBLICATIONS

Wall sconce 07404-31/58 on p. 45 and sconces 08401-33 and 09053-33 on p. 135 of the World Imports Catalog 26 © 2004.*

Wall sconces WB1141 ES and WB1142 ES on p. 149 of the Murray-Feiss 2004 Edition of The Big Book catalog.*

Wall sconce 41058-767 on p. 45 of the Seagull Lighting Catalog C2003.*

Wall sconce 87108-28-S on p. 33 of the Design Lighting Products Co. Catalog © 1990; and wall sconce HV8451UG on p. 63 of the QUOIZEL 2004 Catalog.*

* cited by examiner

Primary Examiner—Clare E Heflin

(74) *Attorney, Agent, or Firm*—Alan Kamrath; Kamrath & Associates PA

(57) **CLAIM**

The ornamental design for a wall sconce, as shown and described.

DESCRIPTION

FIG. 1 is a front elevational view of a wall sconce showing my design;

FIG. 2 is a rear elevational view thereof;

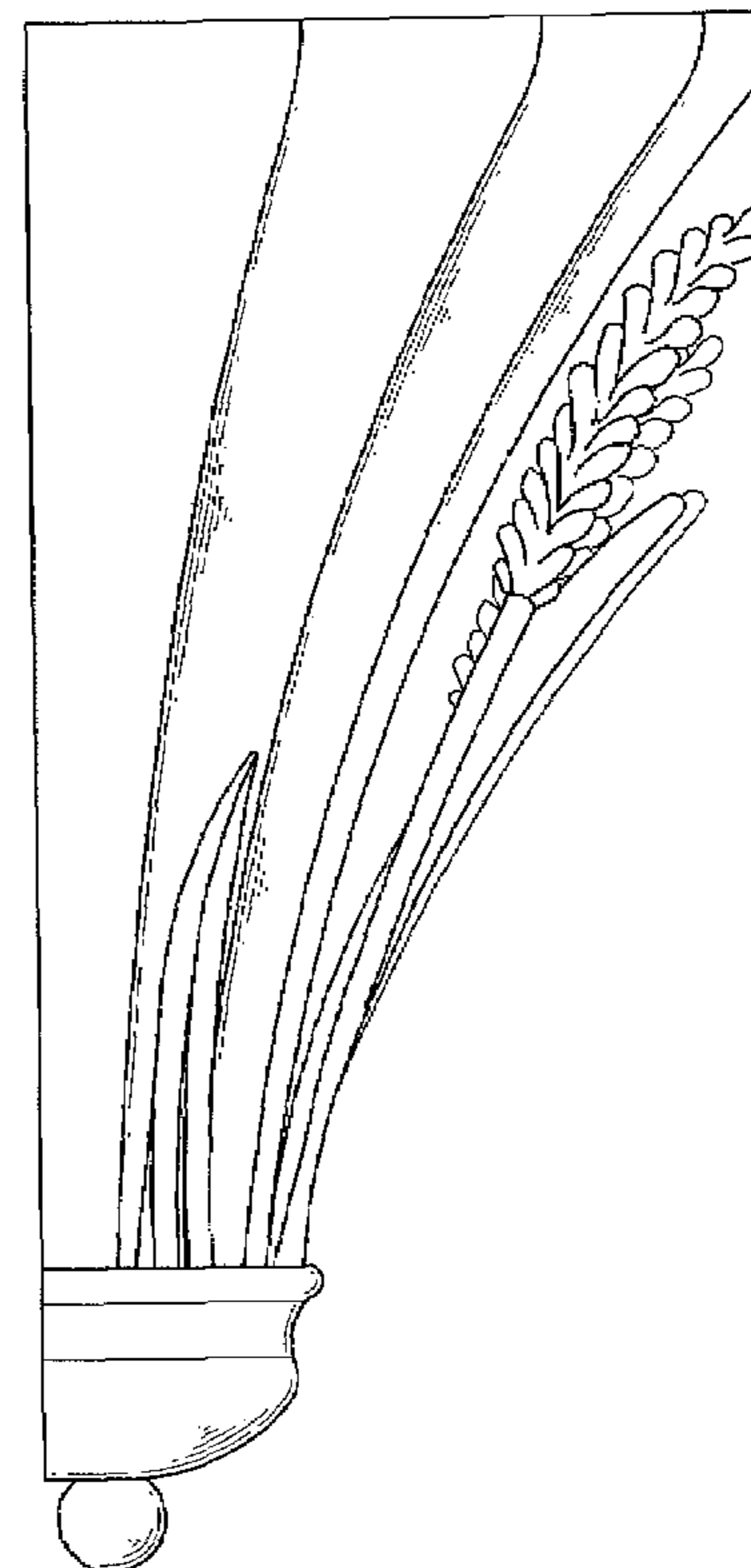
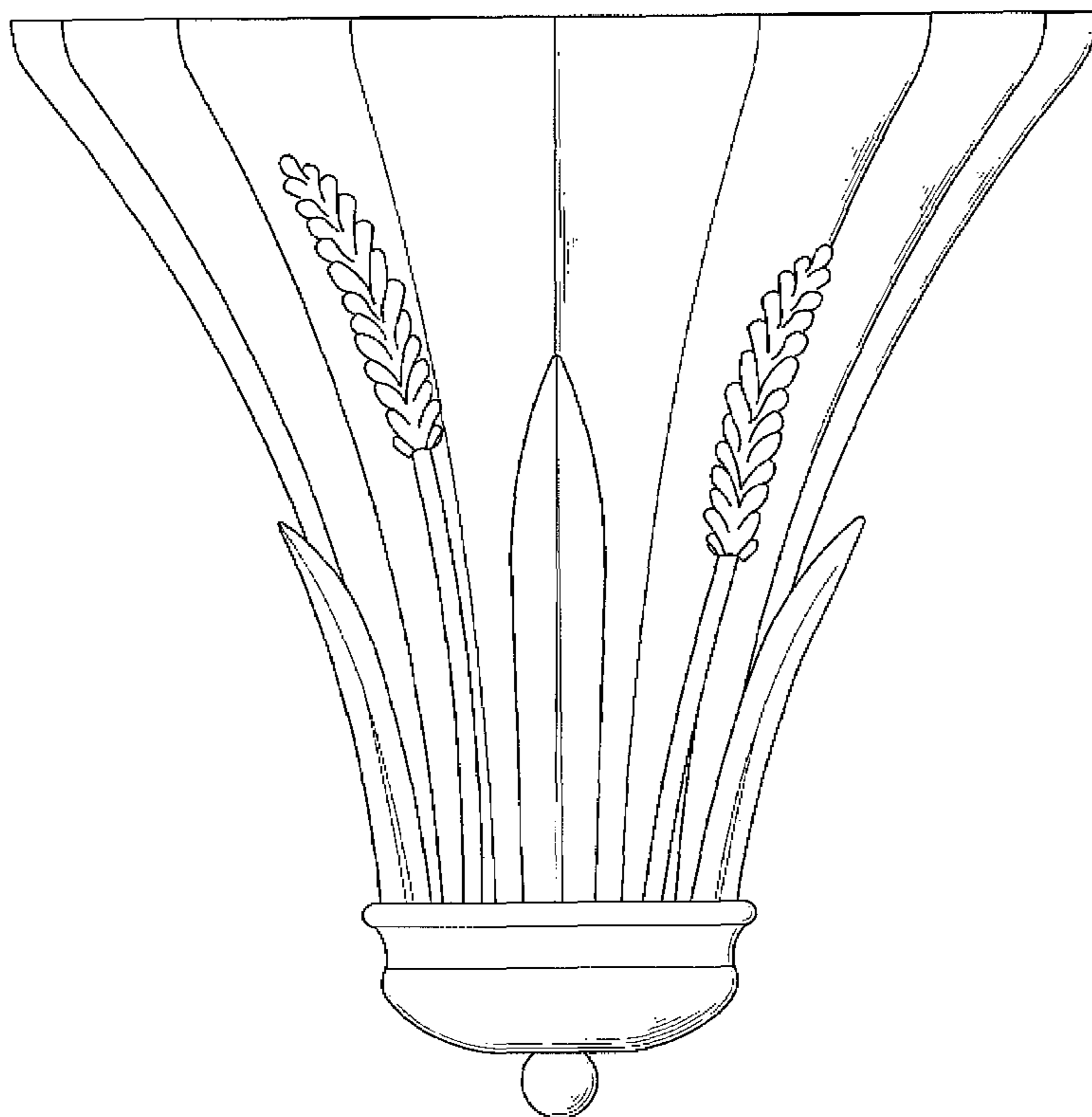
FIG. 3 is a left side elevational view thereof;

FIG. 4 is a right side elevational view thereof;

FIG. 5 is a top plan view thereof; and,

FIG. 6 is a bottom plan view thereof.

1 Claim, 6 Drawing Sheets



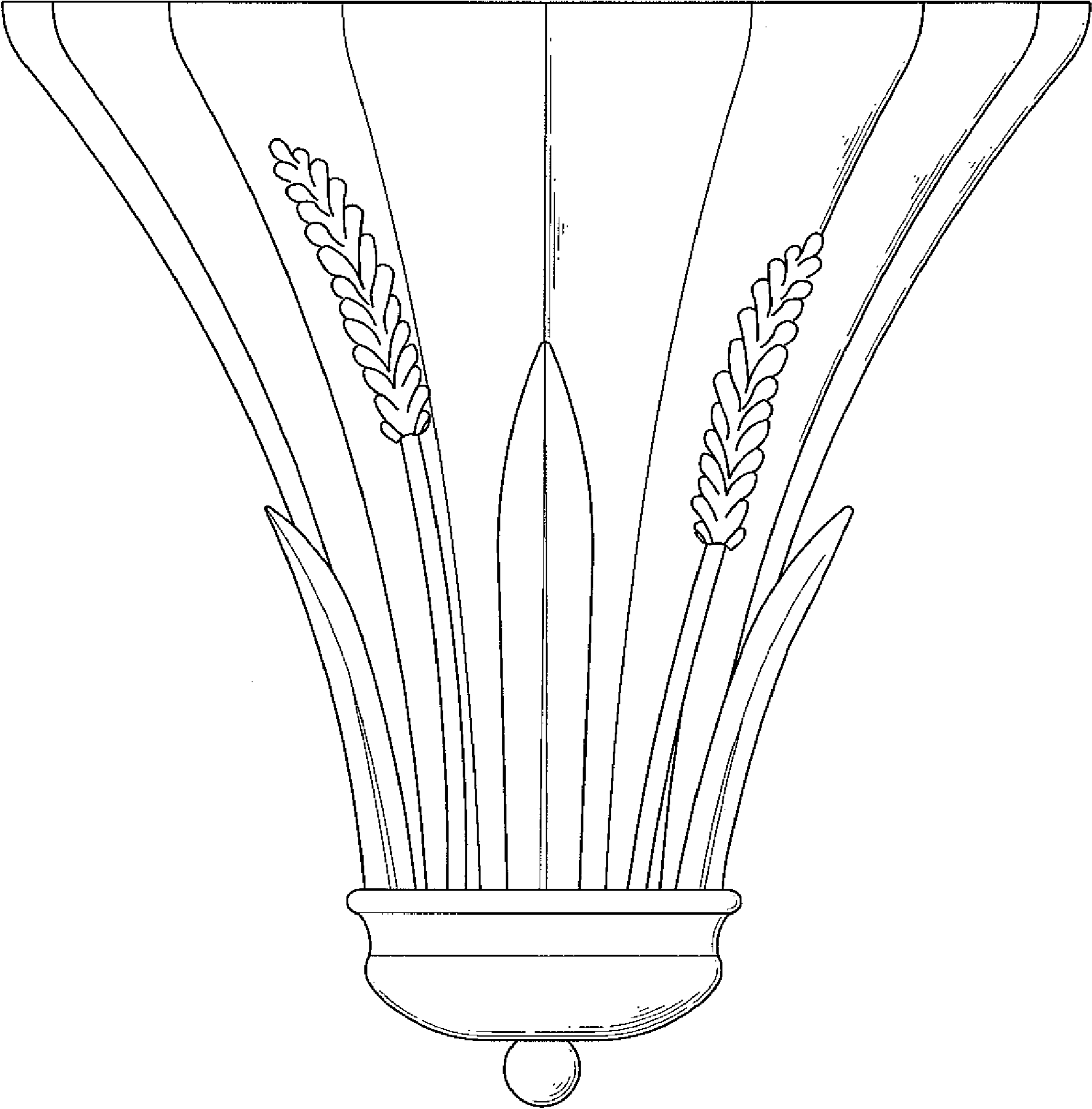


FIG. 1

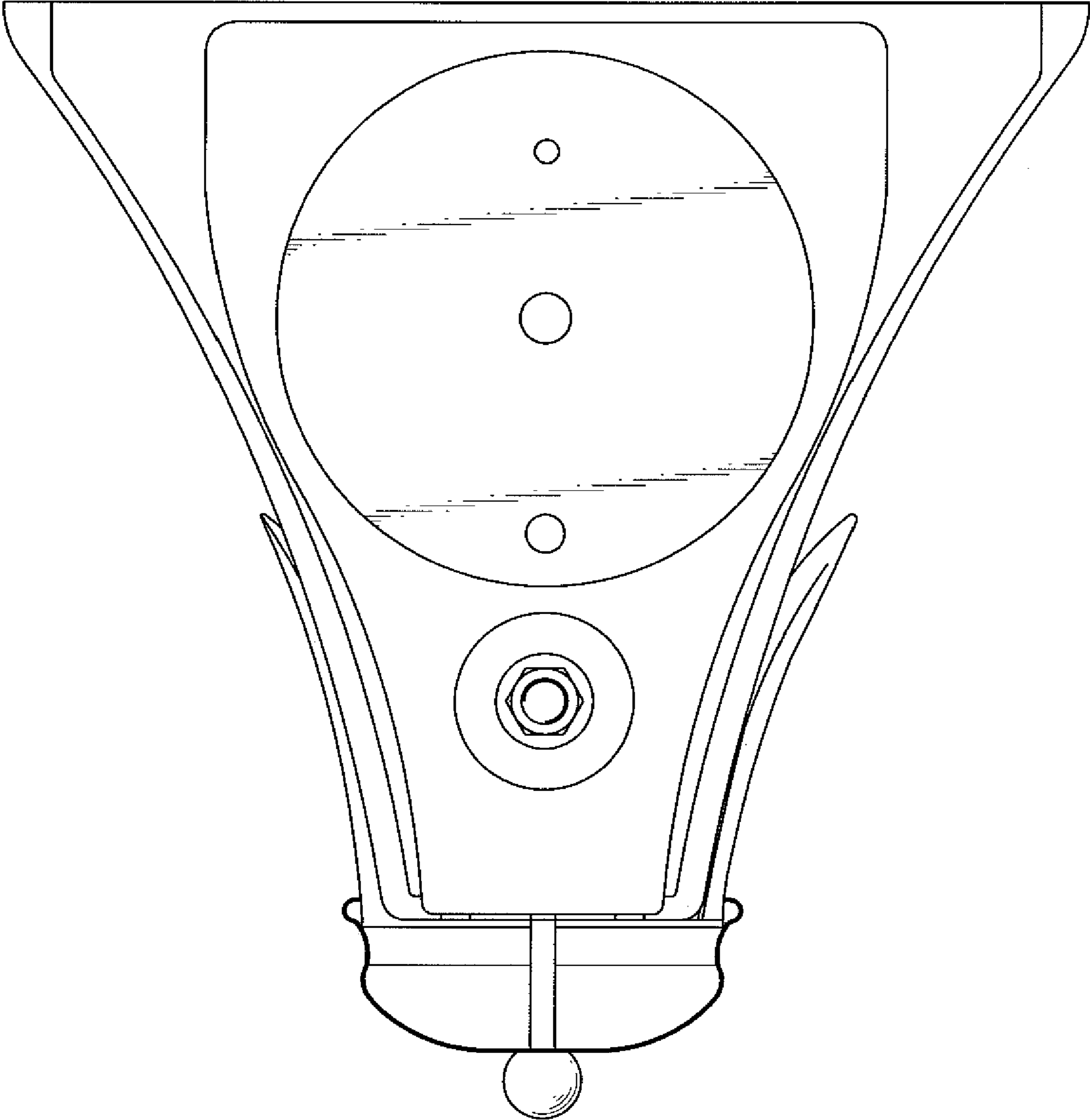


FIG. 2

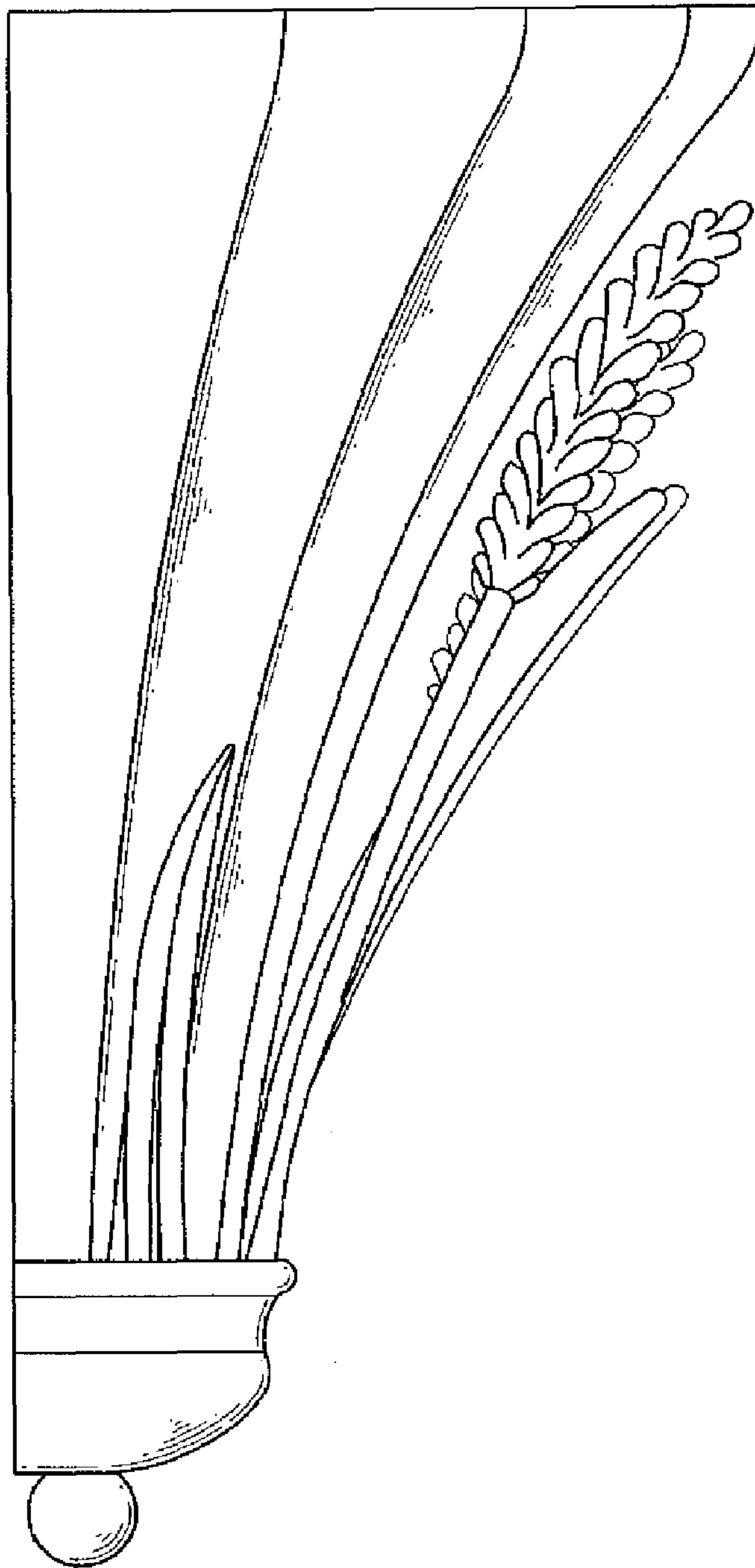


FIG. 3

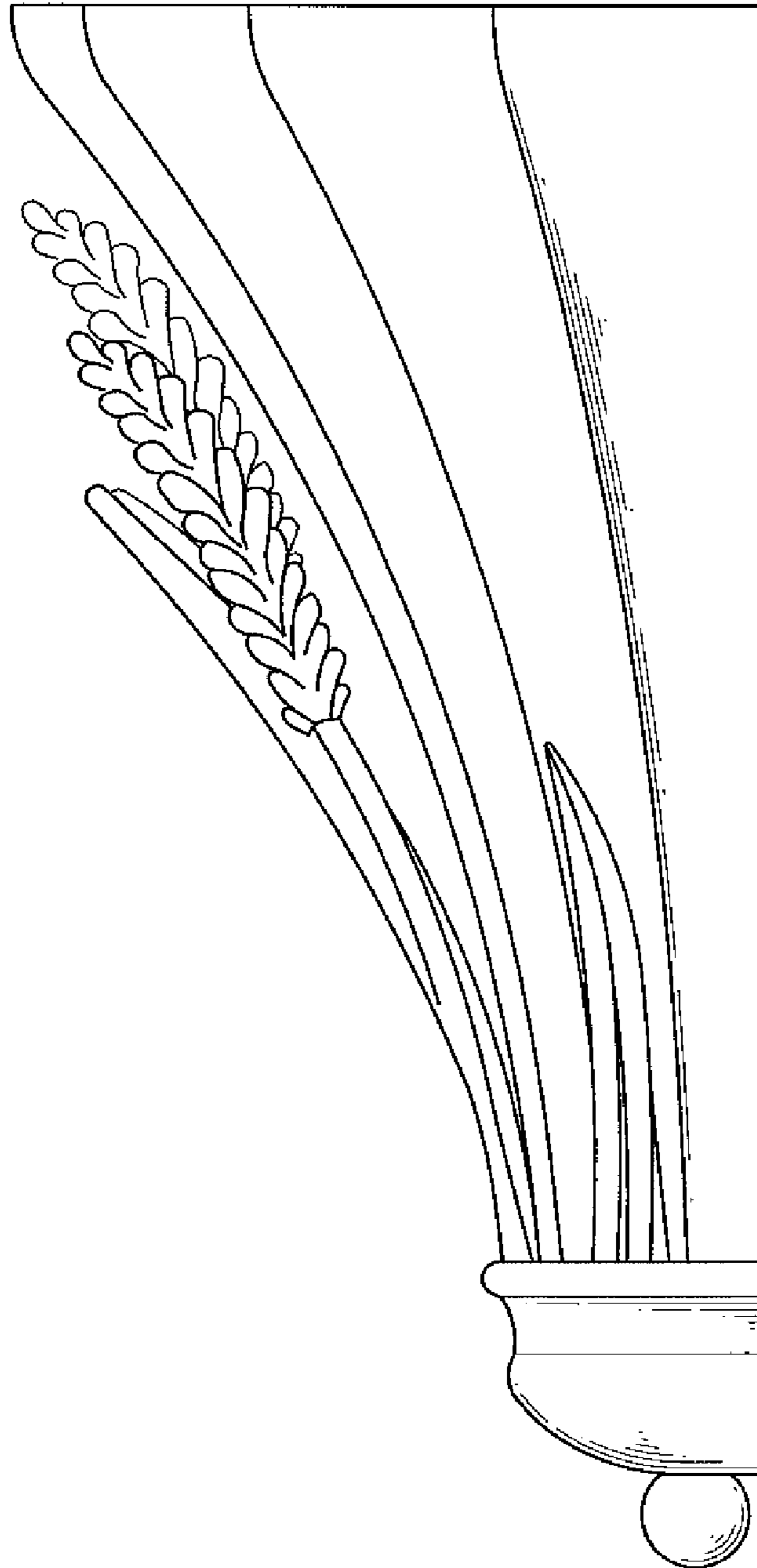


FIG. 4

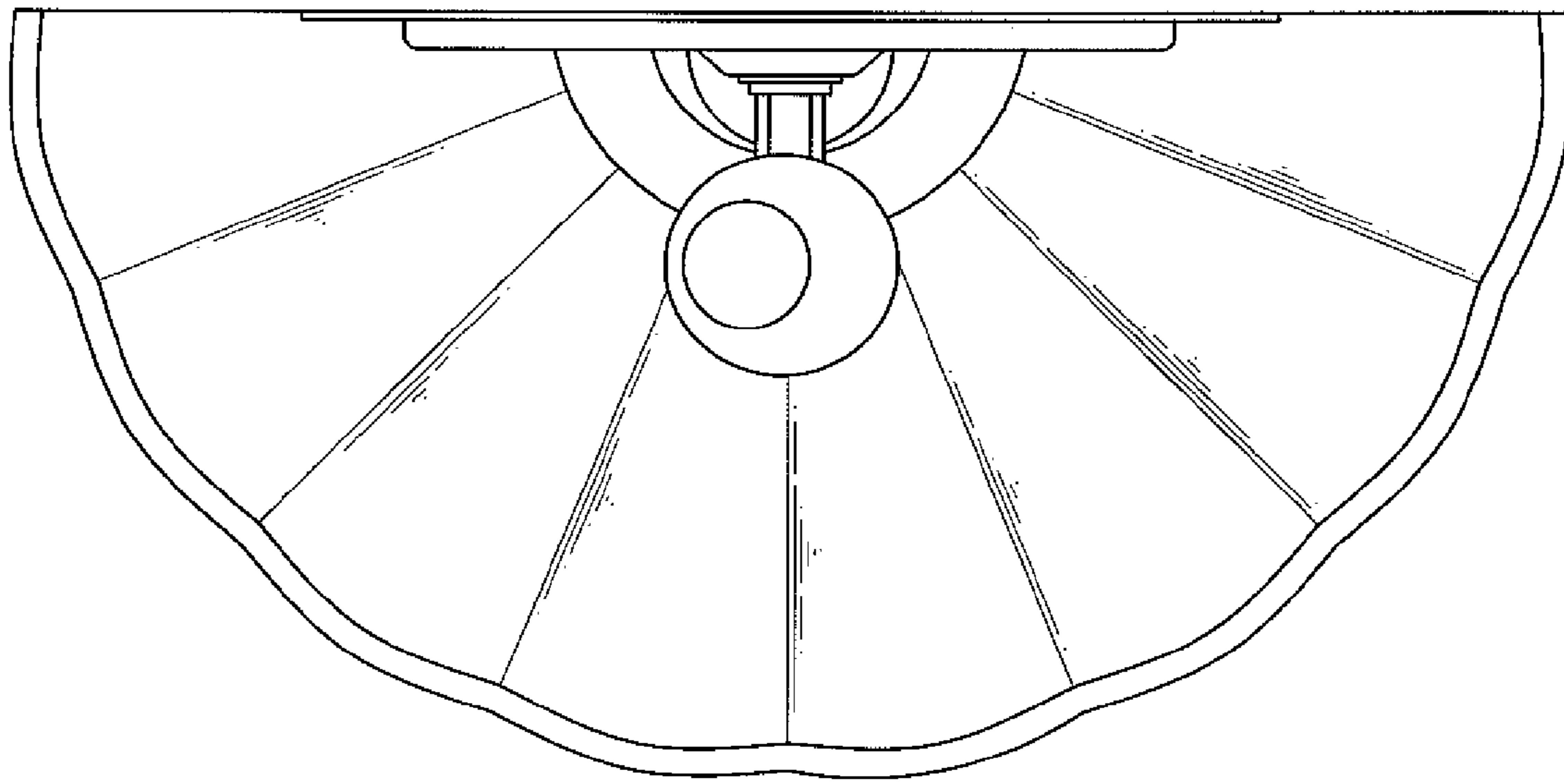


FIG. 5

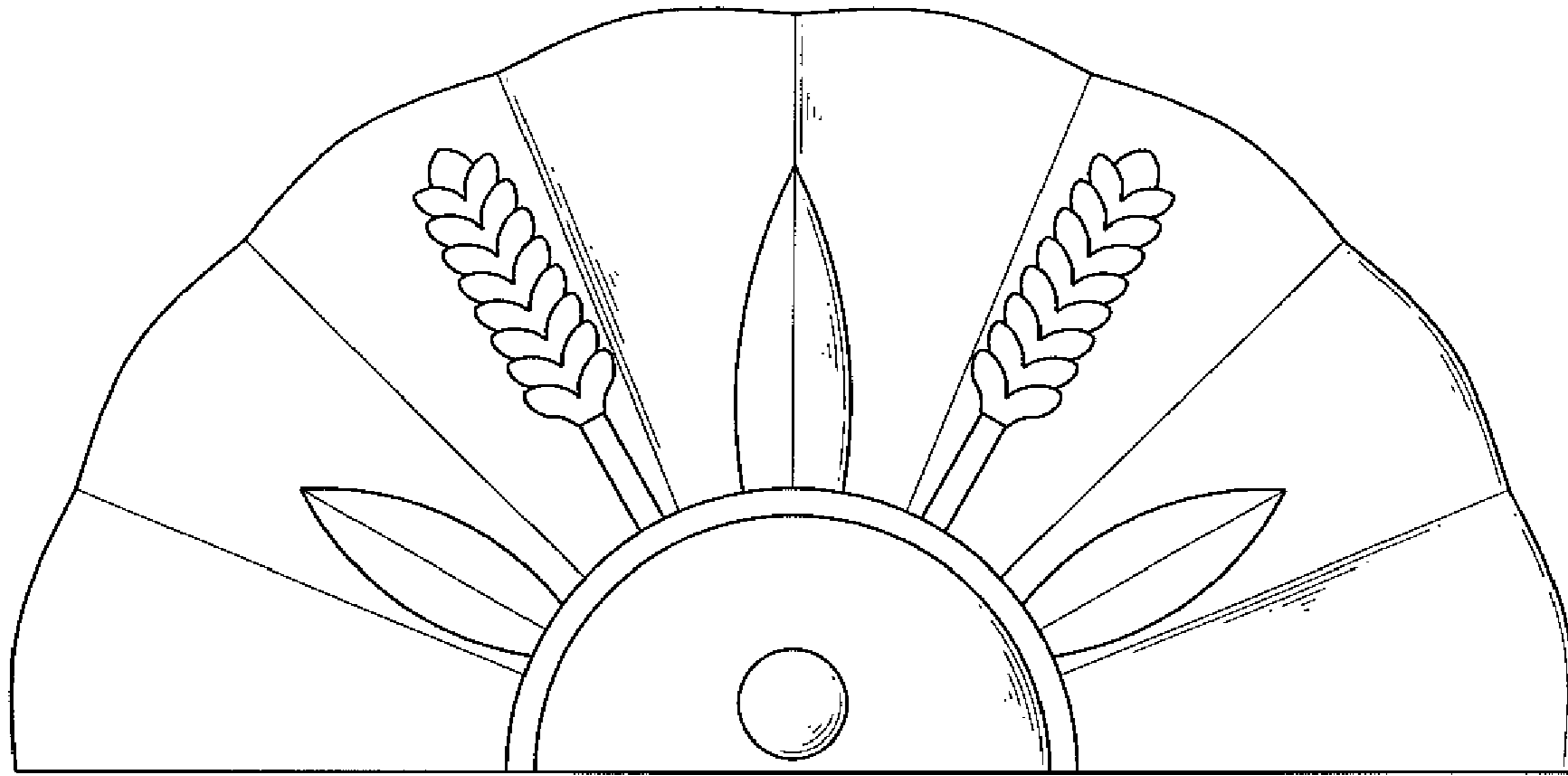


FIG. 6