



US00D563030S

(12) **United States Design Patent**  
**Hsu**

(10) **Patent No.:** **US D563,030 S**  
(45) **Date of Patent:** **\*\* Feb. 26, 2008**

(54) **WALL SCONCE**

(75) Inventor: **Keen Hsu**, Taichung (TW)

(73) Assignee: **Dong Guan Bright Yinhuey Lighting Co., Ltd.**, Guang Dong (CN)

(\*\*) Term: **14 Years**

(21) Appl. No.: **29/280,068**

(22) Filed: **May 15, 2007**

(51) **LOC (8) Cl.** ..... **26-03**

(52) **U.S. Cl.** ..... **D26/85**

(58) **Field of Classification Search** ..... D26/72,  
D26/85, 88, 89; 362/147, 404-408, 432  
See application file for complete search history.

(56) **References Cited**

**U.S. PATENT DOCUMENTS**

D80,735 S	*	3/1930	Lazerson	.....	D26/85
D81,715 S	*	7/1930	Ohm	.....	D26/85
D128,175 S	*	7/1941	Rebechini	.....	D6/574
D395,728 S	*	6/1998	Dolan	.....	D26/85
D441,118 S	*	4/2001	Hammar	.....	D26/85

**OTHER PUBLICATIONS**

Wall sconce GZ-9-9611-1-47 on p. 183 of the Savoy House Master Catalog © 2005.\*

Wall sconces 08401-33 and 09053-33 on p. 135, and 08410-33/58 on p. 134 of the World Imports Catalog No. 26. © 2004.\*

Wall sconces 2518, 2514 and 9767 on p. W6 of the CORBETT Wall Sconce Lighting Catalog © 1994.\*

Wall sconce WB1142 ES on p. 149 of the Murray-Feiss 2004 Edition of The Big Book Catalog.\*

\* cited by examiner

*Primary Examiner*—Clare E Heflin

(74) *Attorney, Agent, or Firm*—Alan Kamrath; Kamrath & Associates PA

(57) **CLAIM**

The ornamental design for a wall sconce, as shown and described.

**DESCRIPTION**

FIG. 1 is a front elevational view of a wall sconce showing my design;

FIG. 2 is a rear elevational view thereof;

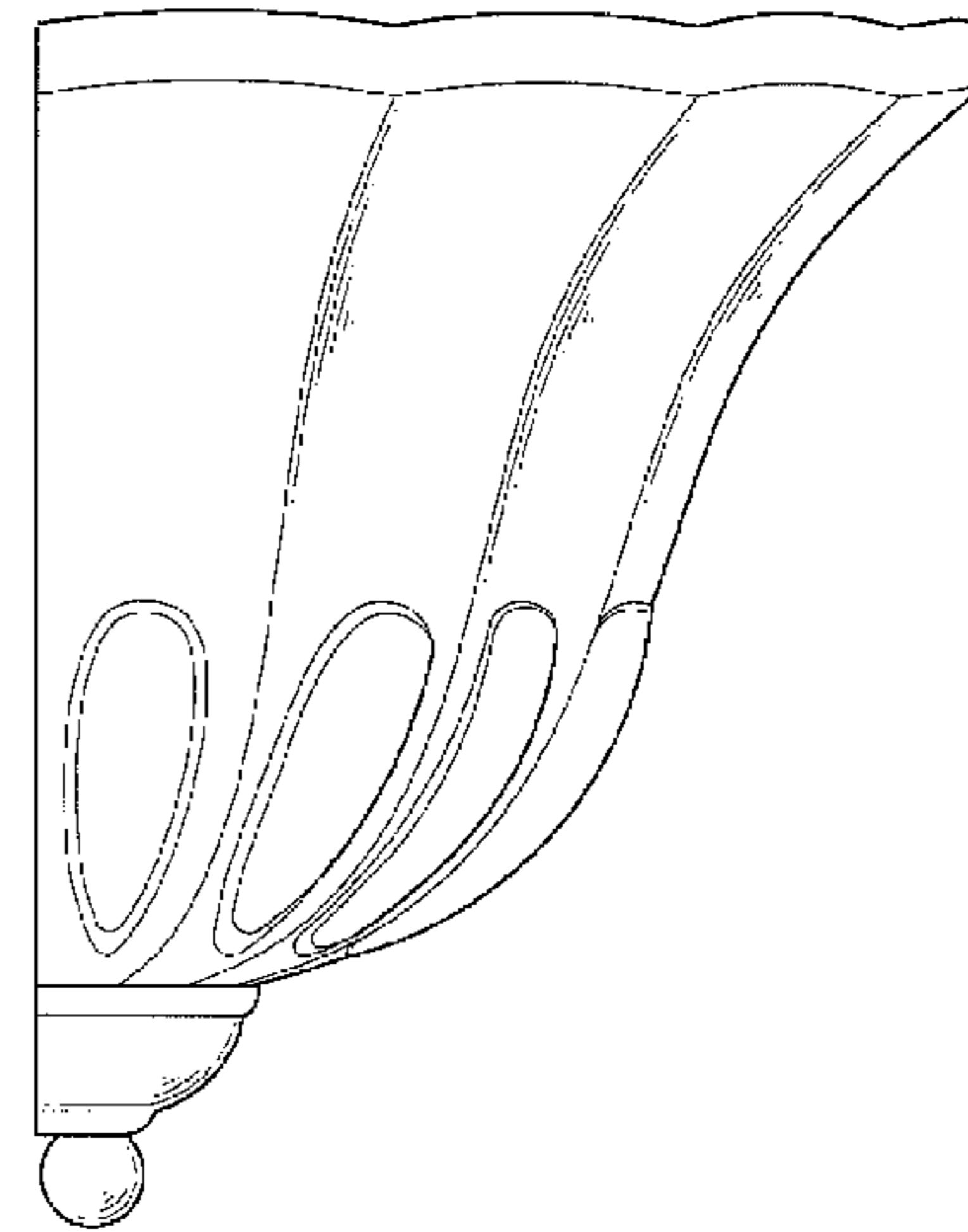
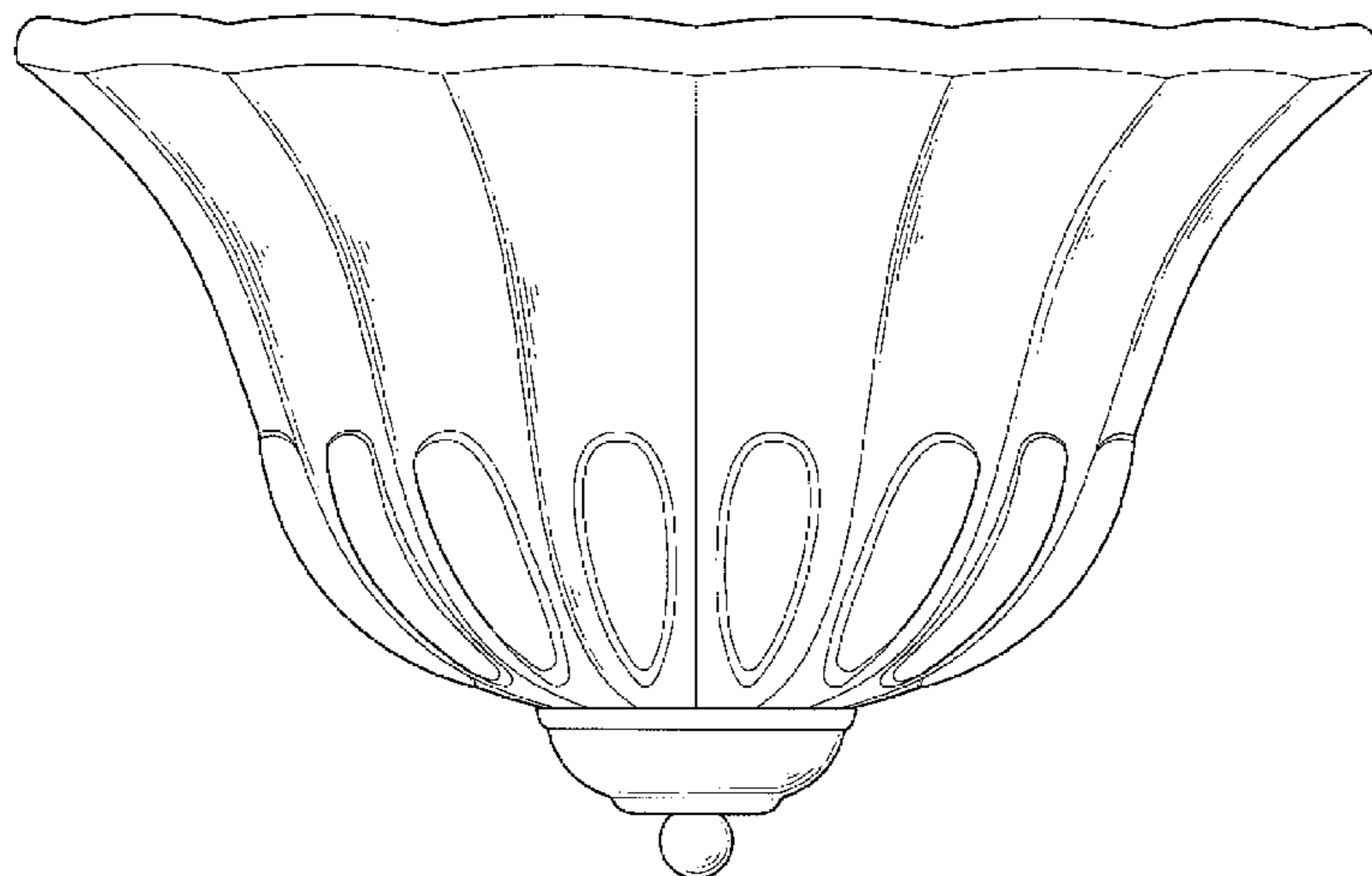
FIG. 3 is a left side elevational view thereof;

FIG. 4 is a right side elevational view thereof;

FIG. 5 is a top plan view thereof; and,

FIG. 6 is a bottom plan view thereof.

**1 Claim, 5 Drawing Sheets**



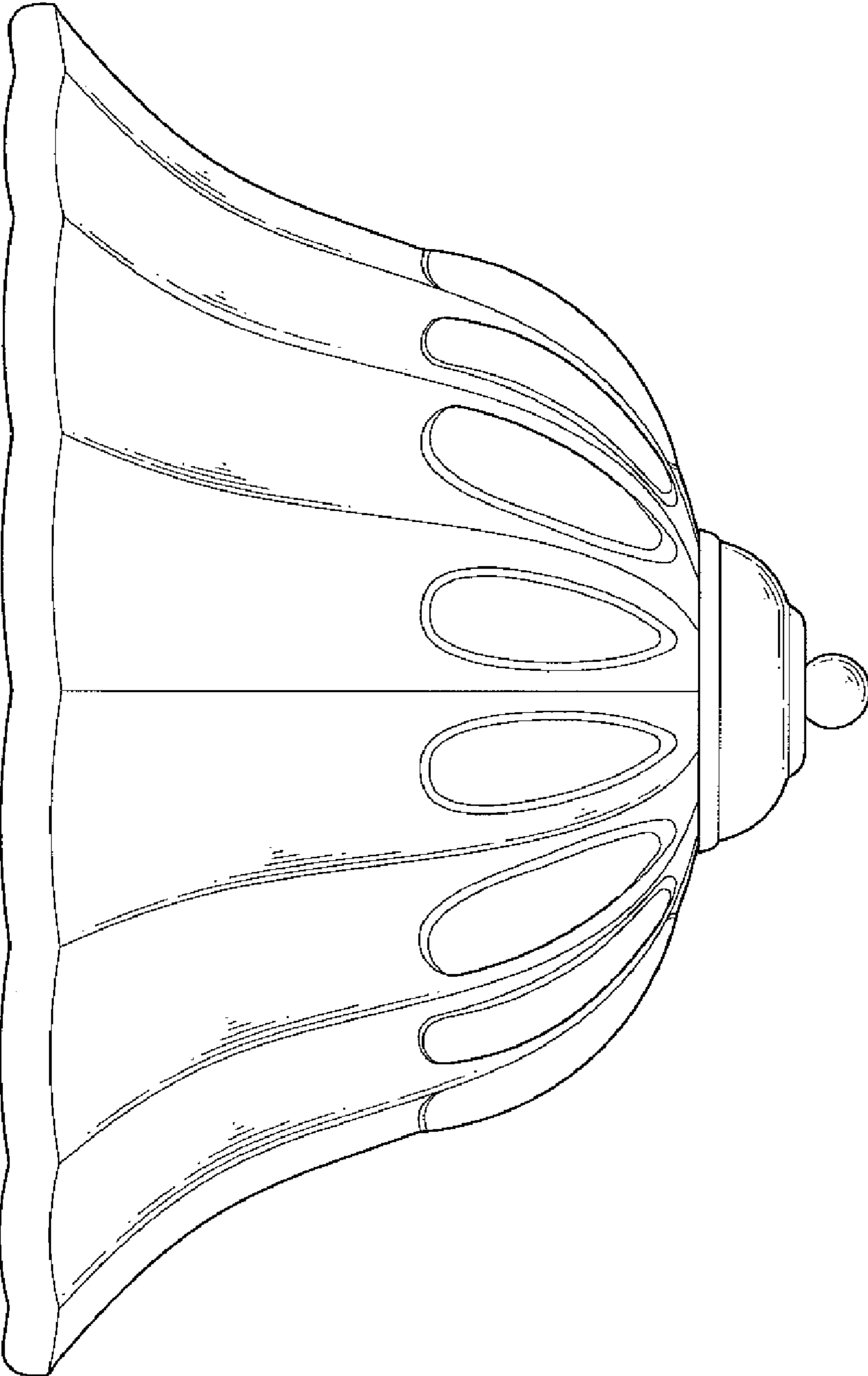


FIG.1

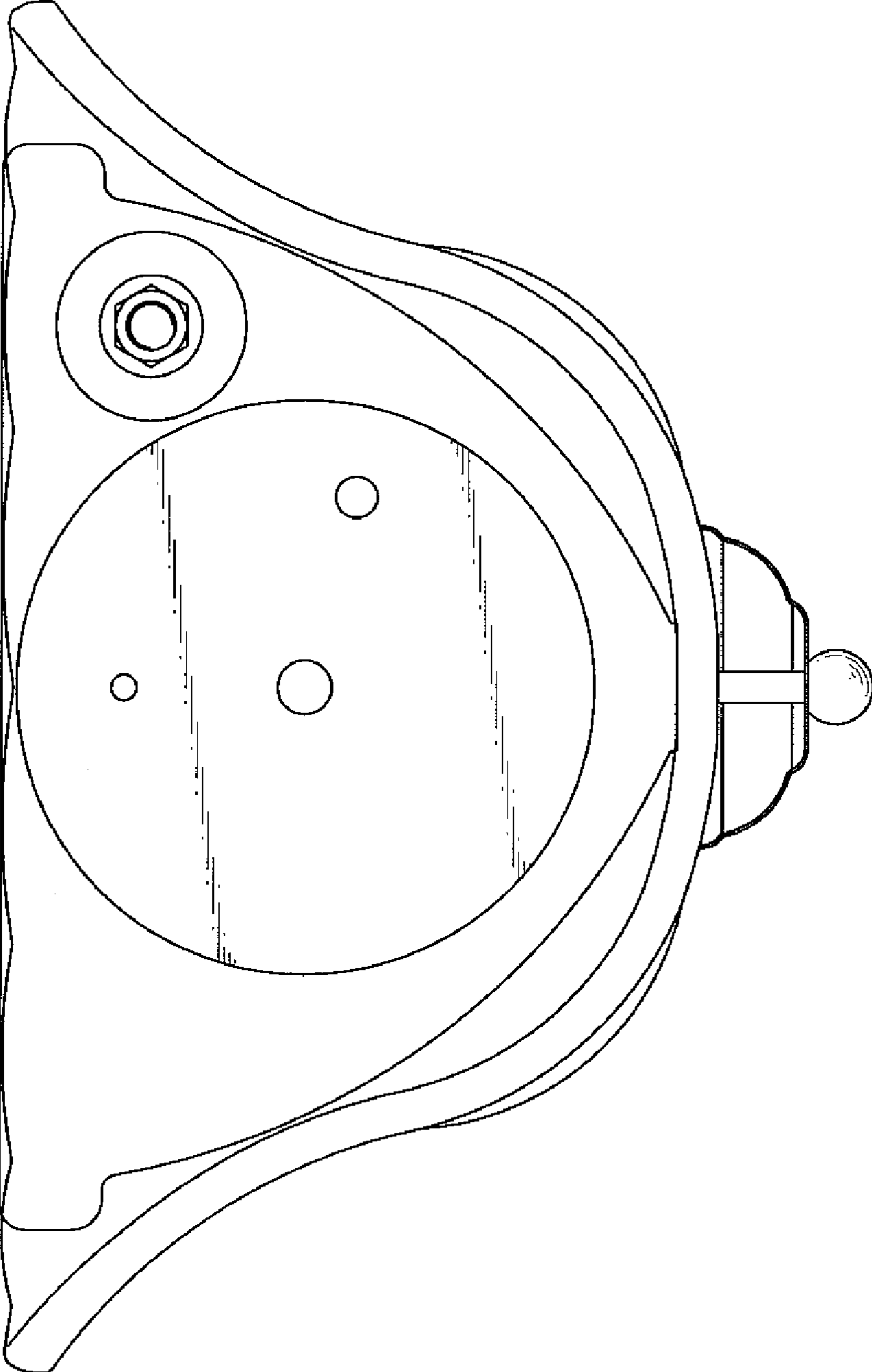


FIG. 2

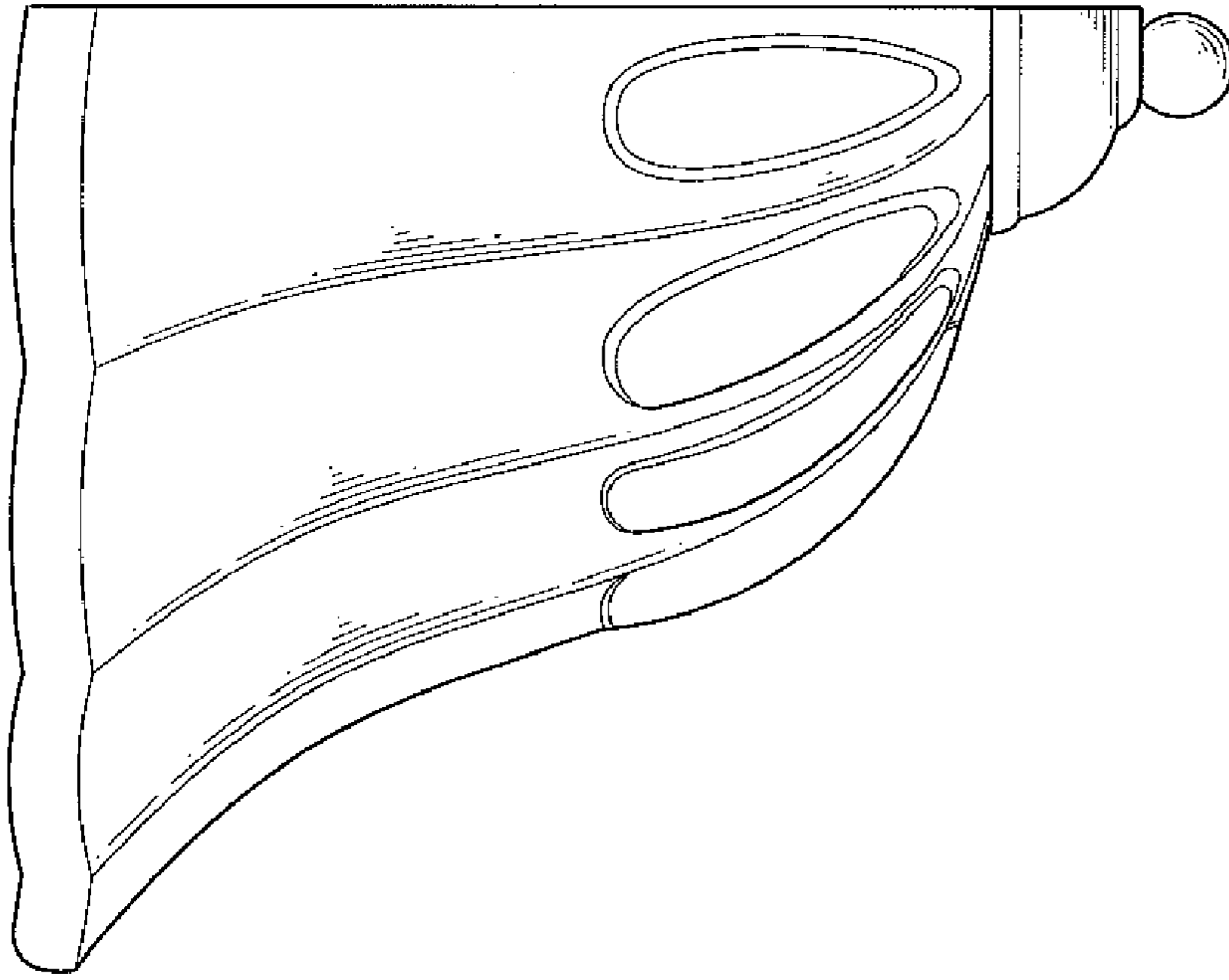


FIG. 3

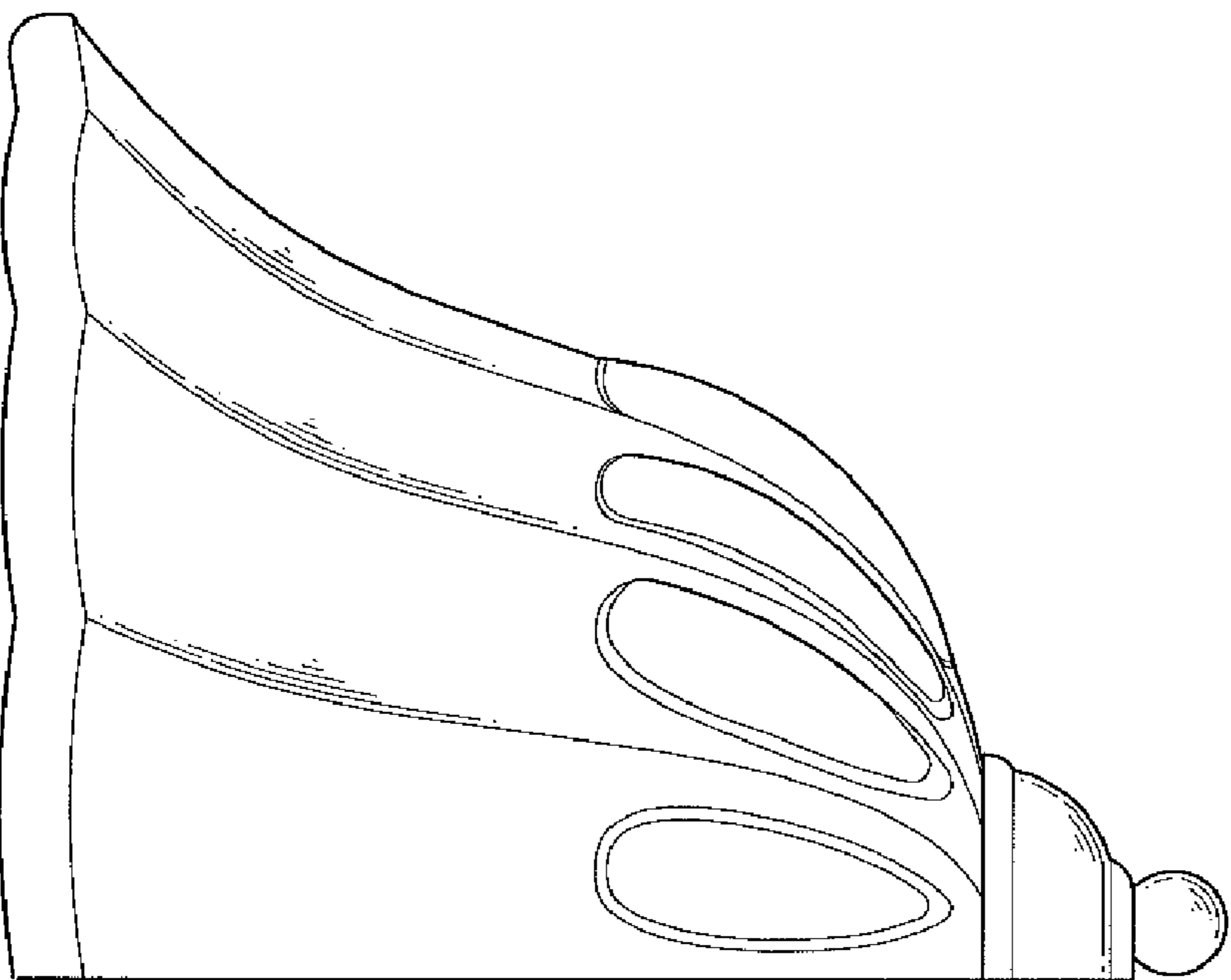


FIG. 4

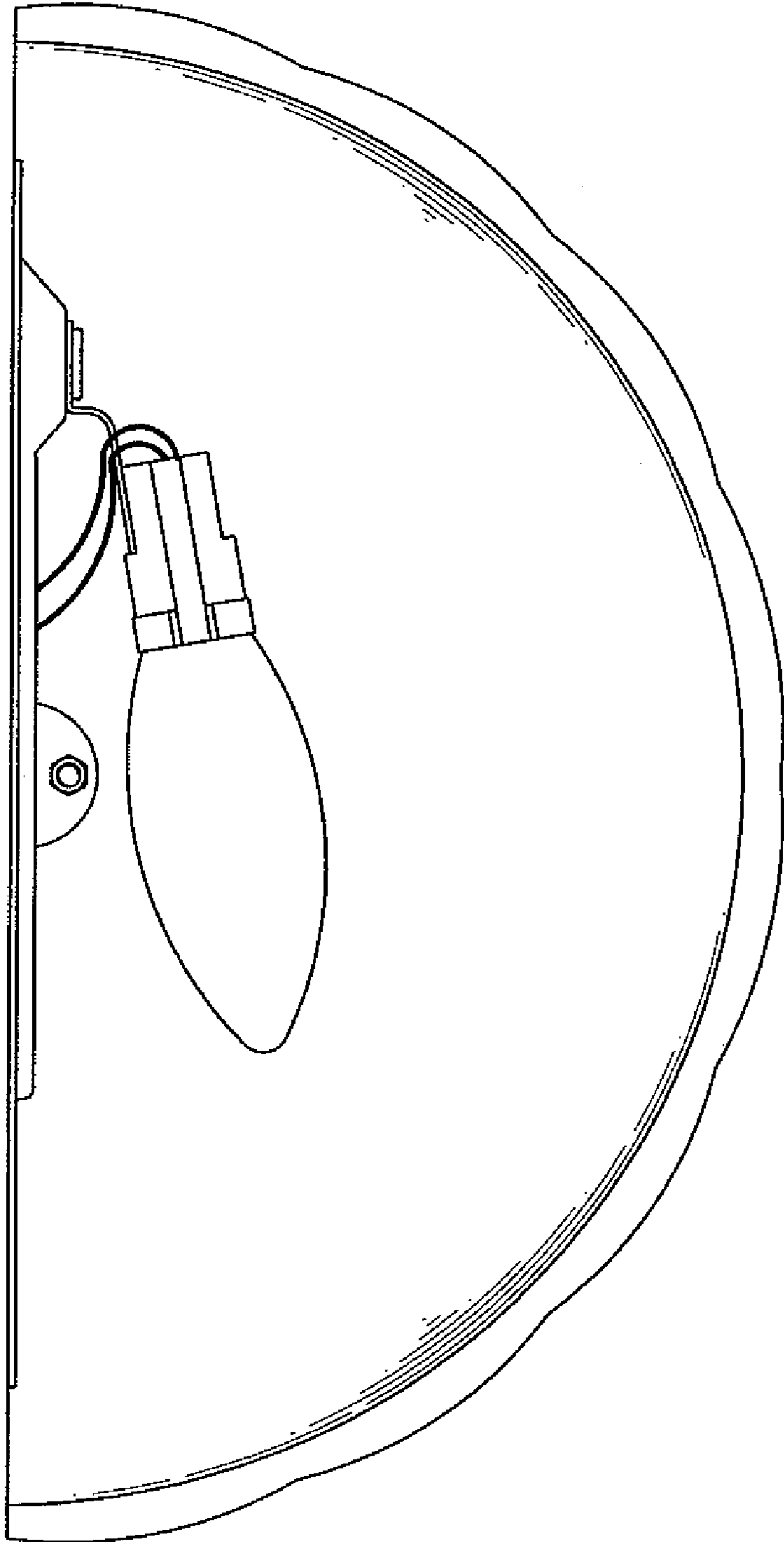


FIG. 5

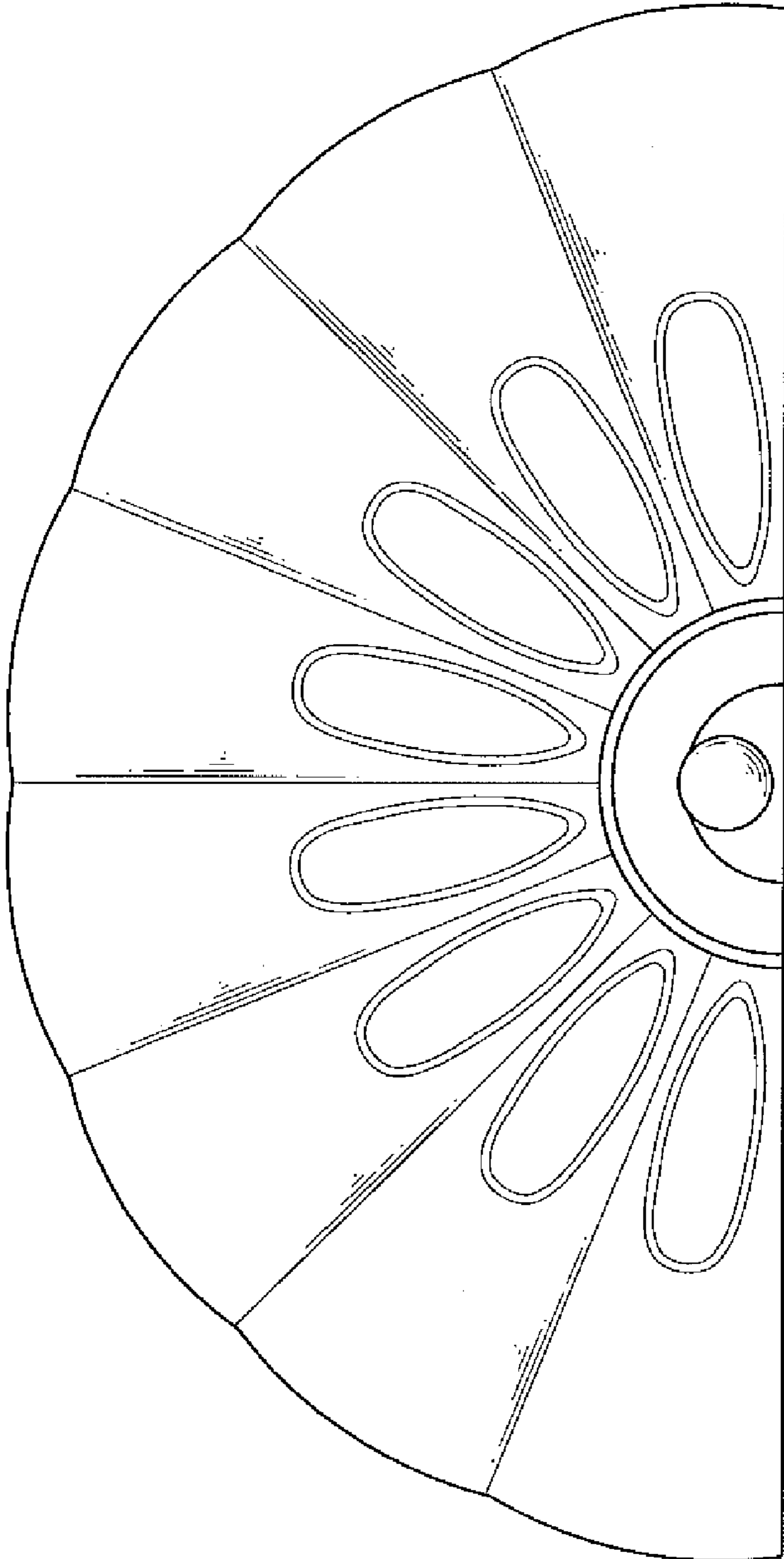


FIG. 6