



US00D563024S

(12) **United States Design Patent**  
**Hetfield et al.**

(10) **Patent No.:** **US D563,024 S**

(45) **Date of Patent:** **\*\* Feb. 26, 2008**

(54) **LUMINAIRE**

(75) Inventors: **Margaret L. Hetfield**, Bristol, RI (US);  
**James Neeld**, Tiverton, RI (US); **Paul Shapiro**,  
Riverside, RI (US); **Richard Meyer**, Providence, RI (US)

(73) Assignee: **Genlyte Thomas Group, LLC**,  
Louisville, KY (US)

(\*\*) Term: **14 Years**

(21) Appl. No.: **29/276,242**

(22) Filed: **Jan. 19, 2007**

(51) **LOC (8) Cl.** ..... **26-05**

(52) **U.S. Cl.** ..... **D26/72; D26/88**

(58) **Field of Classification Search** ..... D26/72,  
D26/75, 79, 84, 85, 86, 88, 90, 91; 362/147,  
362/404-408, 432

See application file for complete search history.

(56) **References Cited**

**U.S. PATENT DOCUMENTS**

2,618,676	A	11/1952	Howard	
3,258,239	A *	6/1966	Lee	248/342
D226,973	S *	5/1973	Monte	D26/75
D227,499	S *	6/1973	Monte	D26/75
D227,593	S *	7/1973	Monte	D26/75
4,344,112	A *	8/1982	Brown	362/96
D295,329	S	4/1988	Roos et al.	
5,134,554	A *	7/1992	Donato et al.	362/651
D332,502	S	1/1993	Roos	
D400,287	S *	10/1998	Littman et al.	D26/88
7,249,871	B2 *	7/2007	Chen	362/407

**OTHER PUBLICATIONS**

Three (3) fixtures found online at LBCLighting.com on Sep. 20, 2007: 1.) Konic Pendant Shade #G711 by WAC Lighting; 2.)

Mesh & Glass Pendant #G63PK-STN-CLEAR from Alfa Lighting; 3.) Jane Glass Shade #F5345 from Forecast Lighting.\*

Two (2) fixtures found online at LBCLighting.com on Sep. 20, 2007: 1.) Tetra Pendant #700FJTETW and 2.) Mini-Echo Pendant #700F JECP both from Tech Lighting.\*

Two (2) fixtures found online at LBCLighting.com on Sep. 20, 2007: 1.) Cortona Pendant #65 from Prima Lighting; and 2.) GiGi Cable Suspended Pendant #50514 from Access Lighting.\*

\* cited by examiner

*Primary Examiner*—Clare E Heflin

(74) *Attorney, Agent, or Firm*—John F. Salazar; Middleton Reutlinger

(57) **CLAIM**

The ornamental design for a luminaire, as shown and described.

**DESCRIPTION**

FIG. 1 is an upper perspective view of the luminaire of the present invention;

FIG. 2 is a left side view of the design of the present invention;

FIG. 3 is a front view of the design of the present invention;

FIG. 4 is a right side view of the design of the present invention;

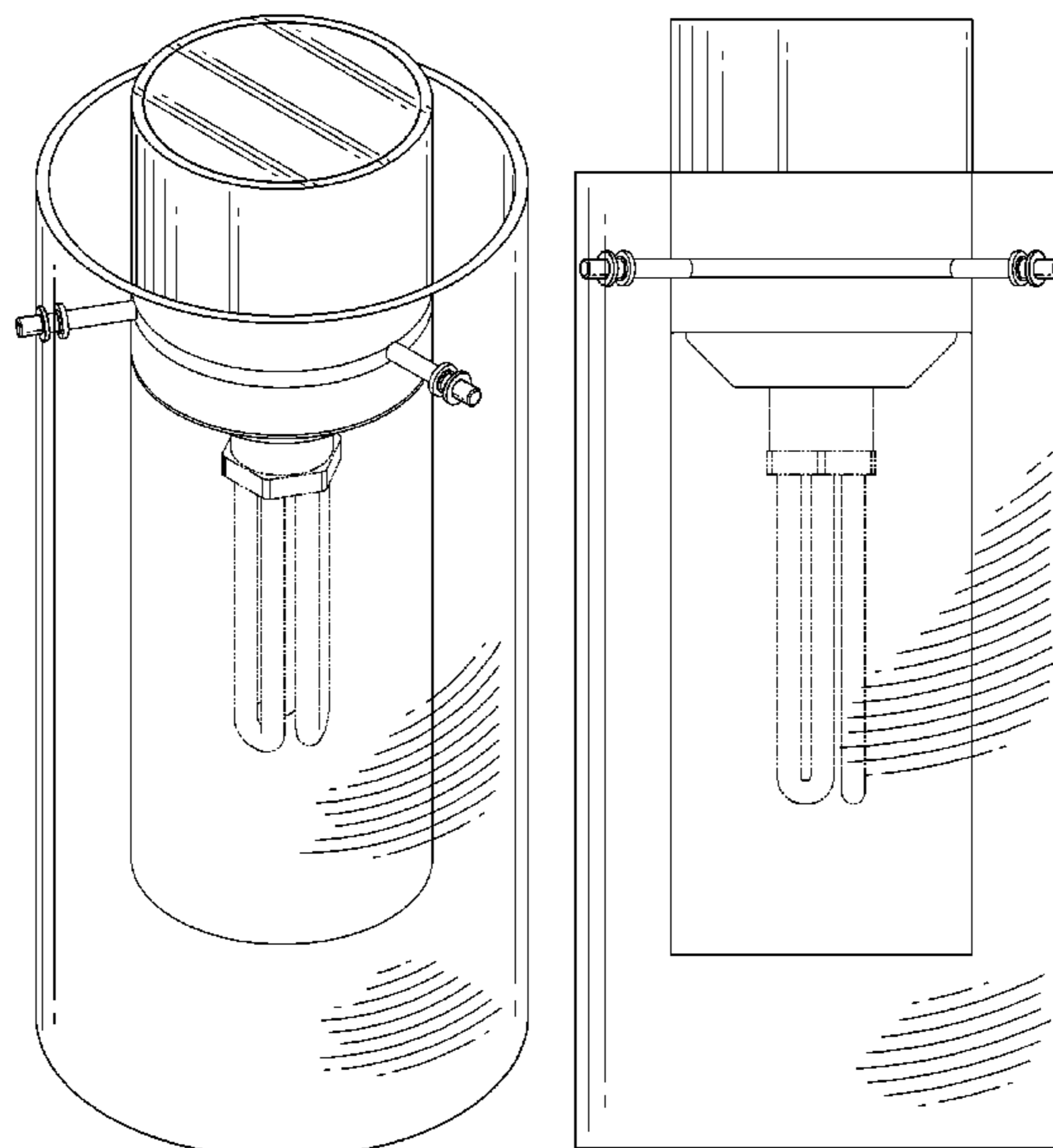
FIG. 5 is a rear view of the design of the present invention;

FIG. 6 is a top view of the design of the present invention; and,

FIG. 7 is a bottom view of the design of the present invention.

The broken lines showing environmental structure are for illustrative purposes only and form no part of the claimed design.

**1 Claim, 7 Drawing Sheets**



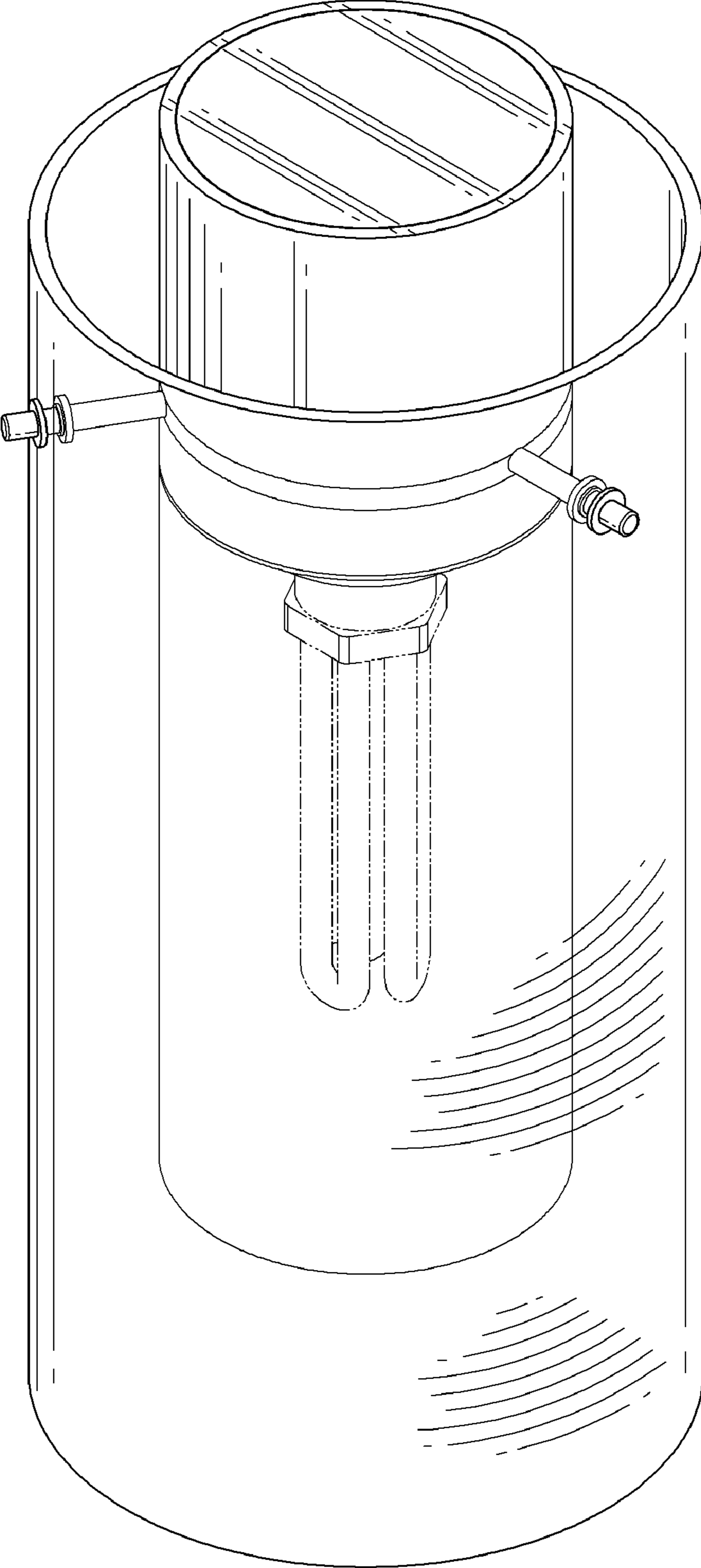


FIG. 1

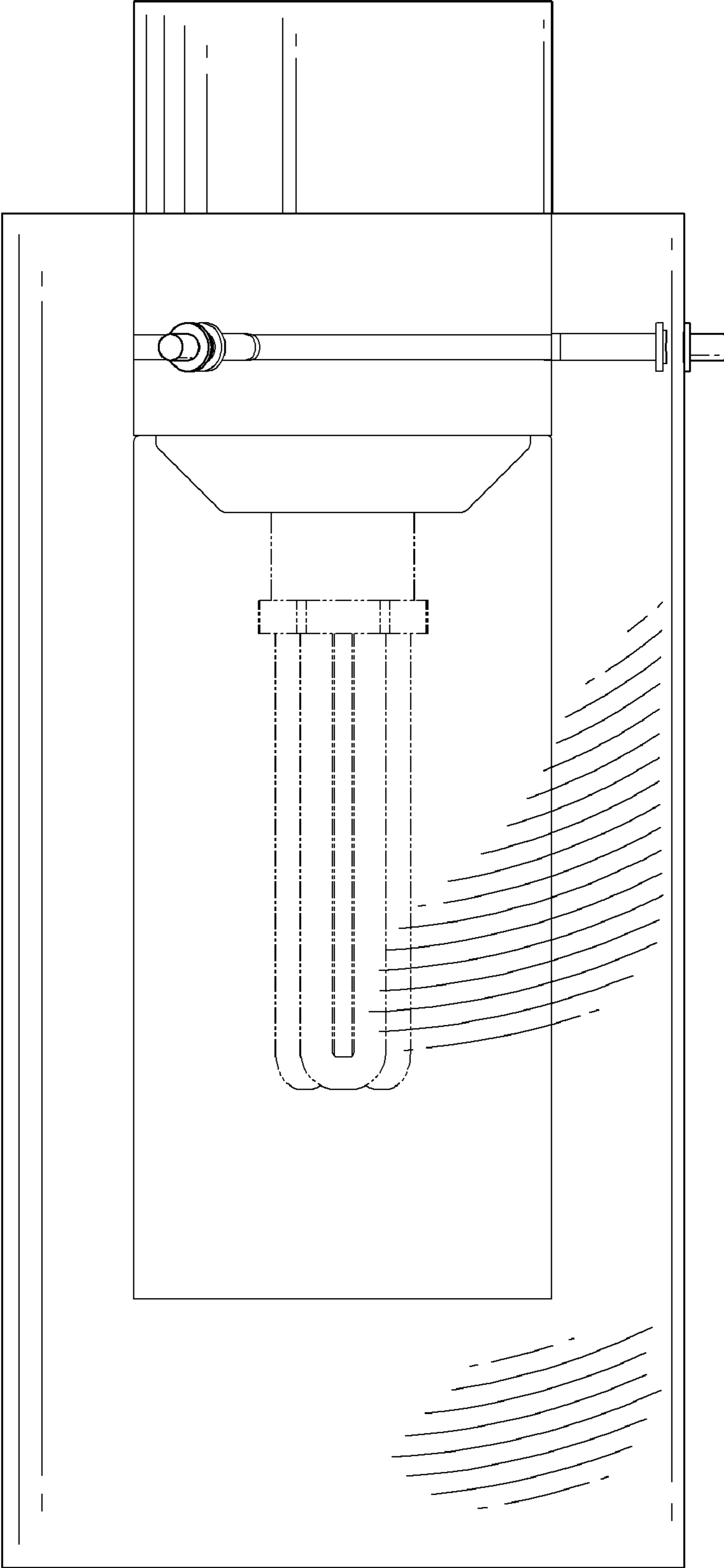


FIG. 2

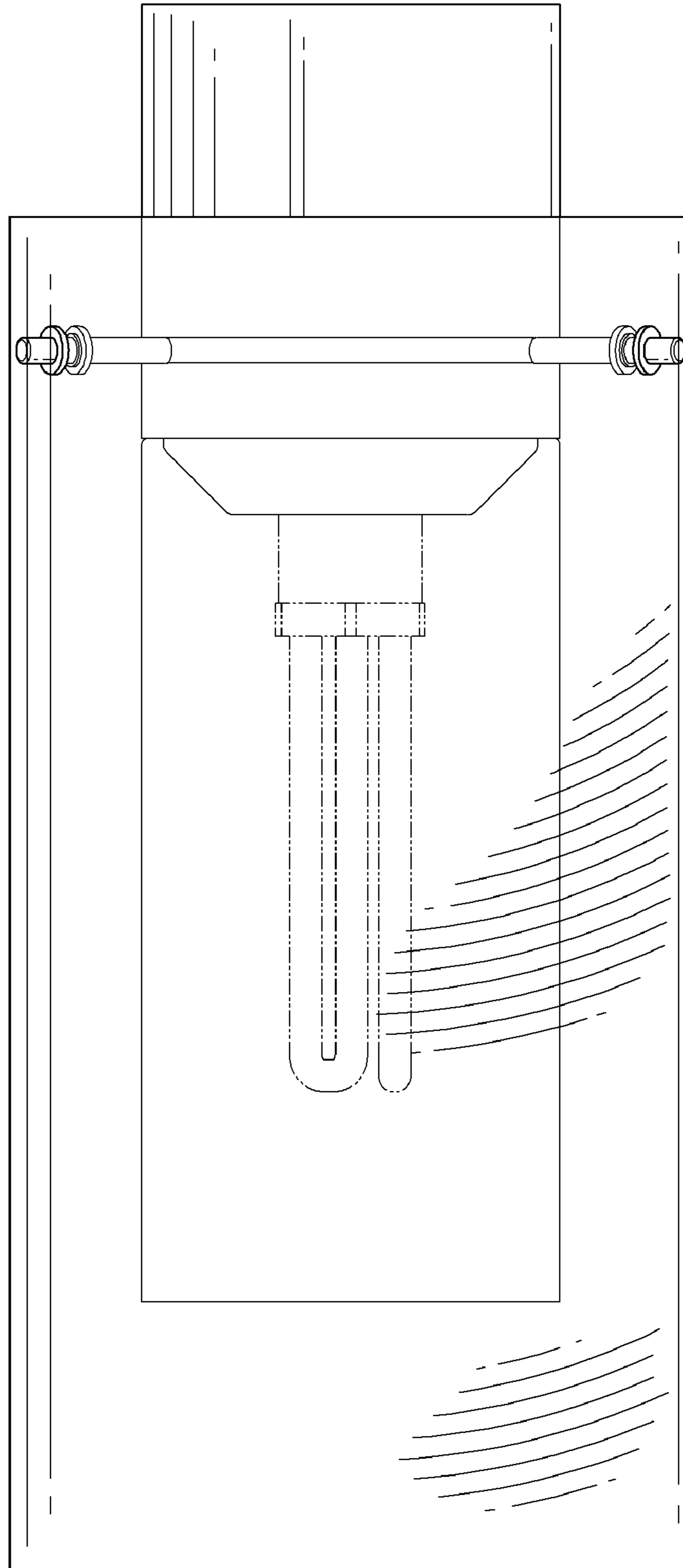


FIG. 3

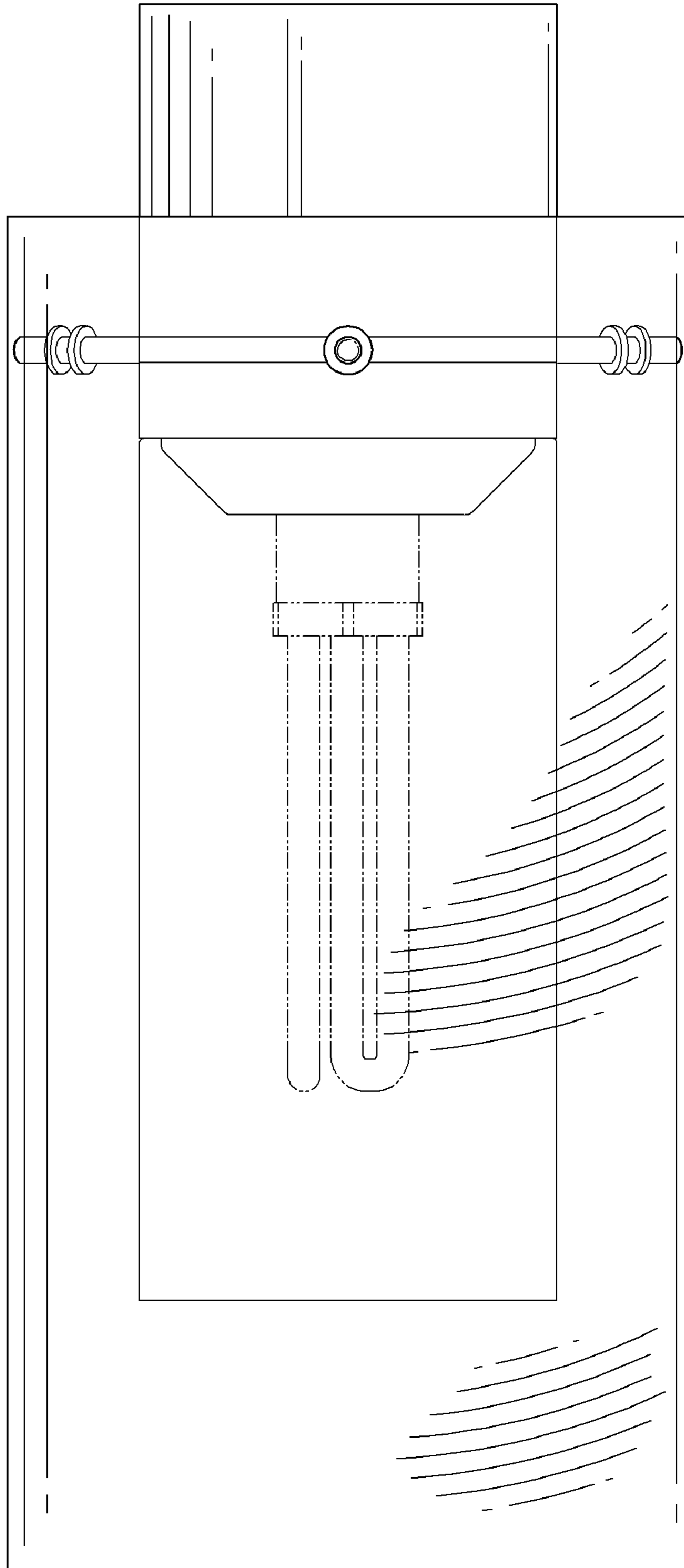


FIG. 4

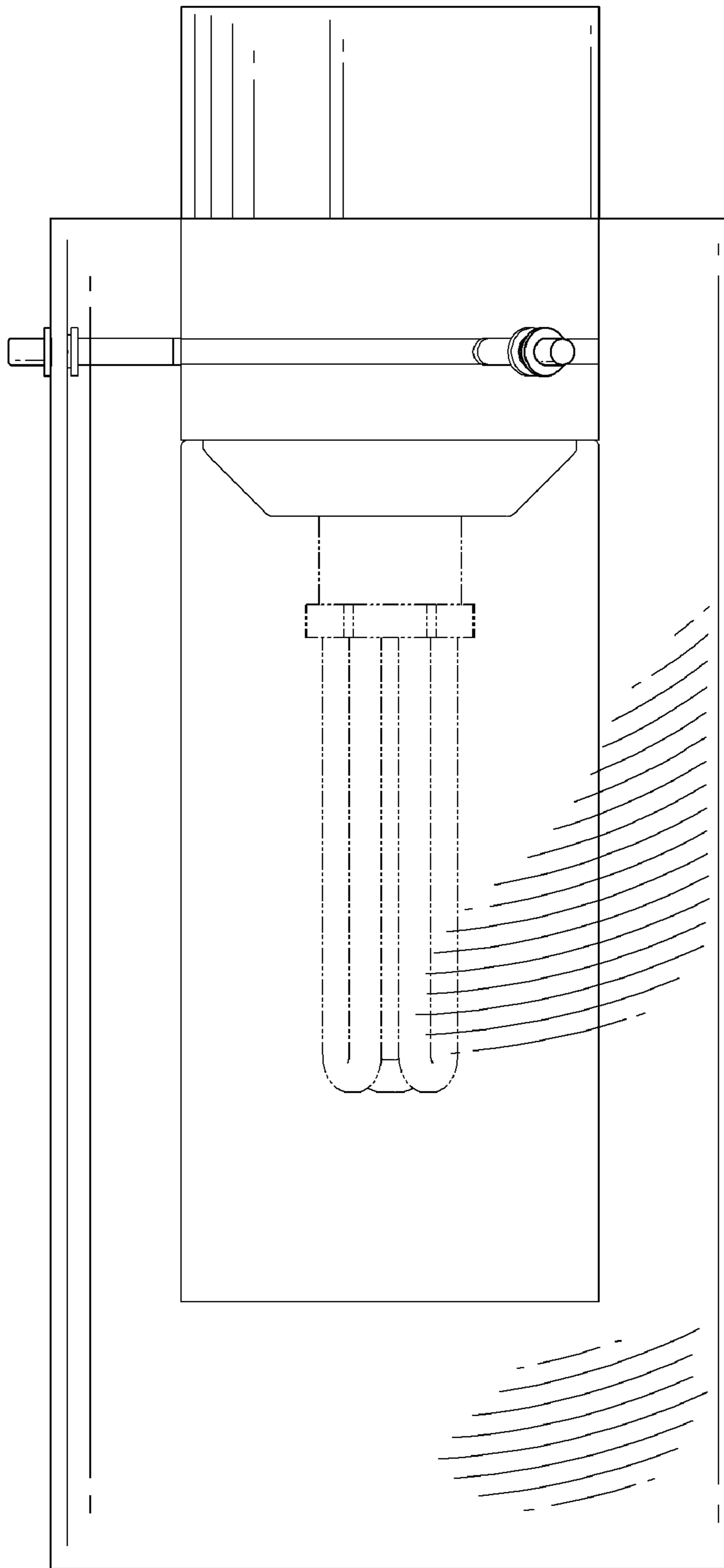


FIG. 5

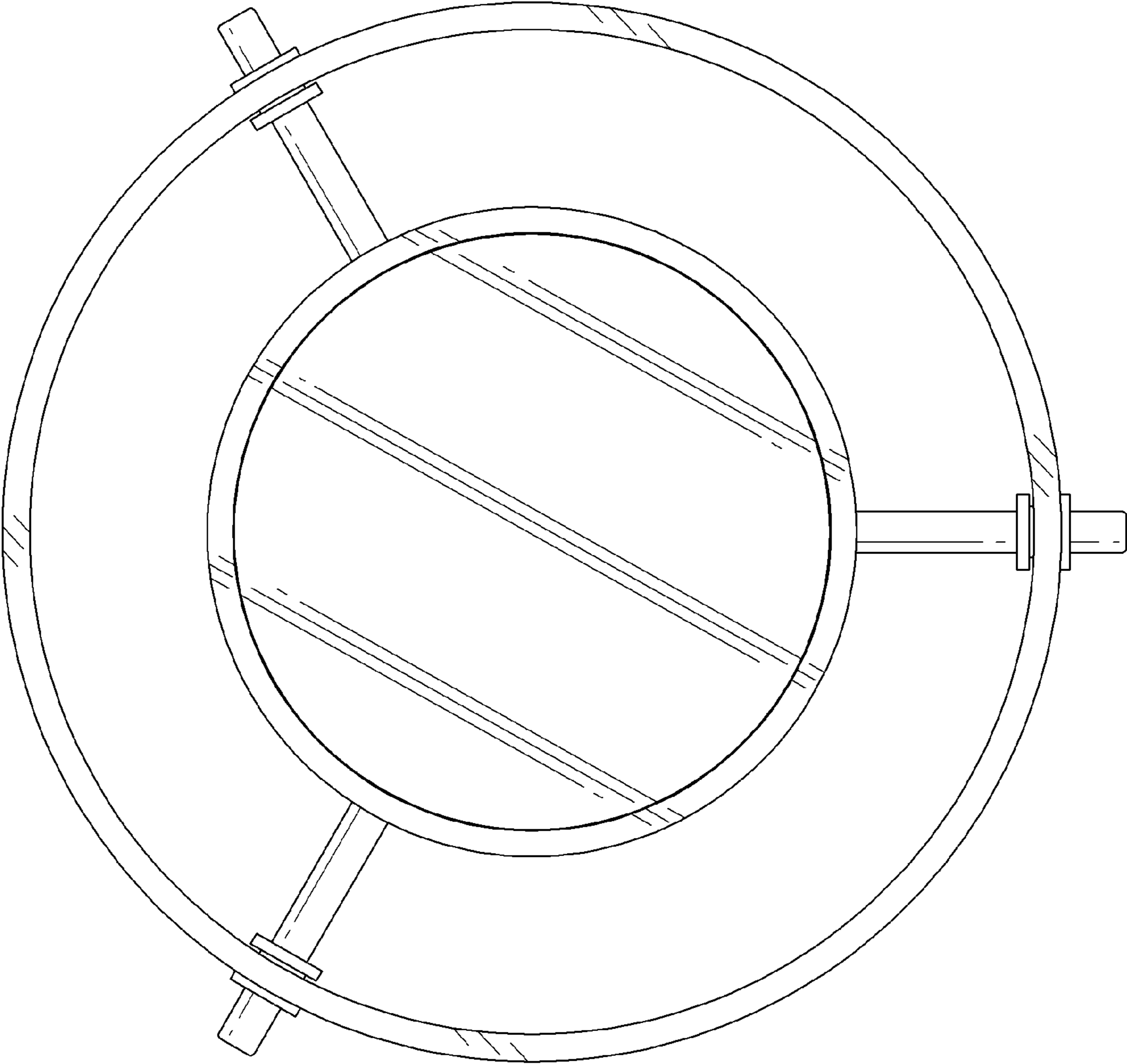


FIG. 6



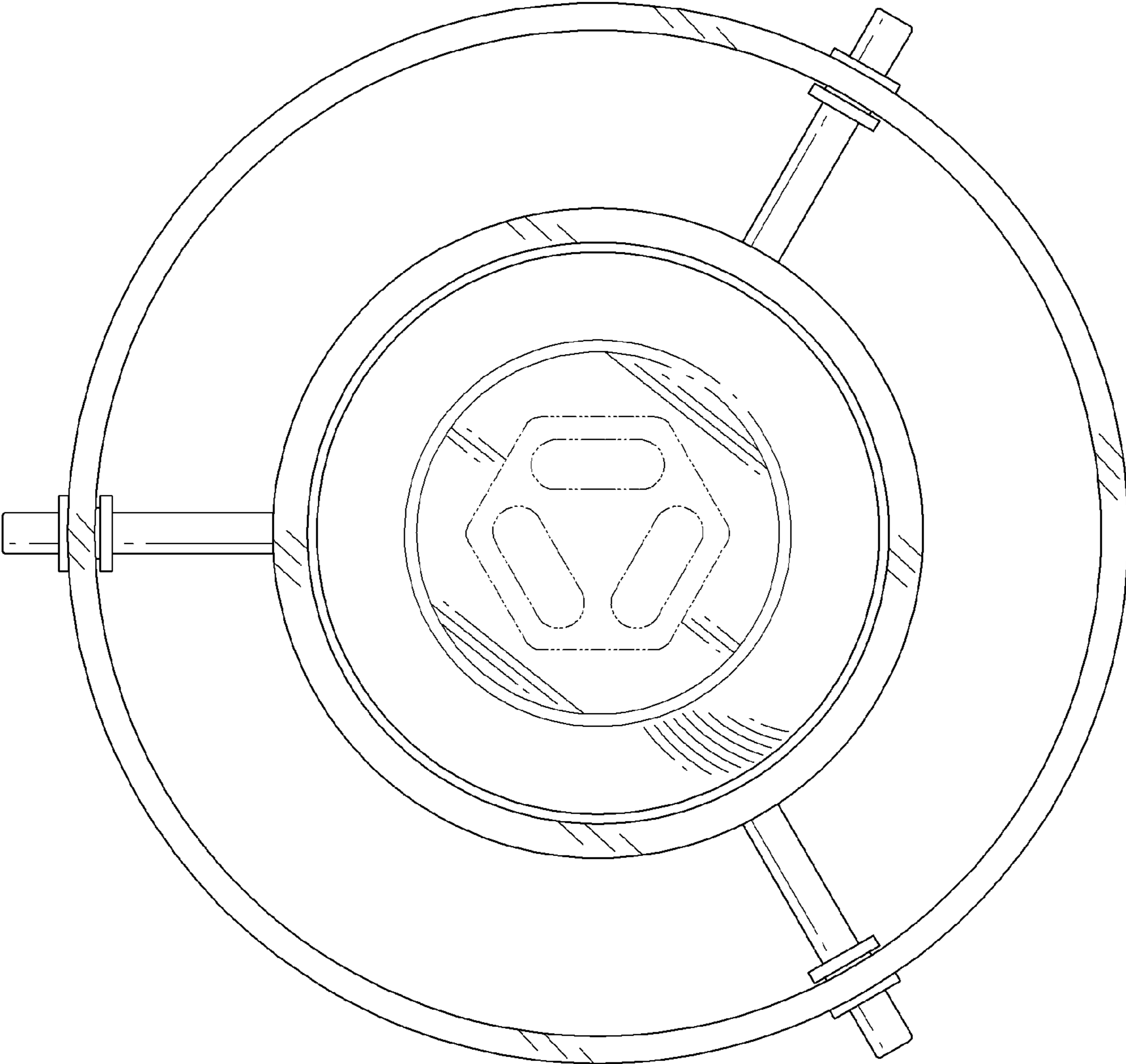


FIG. 7