



US00D563023S

(12) **United States Design Patent** (10) **Patent No.:** **US D563,023 S**
Hetfield et al. (45) **Date of Patent:** **** Feb. 26, 2008**

(54) **LUMINAIRE**

(75) Inventors: **Margaret L. Hetfield**, Bristol, RI (US); **James Neeld**, Tiverton, RI (US); **Paul Shapiro**, Riverside, RI (US); **Richard Meyer**, Providence, RI (US)

(73) Assignee: **Genlyte Thomas Group, LLC**,
Louisville, KY (US)

(**) Term: **14 Years**

(21) Appl. No.: **29/276,237**

(22) Filed: **Jan. 19, 2007**

(51) **LOC (8) Cl.** **26-05**

(52) **U.S. Cl.** **D26/72; D26/88**

(58) **Field of Classification Search** D26/72,
D26/75, 79, 84, 85, 86, 88, 90, 91; 362/147,
362/404-408, 432

See application file for complete search history.

(56) **References Cited**

U.S. PATENT DOCUMENTS

2,618,676	A	11/1952	Howard	
3,258,239	A *	6/1966	Green	248/342
D226,973	S *	5/1973	Monte	D26/75
D227,499	S *	6/1973	Monte	D26/75
D227,593	S *	7/1973	Monte	D26/75
4,344,112	A *	8/1982	Brown	362/96
D295,329	S	4/1988	Roos et al.	
5,134,554	A *	7/1992	Donato et al.	362/651
D332,502	S	1/1993	Roos	
D400,287	S *	10/1998	Littman et al.	D26/88
7,249,871	B2 *	7/2007	Chen	362/407

OTHER PUBLICATIONS

Mini Morgan Pendant #F5536-36 from Forecast Lighting. Found online at LBCLighting.com on Sep. 20, 2007.*

Combi Pendant #3881 from Prima Lighting. Found online at LBCLighting.com on Sep. 20, 2007.*

GiGi Cable Suspended Pendant #50514 from Access Lighting. Found online at LBCLighting.com on Sep. 20, 2007.*

Konic Pendant Shade #G711 from WAC Lighting. Found online at LBCLighting.com on Sep. 20, 2007.*

* cited by examiner

Primary Examiner—Clare E Heflin

(74) *Attorney, Agent, or Firm*—John F. Salazar; Middleton Reutlinger

(57) **CLAIM**

The ornamental design for a luminaire, as shown and described.

DESCRIPTION

FIG. 1 is an upper perspective view of the luminaire of the present invention;

FIG. 2 is a left side view of the design of the present invention;

FIG. 3 is a front view of the design of the present invention;

FIG. 4 is a right side view of the design of the present invention;

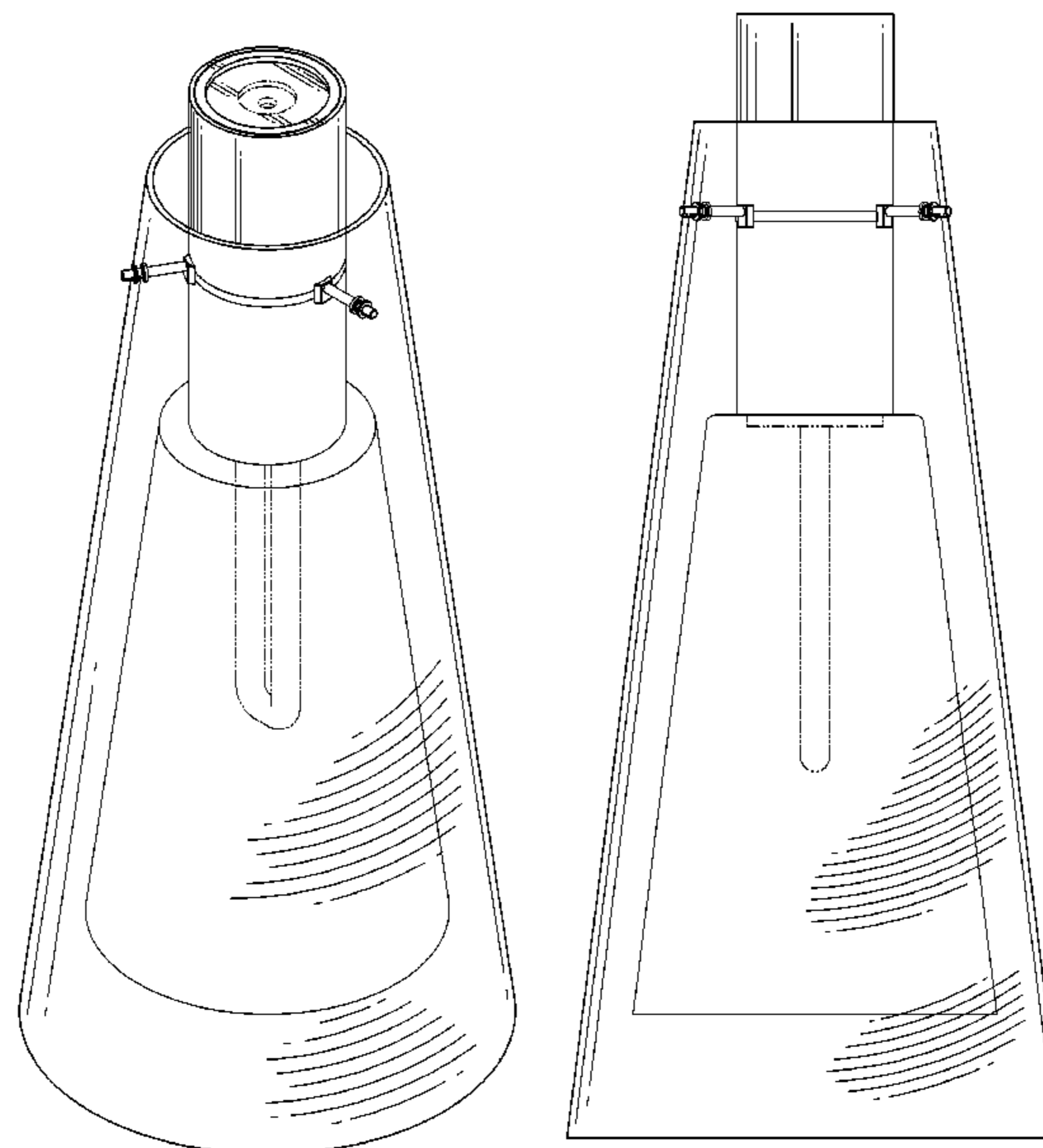
FIG. 5 is a rear view of the design of the present invention;

FIG. 6 is a top view of the design of the present invention; and,

FIG. 7 is a bottom view of the design of the present invention.

The broken lines showing environmental structure are for illustrative purposes only and form no part of the claimed design.

1 Claim, 7 Drawing Sheets



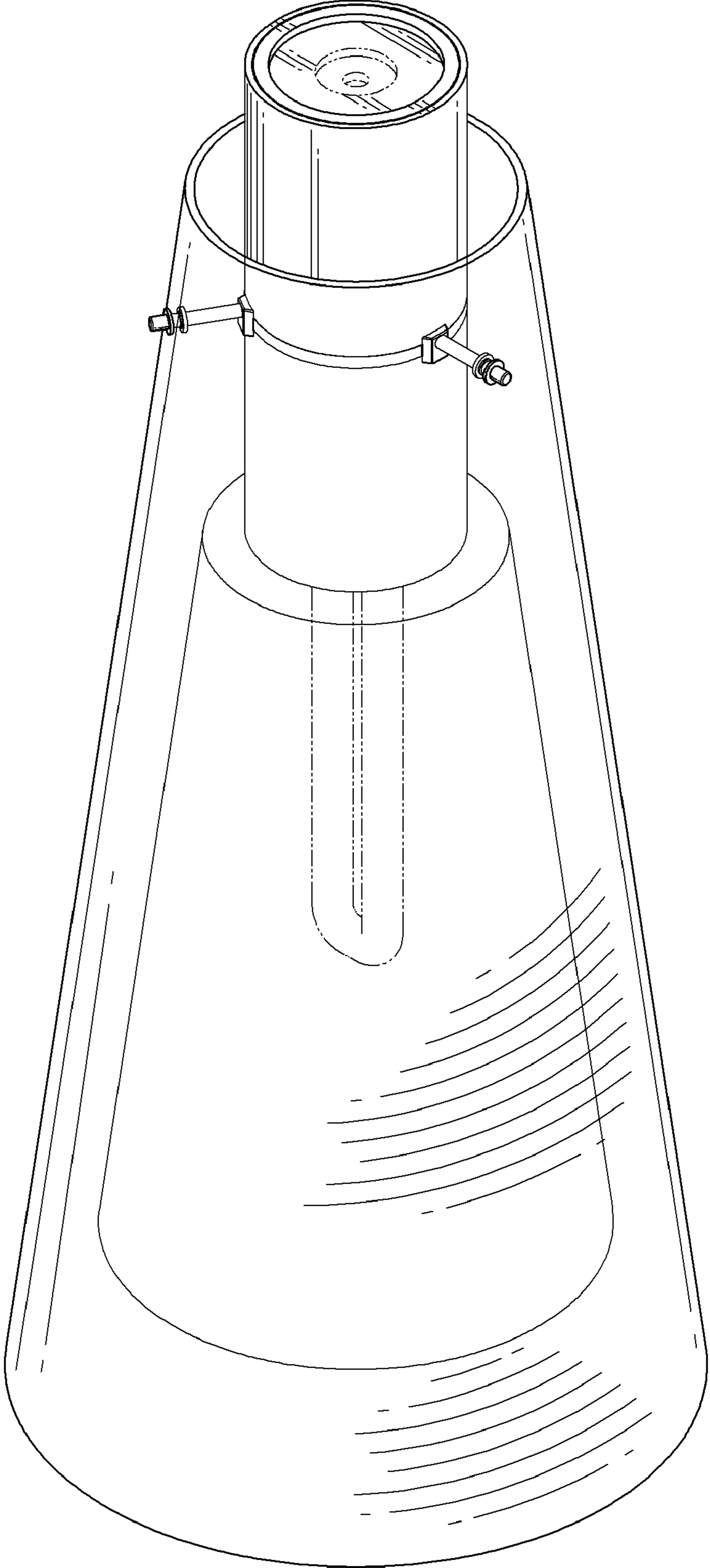


FIG. 1

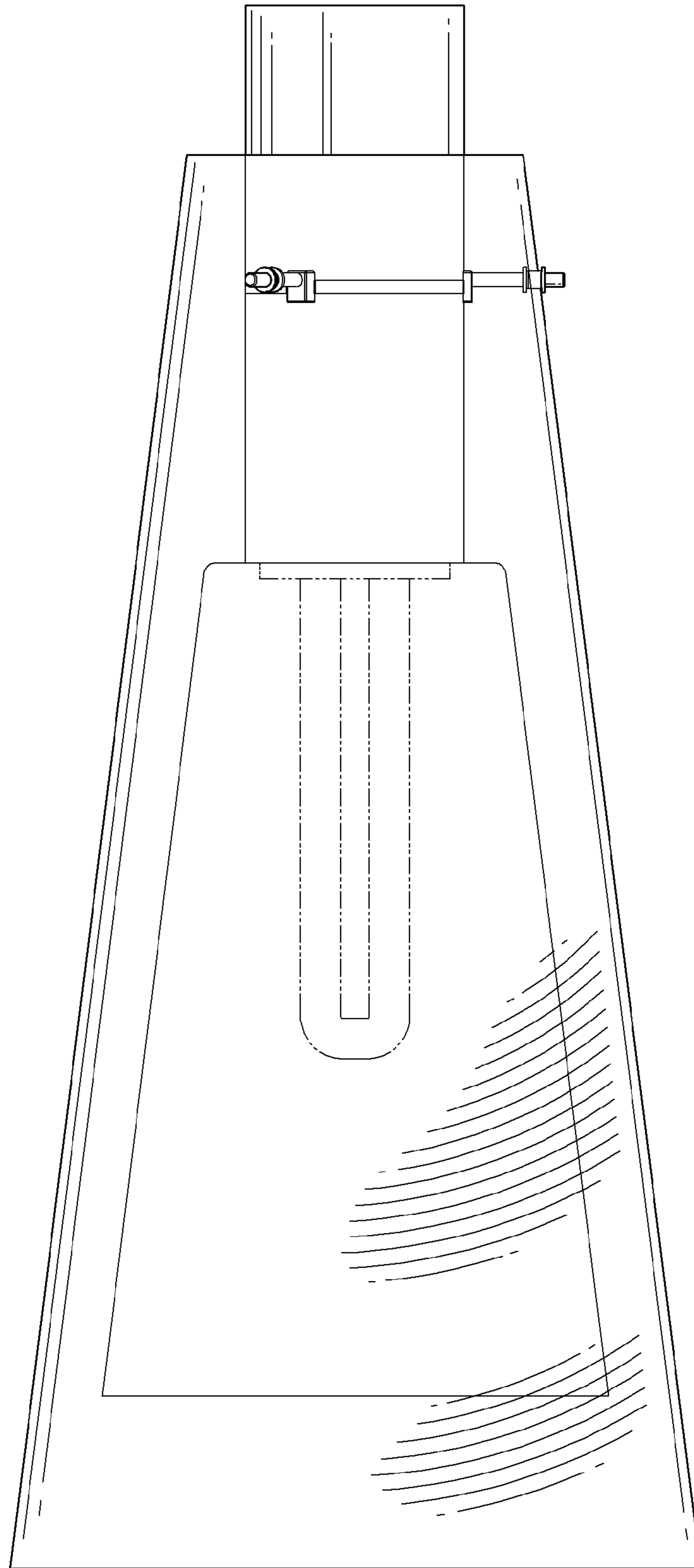


FIG. 2

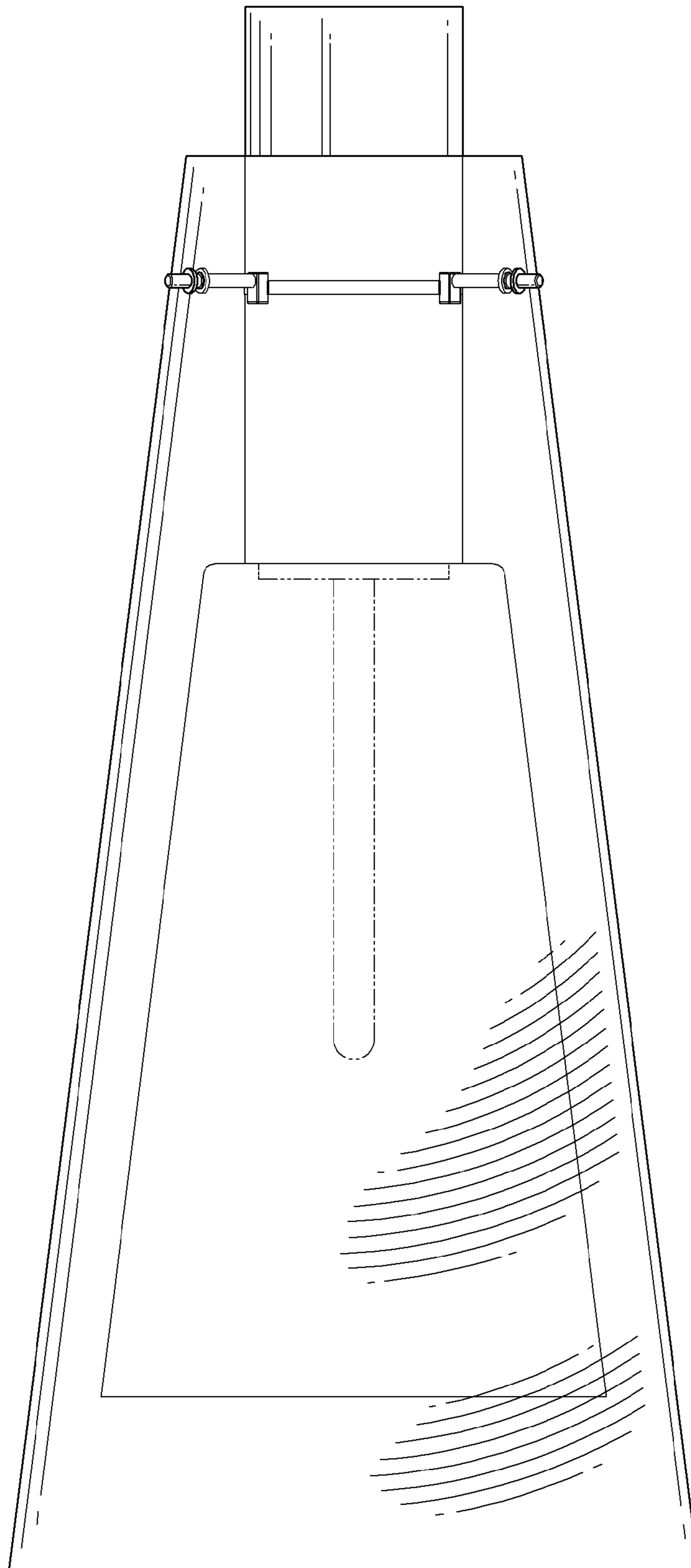


FIG. 3

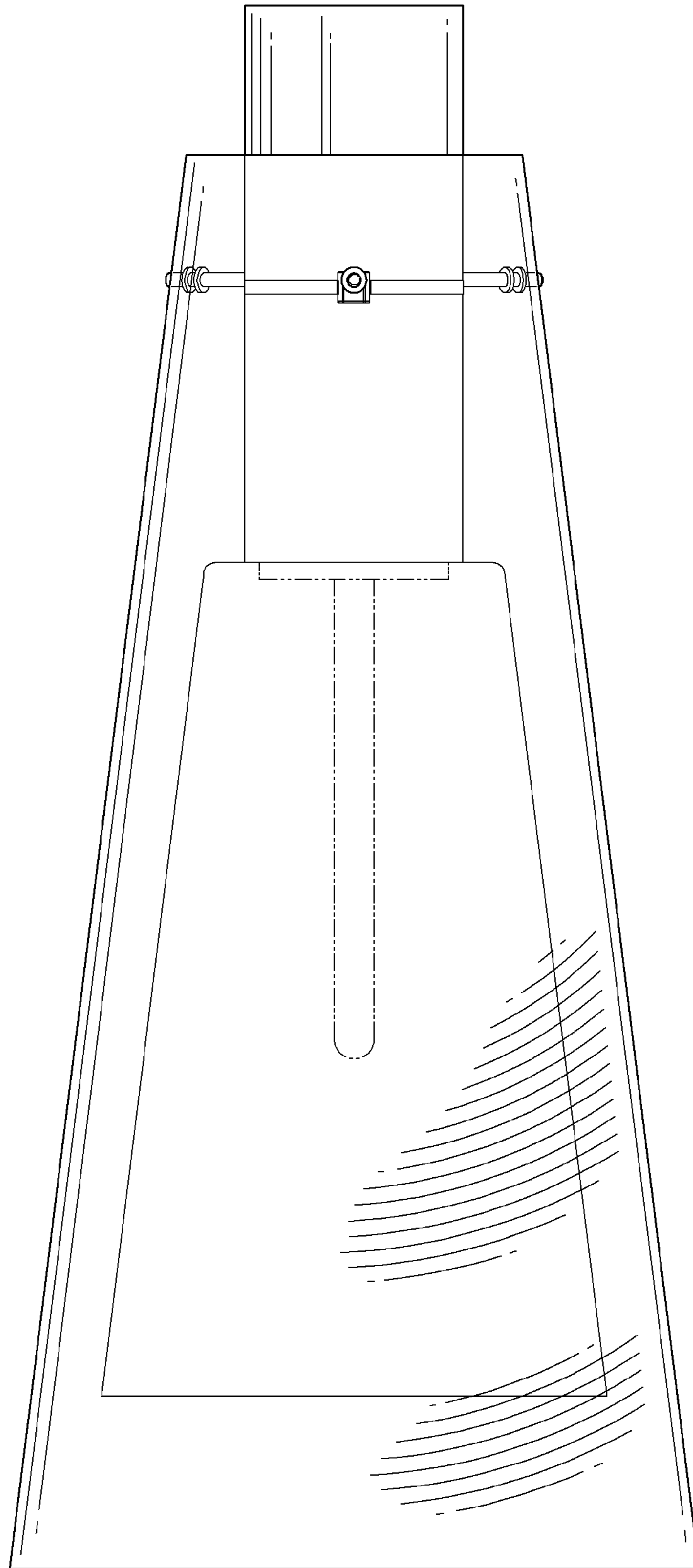


FIG. 4

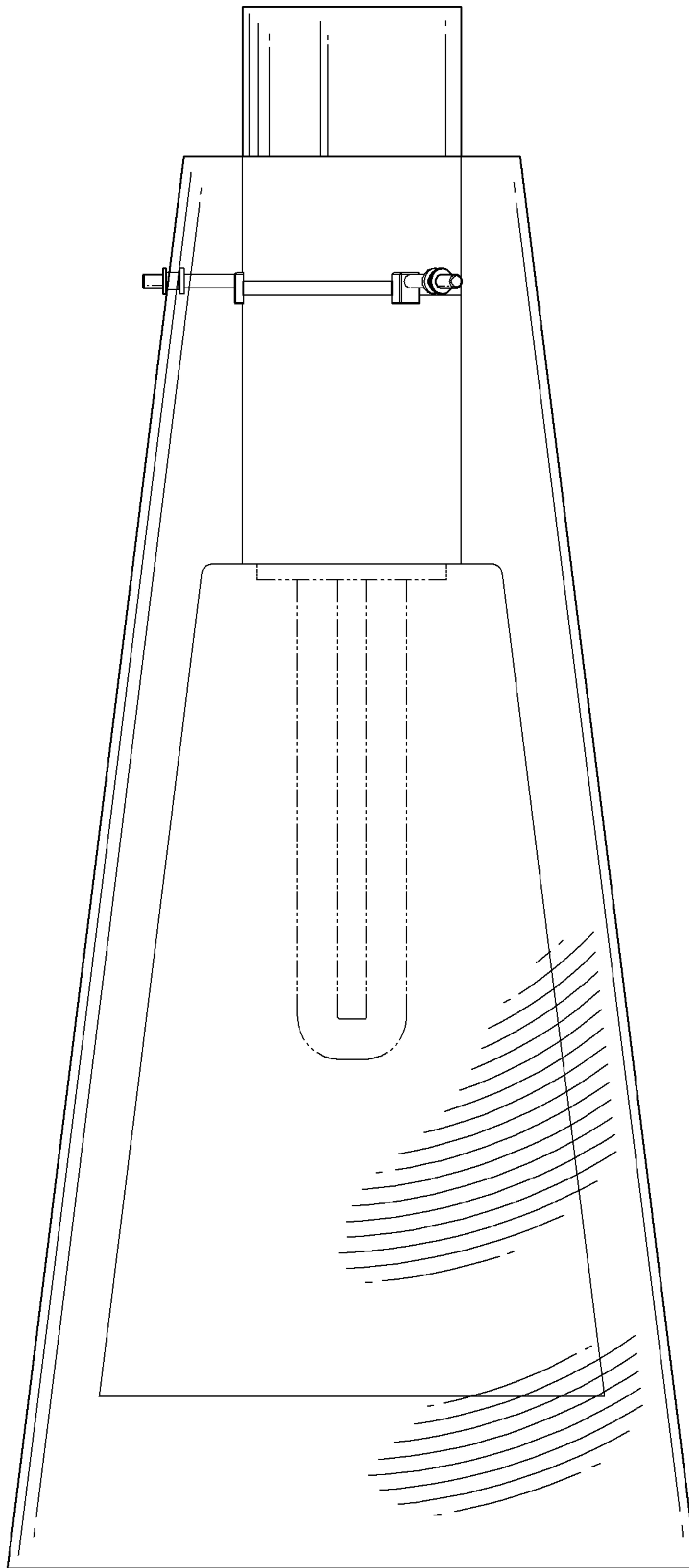


FIG. 5

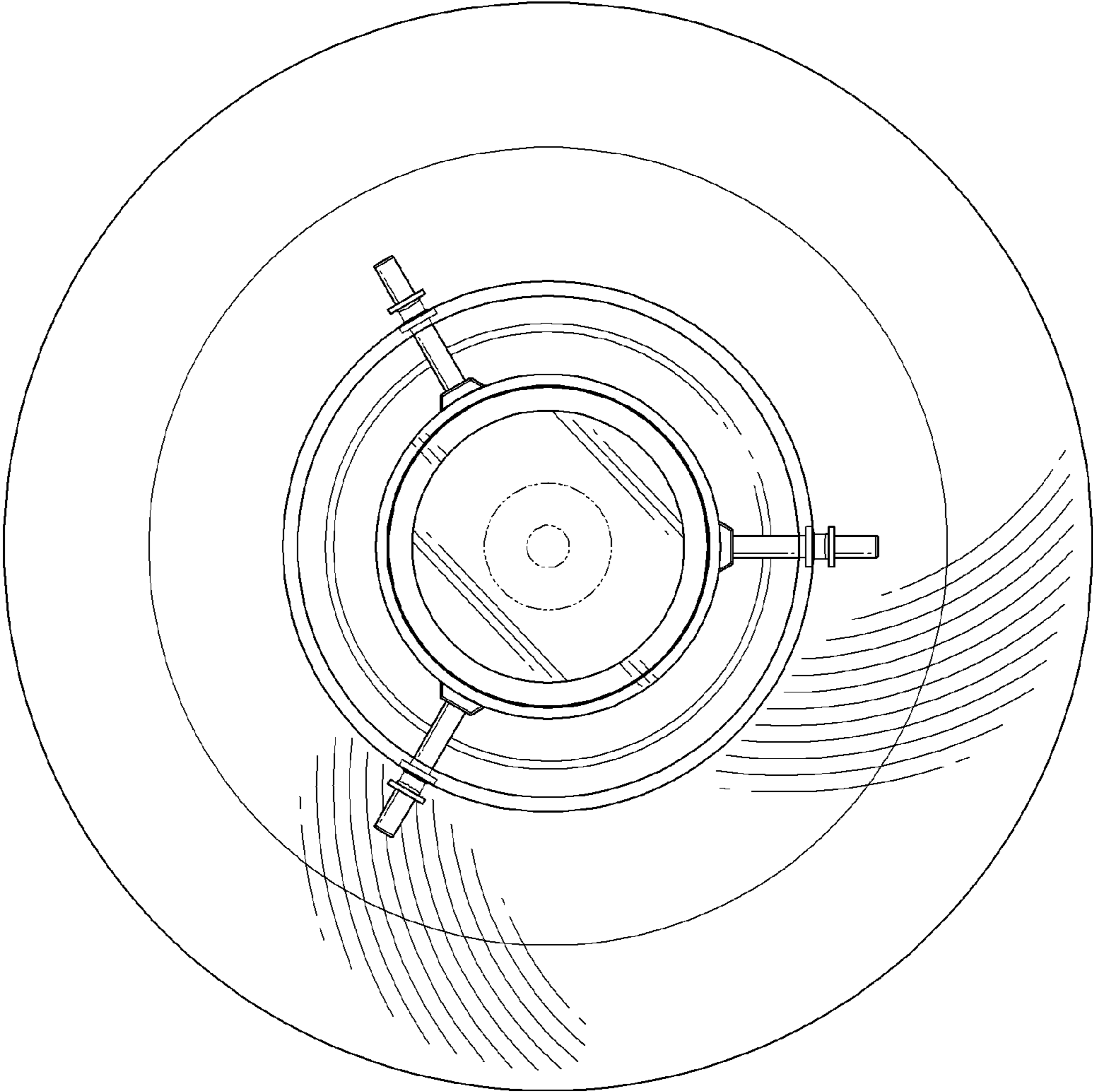


FIG. 6

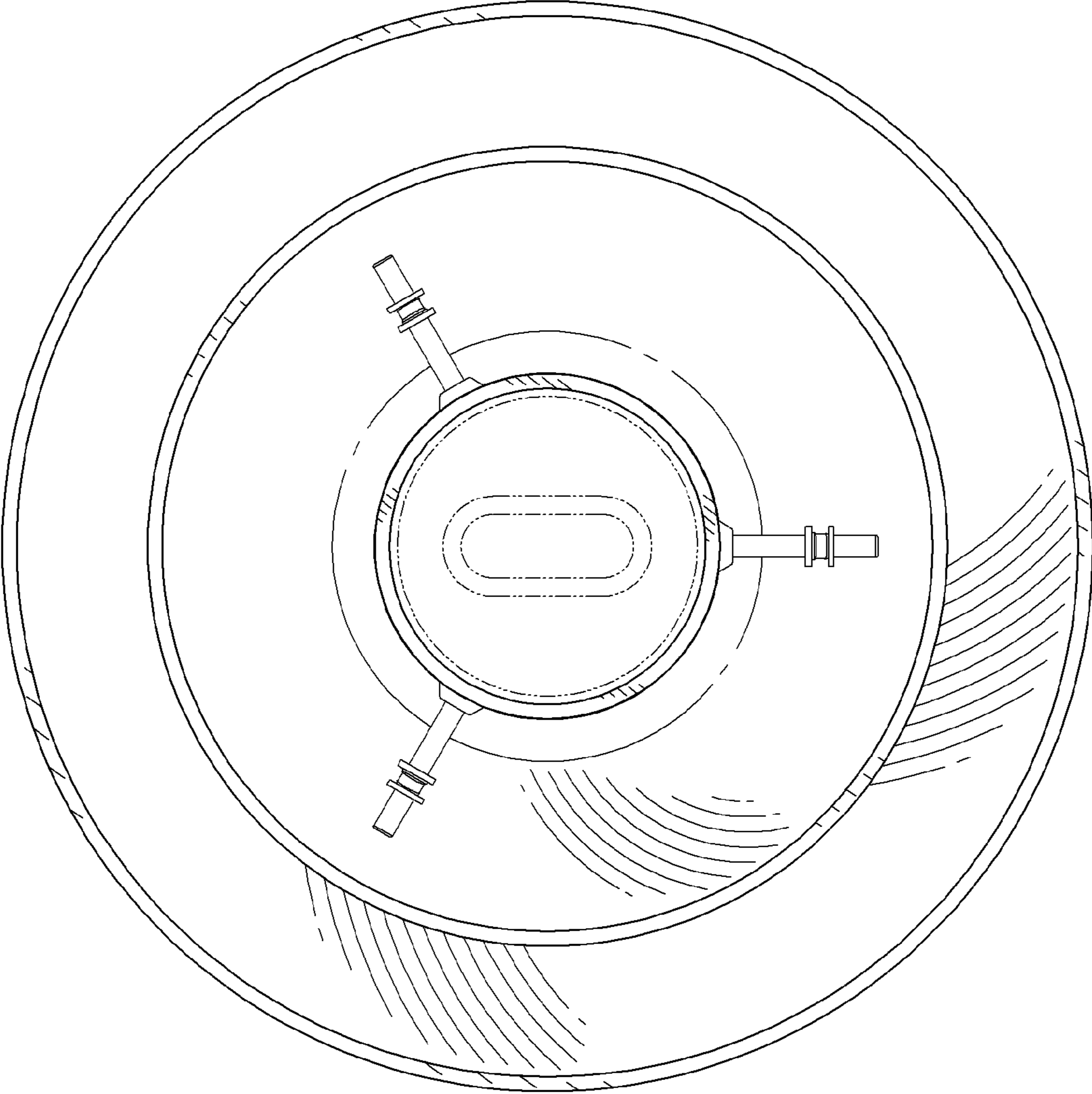


FIG. 7