



US00D563020S

(12) **United States Design Patent**
Campagna

(10) **Patent No.:** **US D563,020 S**

(45) **Date of Patent:** **** Feb. 26, 2008**

(54) **LIGHT FIXTURE**

(75) Inventor: **Cary Campagna**, Portage, MI (US)

(73) Assignee: **Command Electronics, Inc.**,
Schoolcraft, MI (US)

(**) Term: **14 Years**

(21) Appl. No.: **29/259,511**

(22) Filed: **May 10, 2006**

(51) **LOC (8) Cl.** **26-05**

(52) **U.S. Cl.** **D26/72**

(58) **Field of Classification Search** D10/104-121;
D26/72, 85, 123, 152; 362/40, 414, 431,
362/253, 806

See application file for complete search history.

(56) **References Cited**

U.S. PATENT DOCUMENTS

D198,810 S *	8/1964	Rice	D26/67
3,167,258 A *	1/1965	Wilde	362/220
D360,270 S *	7/1995	Shemitz	D26/74
D384,433 S *	9/1997	Littman	D26/85
D404,165 S *	1/1999	Vakil	D26/85
D441,901 S *	5/2001	Neustadt	D26/87
D444,586 S *	7/2001	Waters et al.	D26/72
D475,154 S *	5/2003	Binsukor	D26/72

D525,386 S *	7/2006	McCarthy, III	D26/85
D526,082 S *	8/2006	McCarthy, III	D26/85
D527,135 S *	8/2006	McCarthy, III	D26/85
D527,483 S *	8/2006	McCarthy, III	D26/85

* cited by examiner

Primary Examiner—Clare E Heflin

Assistant Examiner—Barbara Fox

(74) *Attorney, Agent, or Firm*—Flynn, Thiel, Boutell &
Tanis, P.C.

(57) **CLAIM**

The ornamental design for a light fixture, as shown and described.

DESCRIPTION

FIG. 1 is a perspective view of the light fixture embodying my new design;

FIG. 2 is a front view thereof;

FIG. 3 is a rear view thereof;

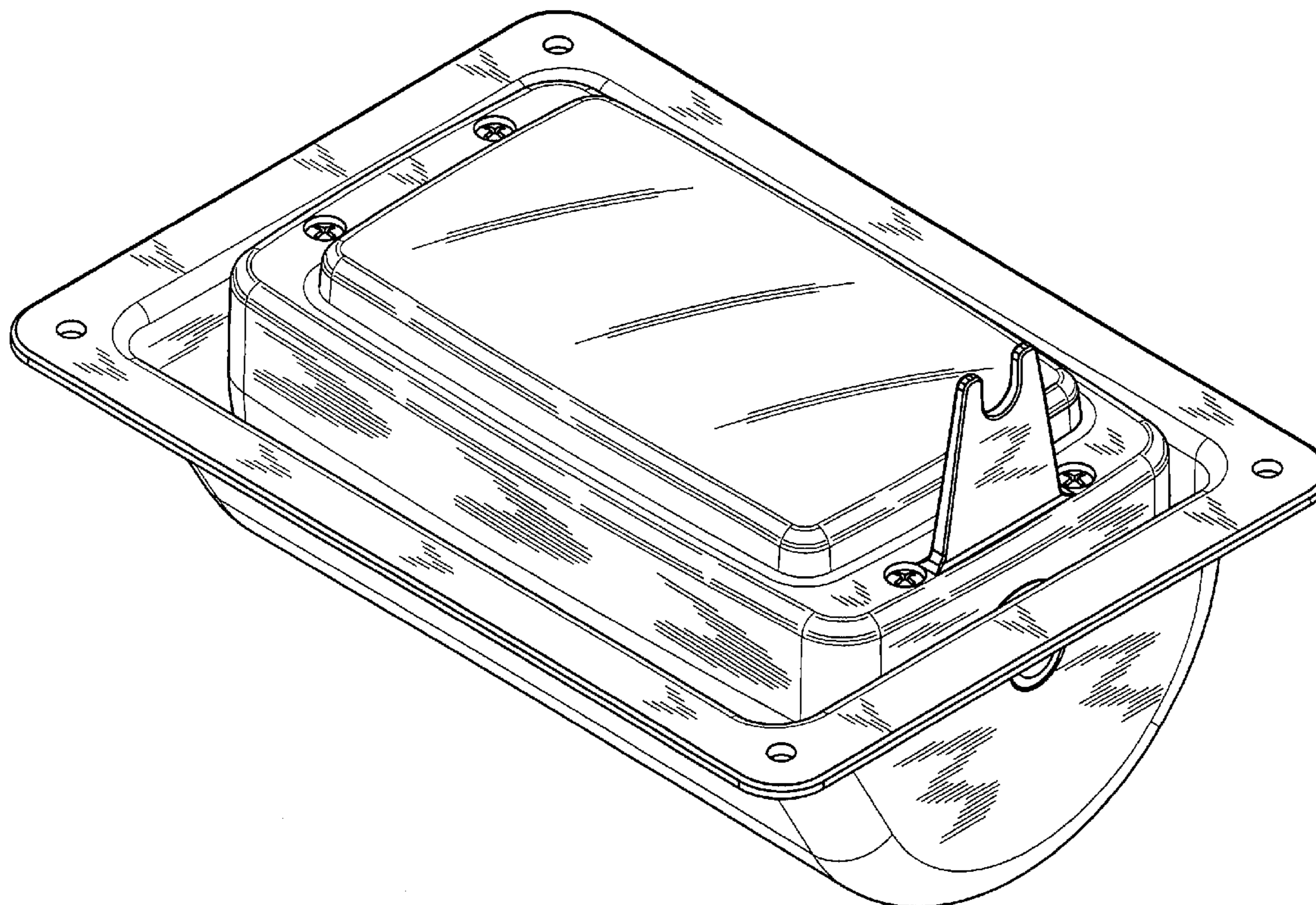
FIG. 4 is a top view thereof;

FIG. 5 is a bottom view thereof;

FIG. 6 is a left side view thereof; and,

FIG. 7 is a right side view thereof.

1 Claim, 6 Drawing Sheets



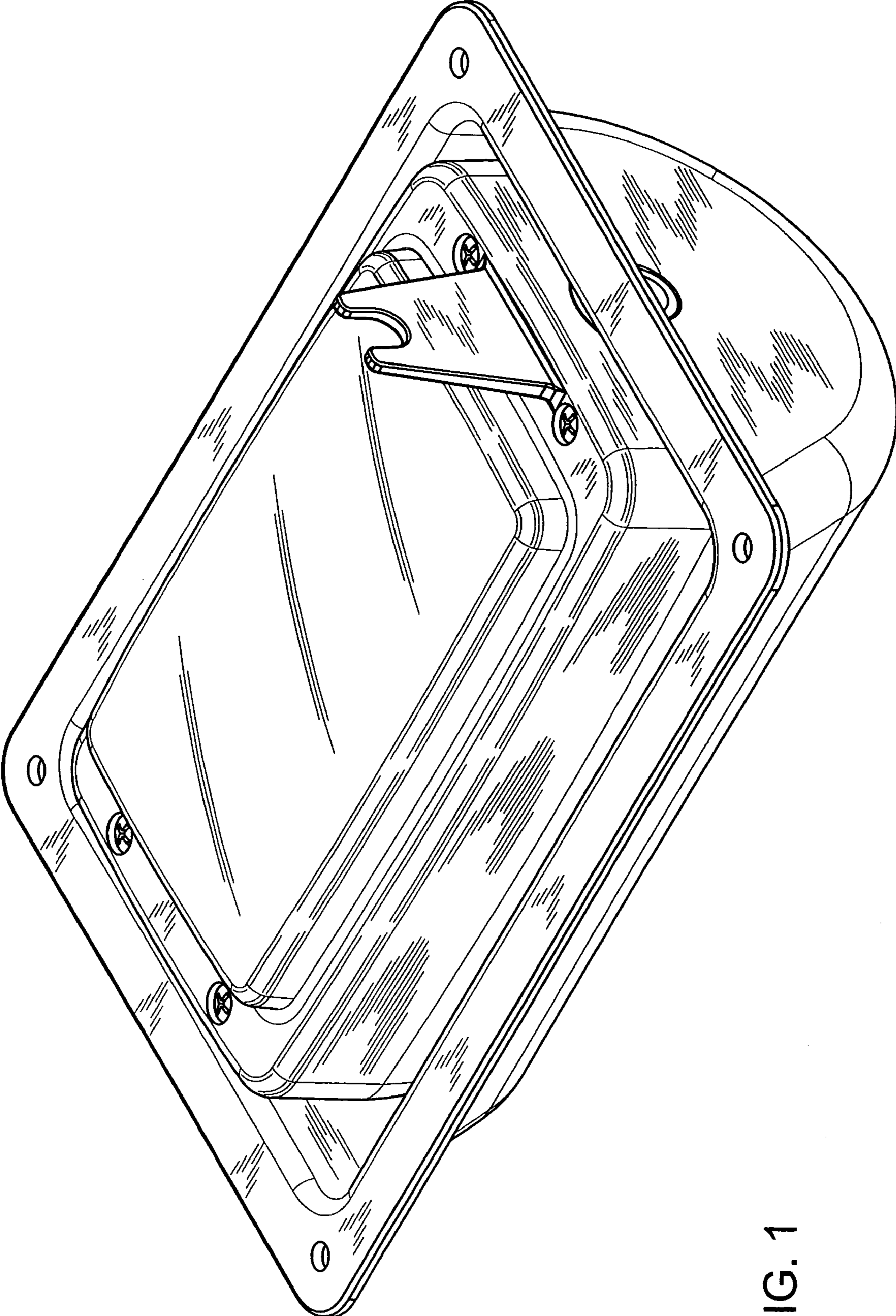


FIG. 1

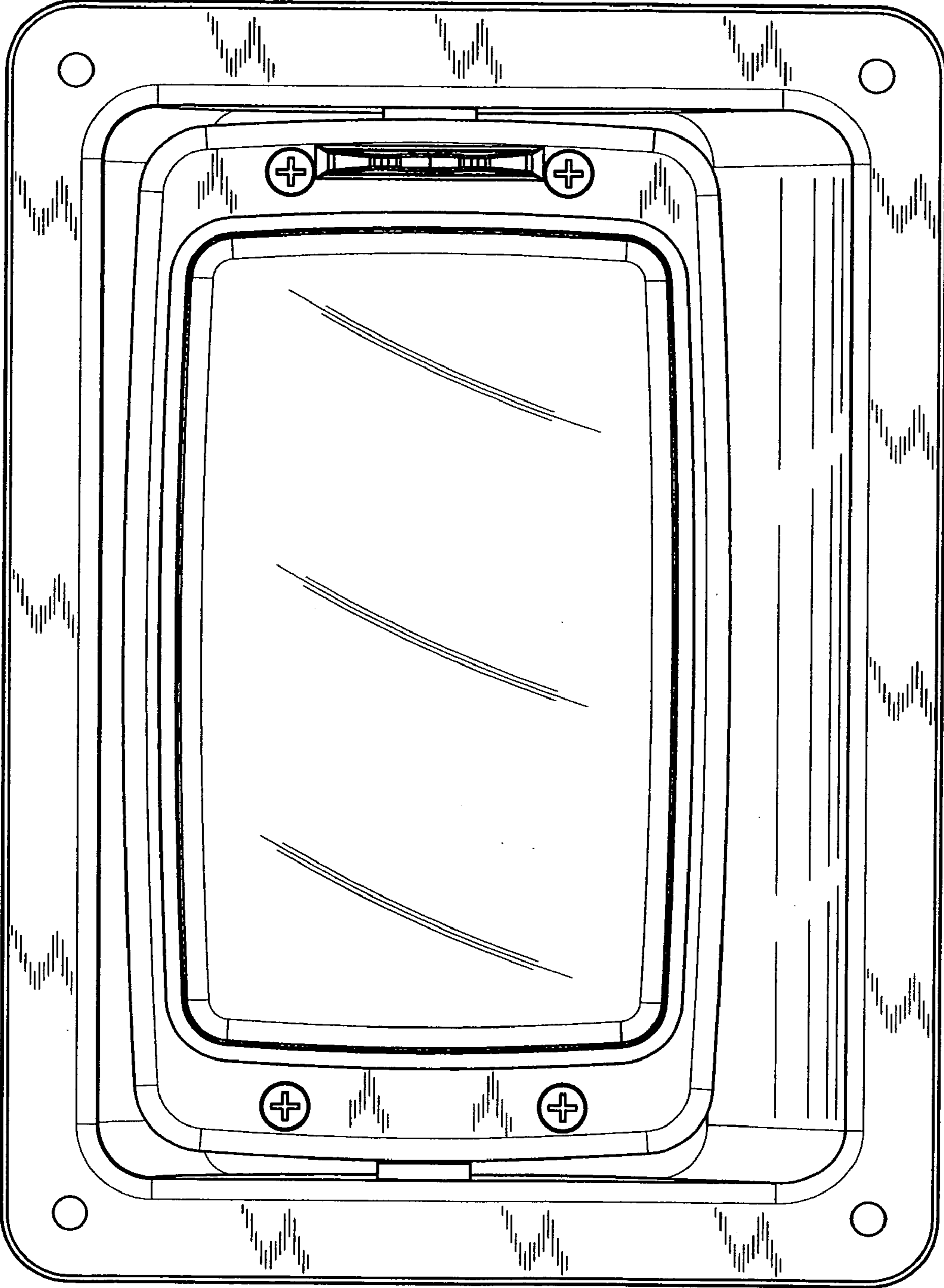


FIG. 2

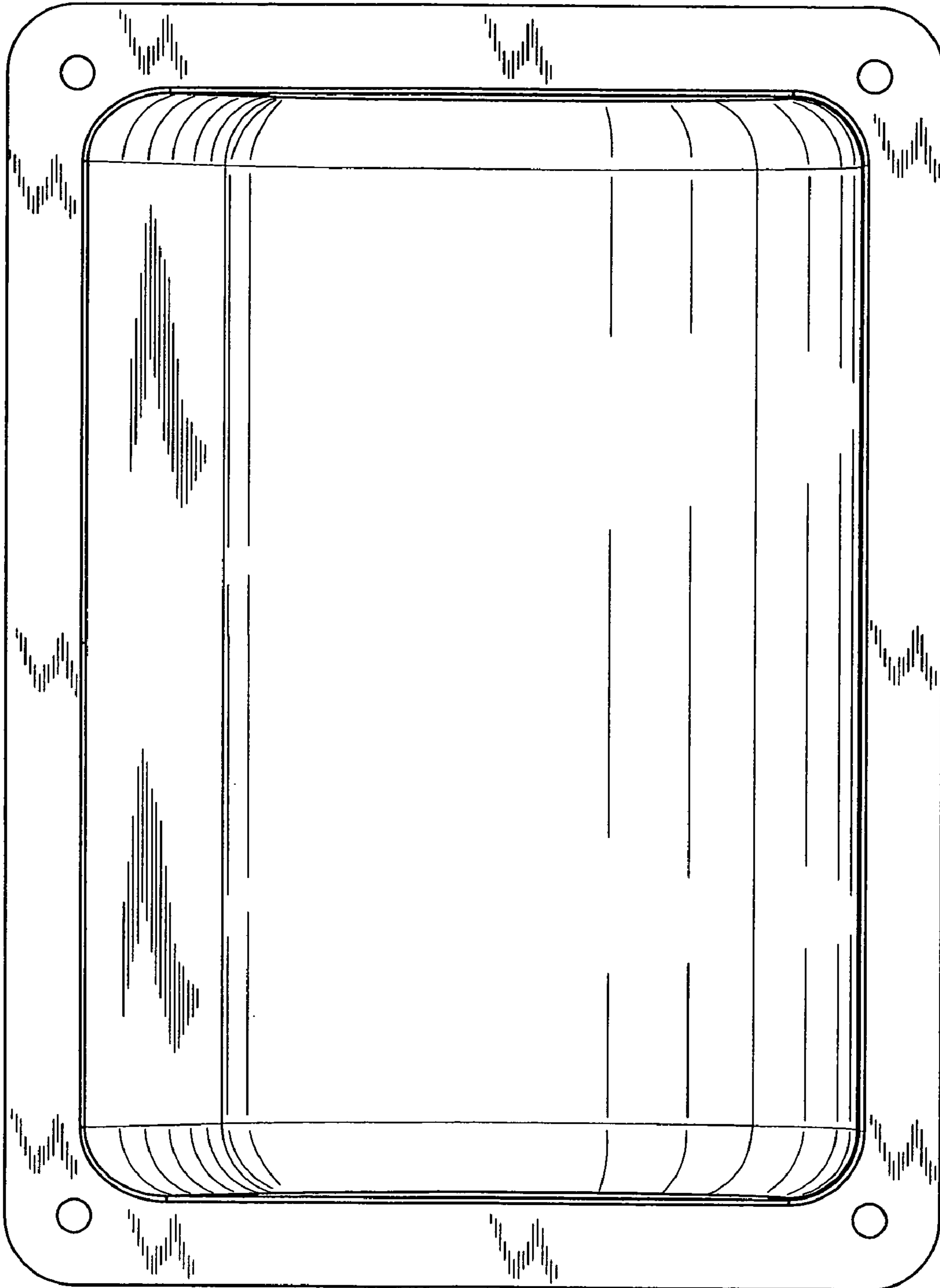


FIG. 3

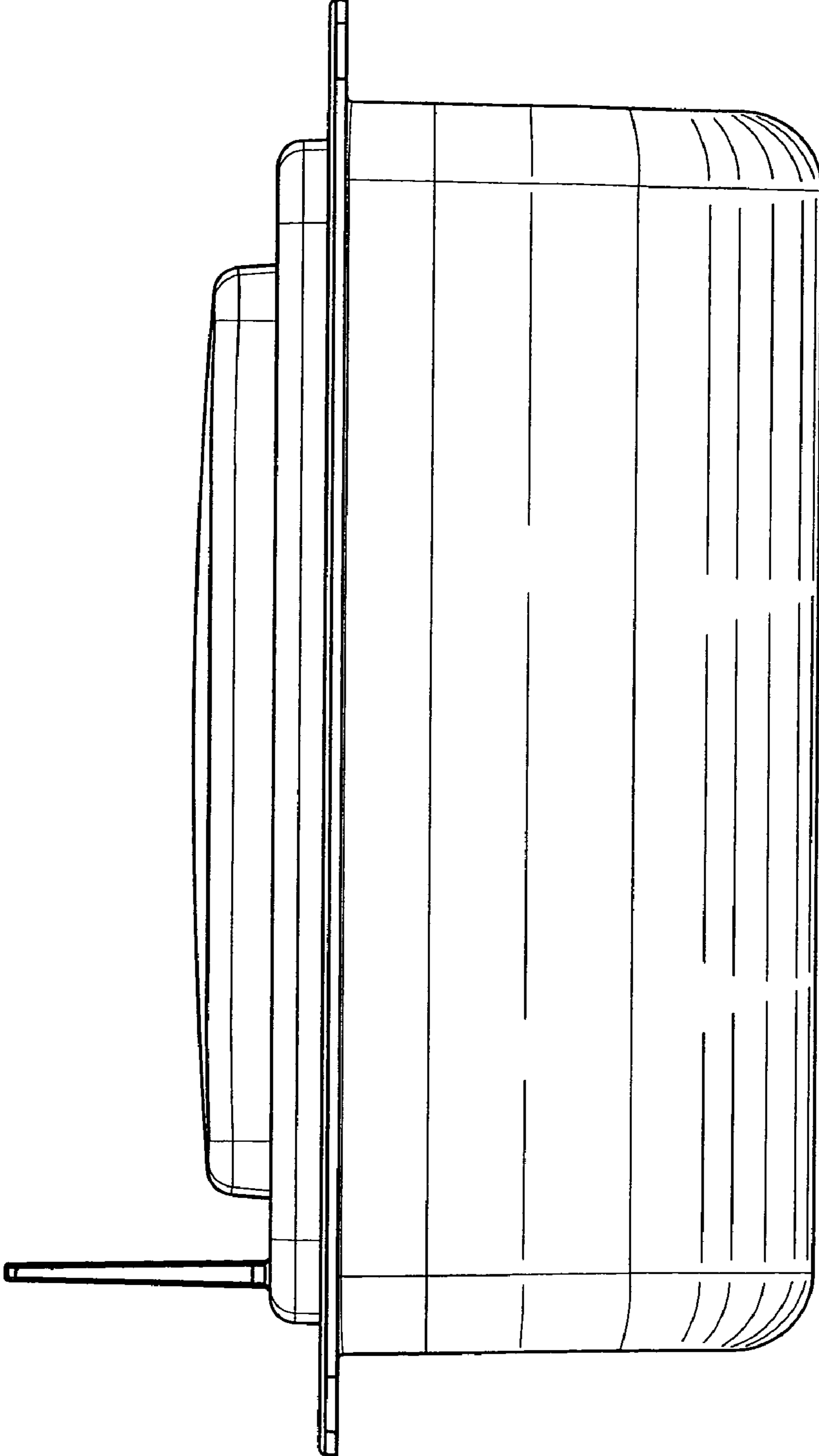


FIG. 4

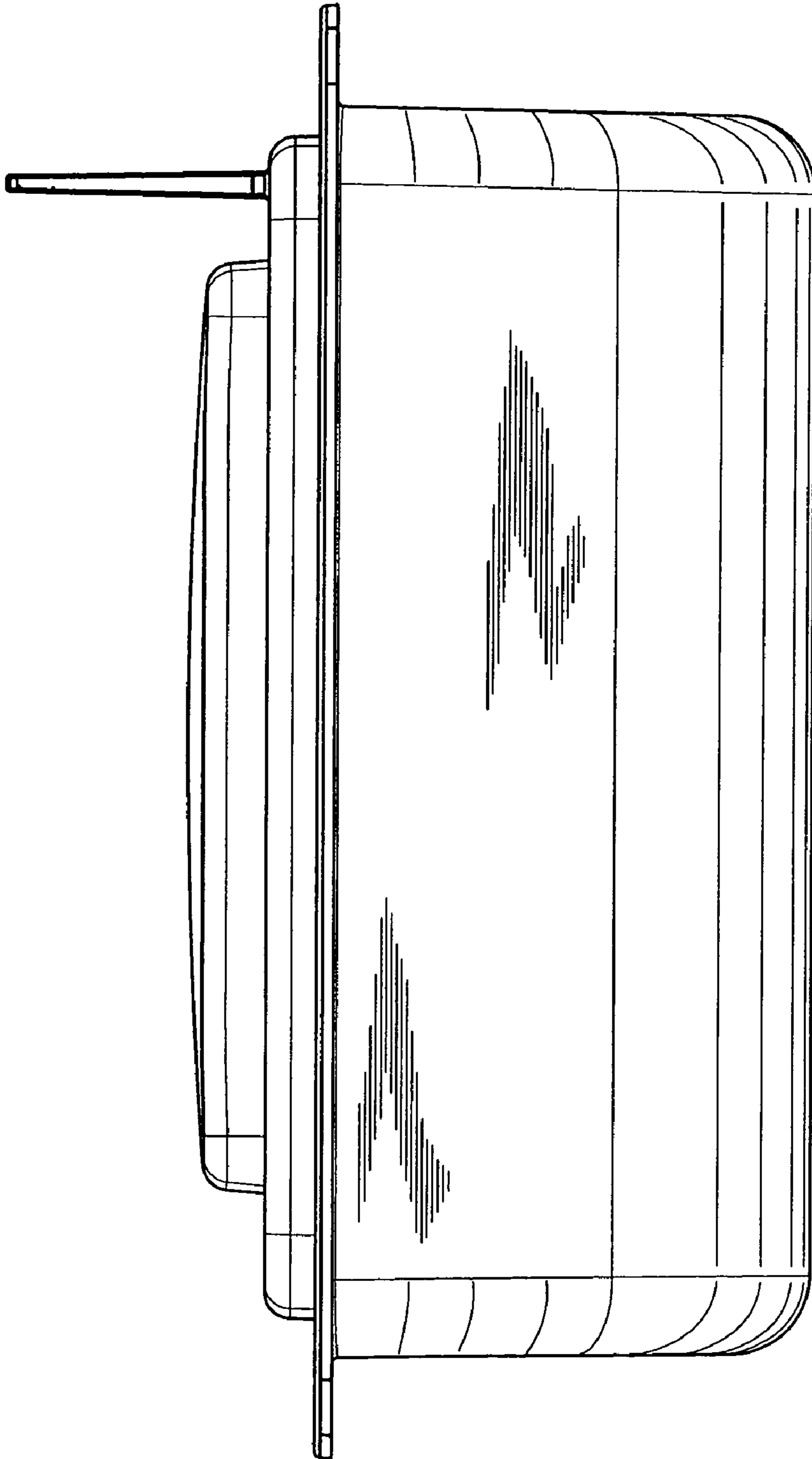


FIG. 5

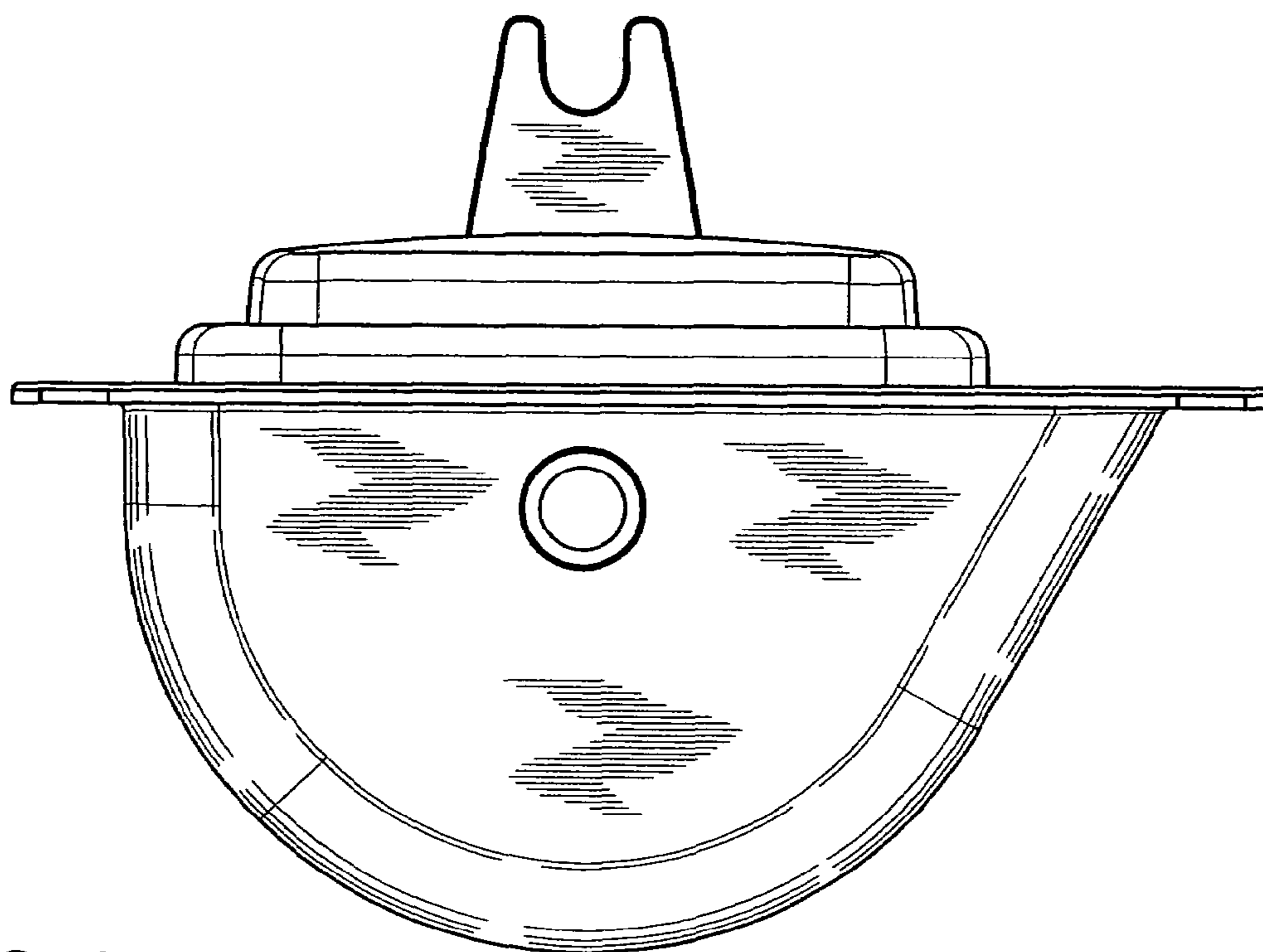


FIG. 6

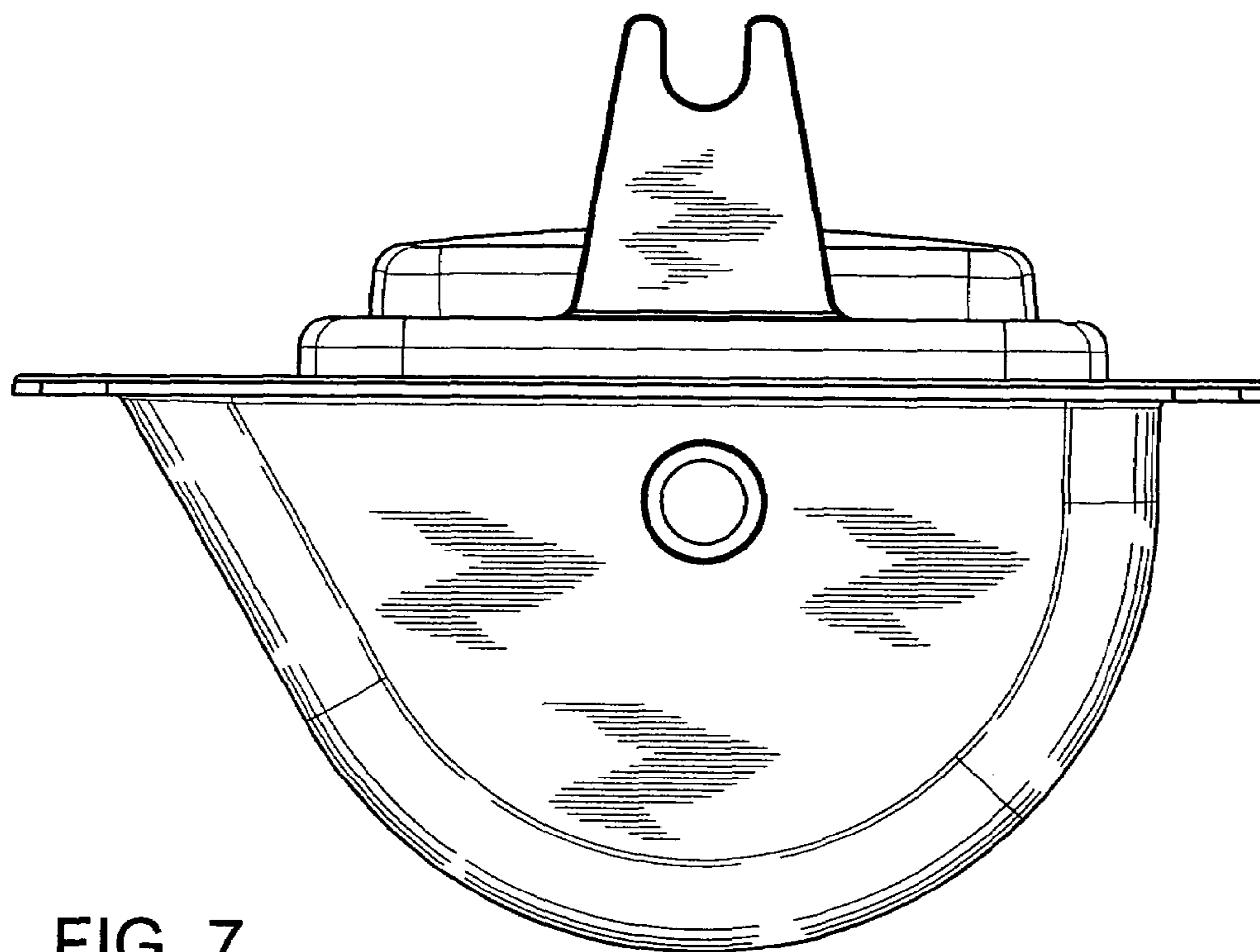


FIG. 7