



US00D563019S

(12) **United States Design Patent**  
**Pfund**

(10) **Patent No.: US D563,019 S**

(45) **Date of Patent: \*\* Feb. 26, 2008**

(54) **WORKSTATION LUMINAIRE**

(75) Inventor: **David Pfund**, Woodbridge, CT (US)

(73) Assignee: **Sylvan R. Shemitz Designs, Inc.**, West Haven, CT (US)

(\*\*) Term: **14 Years**

(21) Appl. No.: **29/242,094**

(22) Filed: **Nov. 4, 2005**

(51) **LOC (8) Cl. .... 26-05**

(52) **U.S. Cl. .... D26/72; D26/142**

(58) **Field of Classification Search** ..... D26/72,  
D26/74-79, 67, 77; 362/217-225, 283, 147,  
362/363; D25/42-43, 126-127, 153, 199  
See application file for complete search history.

(56) **References Cited**

**U.S. PATENT DOCUMENTS**

2,345,235	A *	3/1944	Carter, Jr. ....	362/140
2,506,951	A *	5/1950	Doane .....	362/341
2,826,678	A *	3/1958	Lindsay .....	362/219
D191,628	S *	10/1961	Muller .....	D26/76
3,022,416	A *	2/1962	Roberts .....	362/245
3,131,871	A *	5/1964	Foulds .....	362/146
D205,192	S *	7/1966	Shearin .....	D26/51
3,389,246	A *	6/1968	Shemitz .....	362/147
3,646,340	A *	2/1972	Adam .....	362/223
3,700,877	A *	10/1972	Wilson .....	362/300
3,737,654	A *	6/1973	Hawley .....	362/311
3,997,776	A *	12/1976	Ruud .....	362/127
4,254,449	A *	3/1981	Benasutti et al. ....	362/33
4,255,781	A *	3/1981	Plemmons et al. ....	362/374
4,300,185	A *	11/1981	Wakamatsu .....	362/33
4,323,955	A *	4/1982	Mark .....	362/278
4,351,017	A *	9/1982	Ball .....	362/147
D268,367	S *	3/1983	Paquette et al. ....	D26/76
4,388,676	A *	6/1983	Sato et al. ....	362/260
4,414,609	A *	11/1983	Shemitz .....	362/33
D286,916	S *	11/1986	Worrell .....	D26/72
4,660,131	A *	4/1987	Herst et al. ....	362/223
4,680,677	A *	7/1987	Ross .....	362/33
D295,086	S *	4/1988	Morten .....	D26/76

4,816,969	A *	3/1989	Miller .....	362/130
RE33,471	E *	12/1990	Herst et al. ....	362/223
D313,482	S *	1/1991	Compton .....	D26/69
RE33,593	E *	5/1991	Herst et al. ....	362/223

(Continued)

*Primary Examiner*—Stella M. Reid

*Assistant Examiner*—Susan E Krakower

(74) *Attorney, Agent, or Firm*—Cantor Colburn LLP

(57) **CLAIM**

I claim, the ornamental design for a workstation luminaire, as shown and described.

**DESCRIPTION**

FIG. 1 is a perspective view of a workstation luminaire, showing my new design;

FIG. 2 is a perspective view of a workstation luminaire in another embodiment of the invention, showing my new design;

FIG. 3 is a front elevation view of the design shown in FIG. 1. The luminaire is shown broken in the middle to indicate it has been reduced in width to fit on the drawing sheet;

FIG. 4 is a front elevation view of the design shown in FIG. 2;

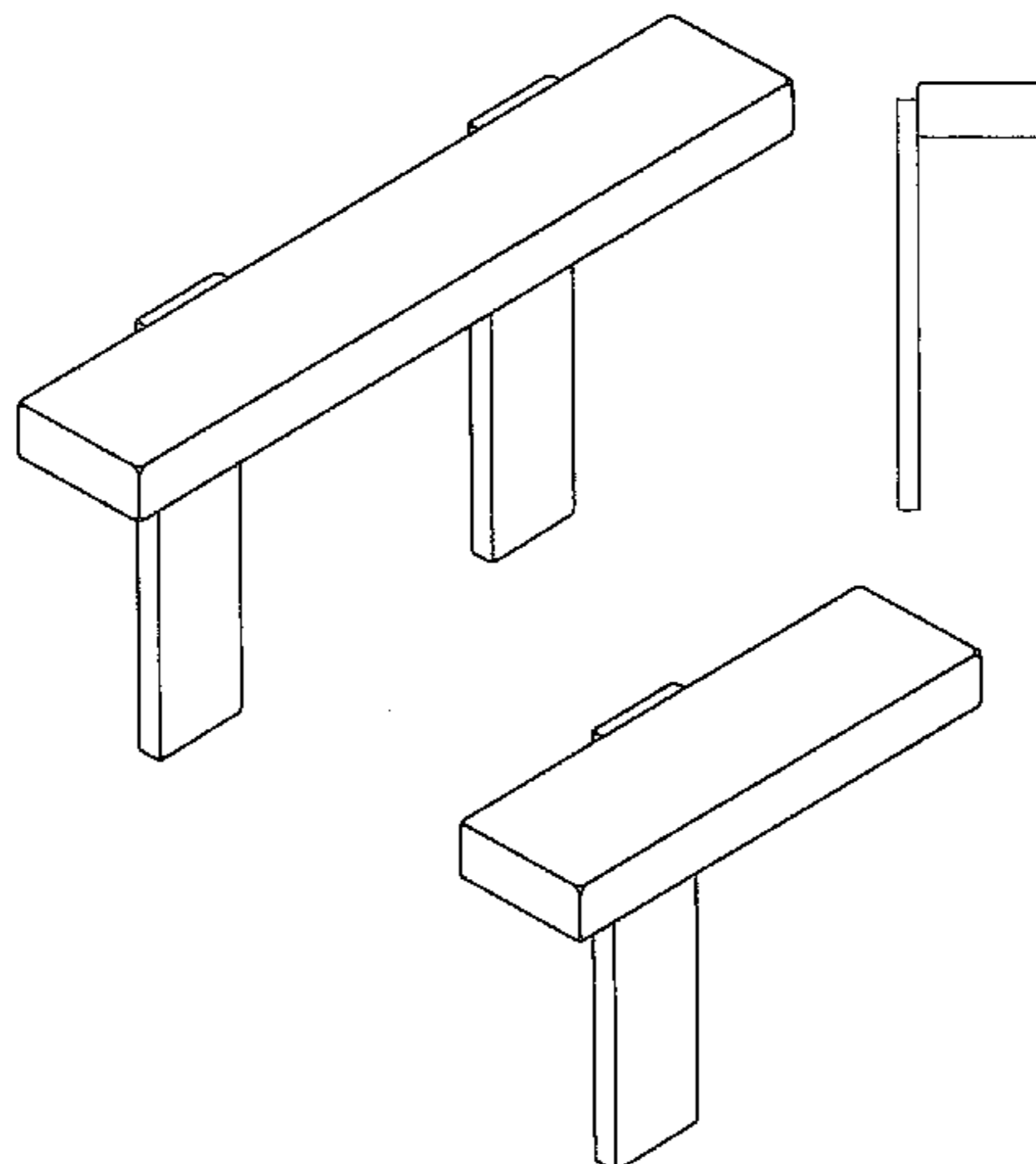
FIG. 5 is a rear elevation view of the design shown in FIG. 1;

FIG. 6 is a rear elevation view of the design shown in FIG. 2; and,

FIG. 7 is a side elevation view of the design shown in FIG. 1 and FIG. 2, the opposite sides of which are mirror images thereof.

Applicant notes that the workstation luminaire is illustrated in FIGS. 3 and 5 to show indeterminate length.

**1 Claim, 3 Drawing Sheets**



# US D563,019 S

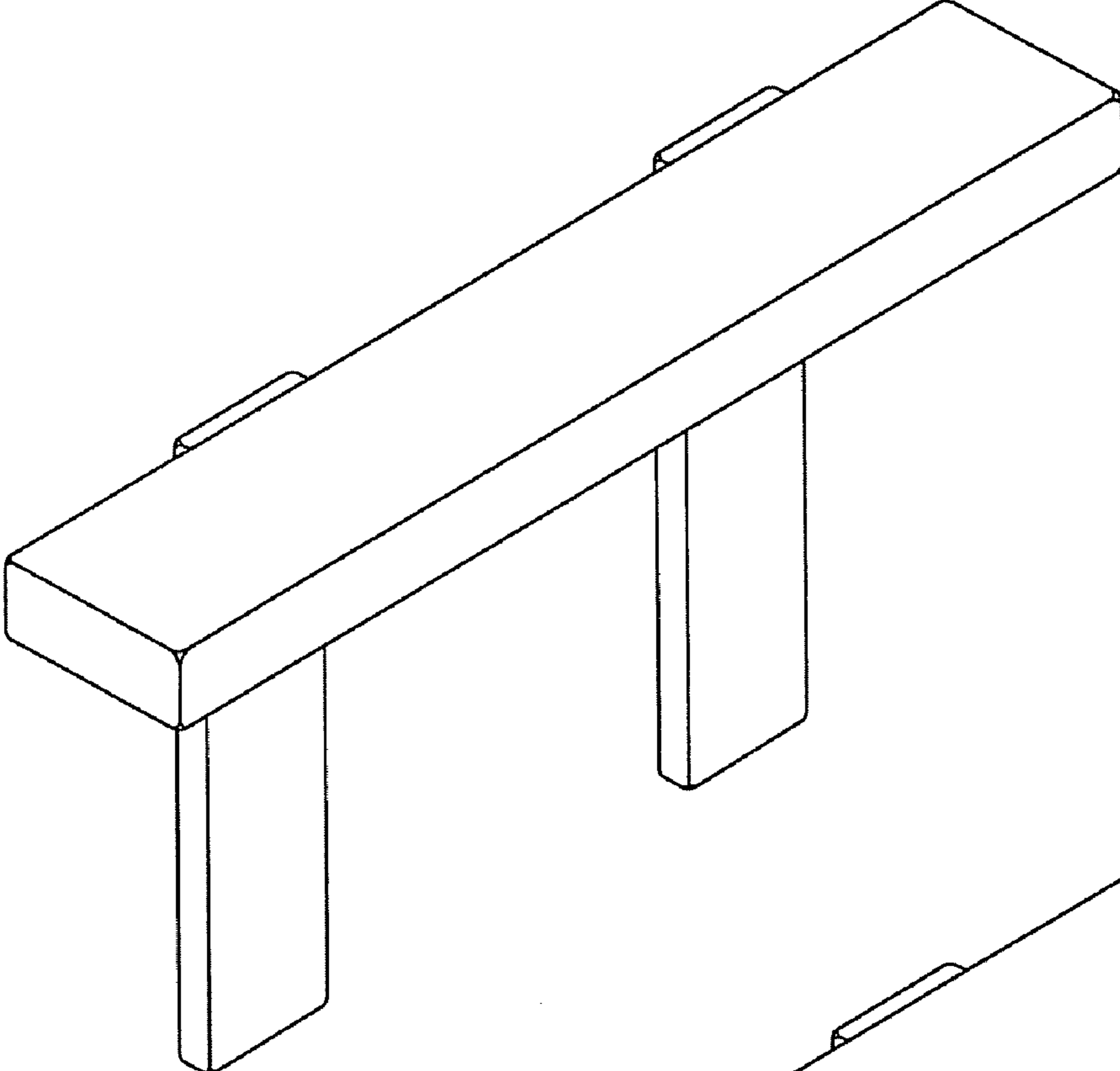
Page 2

---

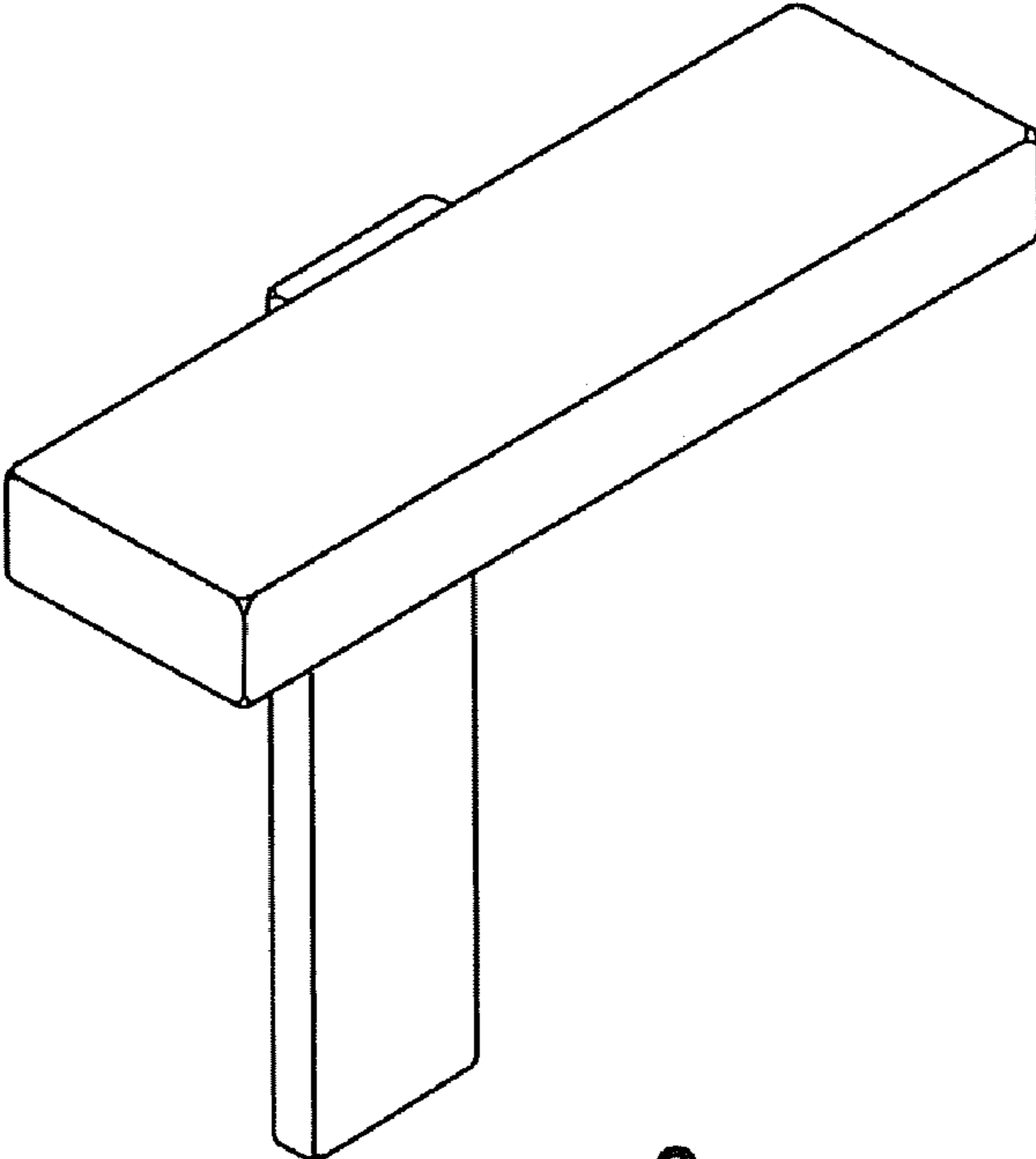
## U.S. PATENT DOCUMENTS

D323,662 S *	2/1992	Sapp .....	D15/199	D452,340 S *	12/2001	Pickett et al. ....	D26/76
D329,715 S *	9/1992	Dieperink .....	D26/76	D456,928 S *	5/2002	Russello et al. ....	D26/85
D330,090 S *	10/1992	Walter et al. ....	D26/51	D464,457 S *	10/2002	Echito .....	D26/76
5,412,551 A *	5/1995	Newell .....	362/241	D464,757 S *	10/2002	Echito .....	D26/75
5,658,067 A *	8/1997	Engle et al. ....	362/222	D473,670 S *	4/2003	Kelmelis et al. ....	D26/74
D386,278 S *	11/1997	Engle et al. ....	D26/76	D496,750 S *	9/2004	Waldmann .....	D26/78
D397,818 S *	9/1998	Herst et al. ....	D26/76	D502,565 S *	3/2005	Hetfield .....	D26/76
D400,899 S *	11/1998	Simms .....	D16/136	7,156,537 B1 *	1/2007	Cohrs .....	362/147
D415,304 S *	10/1999	Brown .....	D26/87	2006/0232975 A1 *	10/2006	Pfund .....	362/296
D440,692 S *	4/2001	Janos et al. ....	D26/87	2006/0232981 A1 *	10/2006	Pfund et al. ....	362/368
6,254,254 B1 *	7/2001	Chubb et al. ....	362/293				

\* cited by examiner



**FIG. 1**



**FIG. 2**

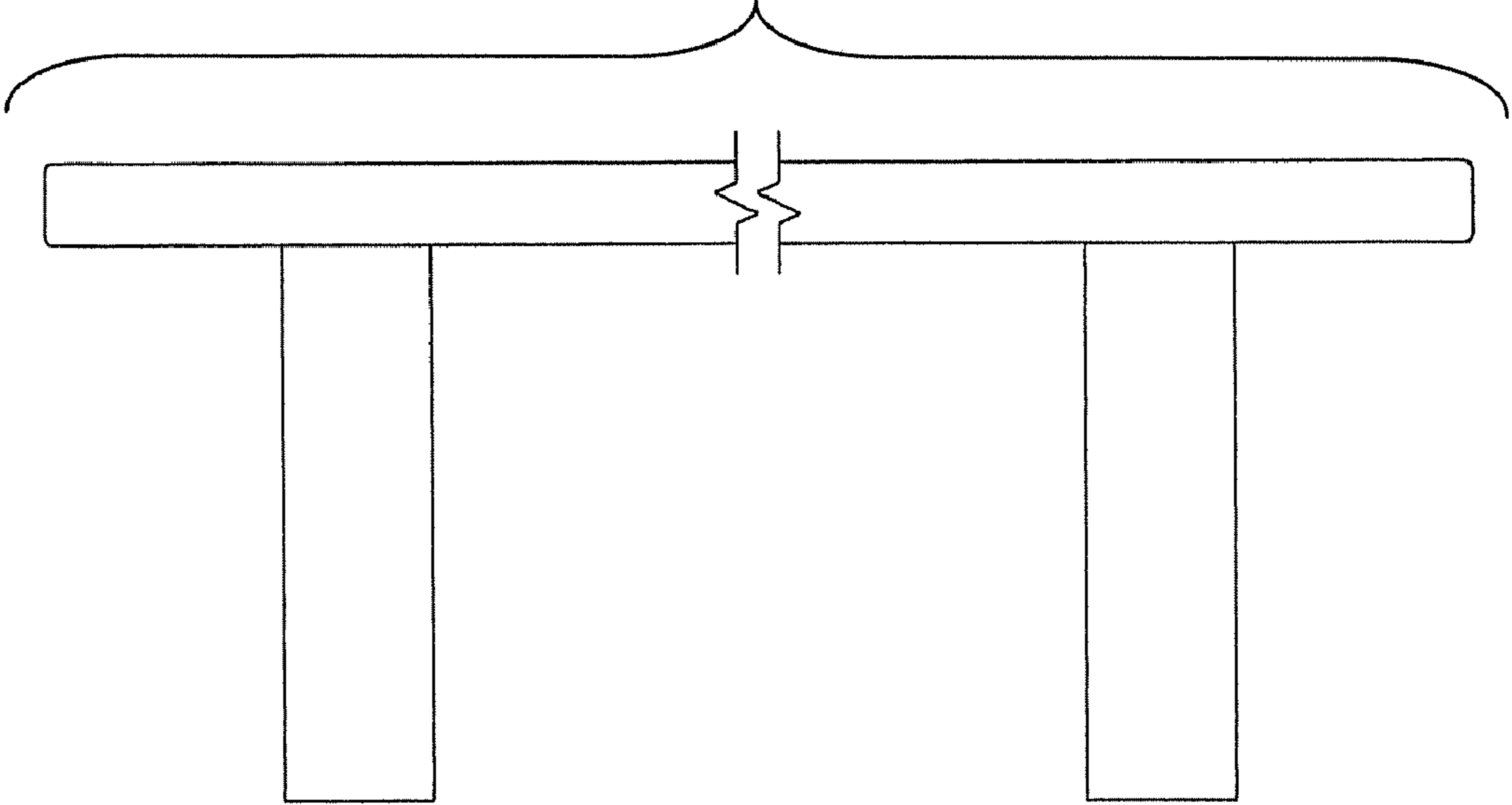


FIG. 3

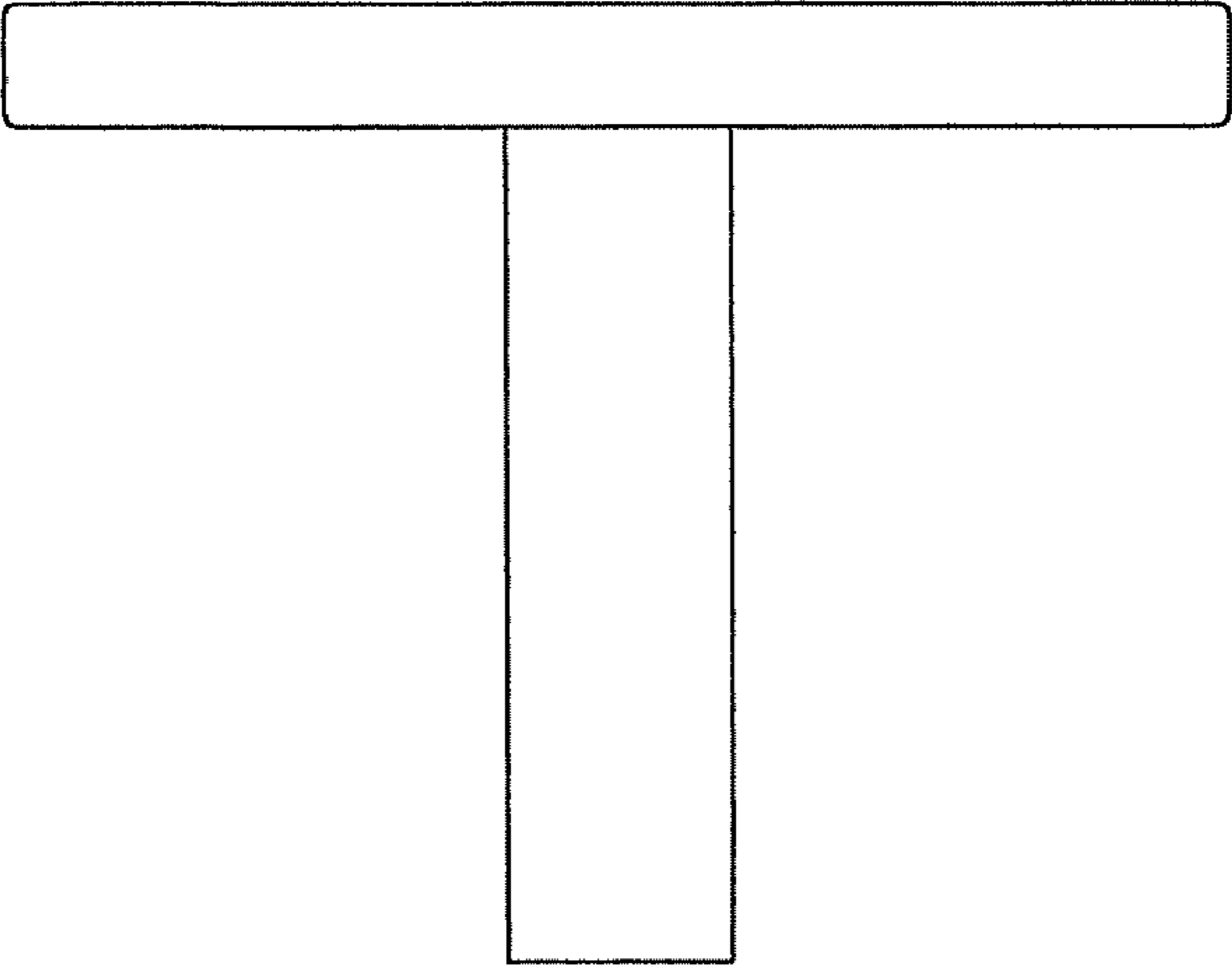


FIG. 4

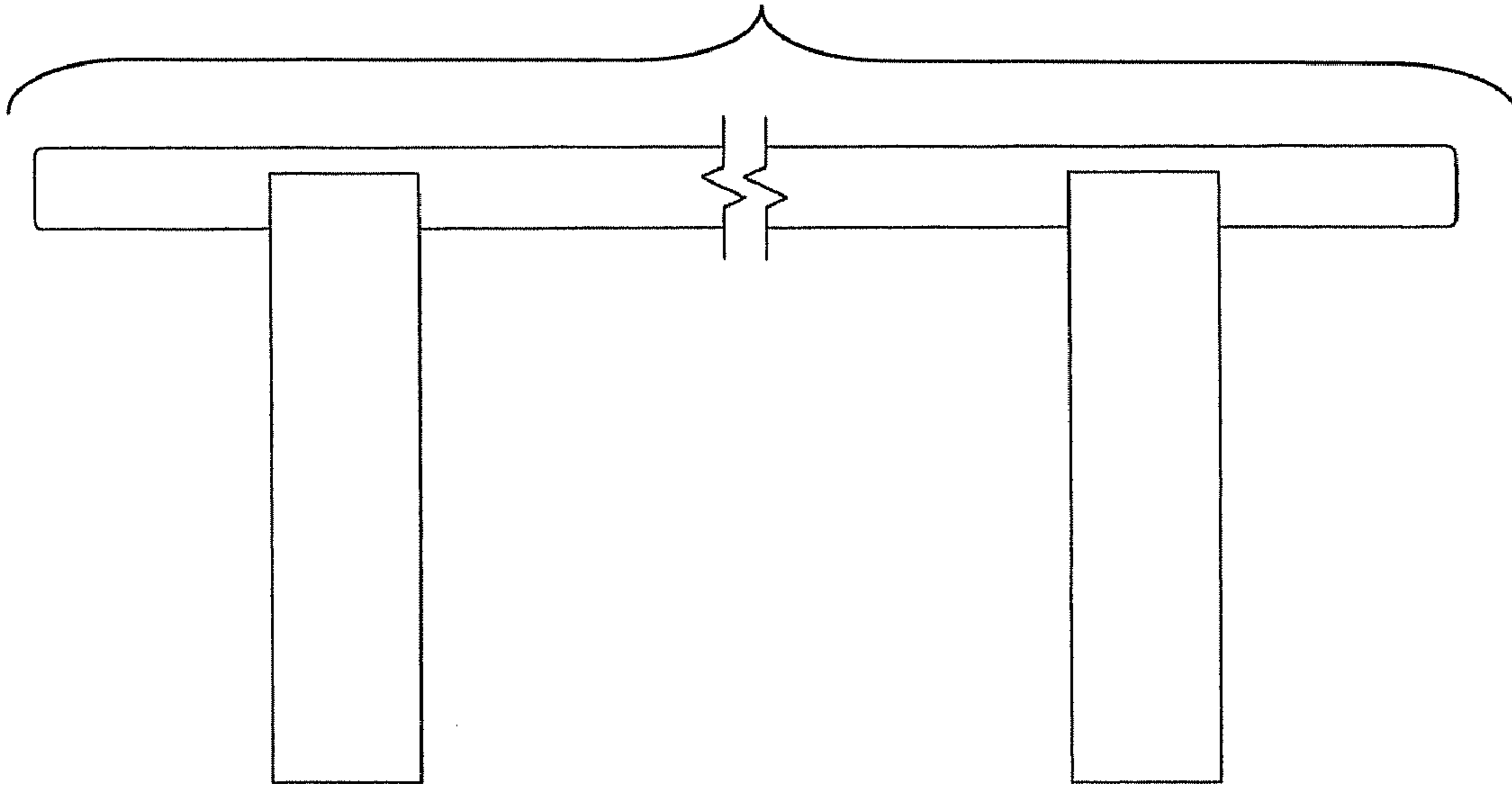


FIG. 5

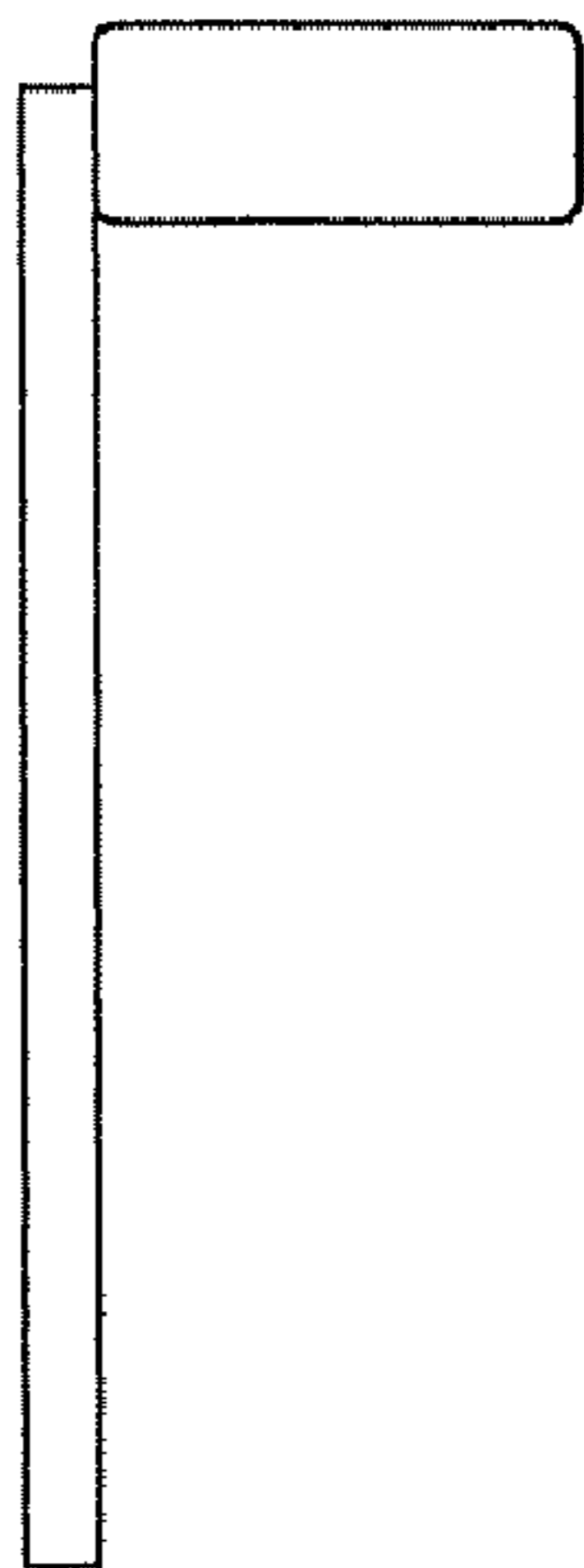


FIG. 7

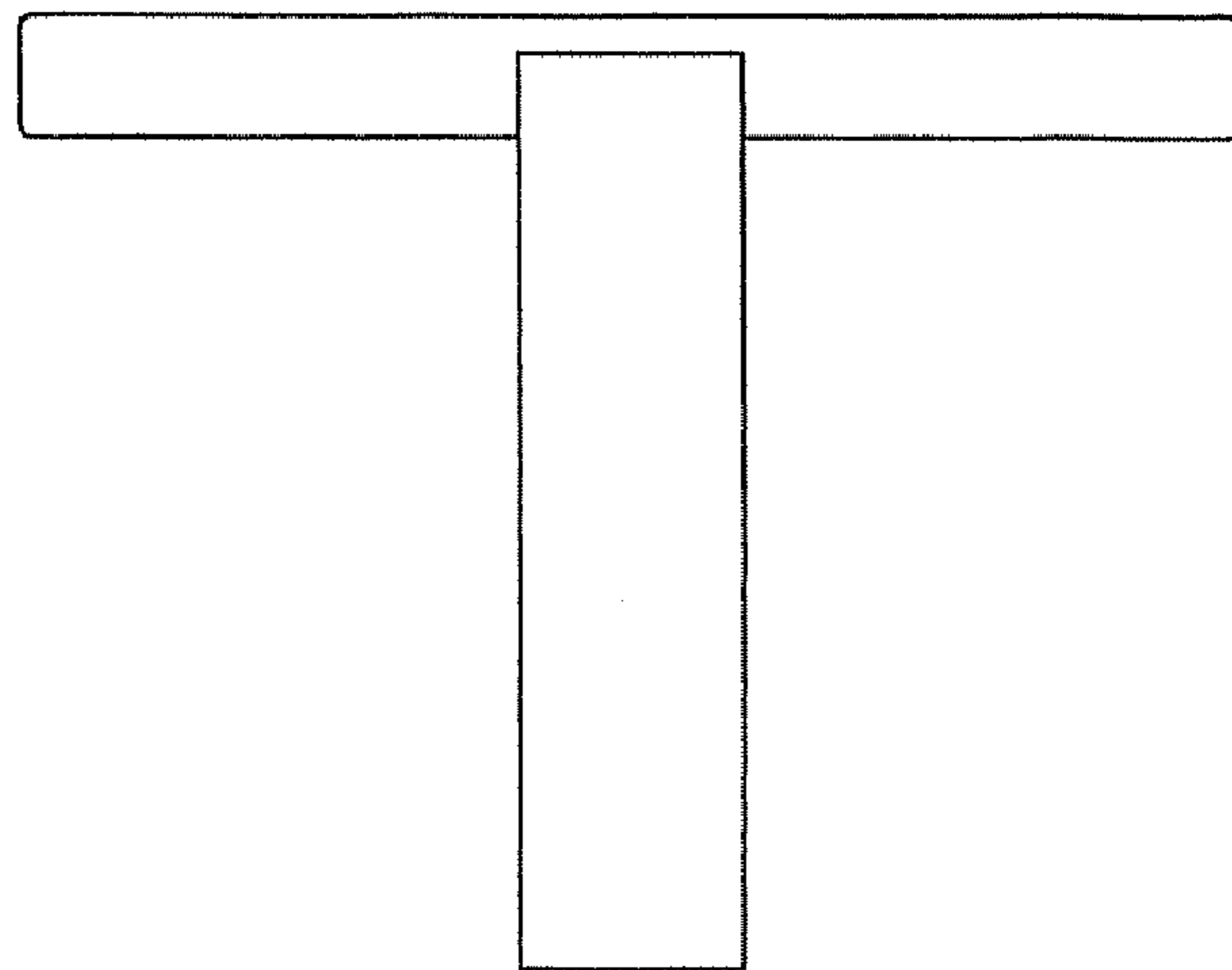


FIG. 6