



US00D563018S

(12) **United States Design Patent**  
**Nankil**

(10) **Patent No.:** **US D563,018 S**

(45) **Date of Patent:** **\*\* Feb. 26, 2008**

(54) **LIGHT FIXTURE**

(75) Inventor: **Robert R. Nankil**, Buena Park, CA  
(US)

(73) Assignee: **Hubbell Incorporated**, Orange, CT  
(US)

(\*\*) Term: **14 Years**

(21) Appl. No.: **29/270,243**

(22) Filed: **Dec. 19, 2006**

(51) **LOC (8) Cl.** ..... **26-05**

(52) **U.S. Cl.** ..... **D26/70; D26/71**

(58) **Field of Classification Search** ..... D26/60,  
D26/67-72, 75-78, 85, 24; 362/102, 240,  
362/157-159, 183, 101, 431, 367  
See application file for complete search history.

(56) **References Cited**

U.S. PATENT DOCUMENTS

D147,722 S	10/1947	Fanelli	
3,156,418 A *	11/1964	Jablonski et al. ....	52/28
D200,590 S *	3/1965	Steenhoven .....	D26/24
D204,681 S	5/1966	Mehr	
D207,273 S *	3/1967	Muller et al. ....	D26/68
D210,151 S *	2/1968	Koziol .....	D26/70
D210,907 S *	4/1968	Villa .....	D26/68
D266,958 S *	11/1982	Gernhardt .....	D26/92
D285,010 S *	8/1986	Mullins .....	D26/67
D370,287 S *	5/1996	Kay .....	D26/67
D377,399 S *	1/1997	Kay .....	D26/68
6,113,250 A	9/2000	Lin	
D443,385 S	6/2001	Maruyama	
6,270,238 B1	8/2001	Mendelsohn et al.	
D451,227 S *	11/2001	Orellana et al. ....	D26/67
D456,926 S *	5/2002	Gaskins et al. ....	D26/71
D470,965 S *	2/2003	Landefeld .....	D26/71
2003/0133305 A1	7/2003	Chen	
2004/0095773 A1 *	5/2004	Gaskins et al. ....	362/370

\* cited by examiner

Primary Examiner—Clare E Heflin

(74) *Attorney, Agent, or Firm*—Jenae C. Avallone; Mark S. Bicks; Alfred N. Goodman

(57) **CLAIM**

The ornamental design for a light fixture, as shown and described.

**DESCRIPTION**

FIG. 1 is a perspective view of the right side and bottom of the light fixture according to a first embodiment of the present invention;

FIG. 2 is a front elevational view of the light fixture illustrated in FIG. 1;

FIG. 3 is an elevational view of the right side of the light fixture illustrated in FIGS. 1-2;

FIG. 4 is an elevational view of the left side of the light fixture illustrated in FIGS. 1-3;

FIG. 5 is a rear elevational view of the light fixture illustrated in FIGS. 1-4;

FIG. 6 is a bottom plan view of the light fixture illustrated in FIGS. 1-5;

FIG. 7 is a top plan view of the light fixture illustrated in FIGS. 1-6;

FIG. 8 is a perspective view of the right side and bottom with an attachment for securing to a vertical surface in accordance with a second embodiment of the present invention;

FIG. 9 is a front elevational view of the light fixture of the light fixture illustrated in FIG. 8;

FIG. 10 is an elevational view of the right side of the light fixture illustrated in FIGS. 8-9;

FIG. 11 is an elevational view of the left side of the light fixture illustrated in FIGS. 8-10;

FIG. 12 is a rear elevational view of the light fixture illustrated in FIGS. 8-11;

FIG. 13 is a bottom plan view of the light fixture illustrated in FIGS. 8-12;

FIG. 14 is a top plan view of the light fixture illustrated in FIGS. 8-13;

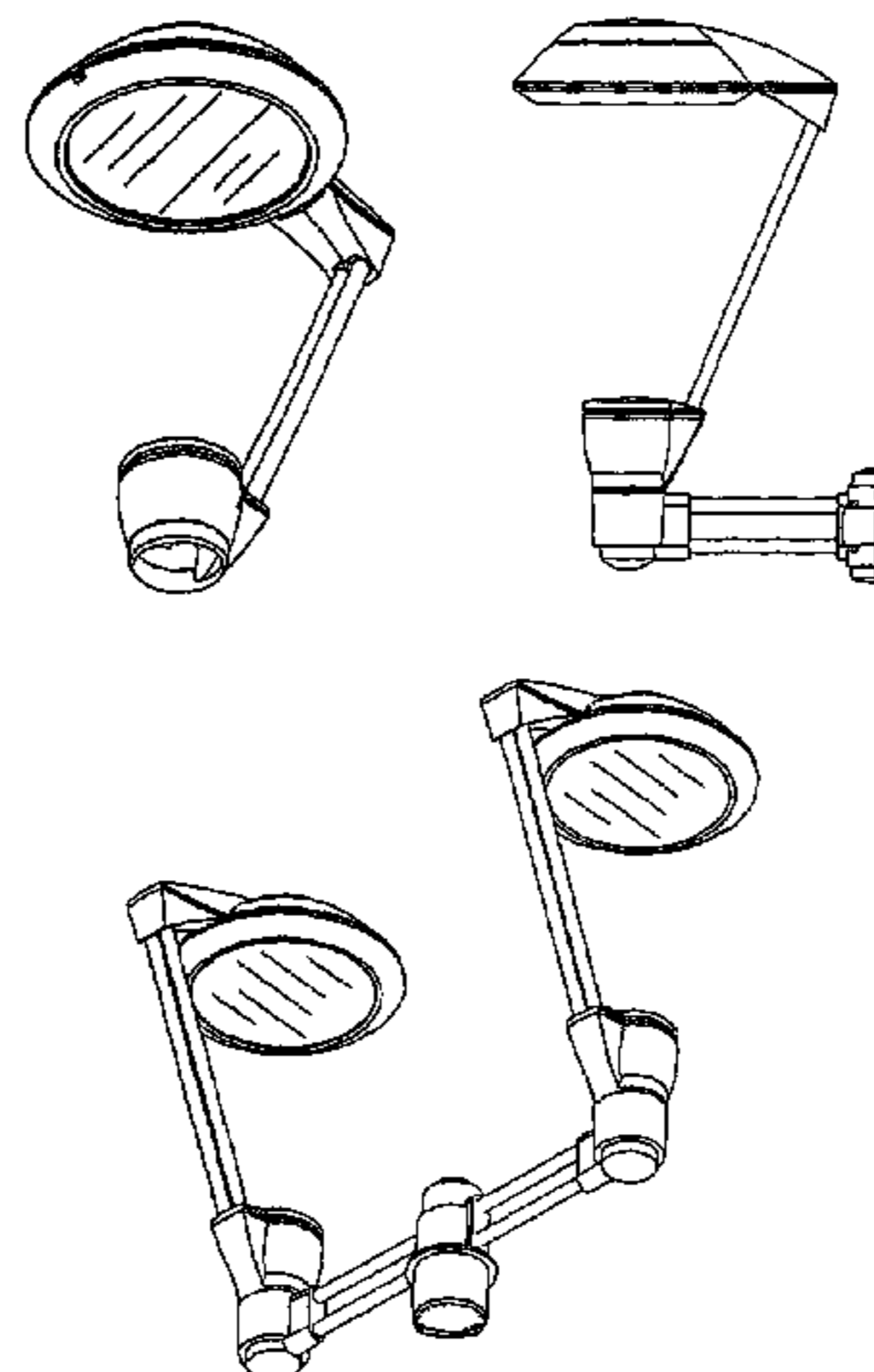


FIG. **15** is a perspective view of the right side and bottom of the light fixture atop an arm in accordance with a third embodiment of the present invention;

FIG. **16** is a front elevational view of the light fixture illustrated in FIG. **15**;

FIG. **17** is an elevational view of the right side of the light fixture illustrated in FIGS. **15–16**;

FIG. **18** is an elevational view of the left side of the light fixture illustrated in FIGS. **15–17**;

FIG. **19** is a rear elevational view of the light fixture illustrated in FIGS. **15–18**;

FIG. **20** is a bottom plan view of the light fixture illustrated in FIGS. **15–19**;

FIG. **21** is a top plan view of the light fixture illustrated in FIGS. **15–20**;

FIG. **22** is a perspective view of the left side and bottom of the light fixture with a second light fixture, both atop an arm

in accordance with a fourth embodiment of the present invention;

FIG. **23** is a front elevational view of the light fixture illustrated in FIG. **22**;

FIG. **24** is an elevational view of the right side of the light fixture illustrated in FIGS. **22–23**;

FIG. **25** is an elevational view of the left side of the light fixture illustrated in FIGS. **22–24**;

FIG. **26** is a rear elevational view of the light fixture illustrated in FIGS. **22–25**;

FIG. **27** is a bottom plan view of the light fixture illustrated in FIGS. **22–26**; and,

FIG. **28** is a top plan view of the light fixture illustrated in FIGS. **22–27**.

**1 Claim, 7 Drawing Sheets**

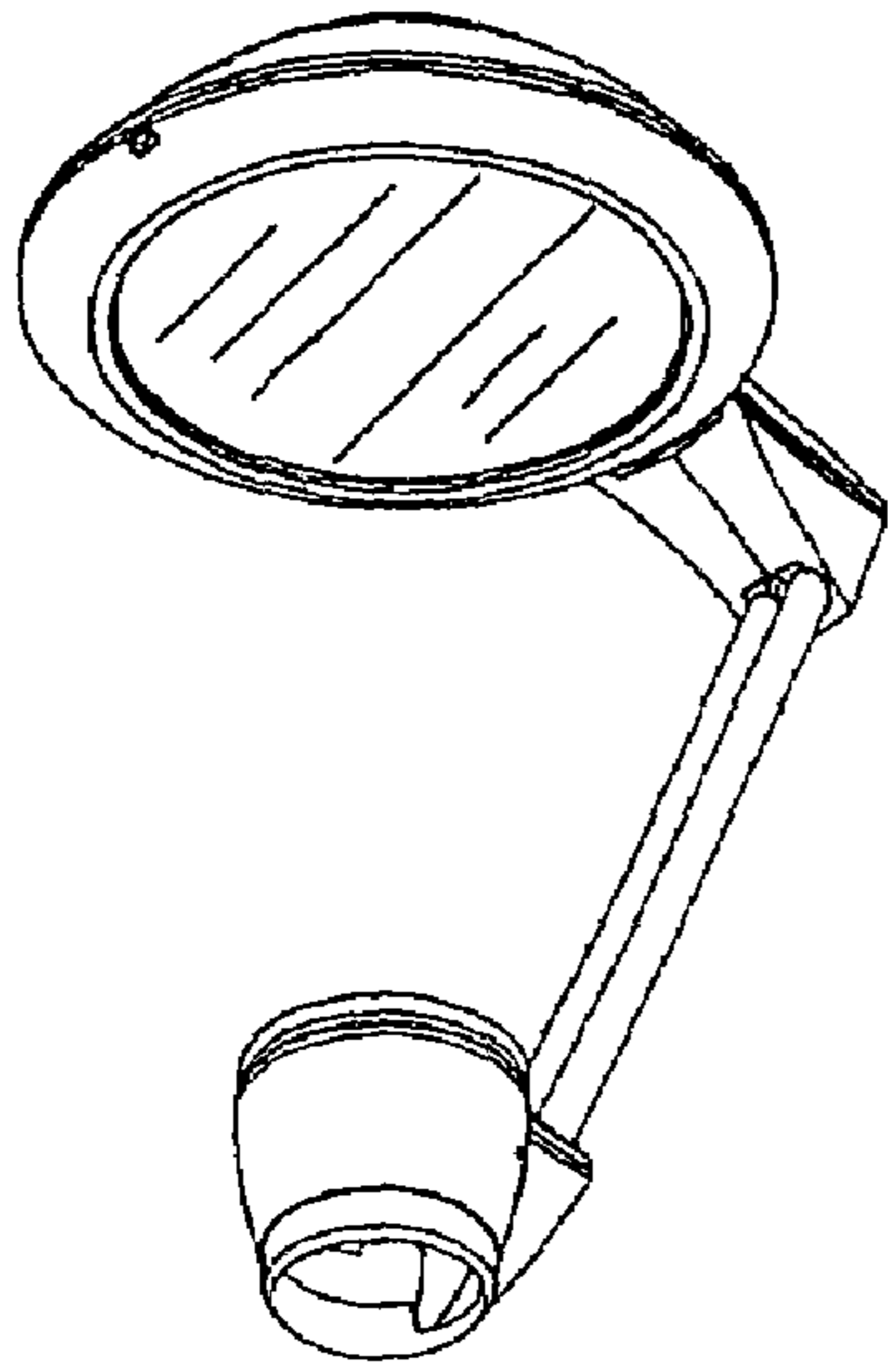


FIG. 1

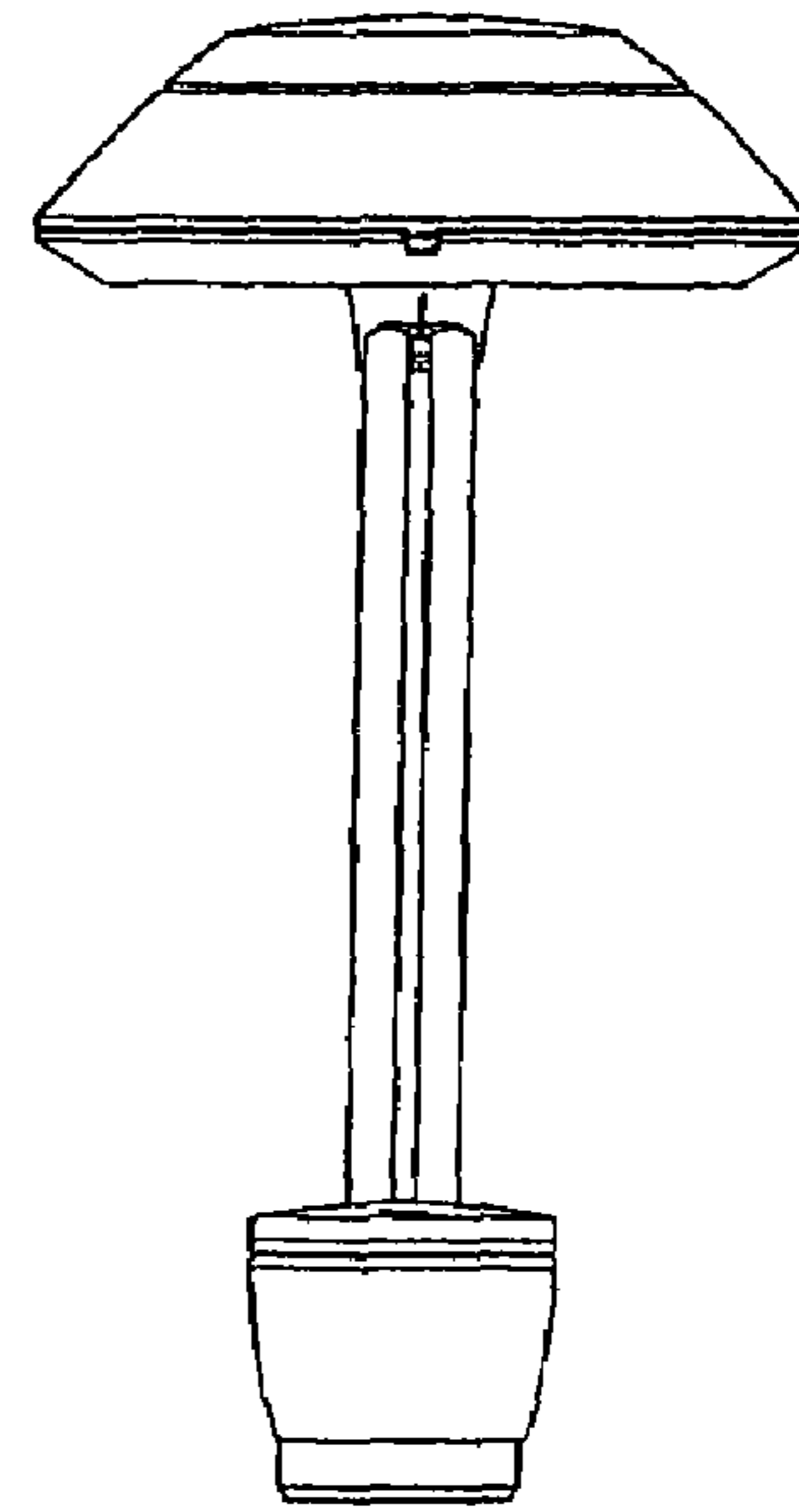


FIG. 2

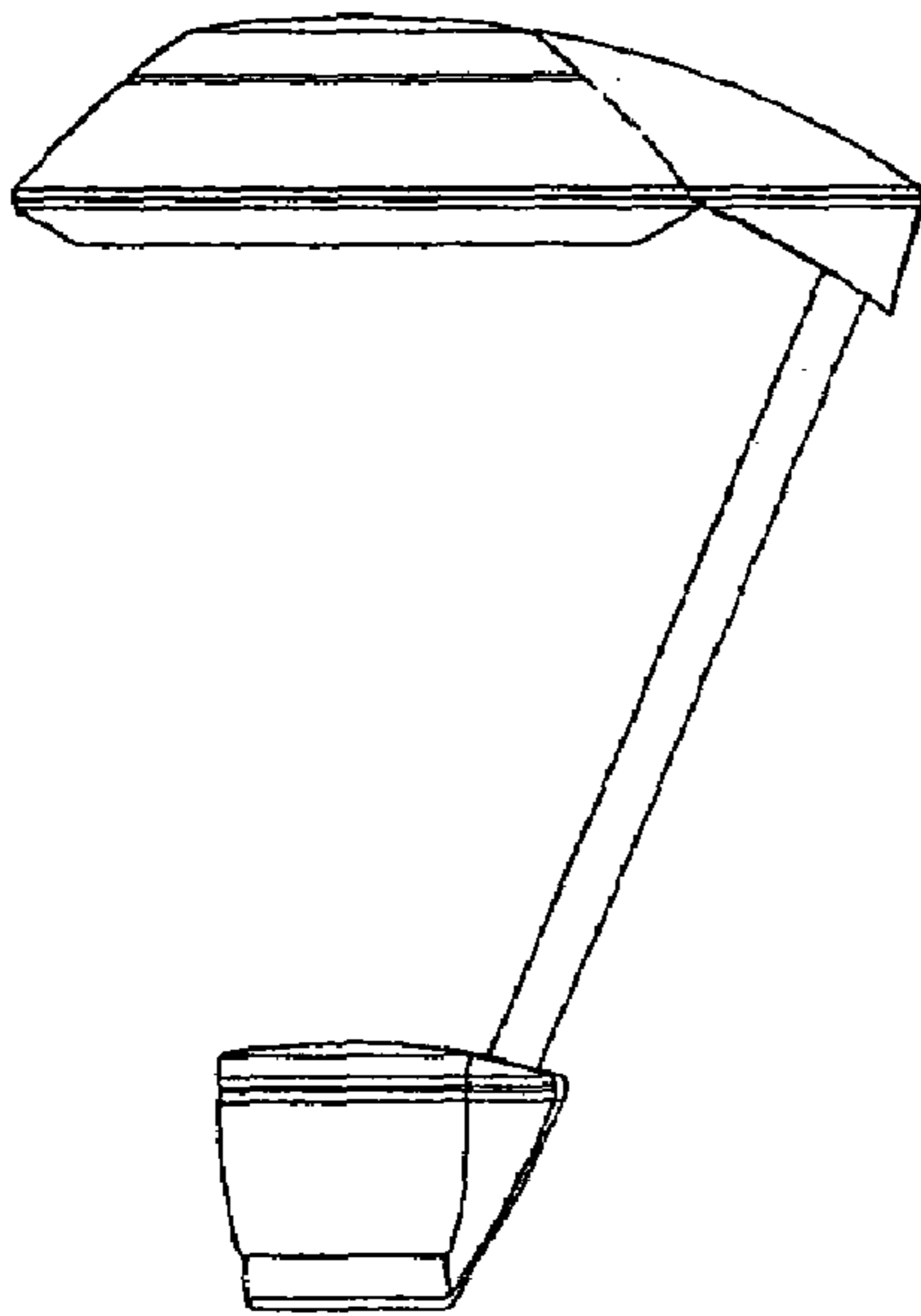


FIG. 3

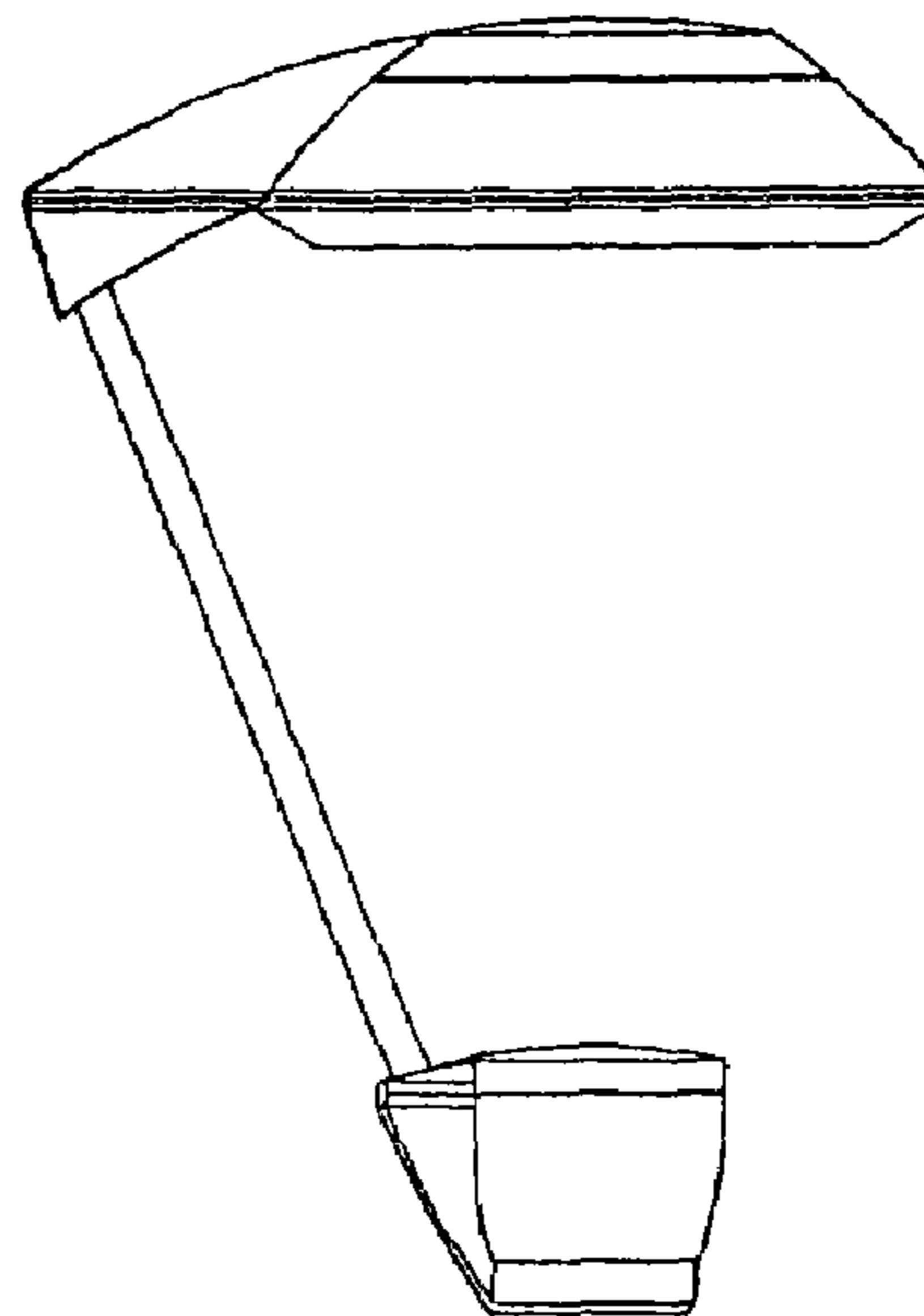


FIG. 4

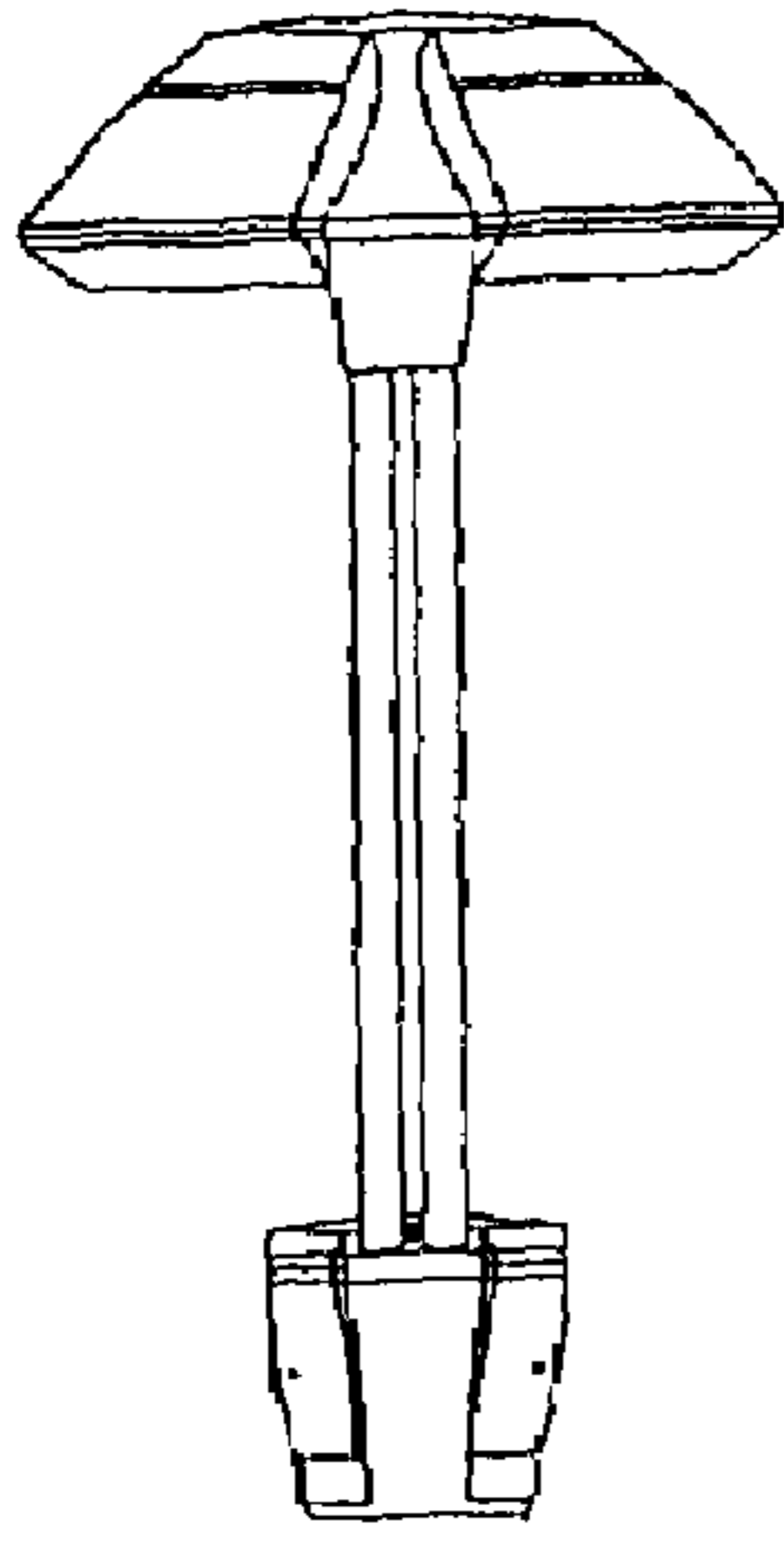


FIG. 5

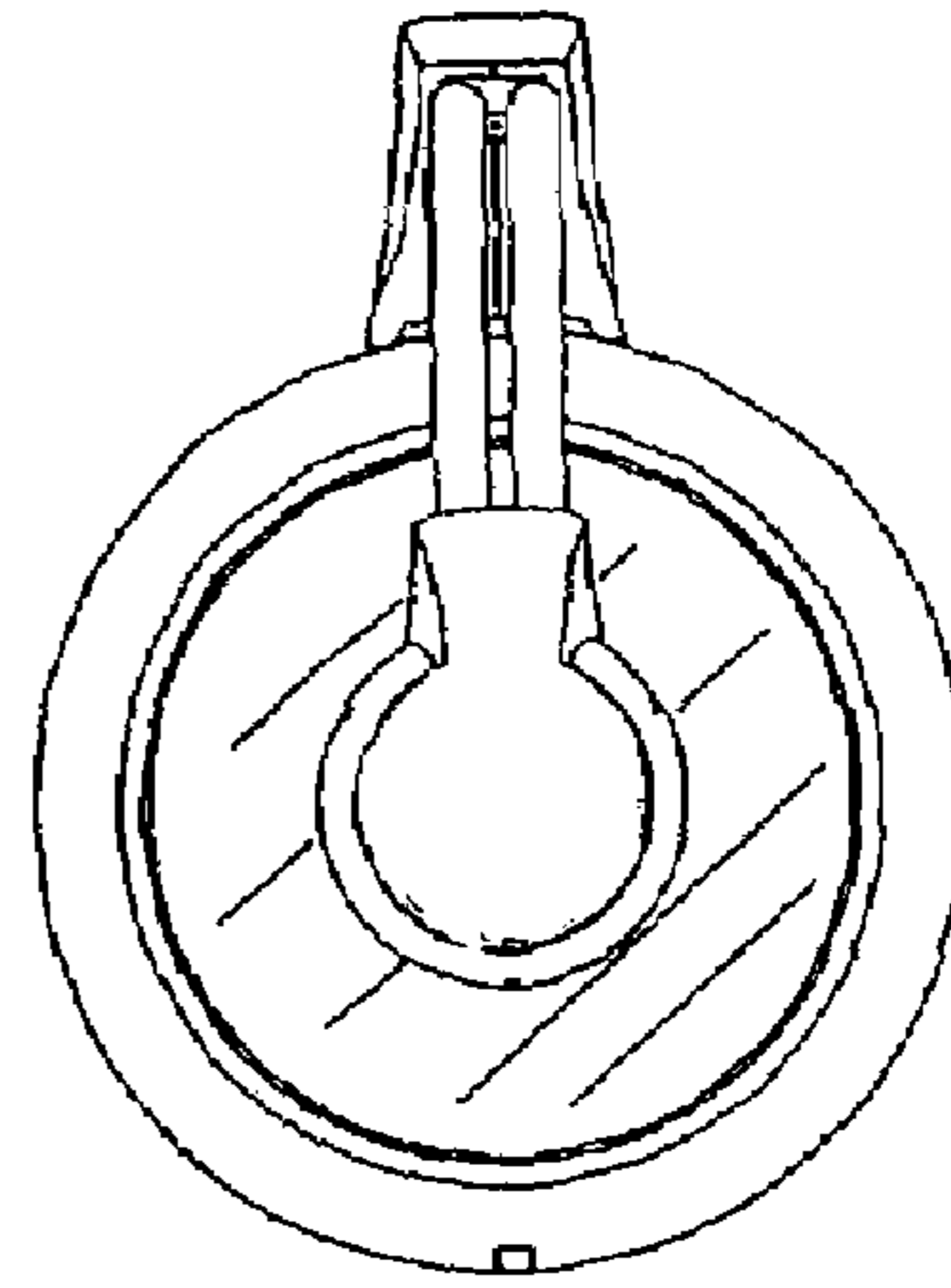


FIG. 6

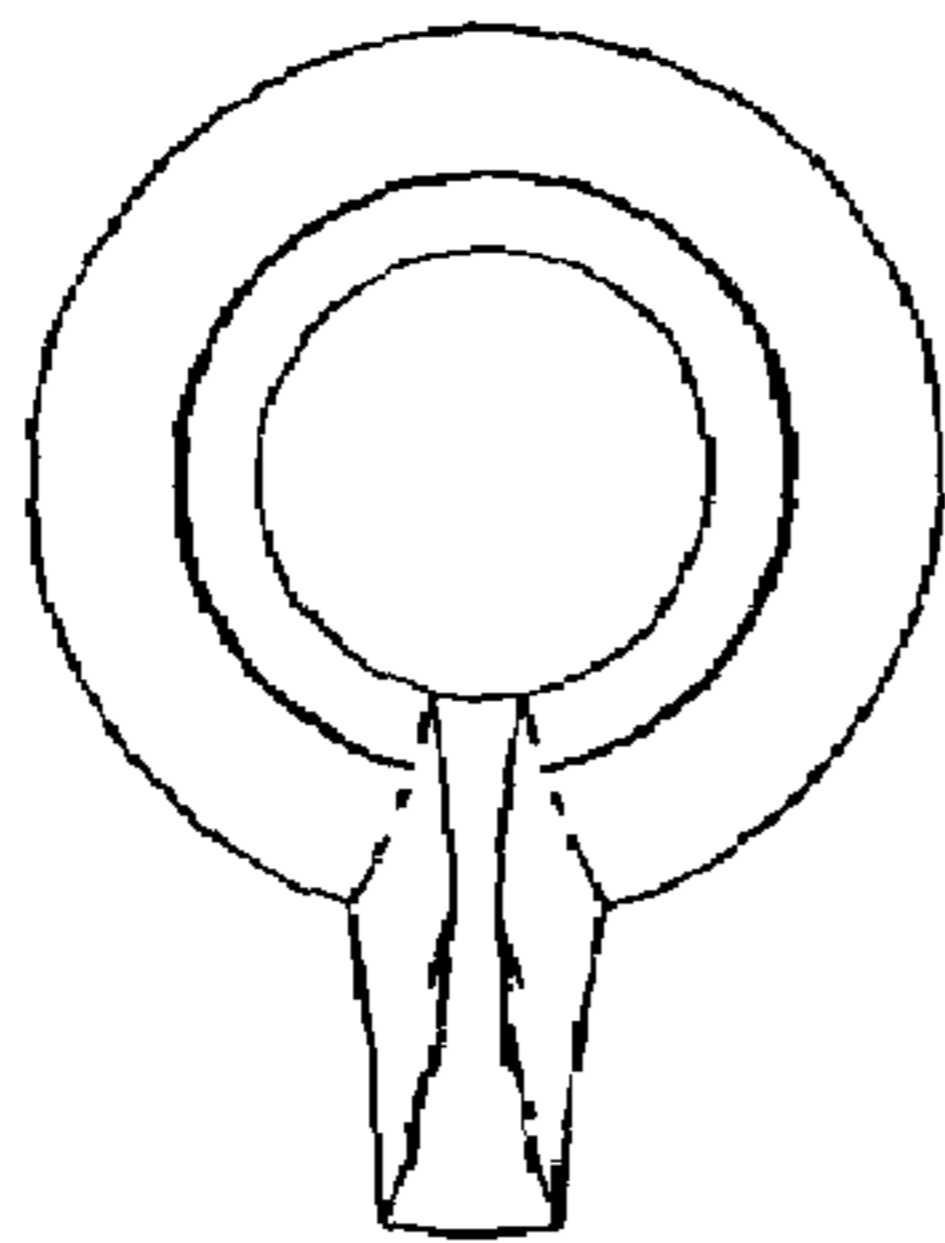


FIG. 7

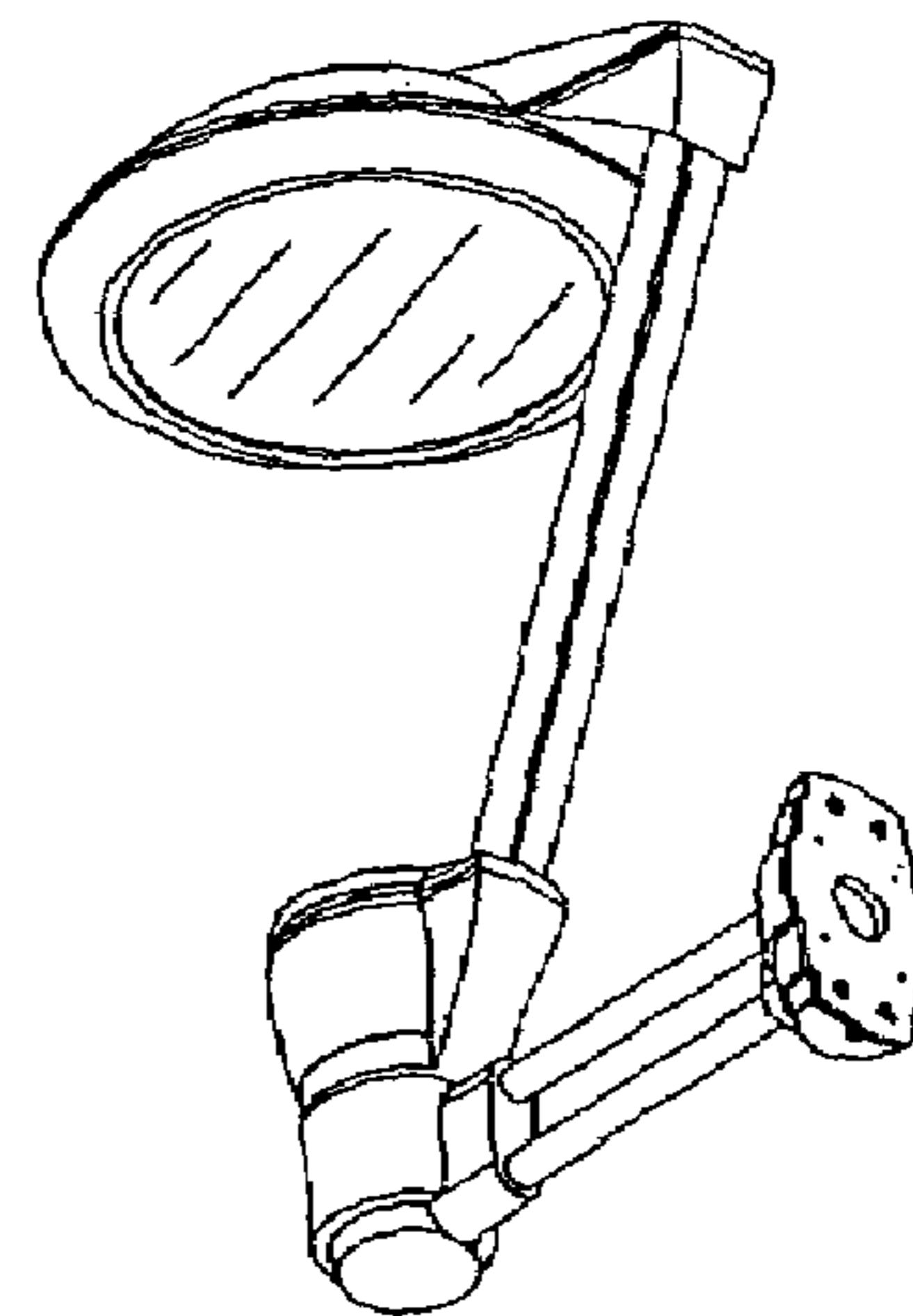


FIG. 8

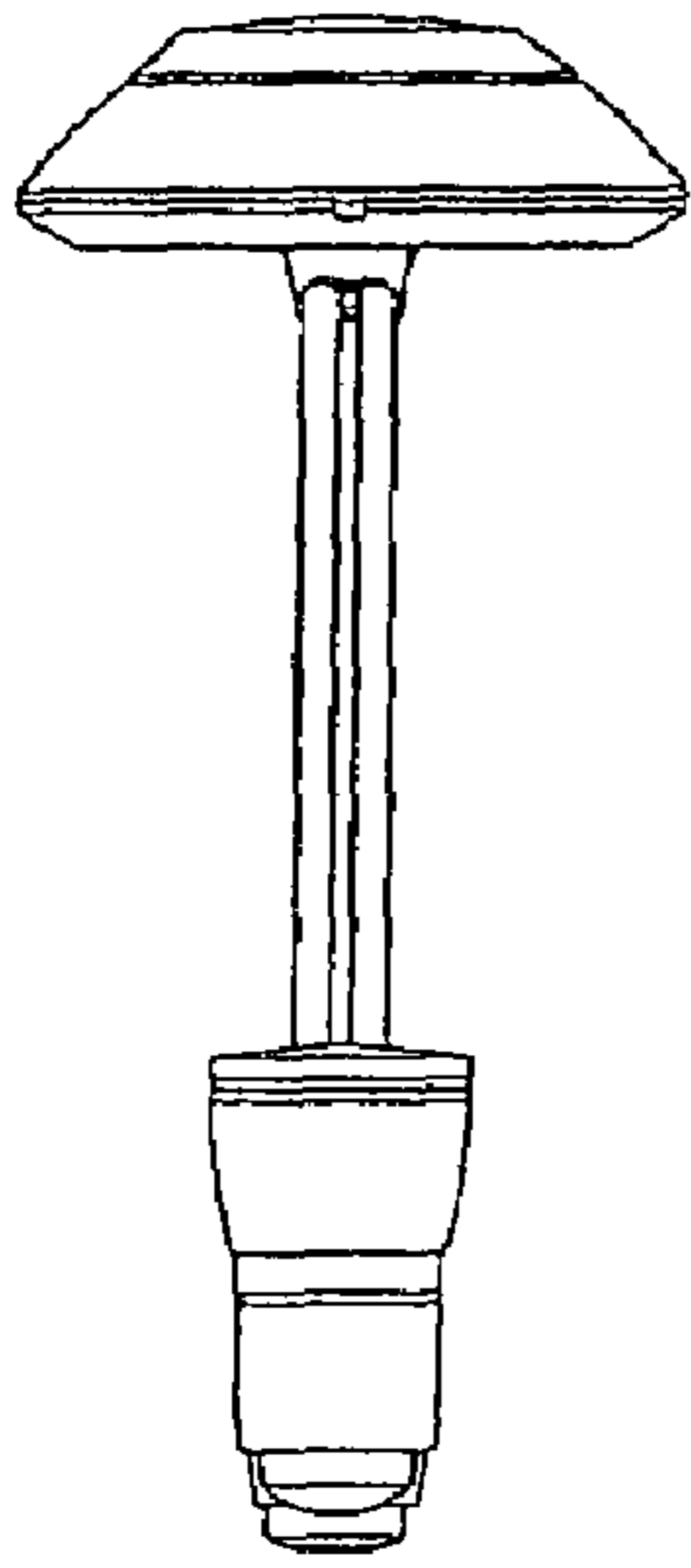


FIG. 9

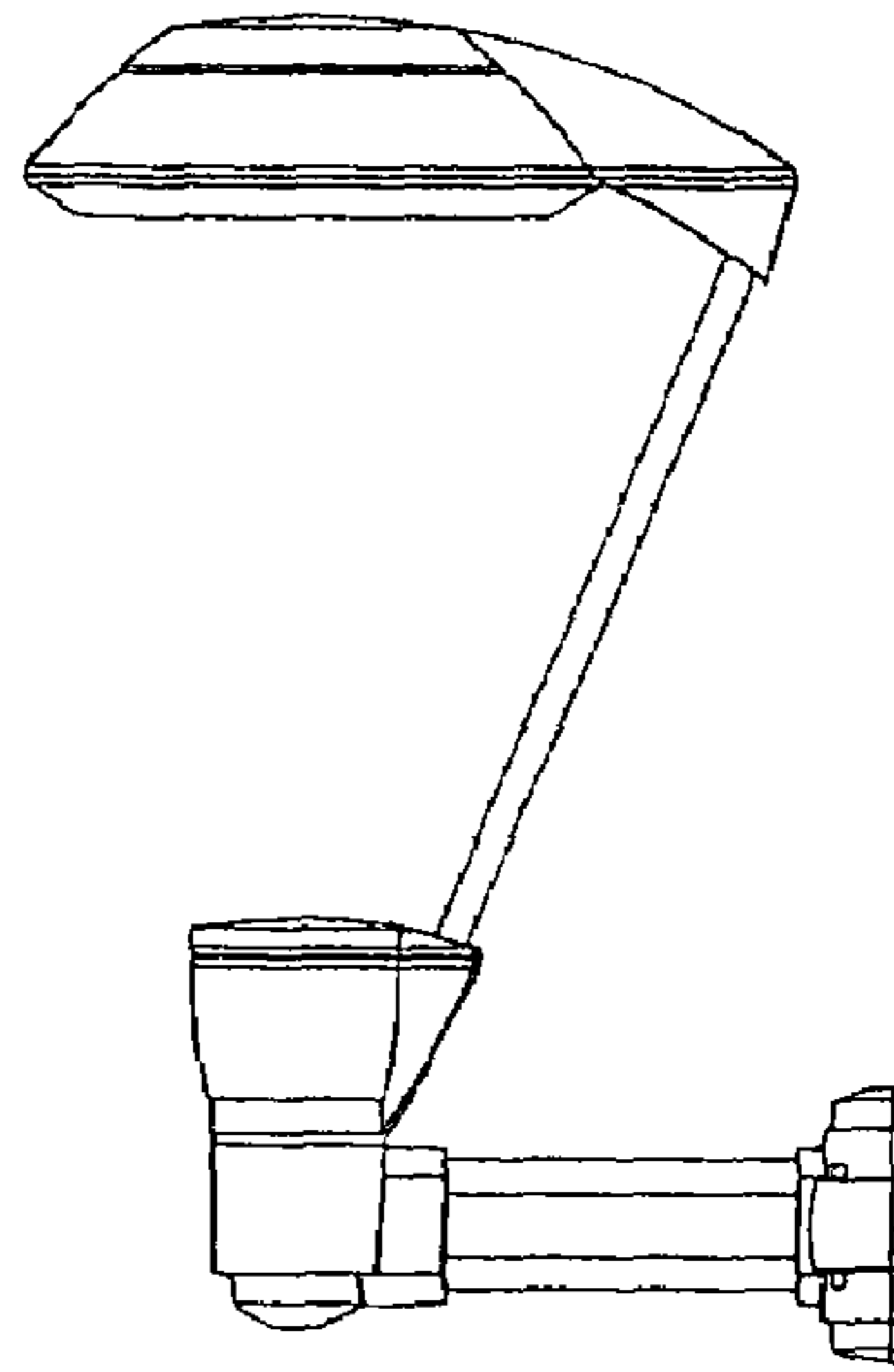


FIG. 10

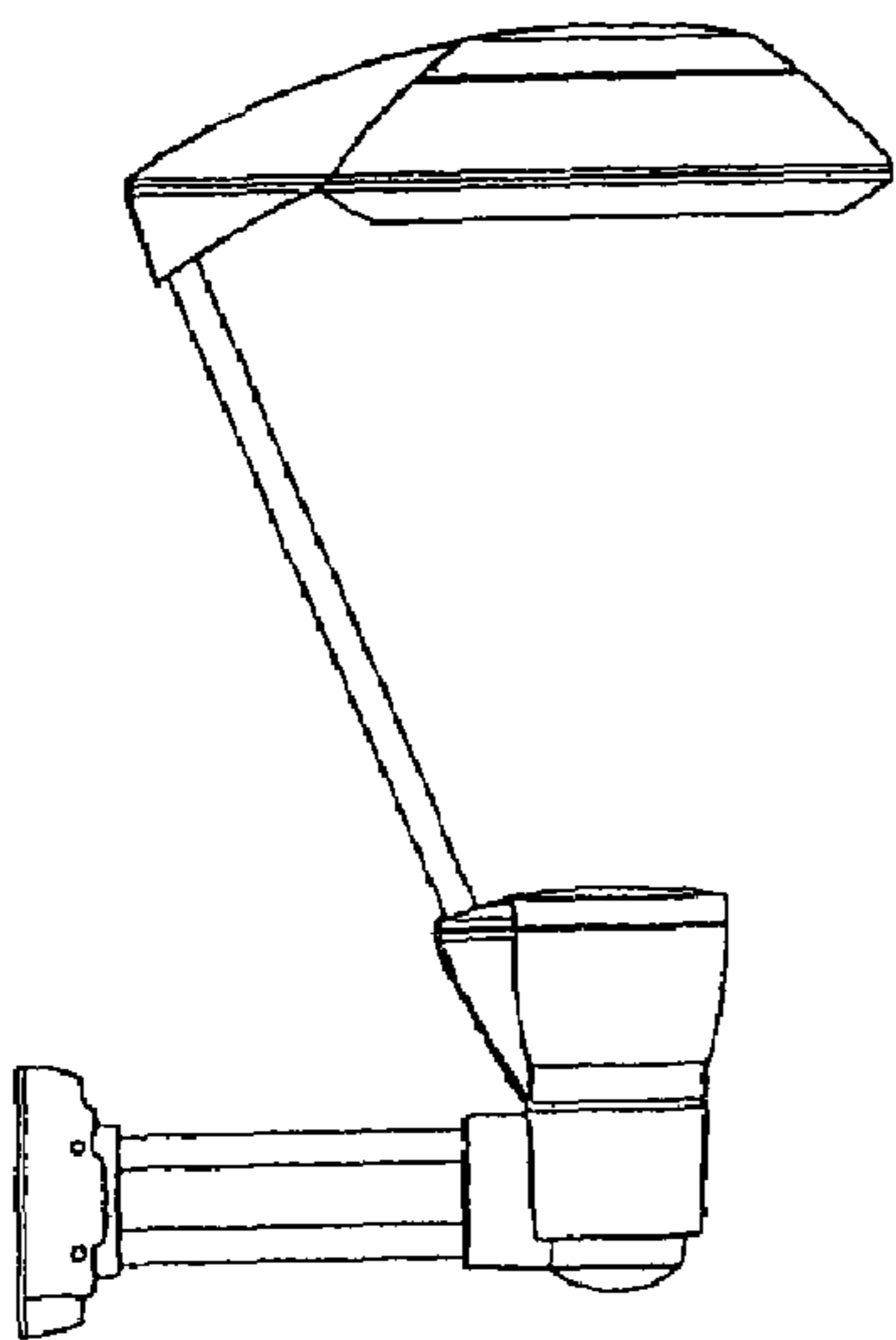


FIG. 11

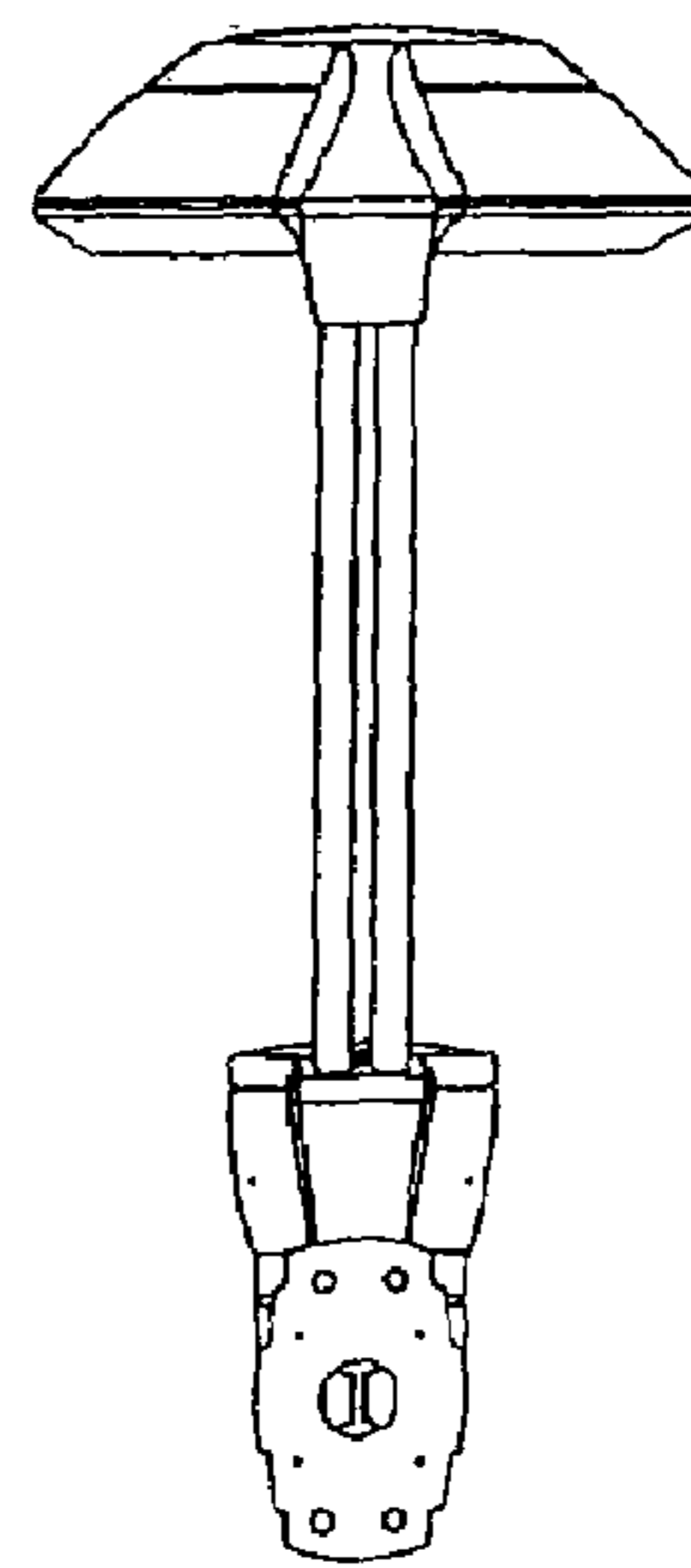


FIG. 12

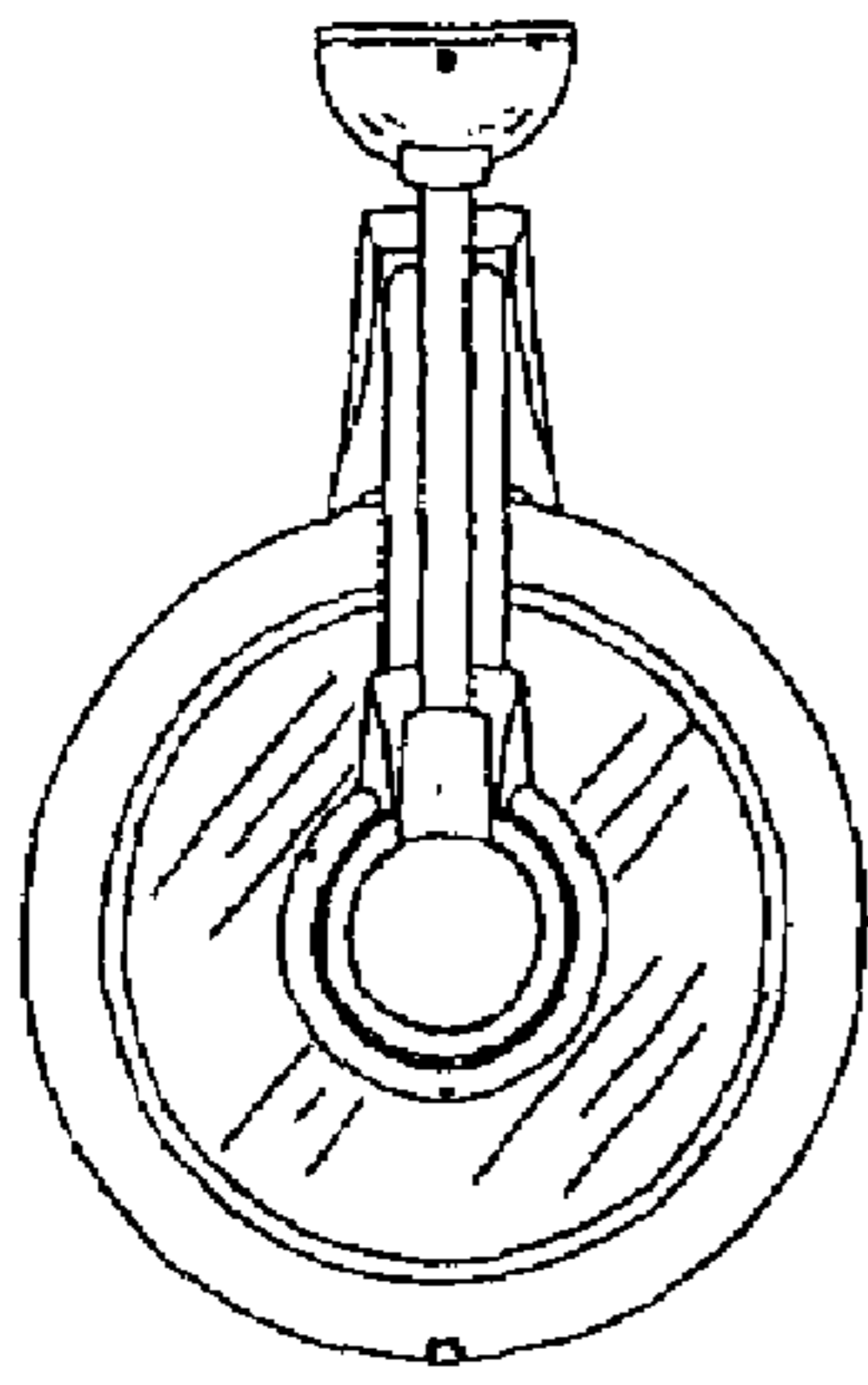


FIG. 13

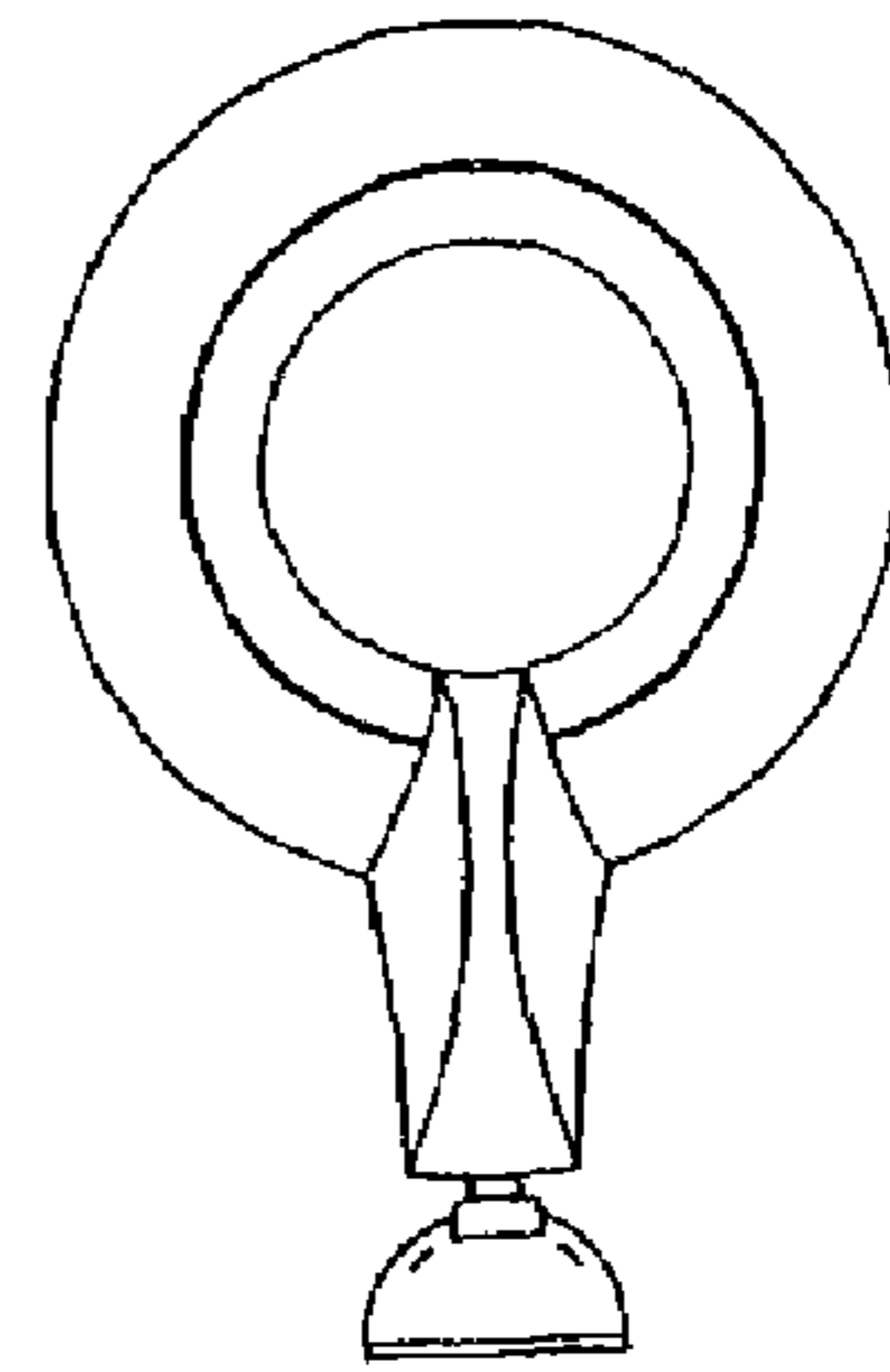


FIG. 14

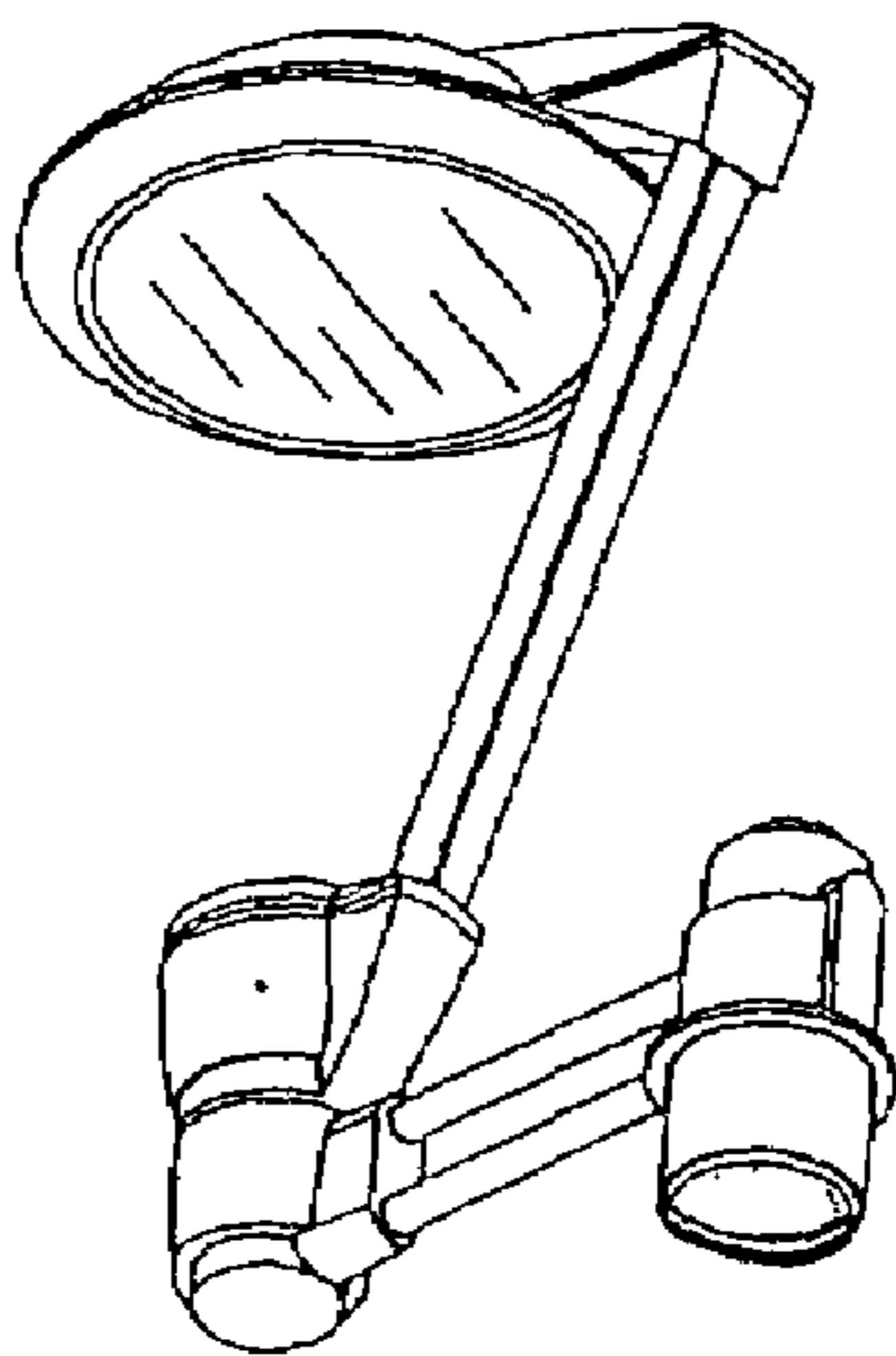


FIG. 15

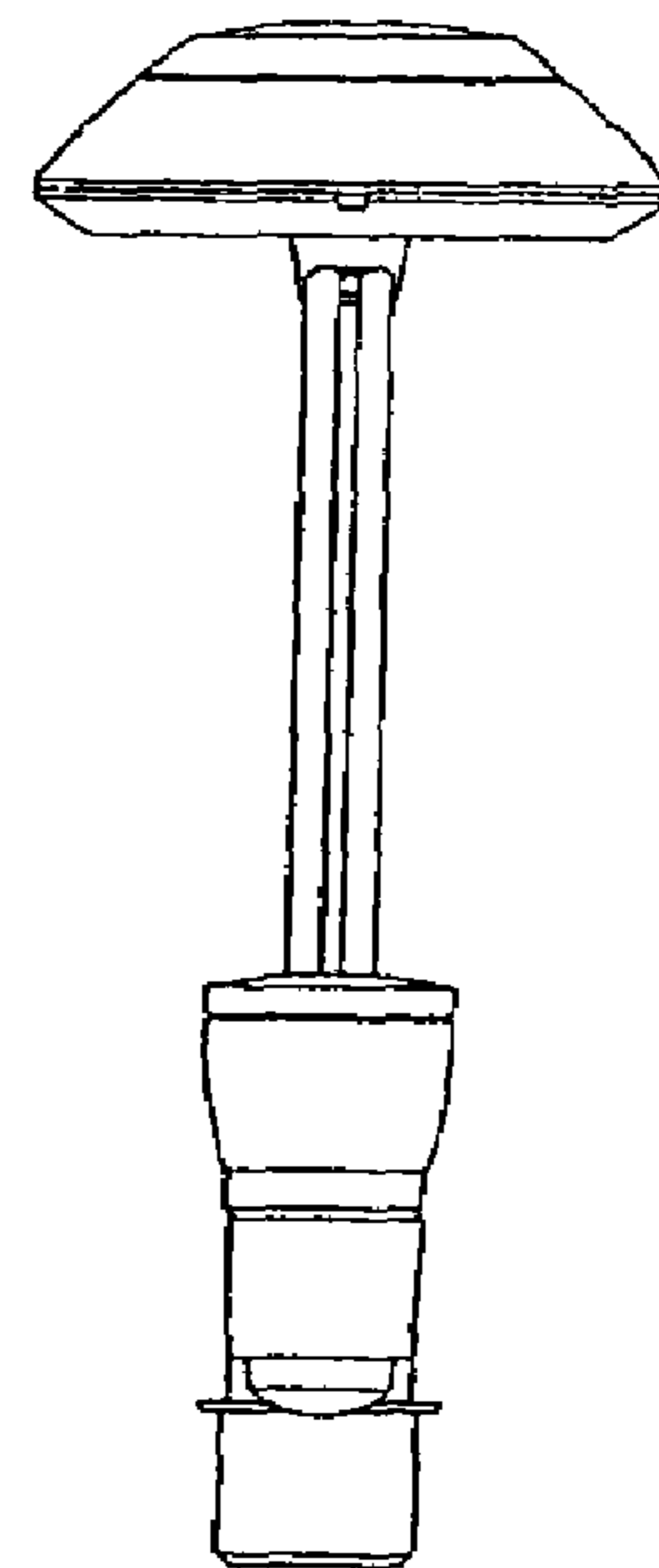


FIG. 16

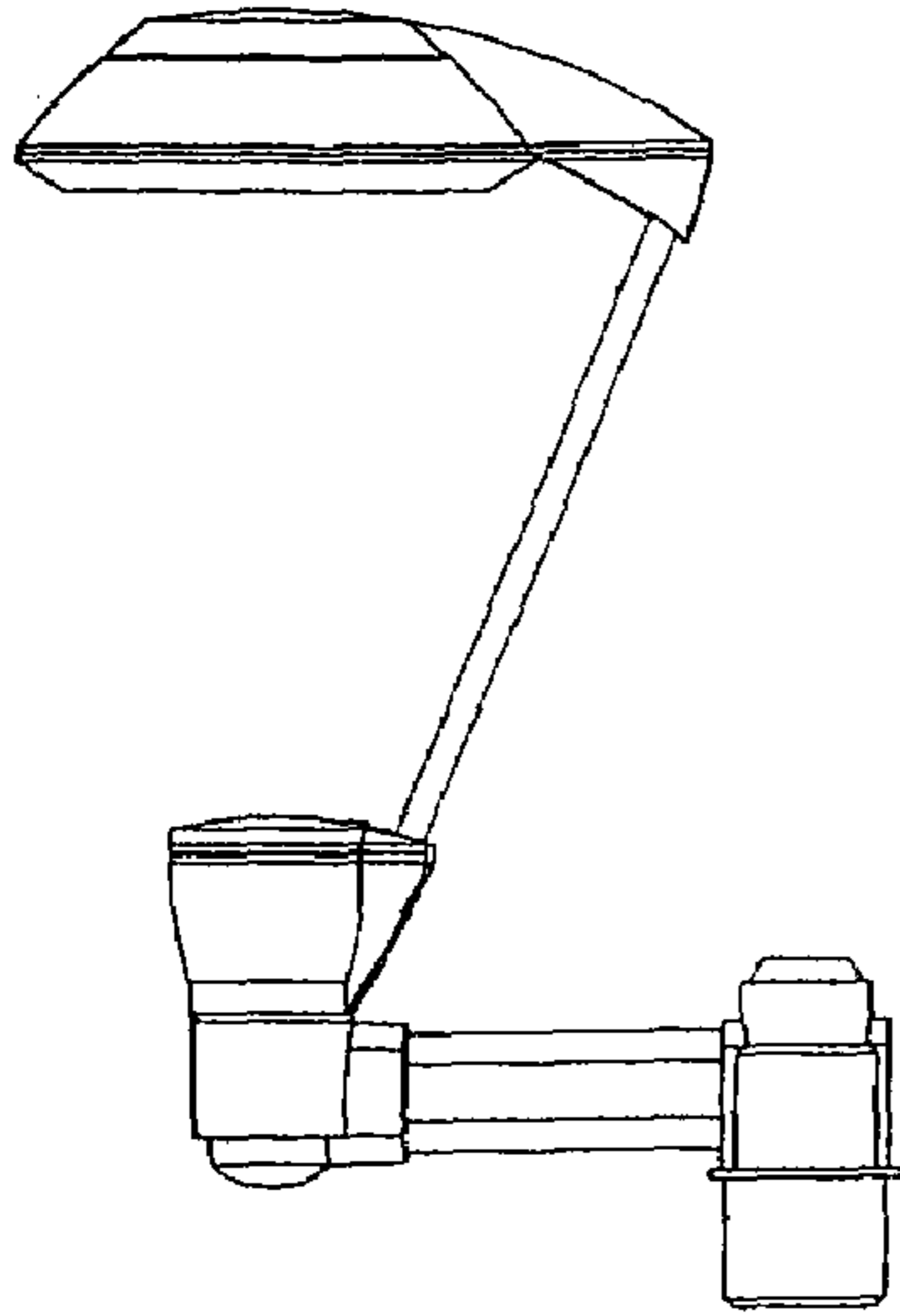


FIG. 17

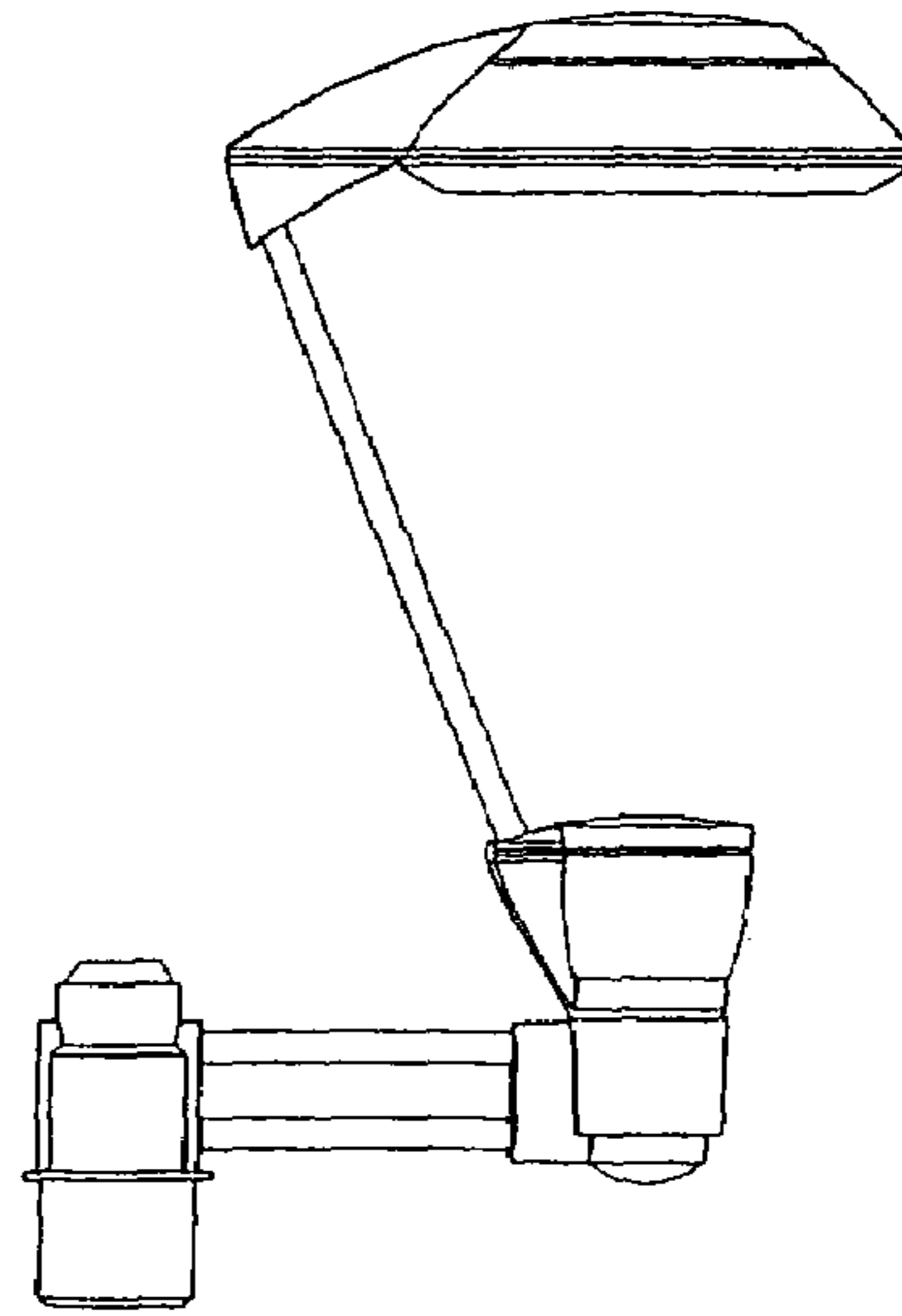


FIG. 18

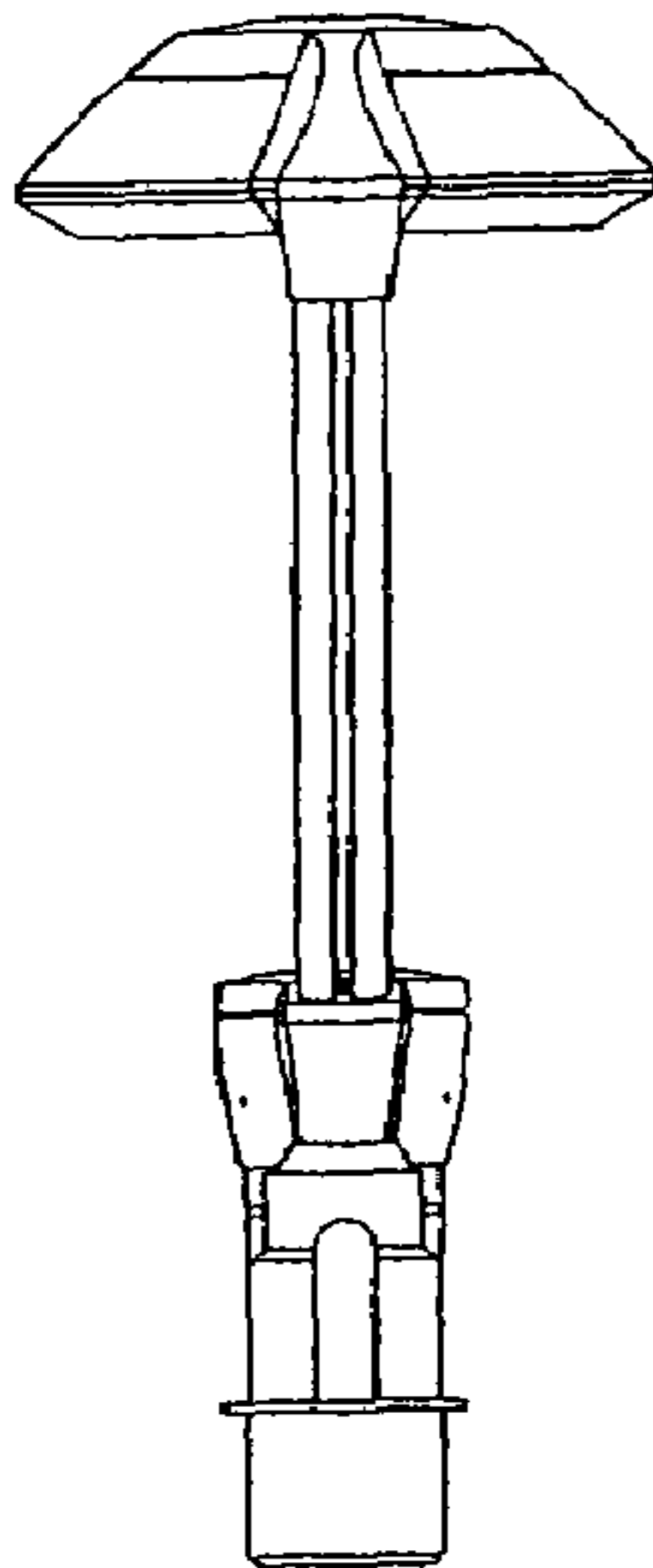


FIG. 19

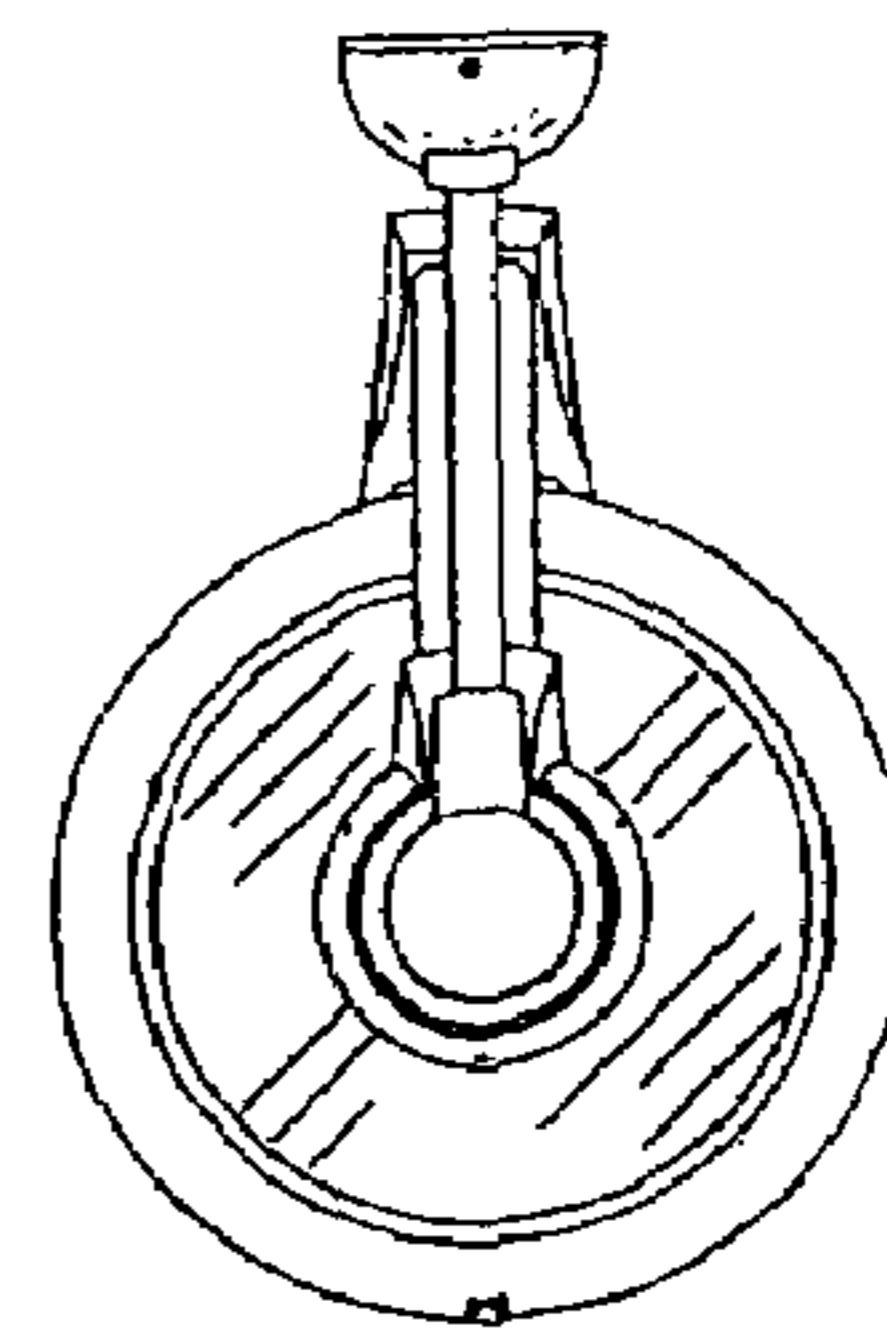


FIG. 20

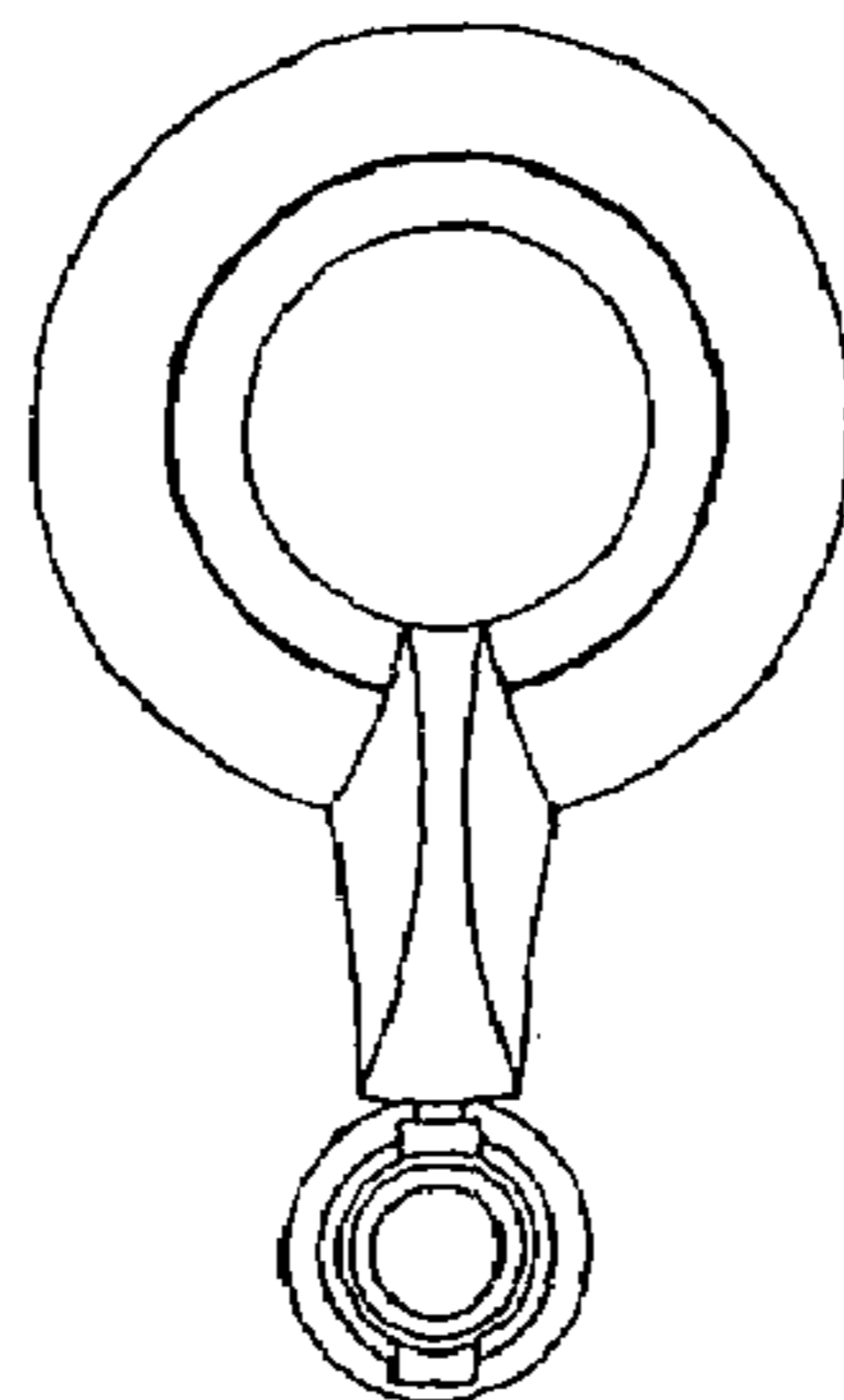


FIG. 21

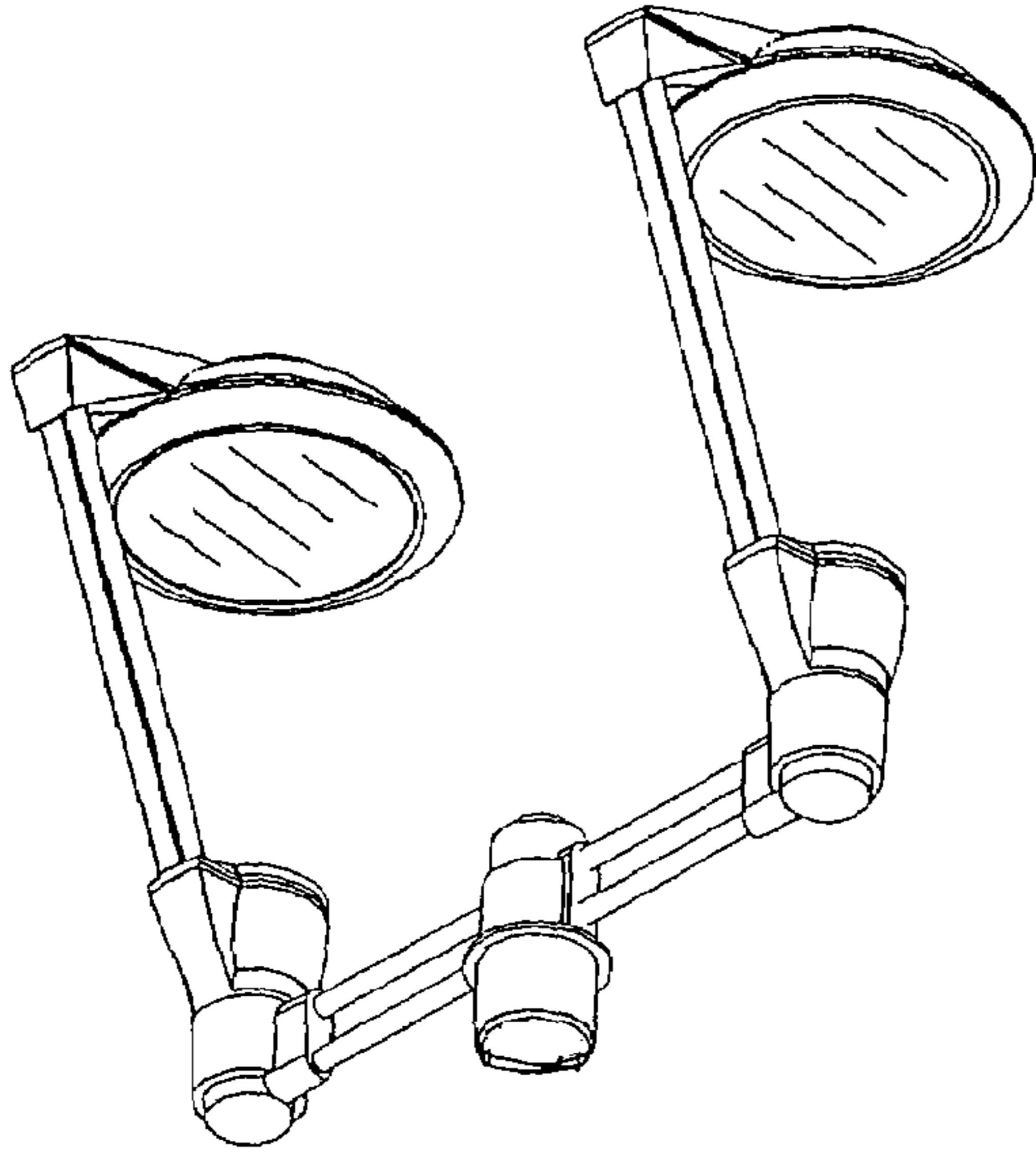


FIG. 22

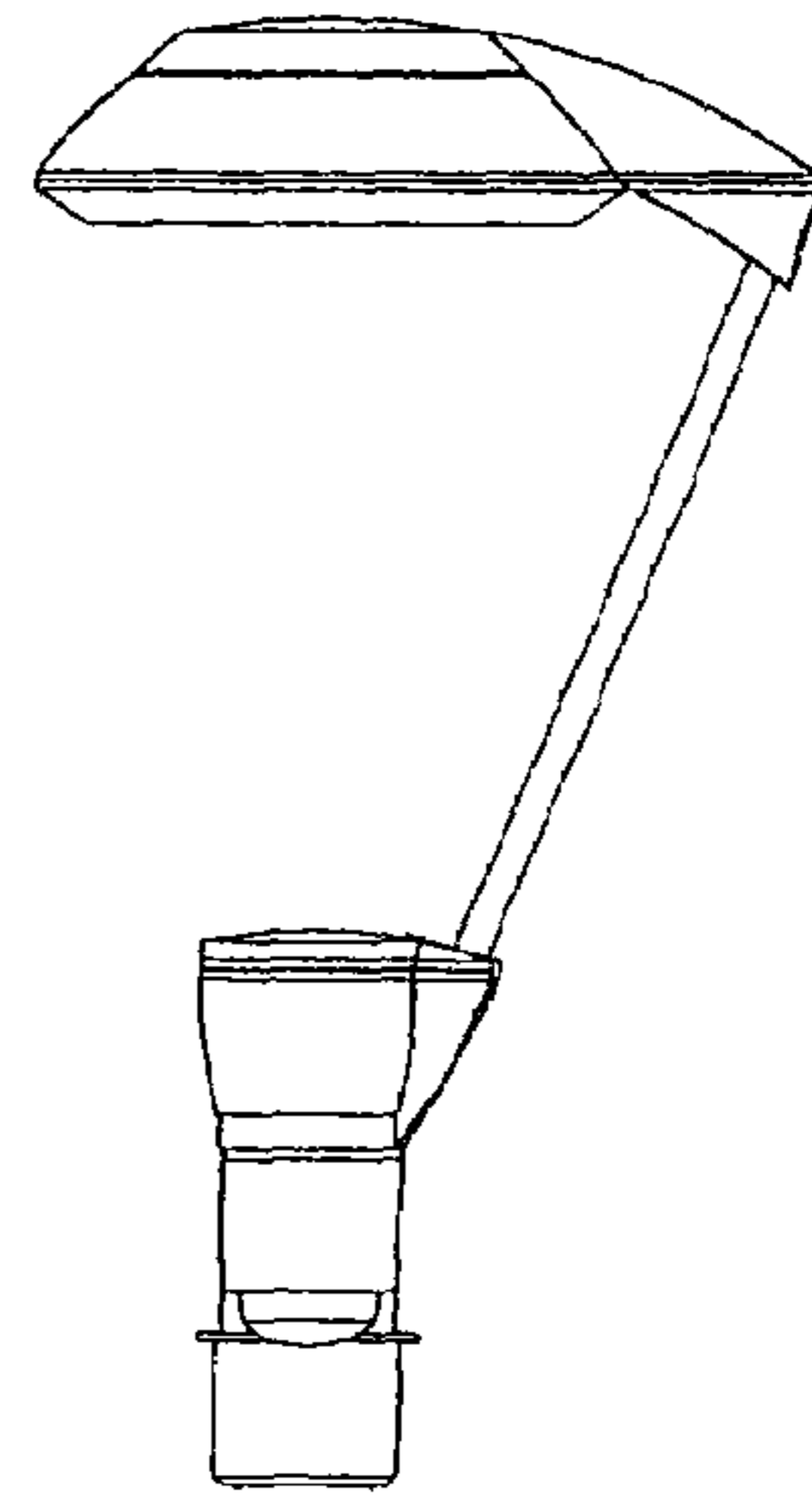


FIG. 24

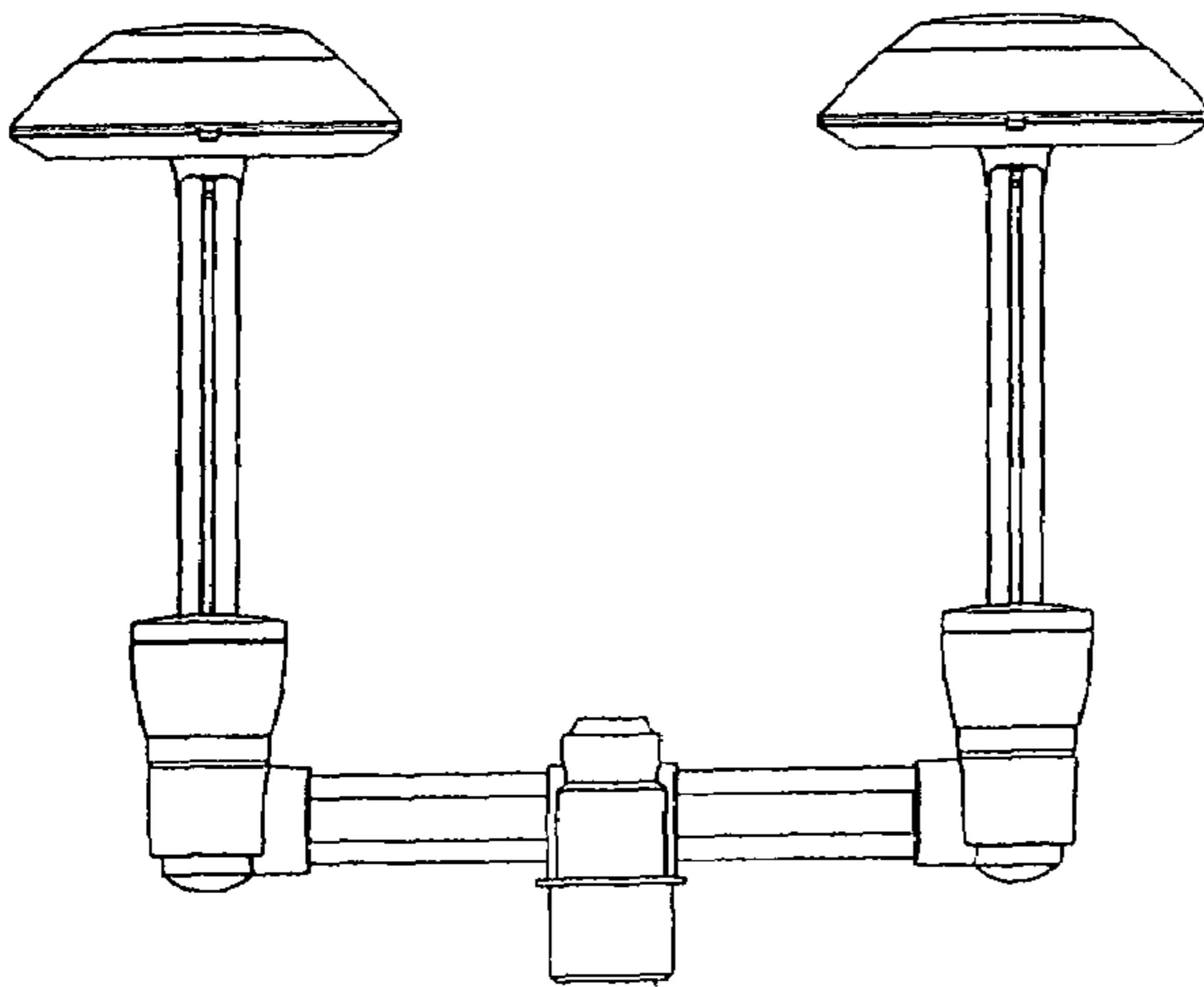


FIG. 23

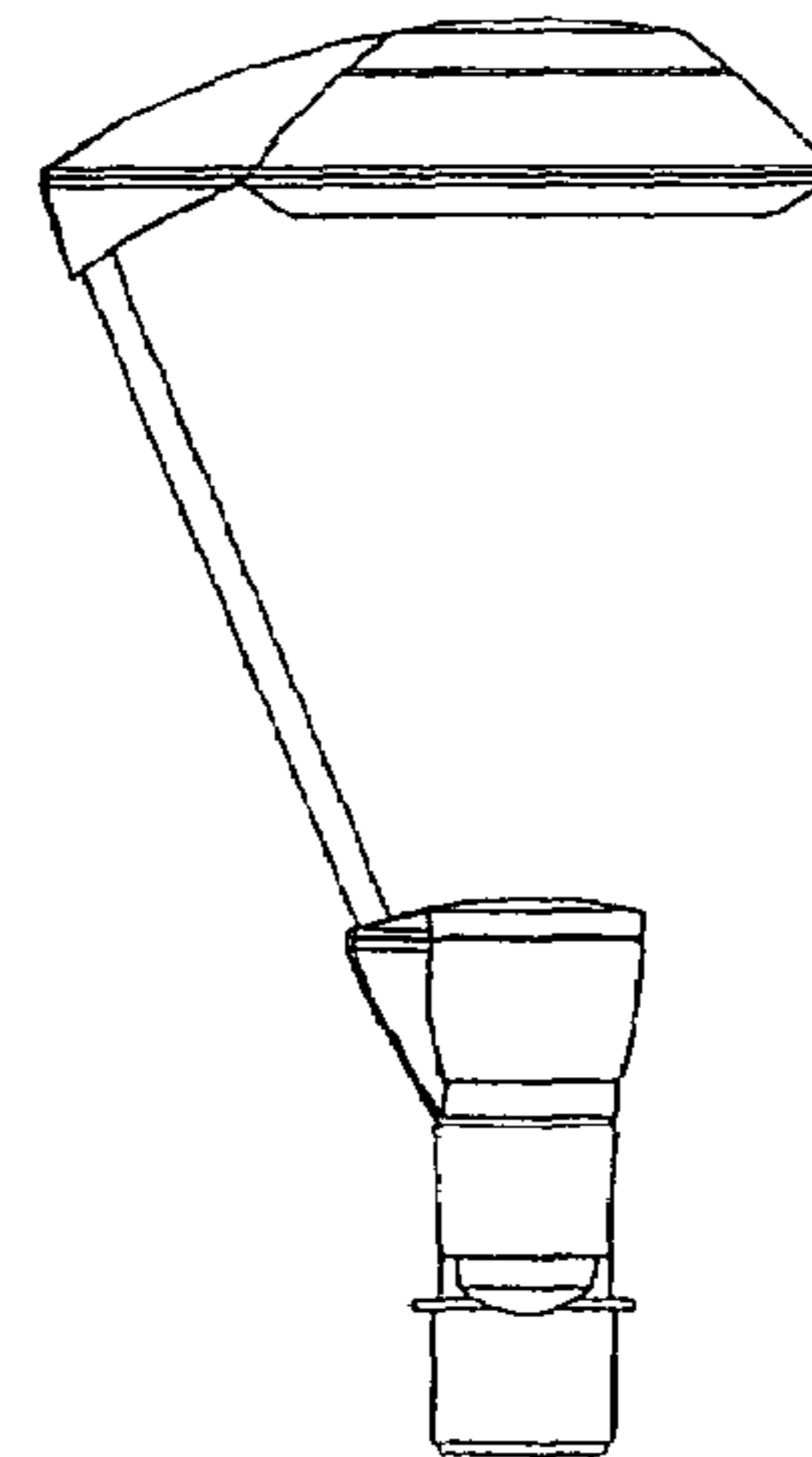


FIG. 25



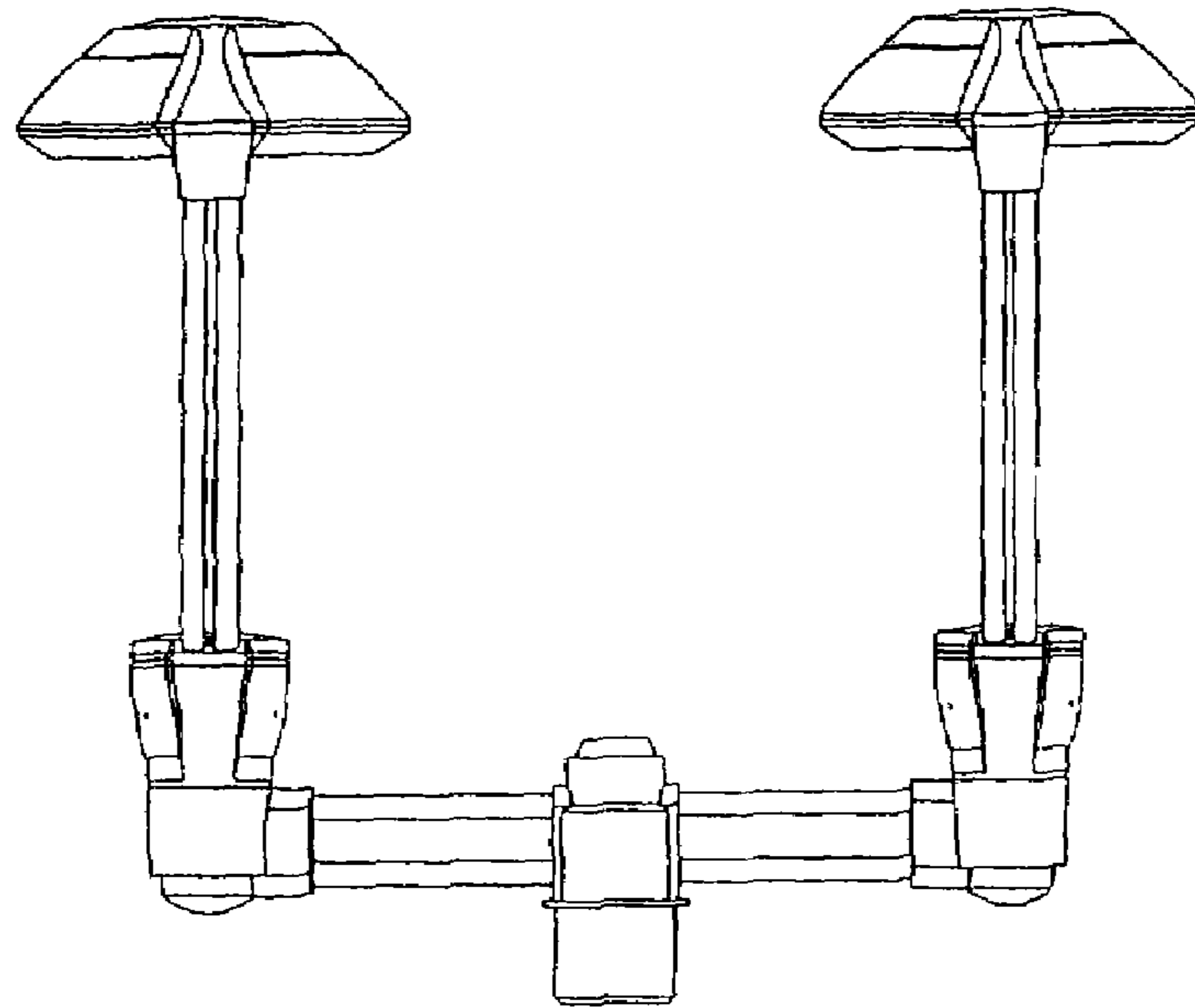


FIG. 26

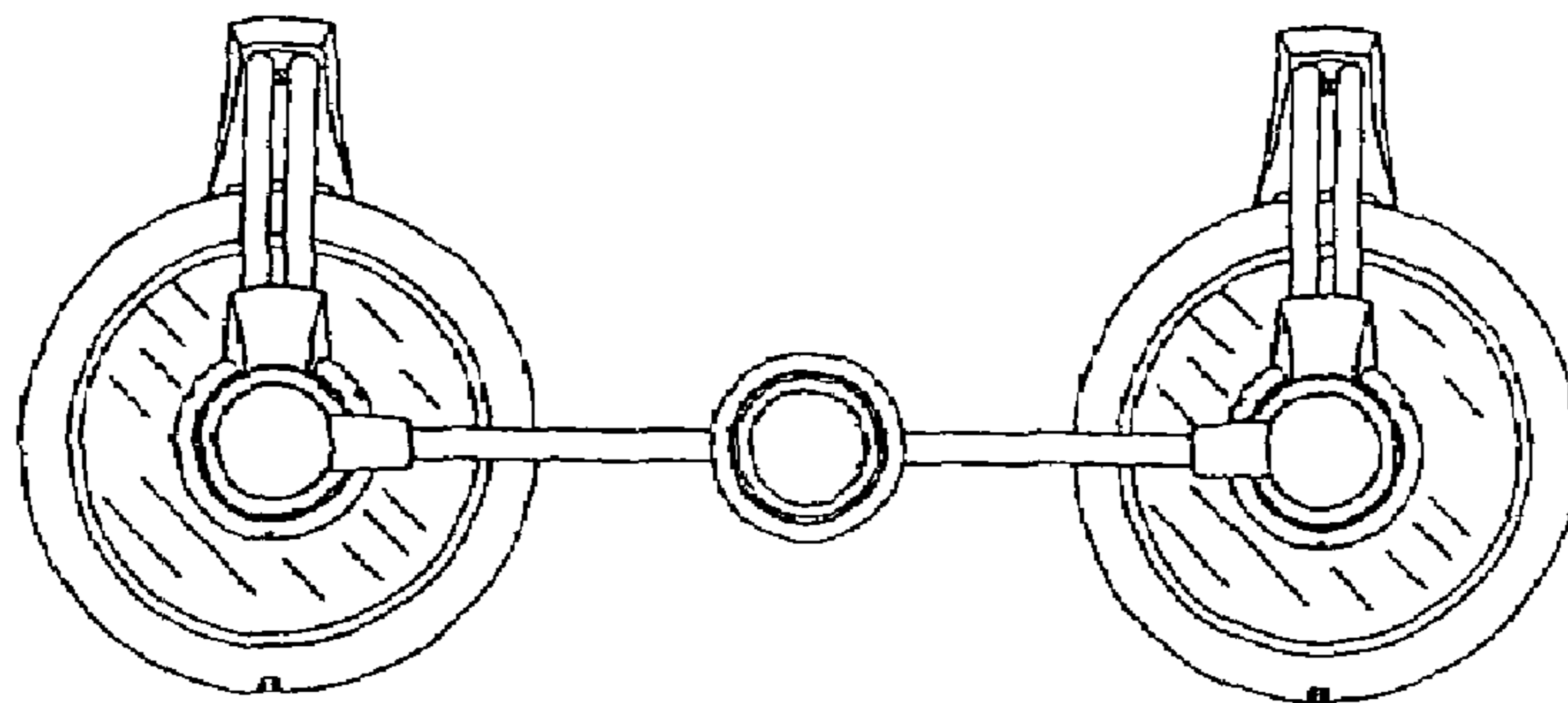


FIG. 27

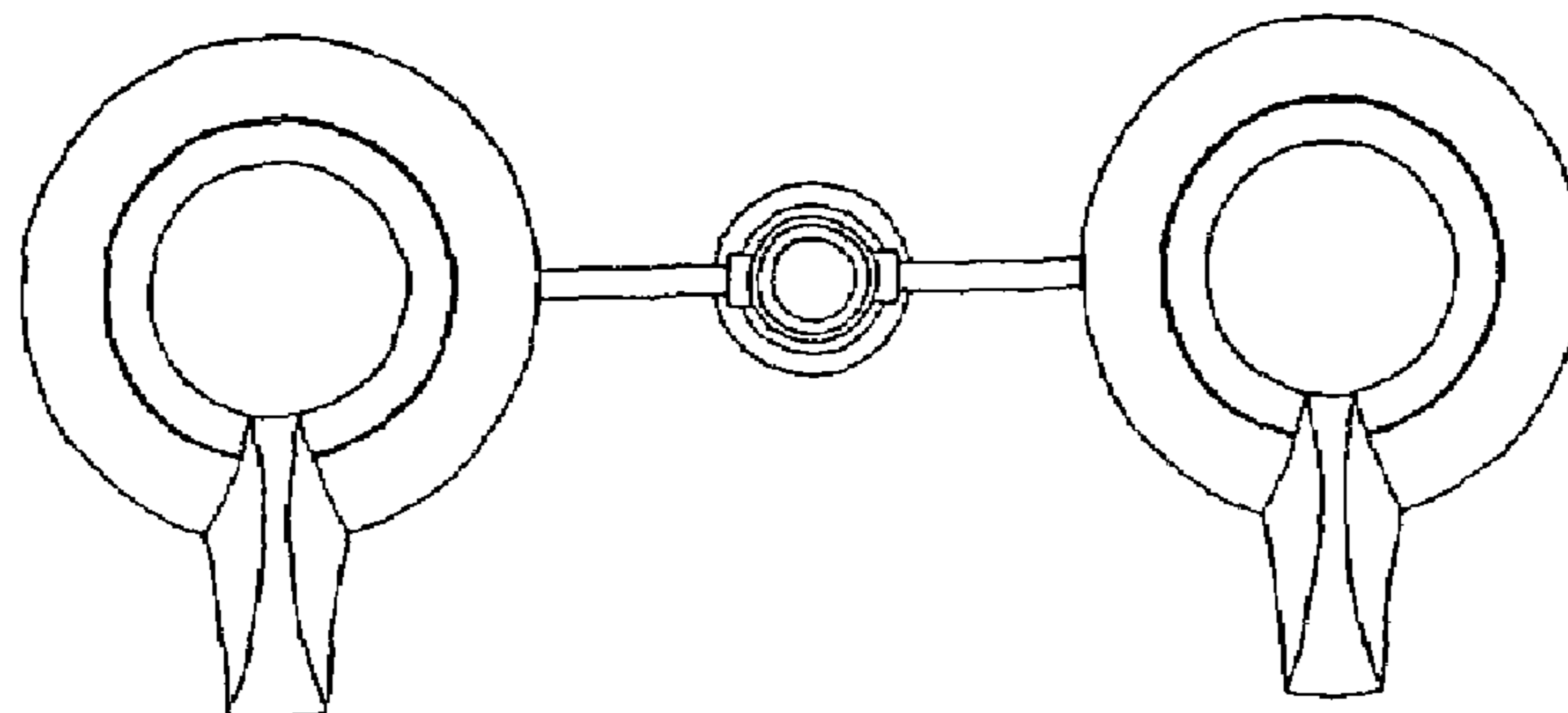


FIG. 28