



US00D563015S

(12) **United States Design Patent**
Lee et al.

(10) **Patent No.:** **US D563,015 S**
(45) **Date of Patent:** **** Feb. 26, 2008**

(54) **SOLAR-POWERED OUTDOOR LIGHT**

(75) Inventors: **Po Sum Lee**, Hong Kong (CN); **Wai Wah Chung**, Hong Kong (CN); **Kevin Kelley**, Frisco, TX (US)

(73) Assignee: **The Brinkmann Corporation**, Dallas, TX (US)

(**) Term: **14 Years**

(21) Appl. No.: **29/286,926**

(22) Filed: **May 21, 2007**

(51) **LOC (8) Cl.** **26-05**

(52) **U.S. Cl.** **D26/67**

(58) **Field of Classification Search** D26/67,
D26/68, 72, 85, 87, 92; 362/152, 157, 180,
362/183, 185, 186, 431
See application file for complete search history.

(56) **References Cited**

U.S. PATENT DOCUMENTS

3,015,720	A	*	1/1962	Silverman	362/431
D227,925	S	*	7/1973	Husby et al.	D26/67
D333,189	S		2/1993	Hall et al.		
D445,937	S	*	7/2001	Sanoner	D26/68
D463,606	S	*	9/2002	Orozco	D26/87
D465,873	S	*	11/2002	De'Armond	D26/92
D469,559	S	*	1/2003	Chang	D26/67

D481,819	S		11/2003	Cheong et al.		
D495,084	S		8/2004	Hon et al.		
D497,684	S	*	10/2004	Hon et al.	D26/67
D508,581	S		8/2005	Cheong et al.		
D553,284	S	*	10/2007	Bucher et al.	D26/67

* cited by examiner

Primary Examiner—Clare E Heflin

(74) *Attorney, Agent, or Firm*—Sheppard, Mullin, Richter & Hampton LLP

(57) **CLAIM**

We claim the ornamental design for a solar-powered outdoor light, as shown and described.

DESCRIPTION

FIG. 1 is a perspective view of a solar-powered outdoor light showing the new design;

FIG. 2 is a front elevational view thereof;

FIG. 3 is a rear elevational view thereof;

FIG. 4 is a left side elevational view thereof;

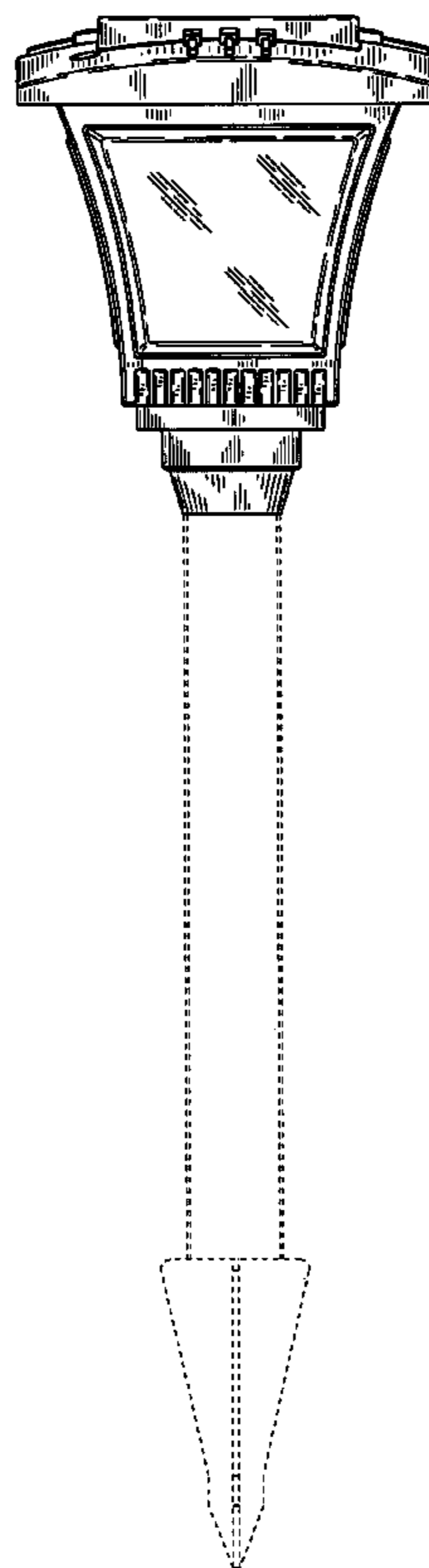
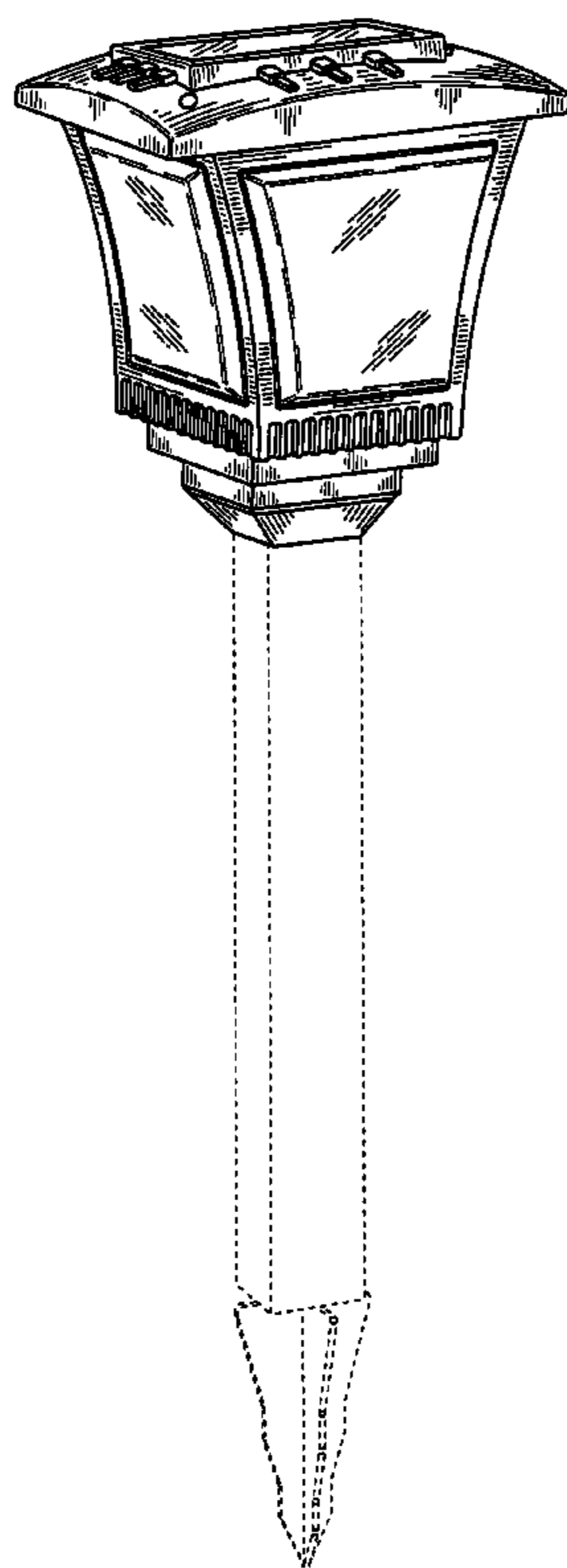
FIG. 5 is a right side elevational view thereof;

FIG. 6 is a top plan view thereof; and,

FIG. 7 is a bottom plan view thereof.

The dotted lines are for illustrative purposes only and form no part of the claimed design.

1 Claim, 4 Drawing Sheets



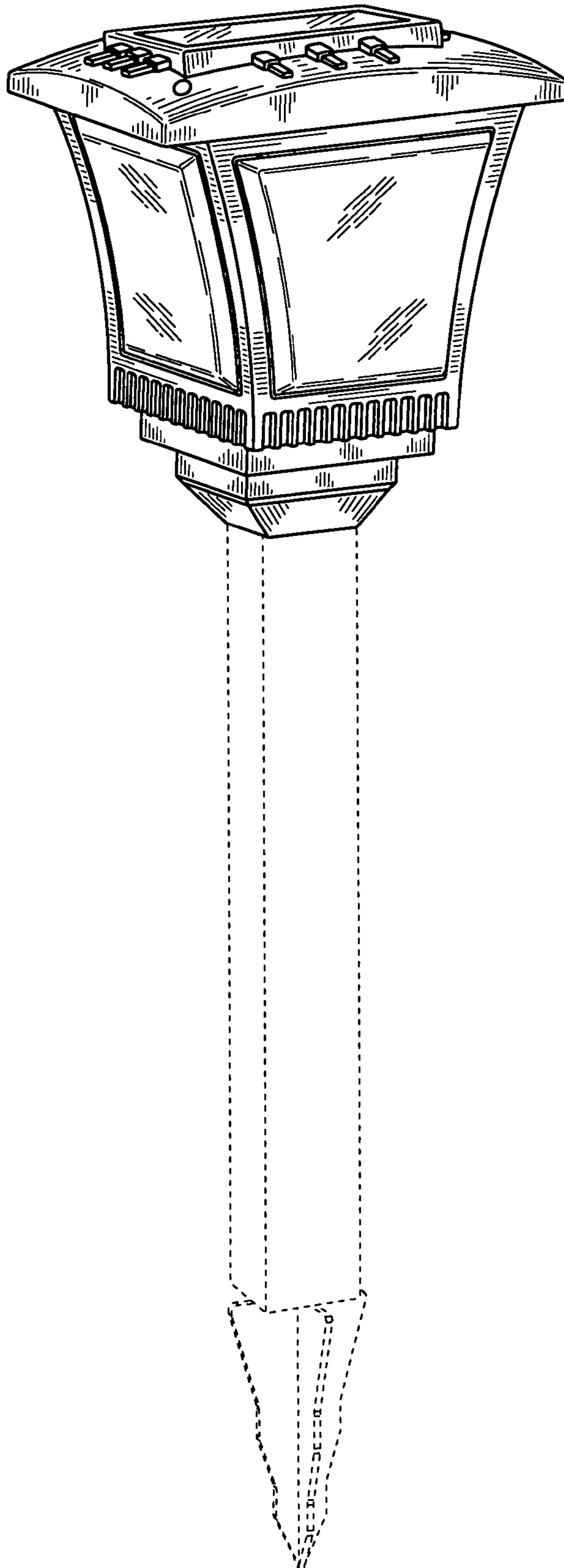


FIG. 1

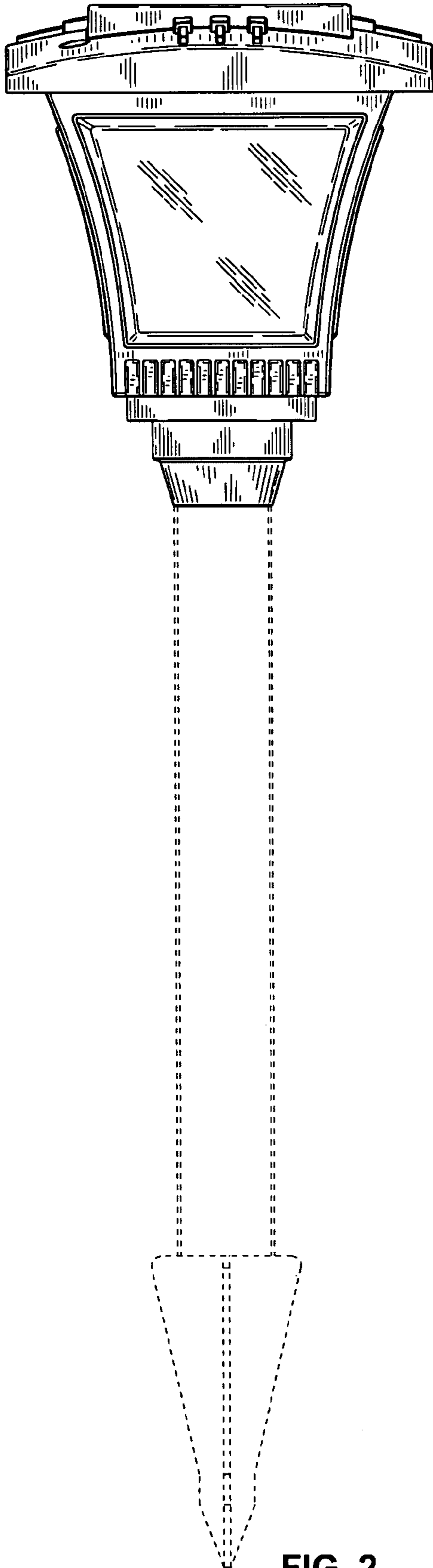


FIG. 2

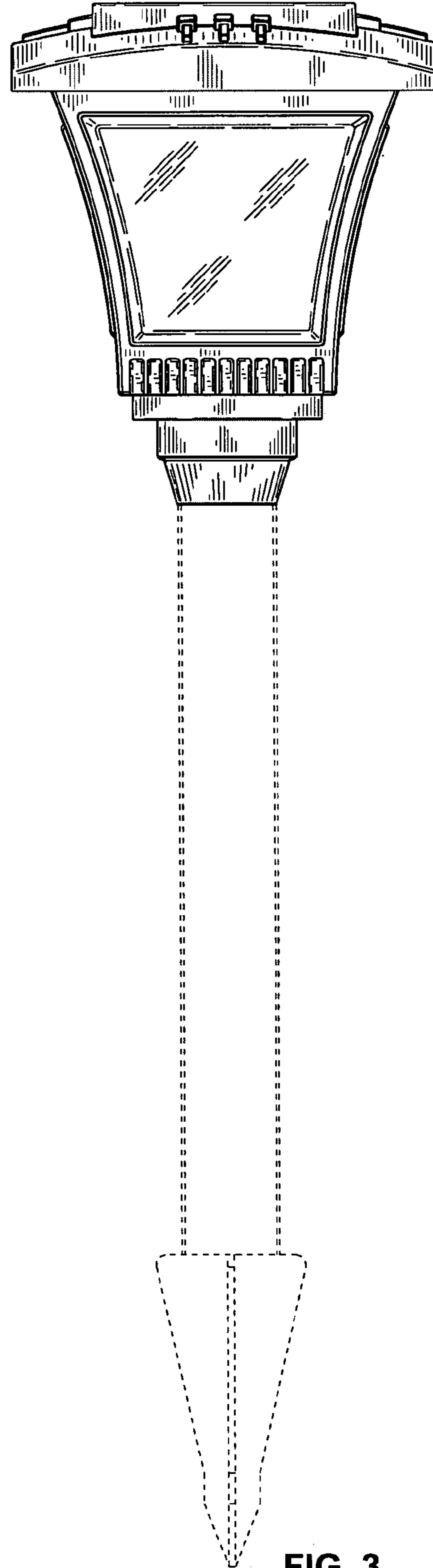


FIG. 3

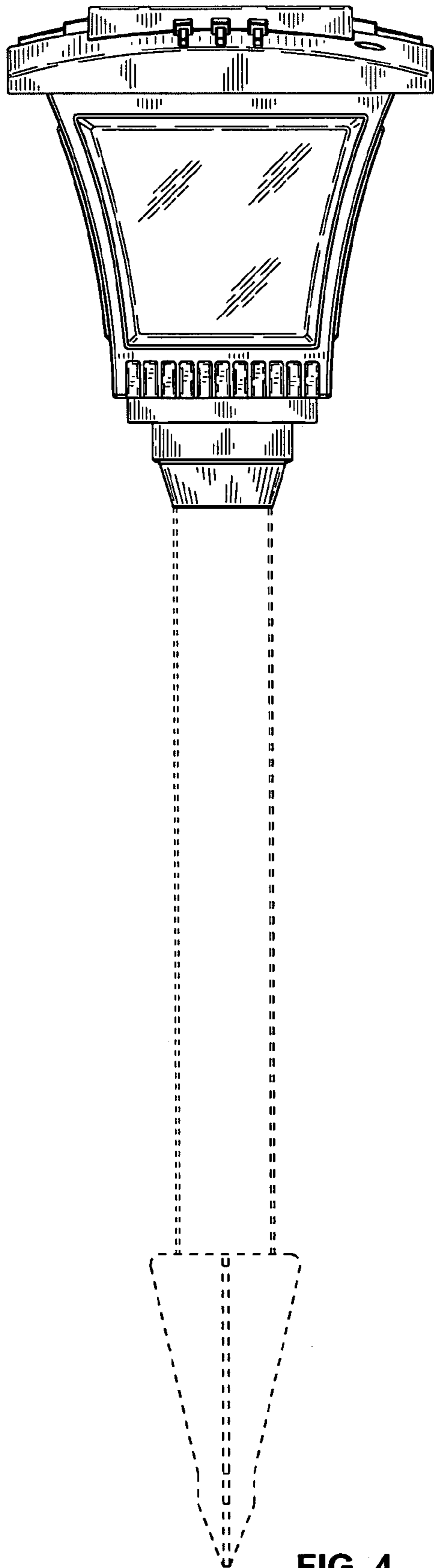


FIG. 4

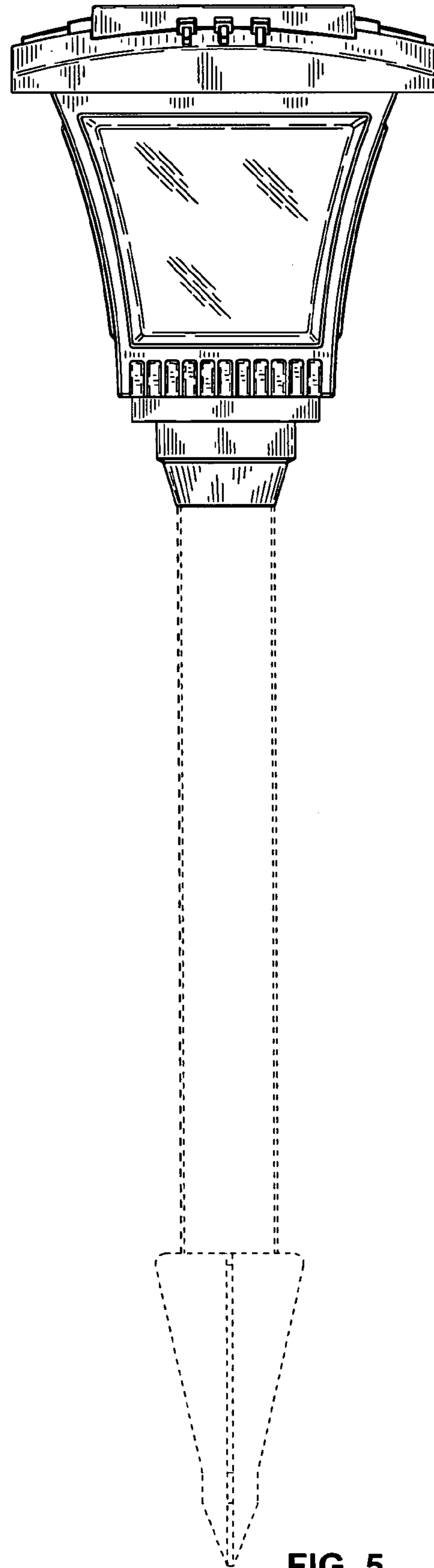


FIG. 5

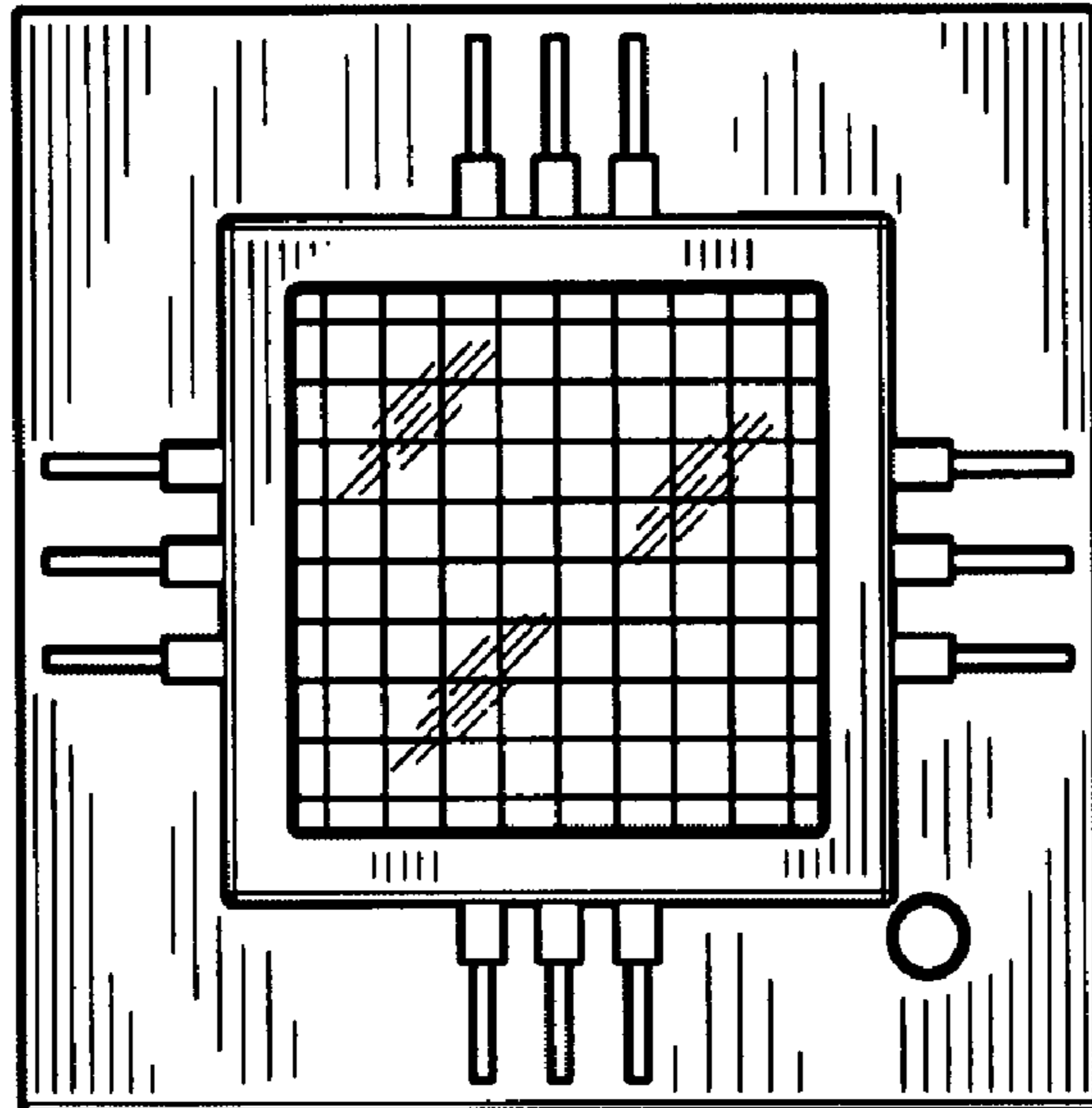


FIG. 6

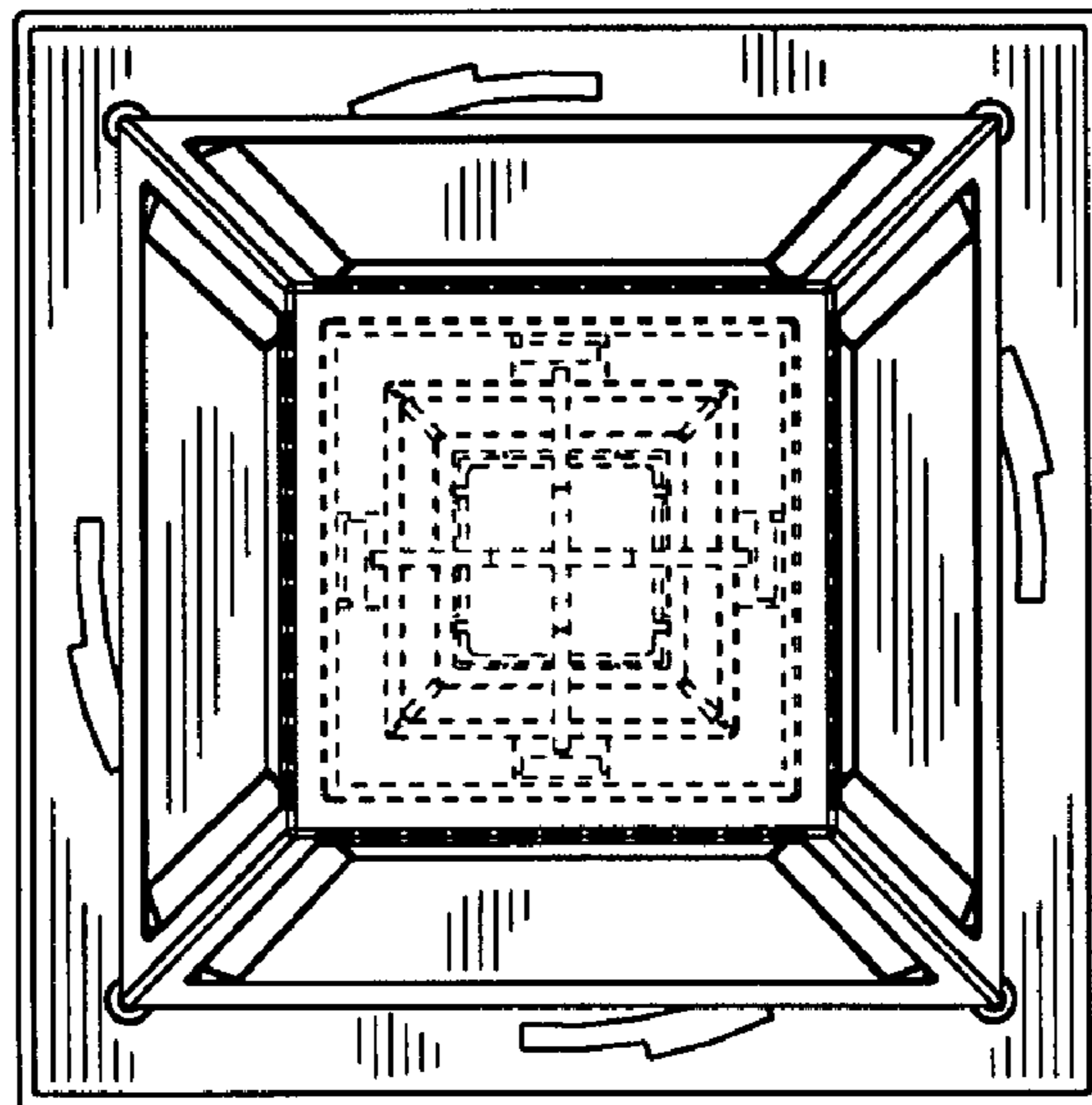


FIG. 7