



US00D563014S

(12) **United States Design Patent**  
**Levine**

(10) **Patent No.:** **US D563,014 S**  
(45) **Date of Patent:** **\*\* Feb. 26, 2008**

(54) **LIGHTING DEVICE**

2003/0179572 A1 9/2003 Schnell  
2006/0050519 A1 3/2006 Lin

(76) Inventor: **Jonathan E. Levine**, 419 Park Ave.,  
South, Suite 505, New York, NY (US)  
10016

(\*\*) Term: **14 Years**

(21) Appl. No.: **29/281,046**

(22) Filed: **Jun. 13, 2007**

(51) **LOC (8) Cl.** ..... **26-05**

(52) **U.S. Cl.** ..... **D26/63**

(58) **Field of Classification Search** ..... D26/60-66,  
D26/107; D24/210; 362/99, 191, 269, 270,  
362/275, 281-287, 396, 410-414, 418, 419,  
362/427, 428

See application file for complete search history.

(56) **References Cited**

**U.S. PATENT DOCUMENTS**

4,494,177	A	1/1985	Matthews	
D278,461	S *	4/1985	Pepall	D24/210
D290,294	S *	6/1987	Sano et al.	D26/63
D290,884	S *	7/1987	Sano et al.	D26/65
D327,334	S *	6/1992	Parker	D26/65
5,169,226	A *	12/1992	Friedman	362/190
5,265,000	A	11/1993	Lin	
5,595,436	A	1/1997	Way, Jr. et al.	
D397,478	S *	8/1998	Booty, Jr.	D26/65
5,871,274	A	2/1999	Lee et al.	
D408,567	S *	4/1999	Coe	D26/60
5,934,787	A	8/1999	Sharma	
D423,130	S *	4/2000	Kung	D26/60
6,206,541	B1	3/2001	Landamia	
6,390,652	B1	5/2002	Echito	
6,588,920	B2	7/2003	Agro	
6,955,442	B1 *	10/2005	Chan	362/99
D523,984	S *	6/2006	Cai	D26/61
D526,433	S *	8/2006	Li	D26/60
D542,457	S *	5/2007	Fisherman et al.	D26/66

**OTHER PUBLICATIONS**

“Fulcrum 113311-301 Flyweight Travel Booklight,” <http://www.amazon.com/Fulcrum-113311-301-Flyweight-Travel-Booklight/dp/B0006JN7XC>, visited Aug. 17, 2007, 1 page.

“Koncept Z-Bar LED Lamp,” [http://www.konceptech.com/Merchant2/merchant.mv?Screen=PROD&Store\\_Code=K&Product\\_Code=LL3001-MBK](http://www.konceptech.com/Merchant2/merchant.mv?Screen=PROD&Store_Code=K&Product_Code=LL3001-MBK), visited Jan. 27, 2007, 1 page.

\* cited by examiner

*Primary Examiner*—Cathron Brooks

*Assistant Examiner*—Barbara Fox

(74) *Attorney, Agent, or Firm*—Theodore W. Baker

(57) **CLAIM**

I claim the ornamental design for a lighting device, as shown and described.

**DESCRIPTION**

FIG. 1 is a perspective view of a lighting device showing my new design, as viewed from the top and one side.

FIG. 2 is a front end elevation view of the lighting device of FIG. 1.

FIG. 3 is a back end elevation view of the lighting device of FIG. 1.

FIG. 4 is a top plan view of the lighting device of FIG. 1.

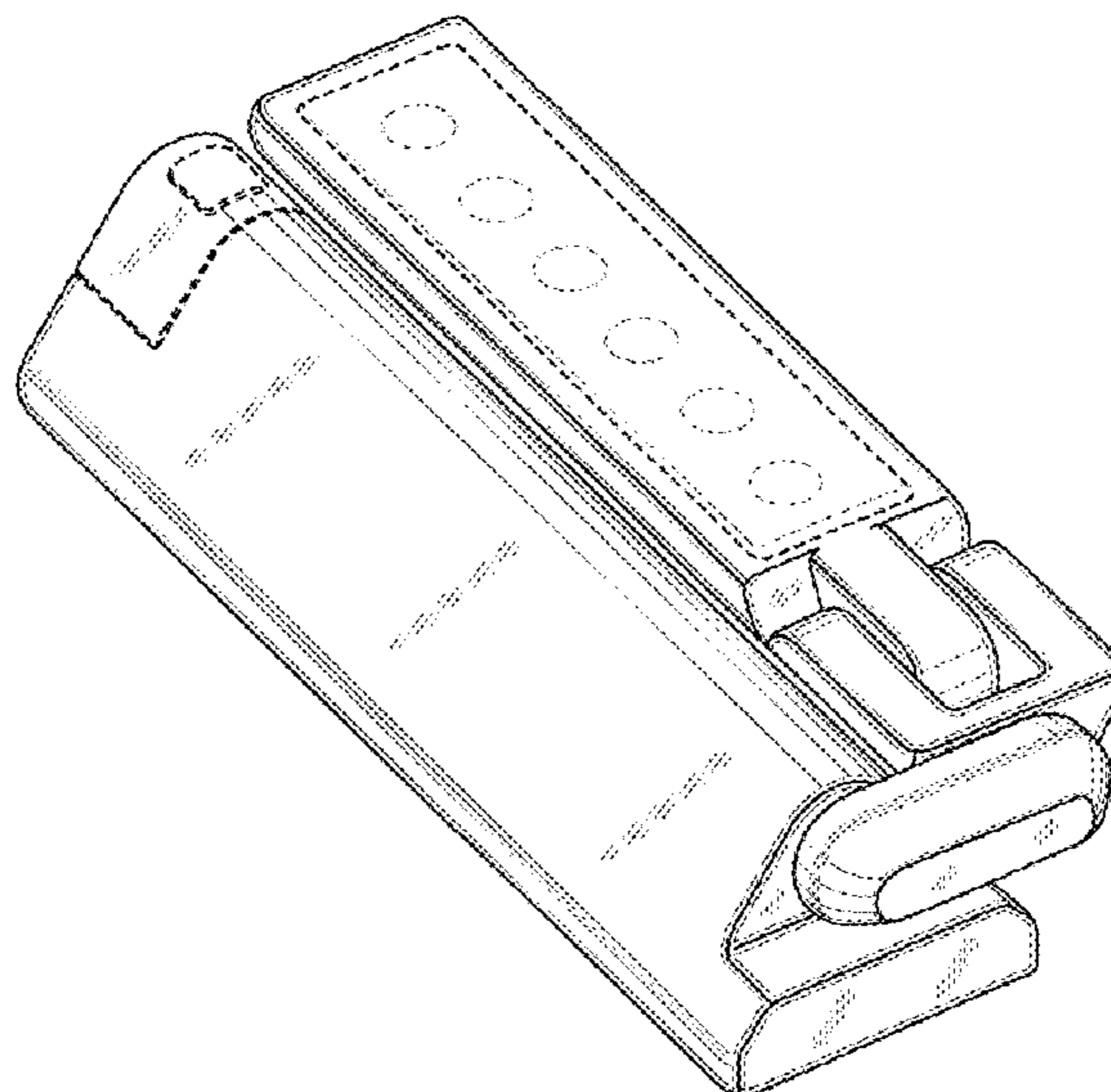
FIG. 5 is a bottom plan view of the lighting device of FIG. 1.

FIG. 6 is a right side elevation view of the lighting device of FIG. 1; and,

FIG. 7 is a left side elevation view of the lighting device of FIG. 1.

The details shown in broken lines are for illustrative purposes only and forms no part of the claimed design.

**1 Claim, 2 Drawing Sheets**



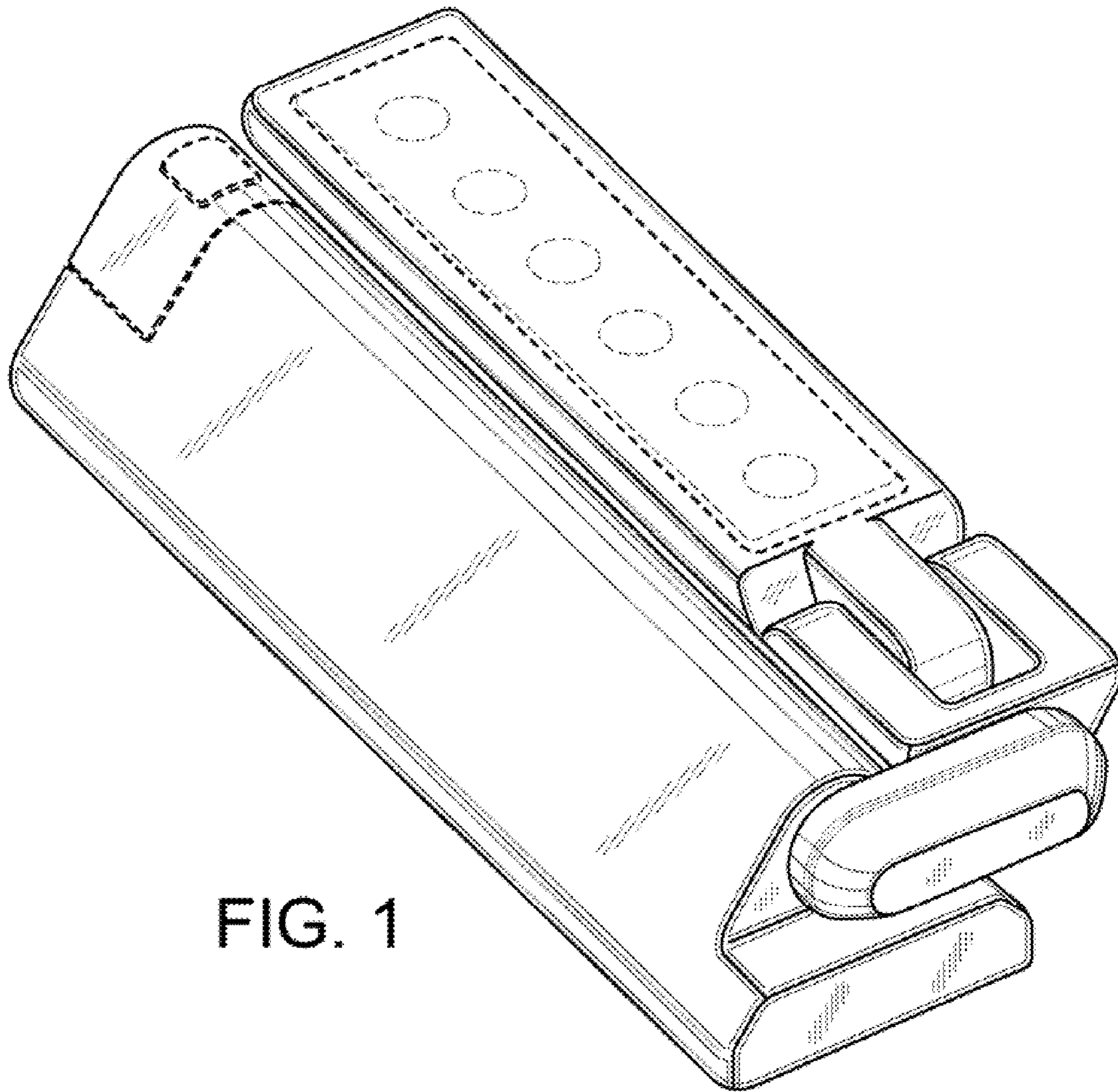


FIG. 1

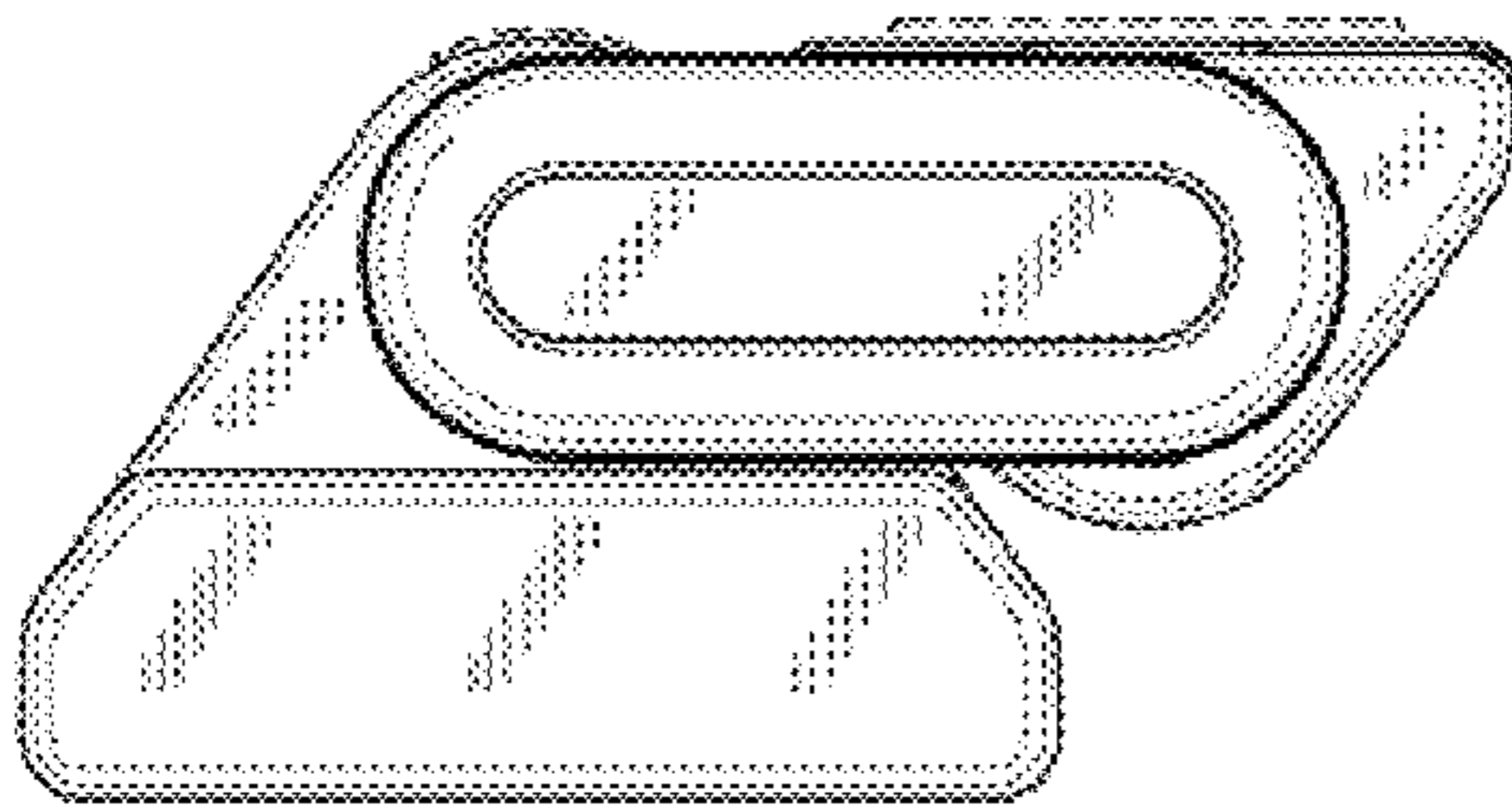


FIG. 2

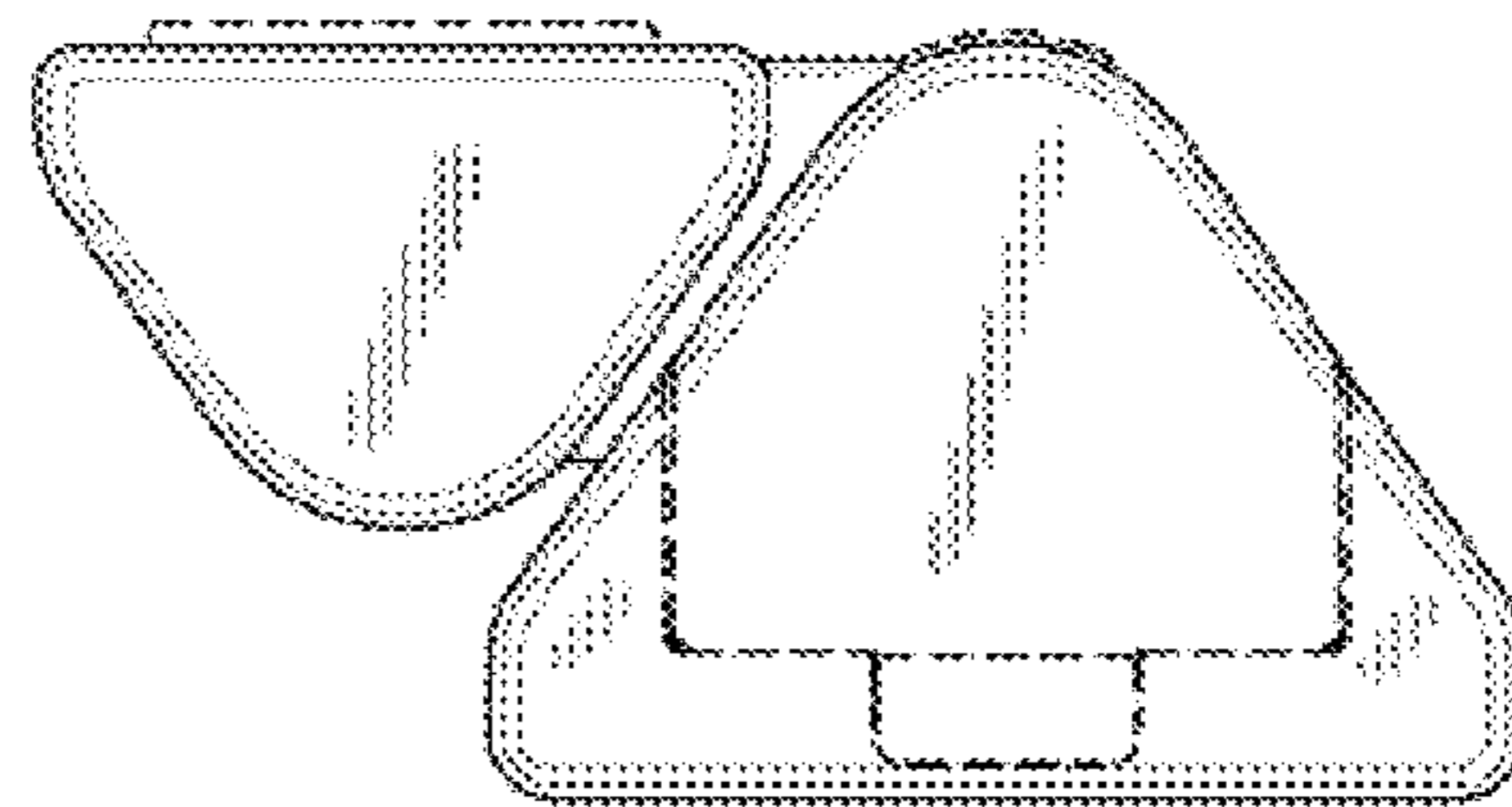


FIG. 3

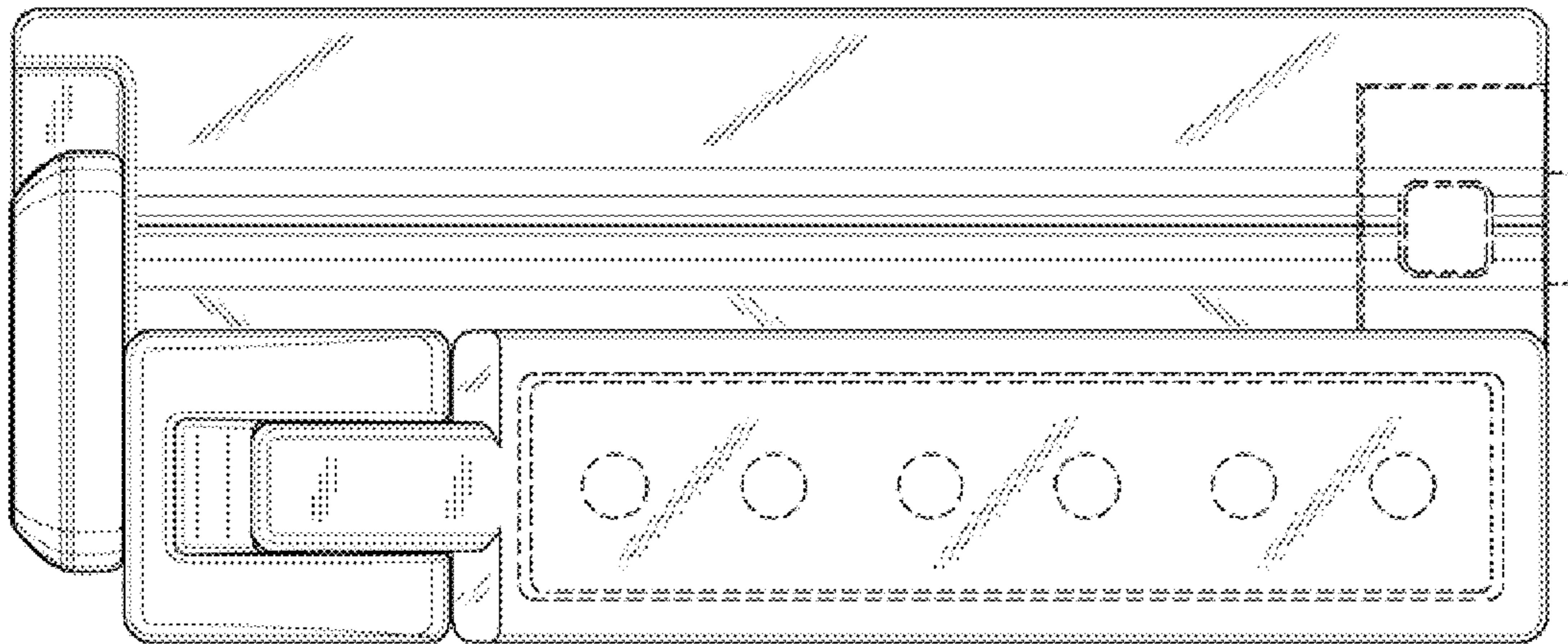


FIG. 4

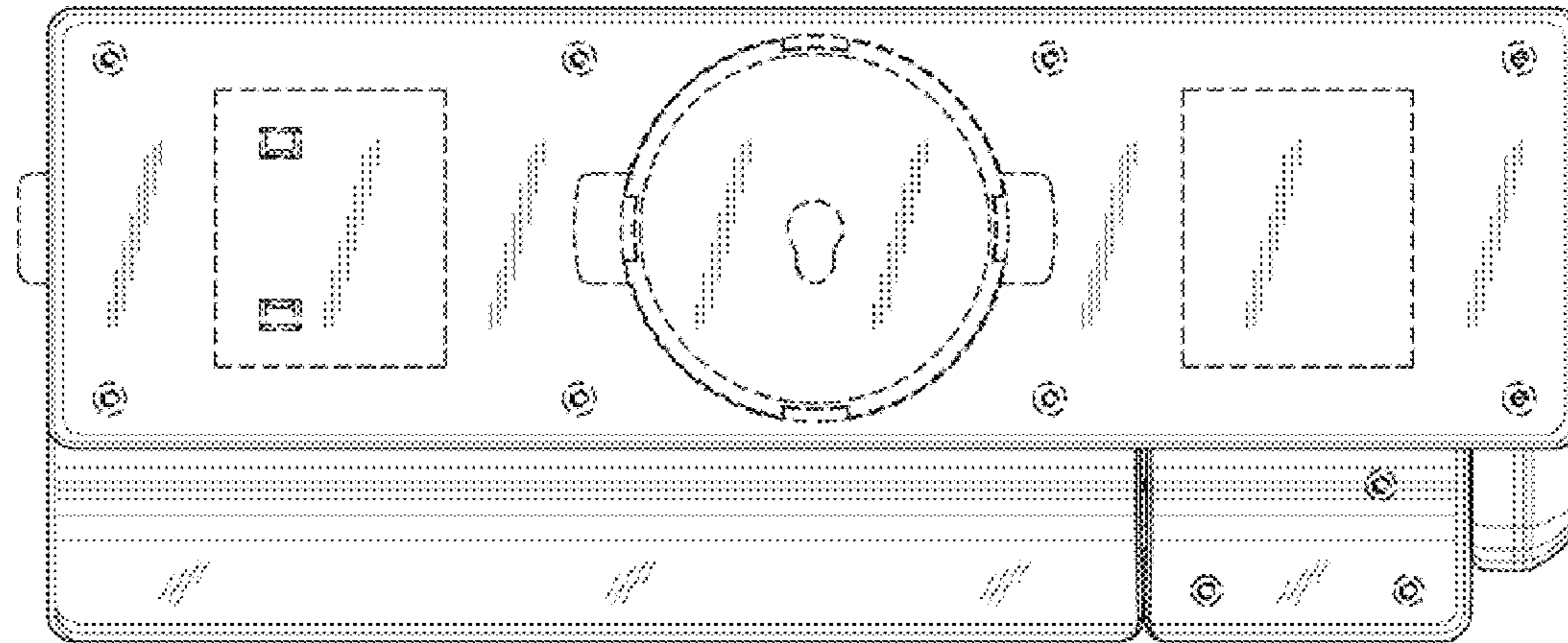


FIG. 5

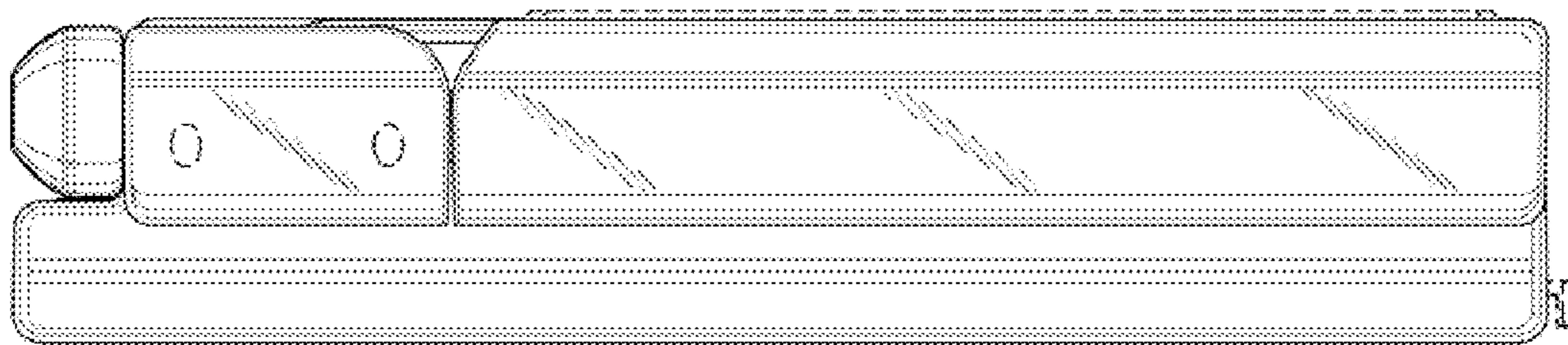


FIG. 6

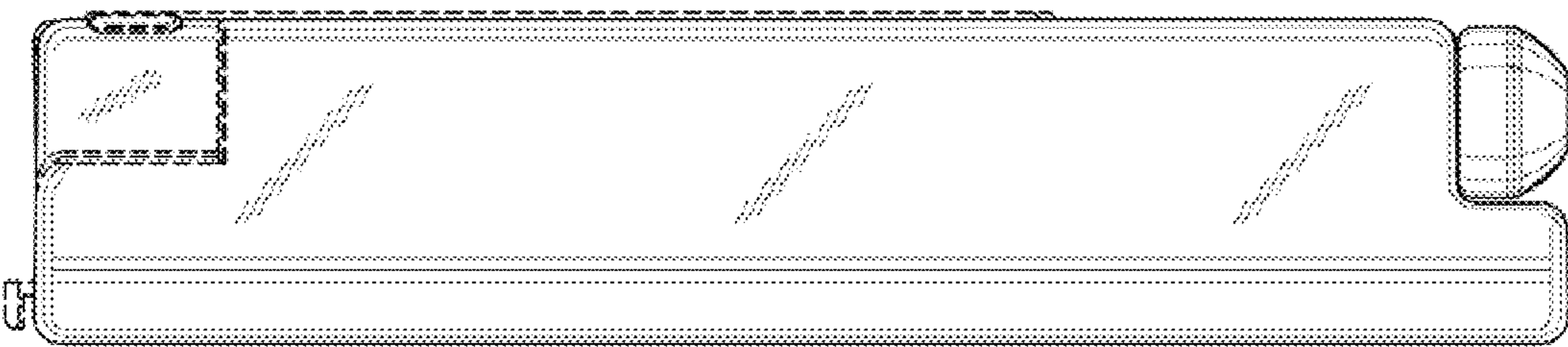


FIG. 7