



US00D563010S

(12) **United States Design Patent**
Pickett

(10) **Patent No.:** **US D563,010 S**

(45) **Date of Patent:** **** Feb. 26, 2008**

(54) **CEILING FAN LIGHT FIXTURE**

(76) **Inventor:** **Mark Pickett**, 1419 E. Palm St.,
Altadena, CA (US) 91001

(**) **Term:** **14 Years**

(21) **Appl. No.:** **29/279,494**

(22) **Filed:** **May 2, 2007**

(51) **LOC (8) Cl.** **26-05**

(52) **U.S. Cl.** **D26/59**

(58) **Field of Classification Search** D23/411,
D23/377, 379, 385; D26/59, 51, 72, 81-86,
D26/88; 416/5; 362/96

See application file for complete search history.

(56) **References Cited**

U.S. PATENT DOCUMENTS

D520,632 S * 5/2006 Tai D23/411
D532,139 S * 11/2006 Shurtleff D26/59

* cited by examiner

Primary Examiner—Lisa Lichtenstein

(74) *Attorney, Agent, or Firm*—Parsons & Goltry; Michael
W. Goltry; Robert A. Parsons

(57) **CLAIM**

The ornamental design for a ceiling fan light fixture, as
shown and described.

DESCRIPTION

FIG. 1 is a bottom perspective view of a ceiling fan light
fixture showing my new design;

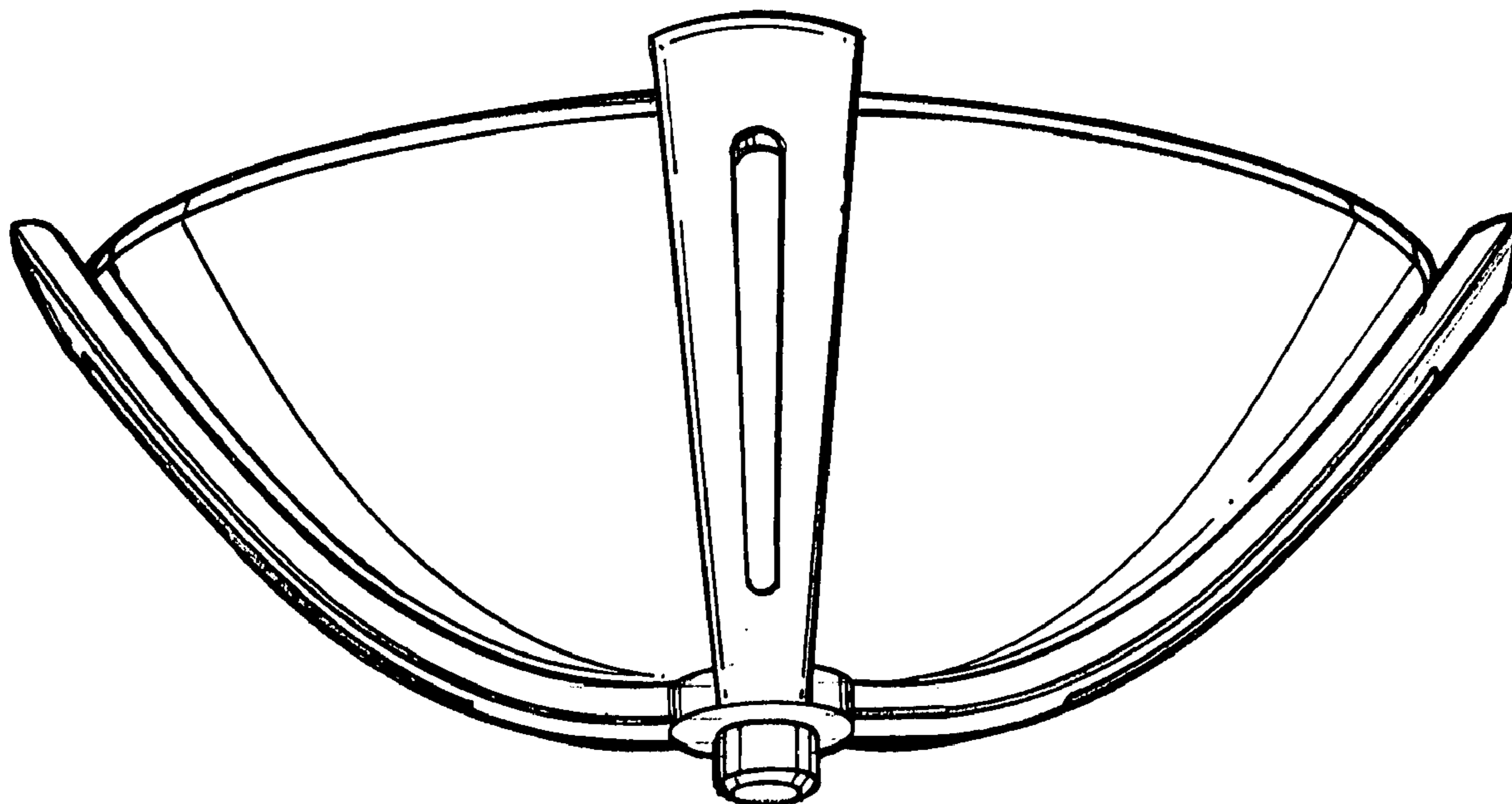
FIG. 2 is a top perspective view thereof;

FIG. 3 is front elevational view thereof, the rear elevational
view thereof, the left side elevational view thereof, and the
right side elevational view thereof being substantially the
same thereof;

FIG. 4 is a bottom plan view thereof; and,

FIG. 5 is a top plan view thereof.

1 Claim, 5 Drawing Sheets



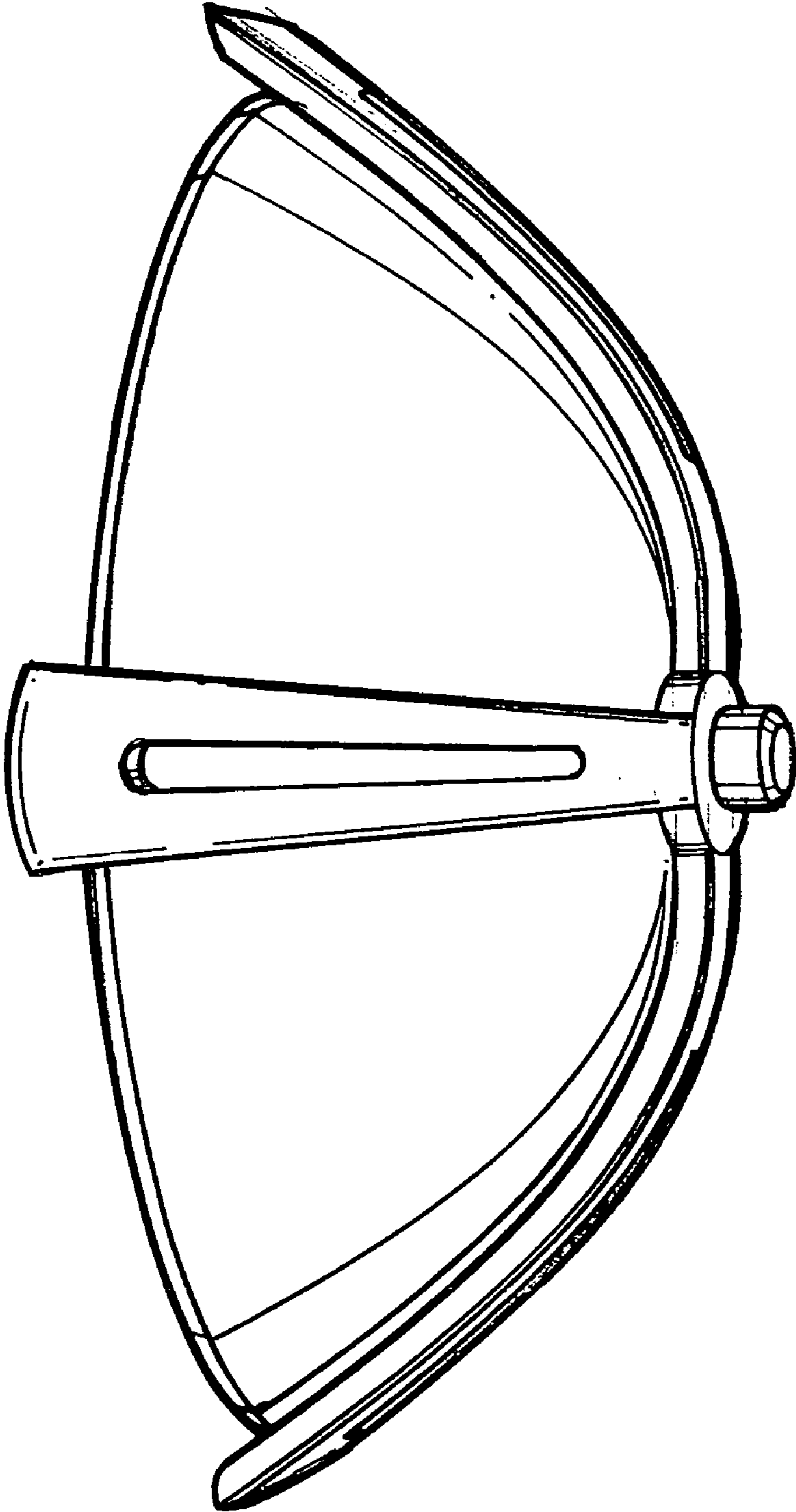


FIG. 1

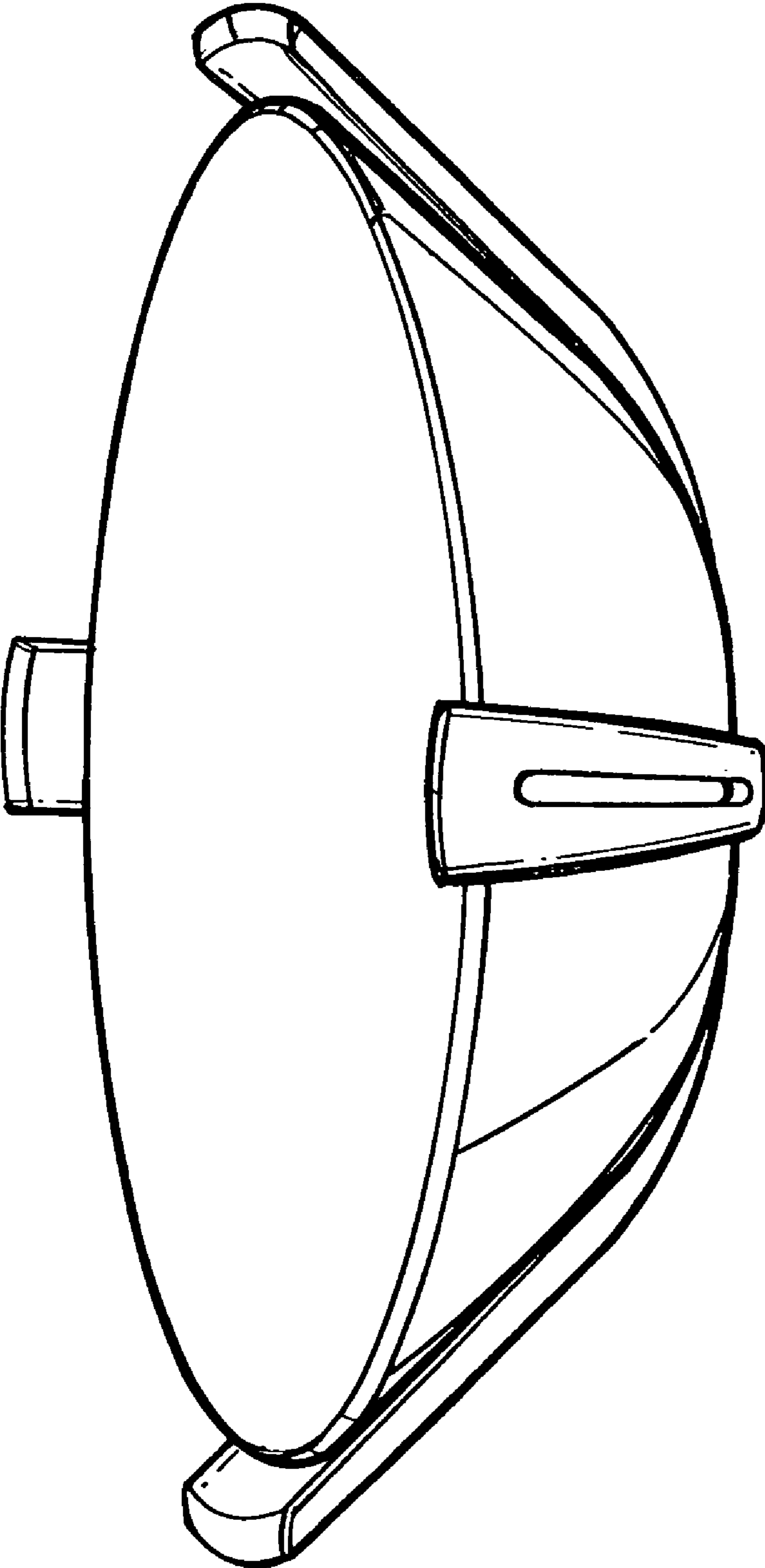


FIG.2

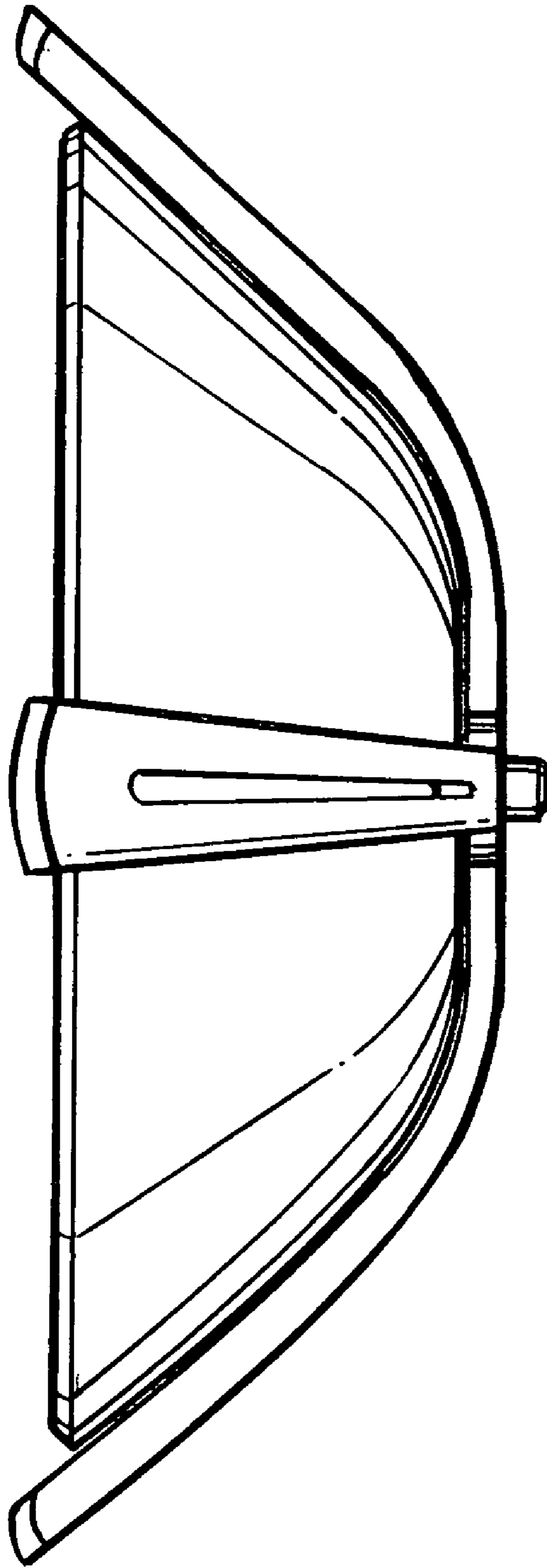


FIG.3

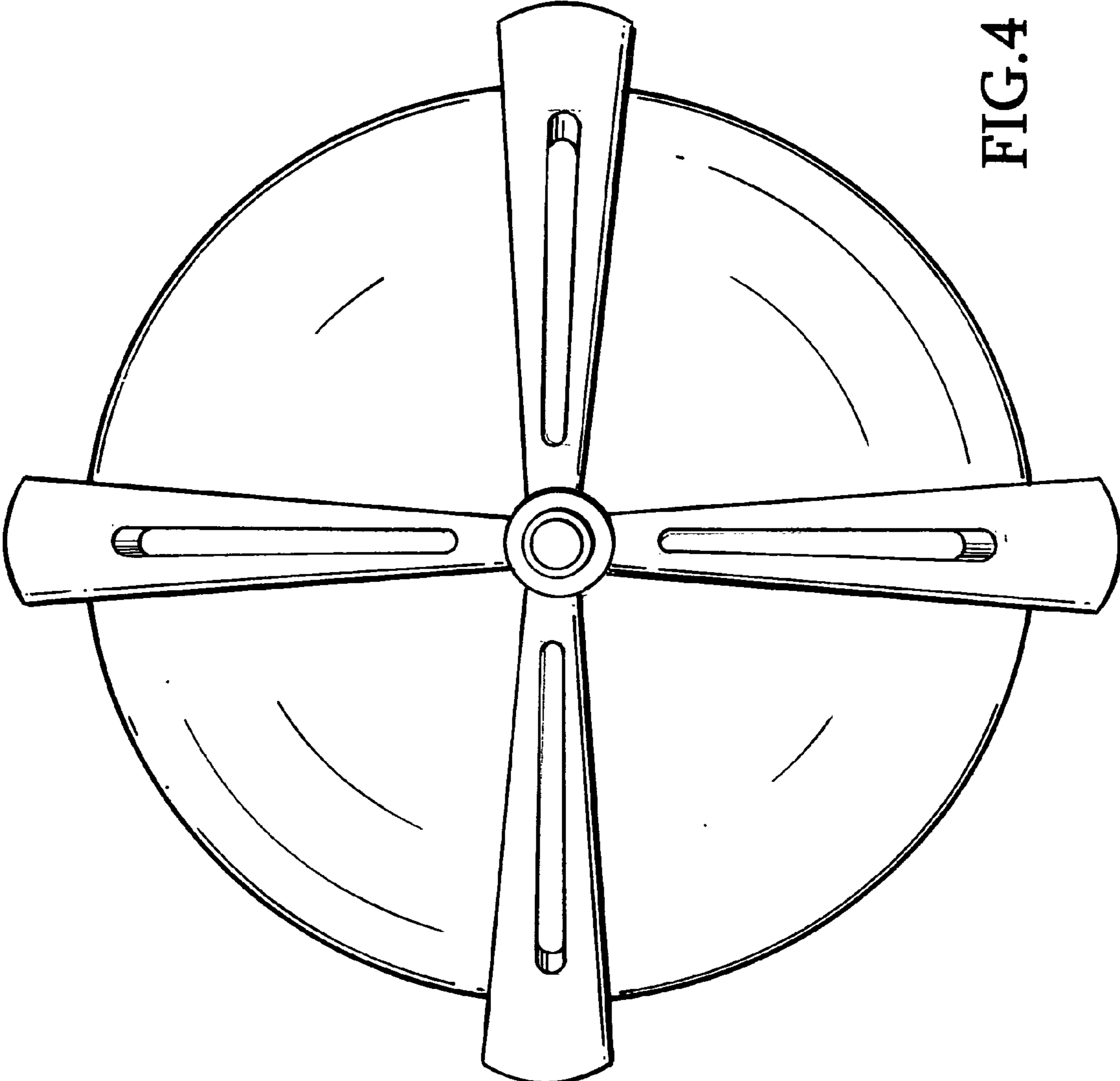


FIG. 4

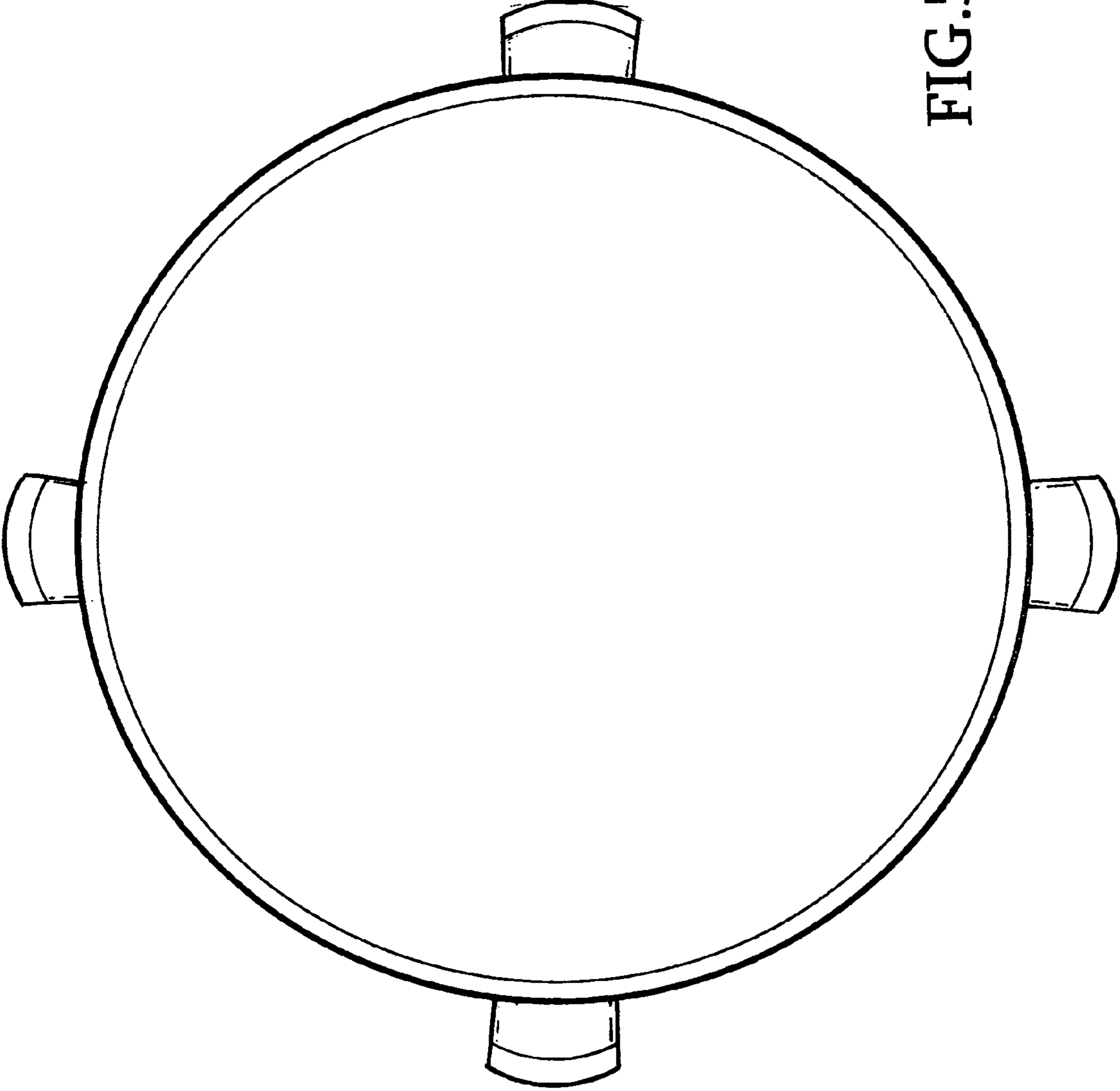


FIG.5