



US00D563008S

(12) **United States Design Patent**  
**Garrity et al.**

(10) **Patent No.:** **US D563,008 S**

(45) **Date of Patent:** **\*\* Feb. 26, 2008**

(54) **FLASHLIGHT**

D553,282 S \* 10/2007 Zhu ..... D26/49

(75) Inventors: **Kevin S. Garrity**, Madison, CT (US);  
**James Sener**, Glastonbury, CT (US)

\* cited by examiner

*Primary Examiner*—Marcus A. Jackson

(73) Assignee: **Garrity Industries, Inc.**, Madison, CT  
(US)

(74) *Attorney, Agent, or Firm*—Fitzpatrick, Cella, Harper &  
Scinto

(\*\*) Term: **14 Years**

(57) **CLAIM**

(21) Appl. No.: **29/283,895**

The ornamental design for a flashlight, as shown and  
described.

(22) Filed: **Aug. 27, 2007**

**DESCRIPTION**

(51) **LOC (8) Cl.** ..... **26-02**

FIG. 1 is a perspective view as viewed from a front direction  
of a flashlight showing my new design;

(52) **U.S. Cl.** ..... **D26/49**

FIG. 2 is a front view thereof;

(58) **Field of Classification Search** ..... D26/37-50;  
362/157, 158, 171-174, 183-208

FIG. 3 is a rear view thereof;

See application file for complete search history.

FIG. 4 is a right side view thereof, wherein the left side view  
is a mirror image of the right side view;

(56) **References Cited**

**U.S. PATENT DOCUMENTS**

FIG. 5 is a top view thereof; and,

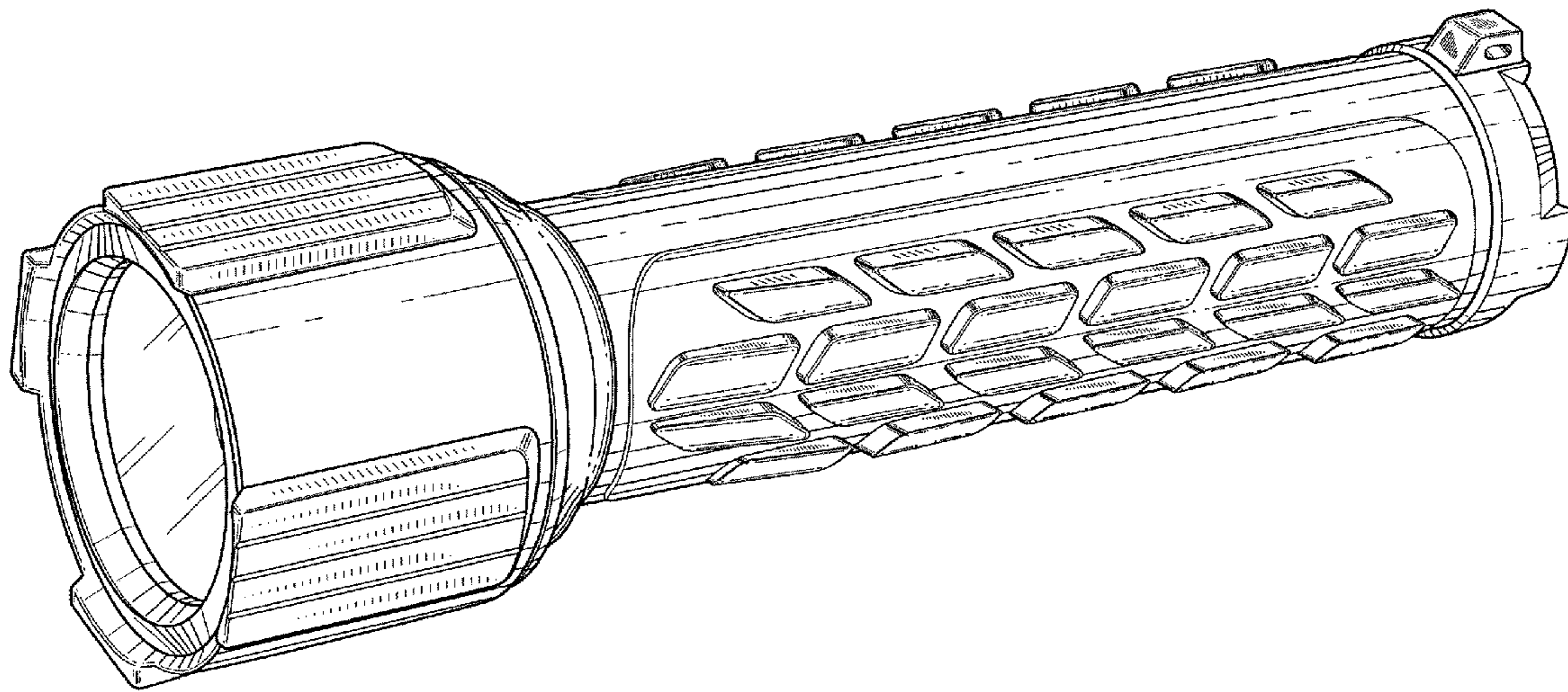
FIG. 6 is a bottom view thereof.

D433,523 S \* 11/2000 Poon ..... D26/49

D446,328 S \* 8/2001 Israel et al. .... D26/49

D545,985 S \* 7/2007 Garrity ..... D26/49

**1 Claim, 3 Drawing Sheets**



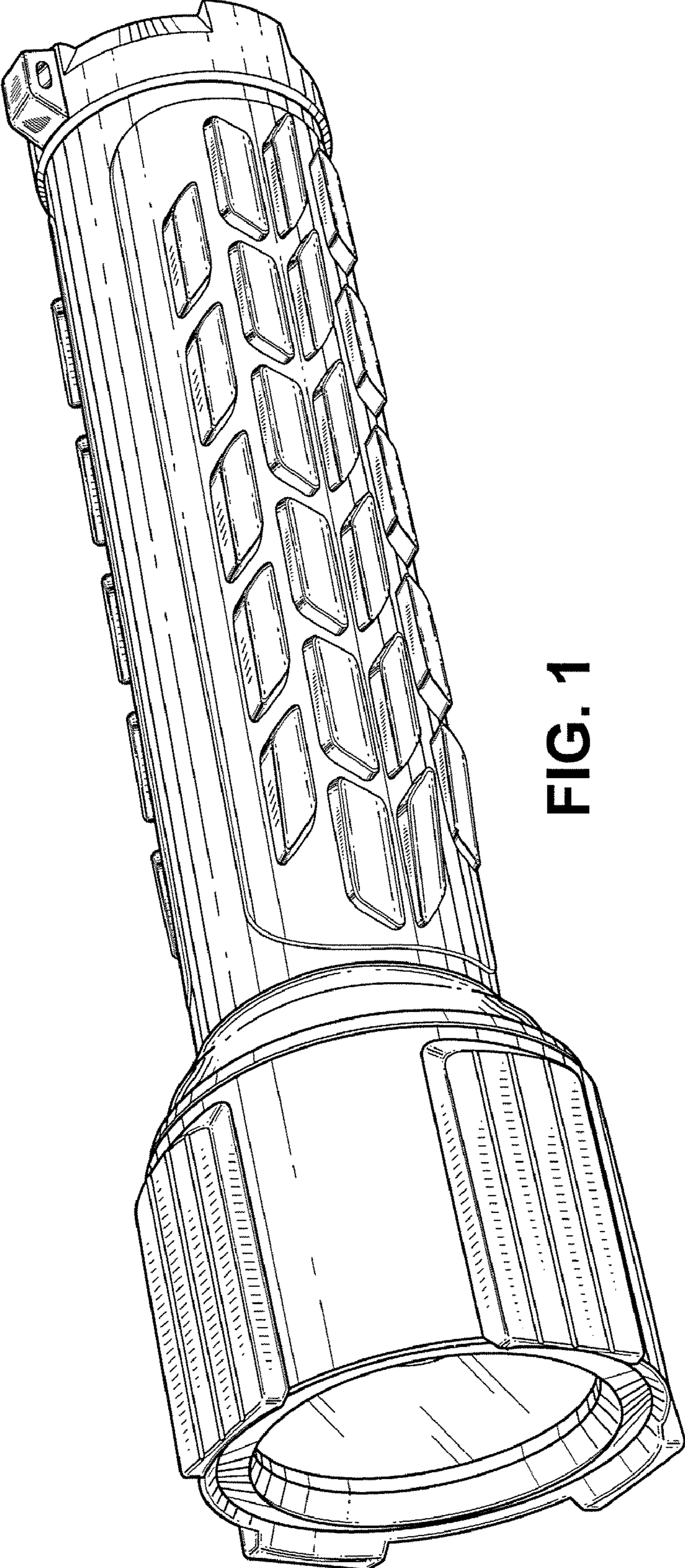
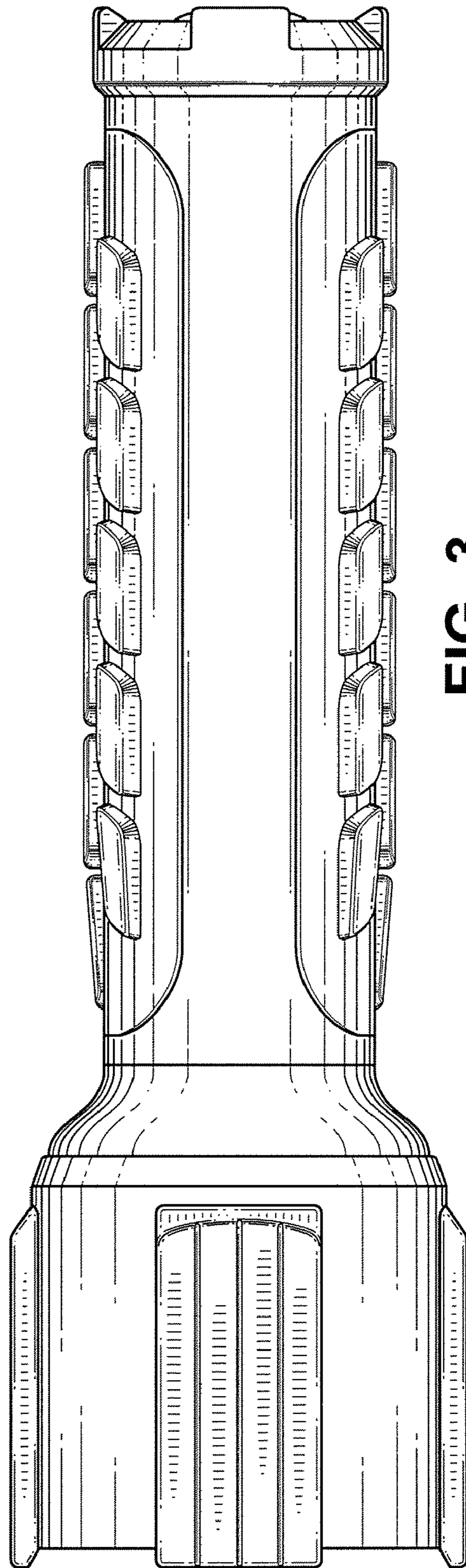
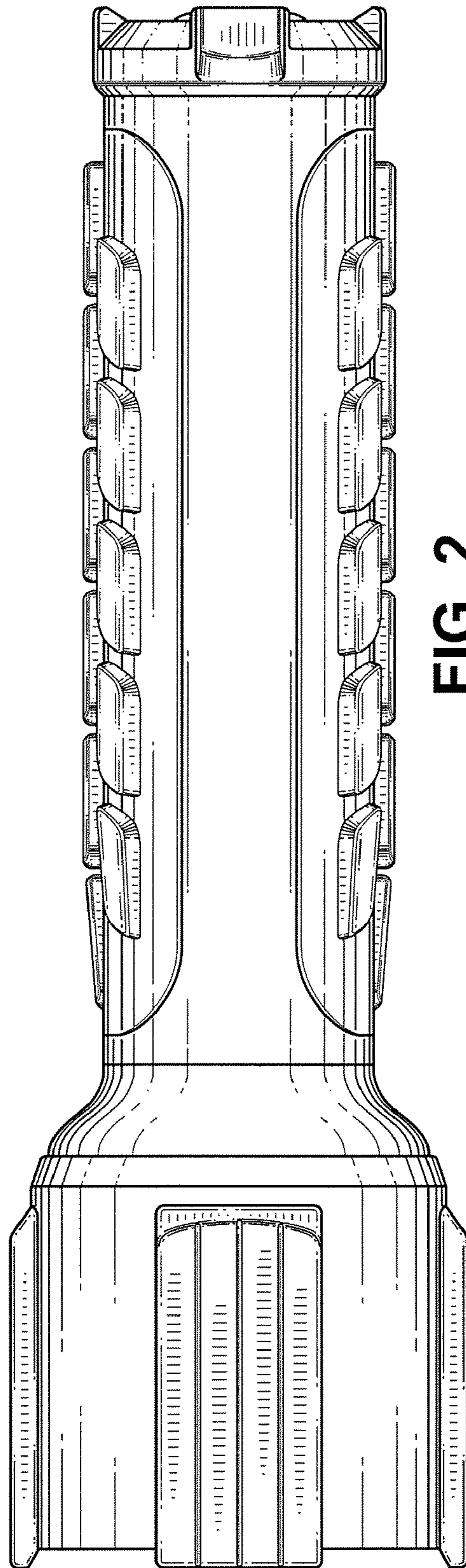


FIG. 1



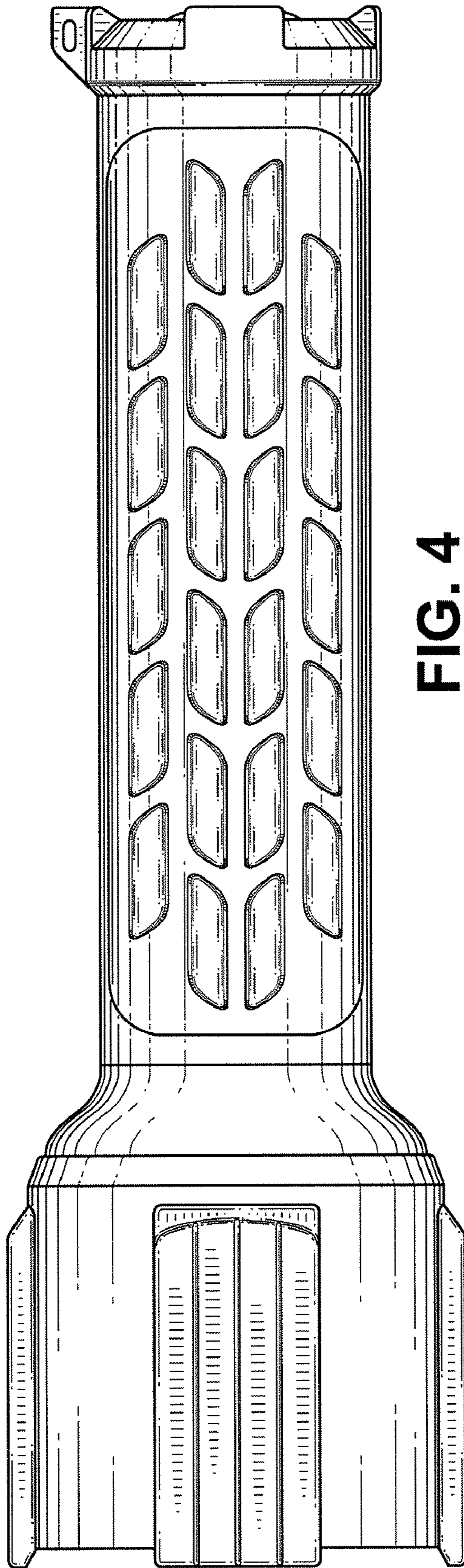


FIG. 4

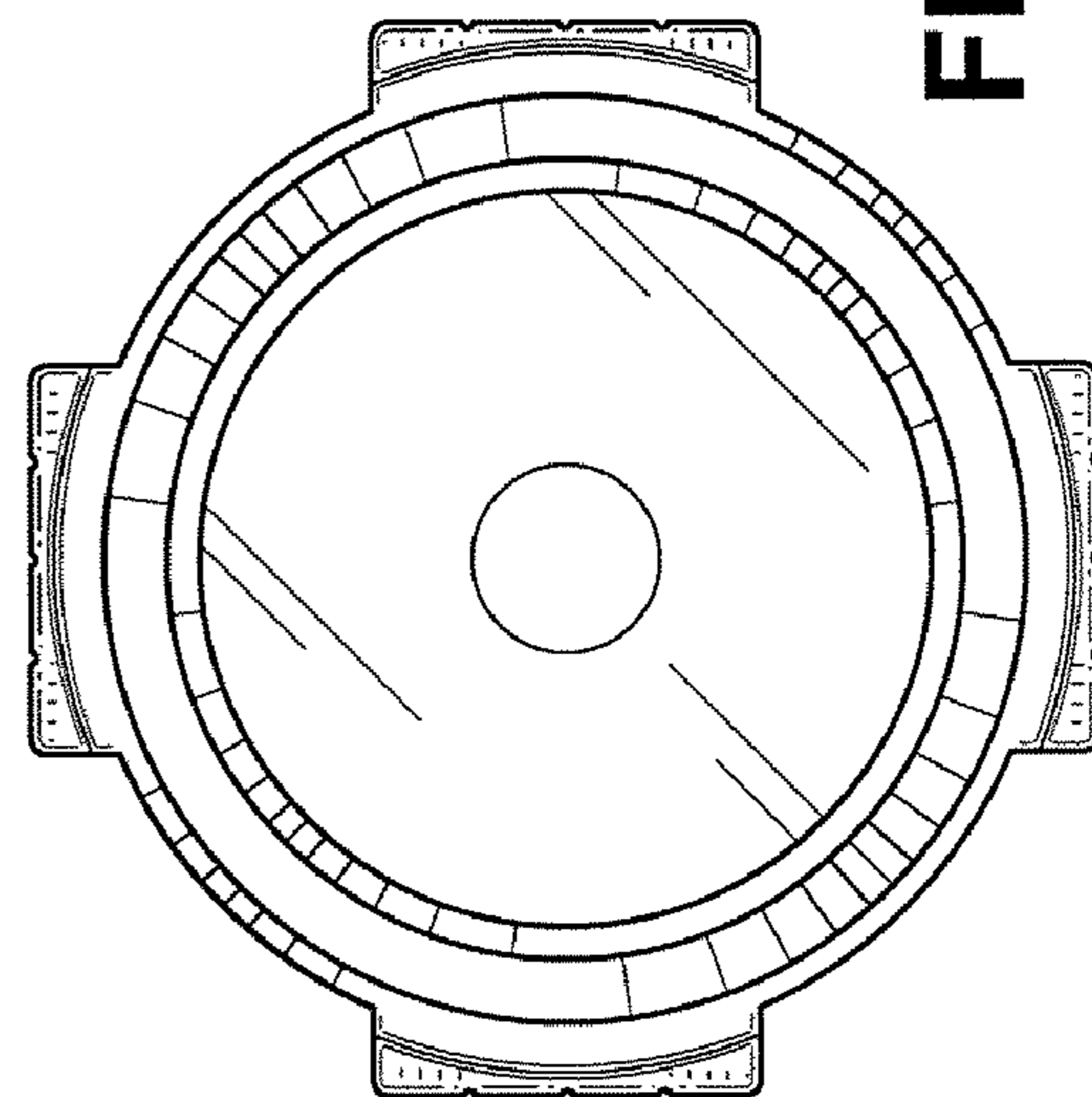


FIG. 5

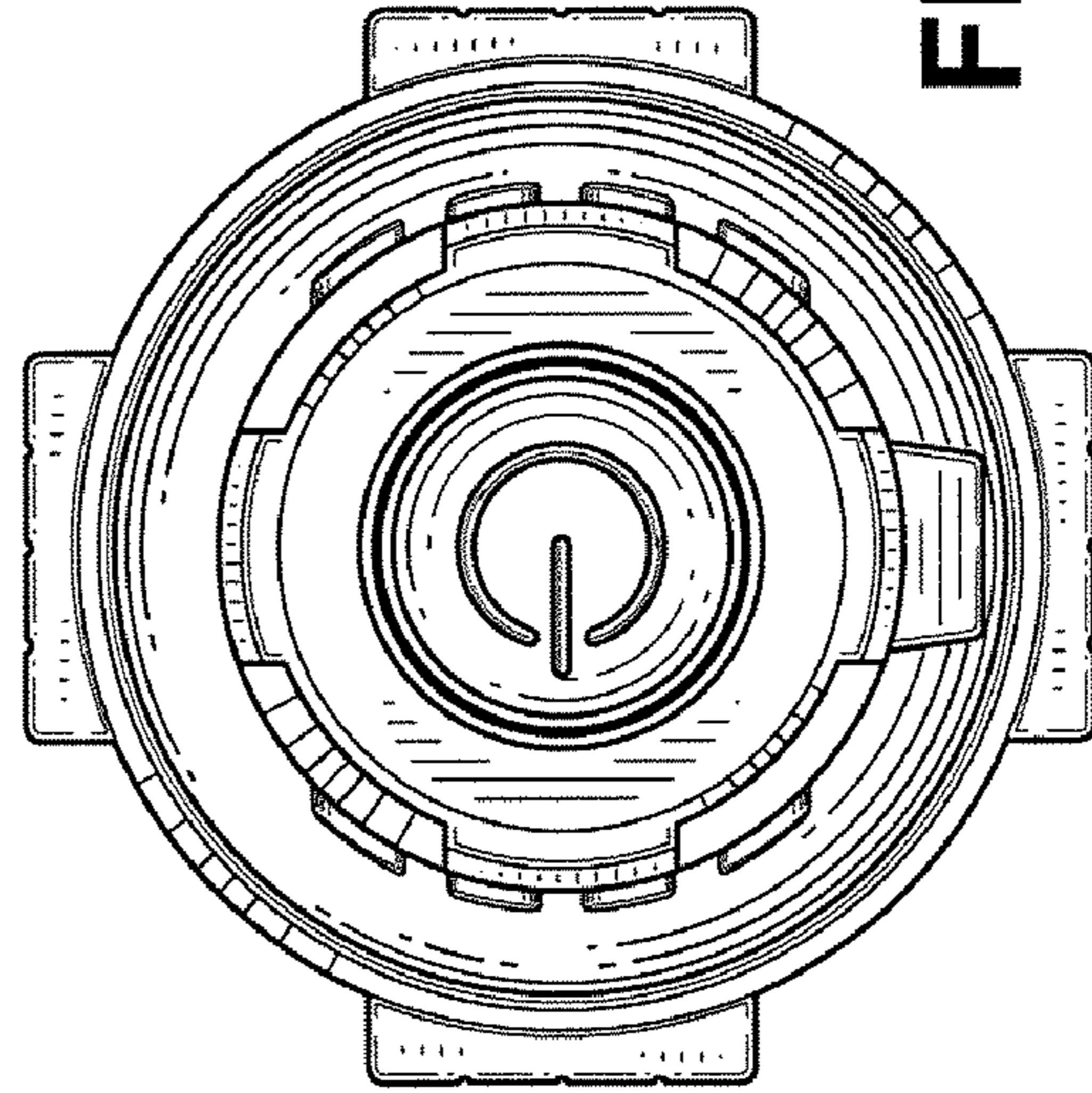


FIG. 6