

US00D563006S

(12) **United States Design Patent**
Kingston et al.

(10) **Patent No.:** **US D563,006 S**

(45) **Date of Patent:** **** Feb. 26, 2008**

(54) **LANTERN**

Primary Examiner—Marcus A. Jackson

(75) Inventors: **Ronald J. Kingston**, Syracuse, NY (US); **Tyler T. Watson**, Auburn, NY (US); **Scott W. Osiecki**, Skaneateles, NY (US)

(74) *Attorney, Agent, or Firm*—Gregory J. Adams

(73) Assignee: **Eveready Battery Company**, St. Louis, MO (US)

(57) **CLAIM**

We claim the ornamental design for a lantern, as shown and described.

(**) Term: **14 Years**

DESCRIPTION

(21) Appl. No.: **29/291,265**

(22) Filed: **Aug. 22, 2007**

(51) **LOC (8) Cl.** **26-02**

(52) **U.S. Cl.** **D26/48**

(58) **Field of Classification Search** D26/37–50;
362/157, 158, 171–174, 183–208

See application file for complete search history.

FIG. 1 is a first perspective view of the lantern of the design.
FIG. 2 is a second perspective view of the lantern of the design.

FIG. 3 is a front view of the lantern of the design.

FIG. 4 is a rear view of the lantern of the design.

FIG. 5 is a right side view of the lantern of the design.

FIG. 6 is a left side view of the lantern of the design.

FIG. 7 is a top view of the lantern of the design; and,

FIG. 8 is a bottom view of the lantern of the design.

Any broken line(s) shown are for illustrative purposes only and form no part of the claimed design.

(56) **References Cited**

U.S. PATENT DOCUMENTS

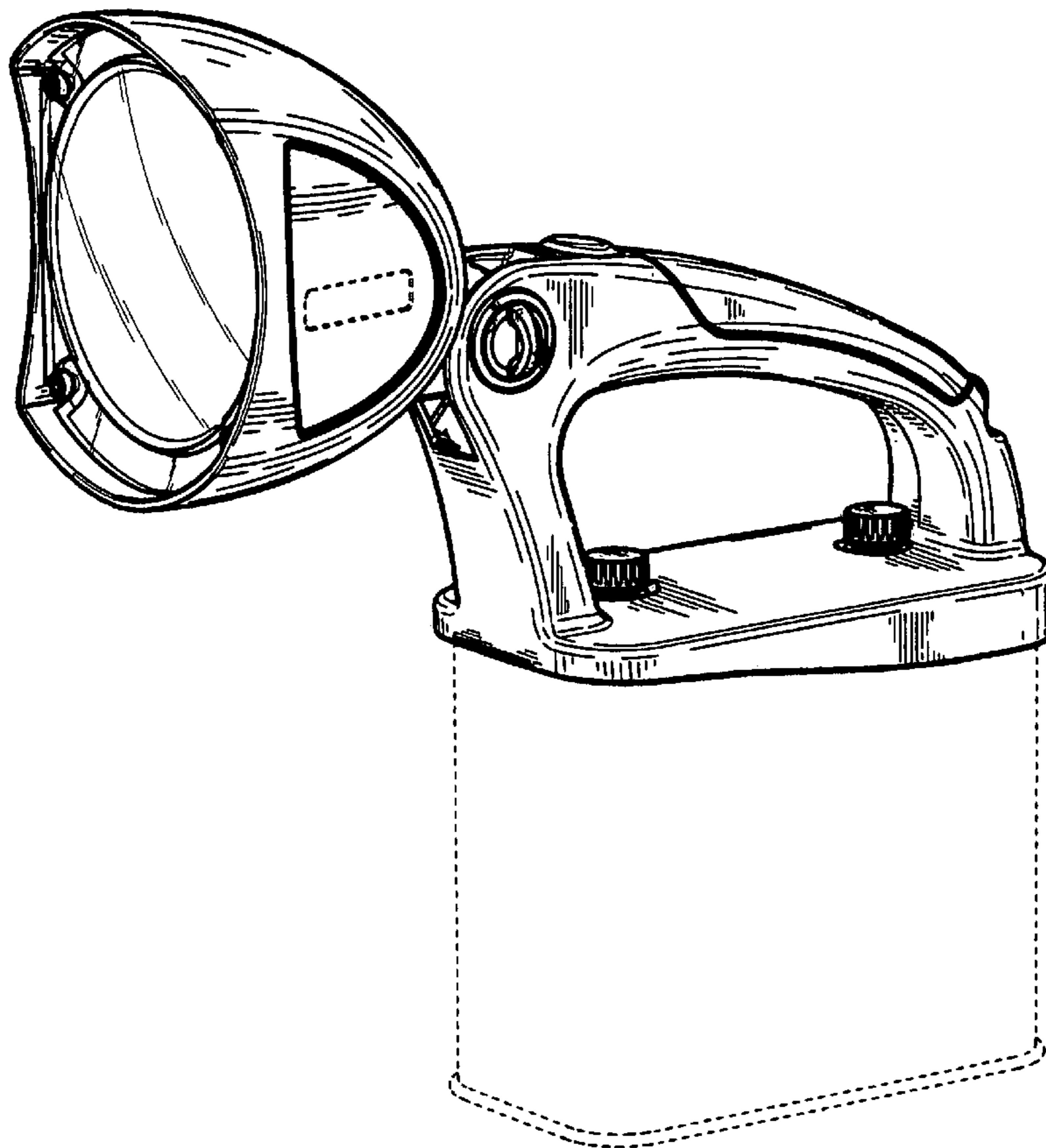
D359,814 S * 6/1995 Yuen D26/48

D372,549 S * 8/1996 Lo D26/48

D449,899 S * 10/2001 Hayakawa et al. D26/48

* cited by examiner

1 Claim, 6 Drawing Sheets



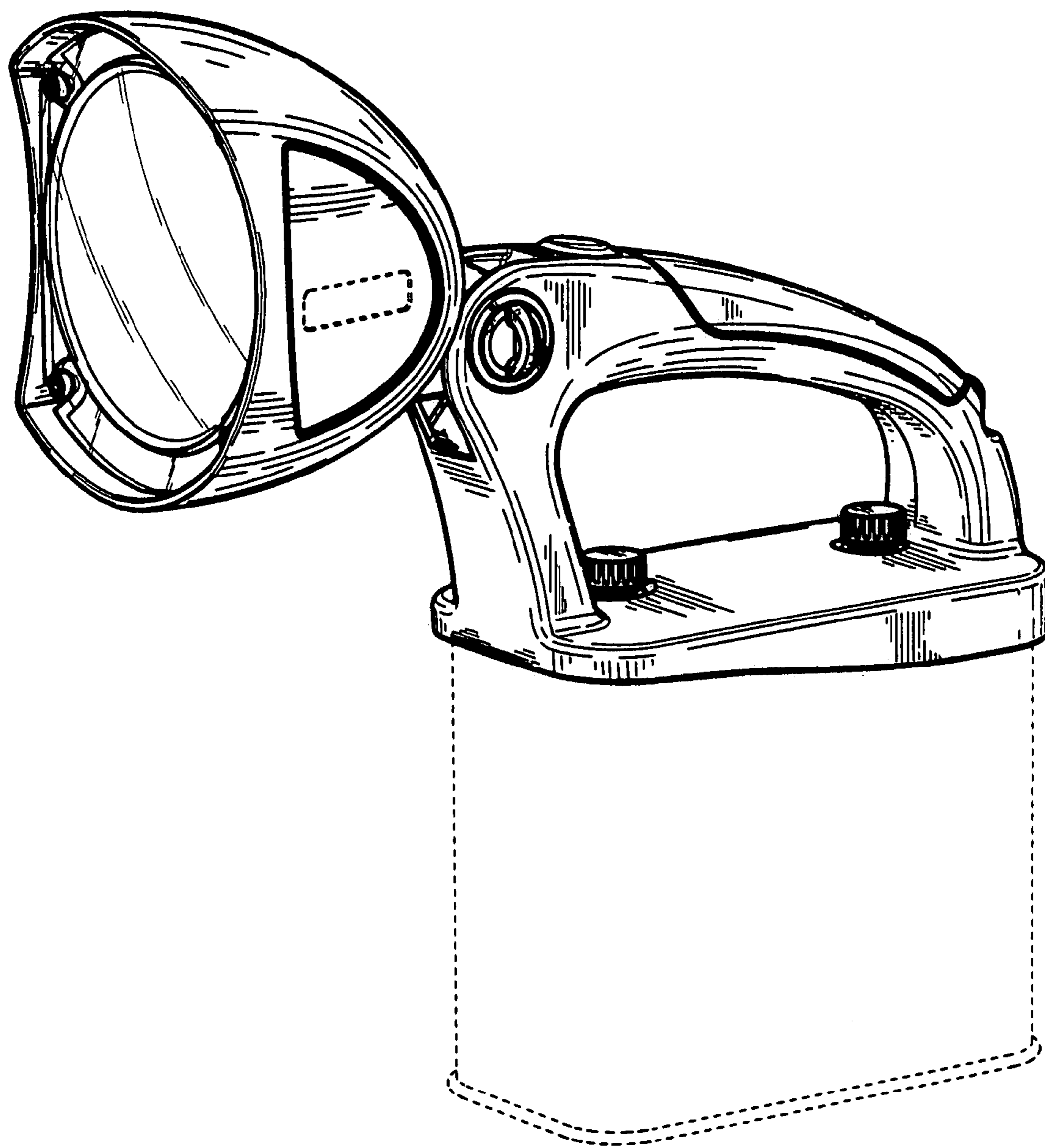


Fig. 1

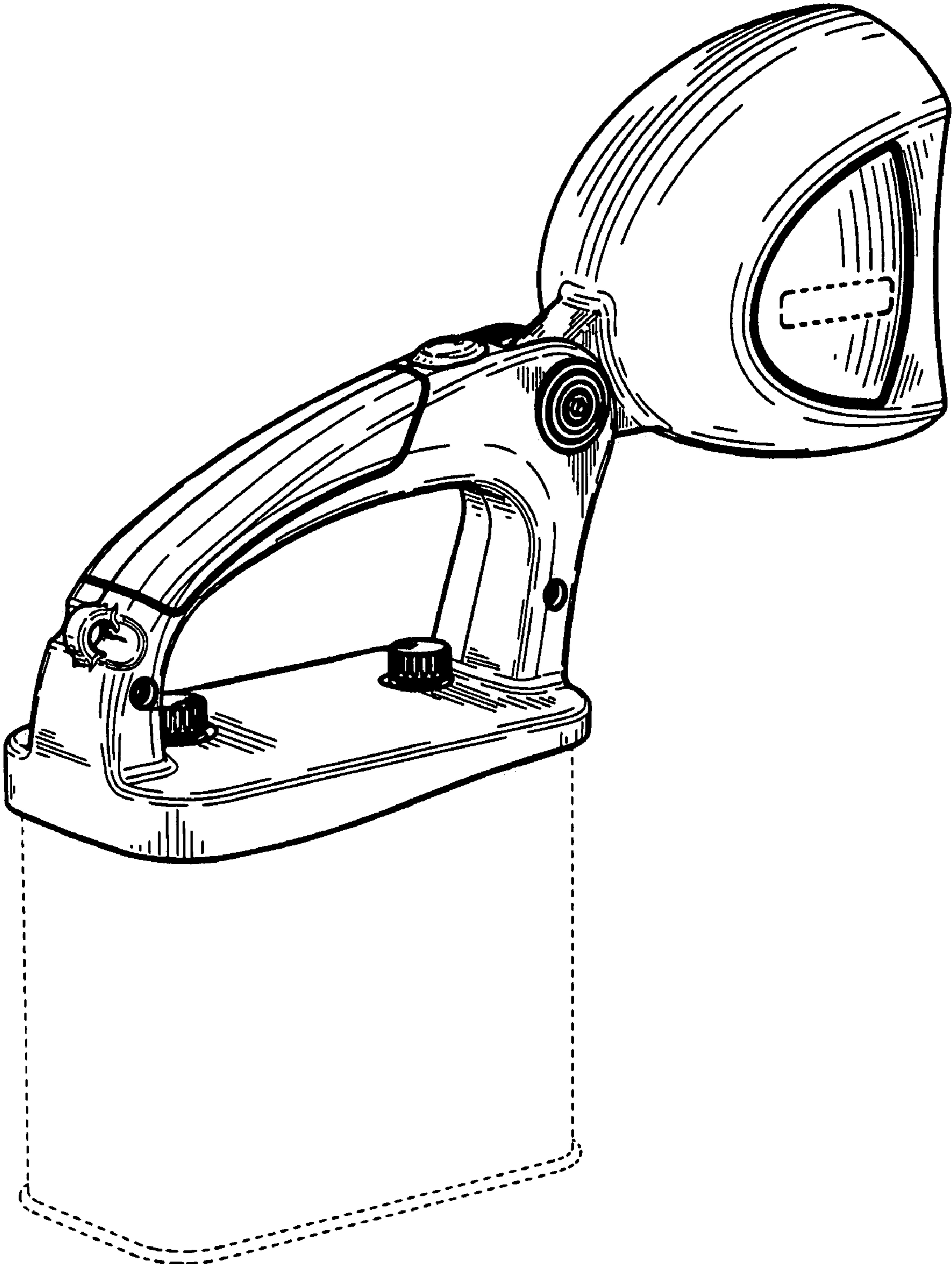


Fig. 2

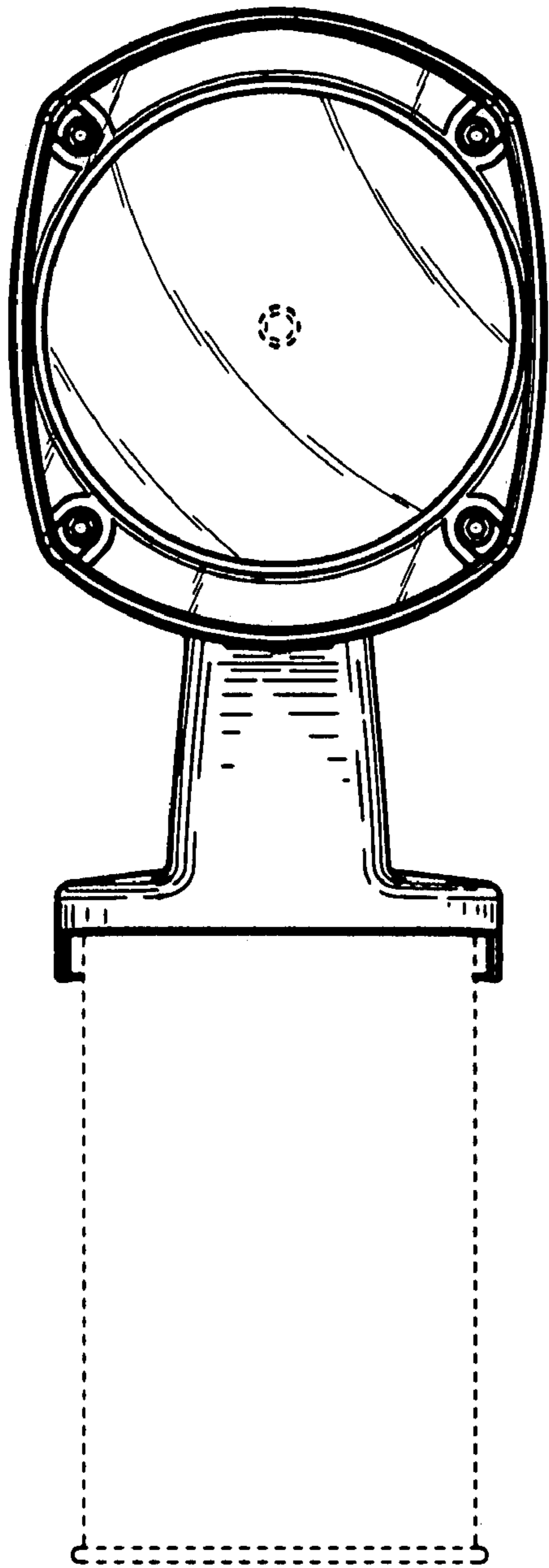


Fig. 3

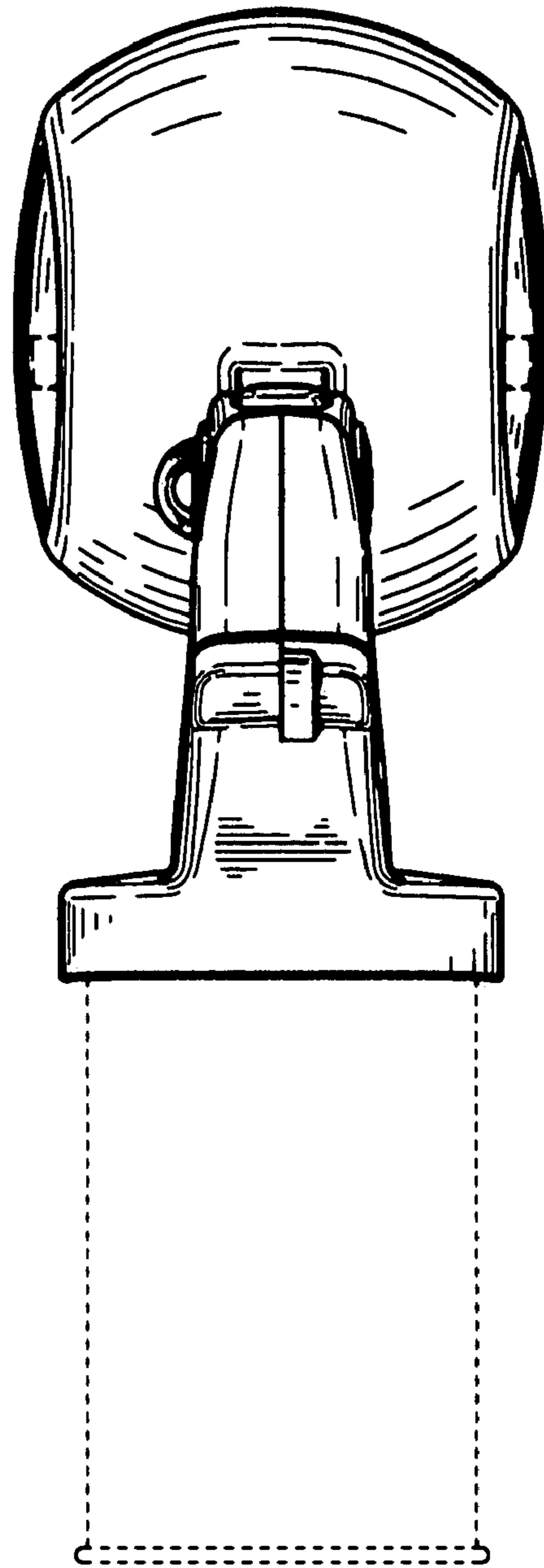


Fig. 4

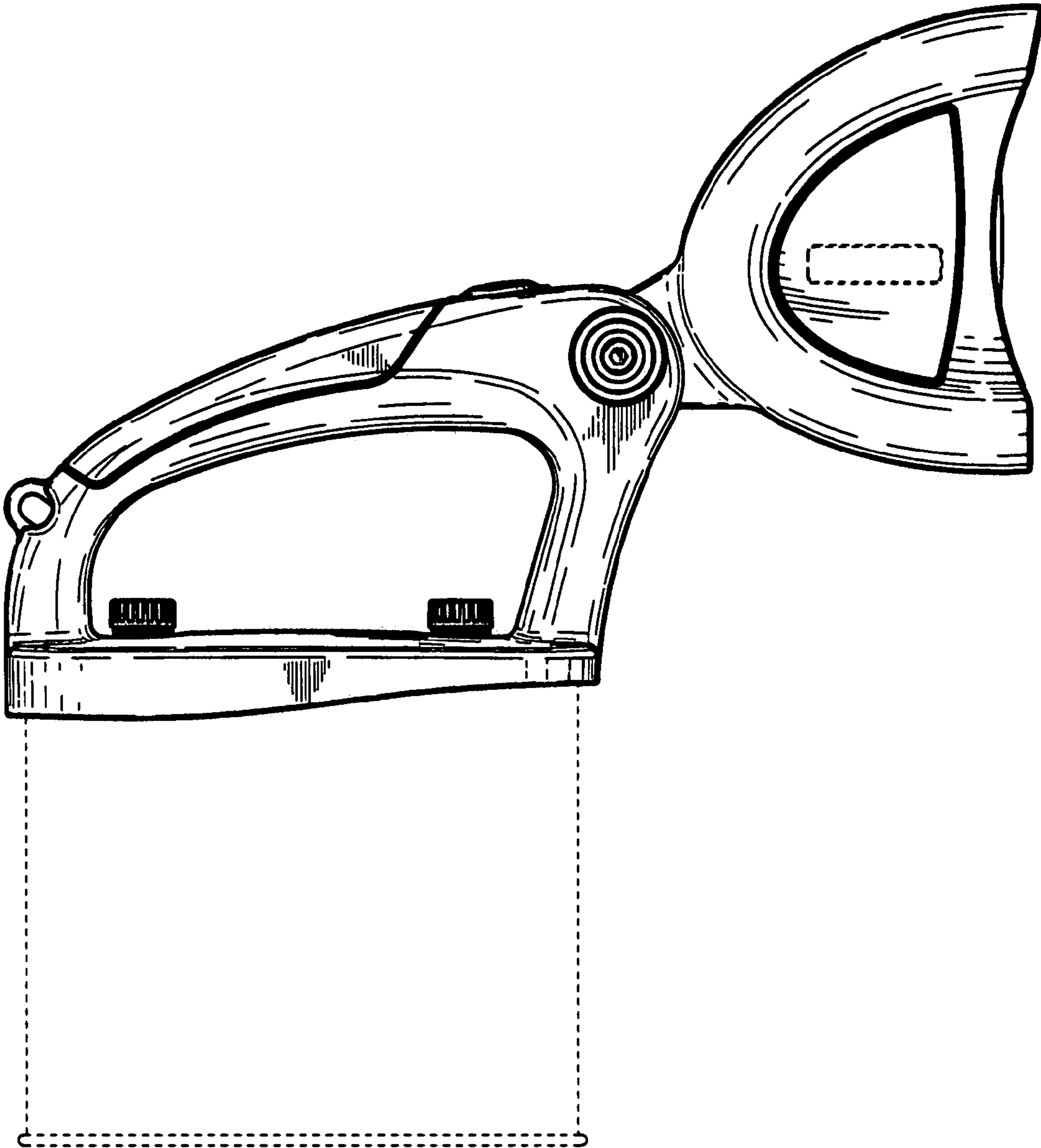


Fig. 5

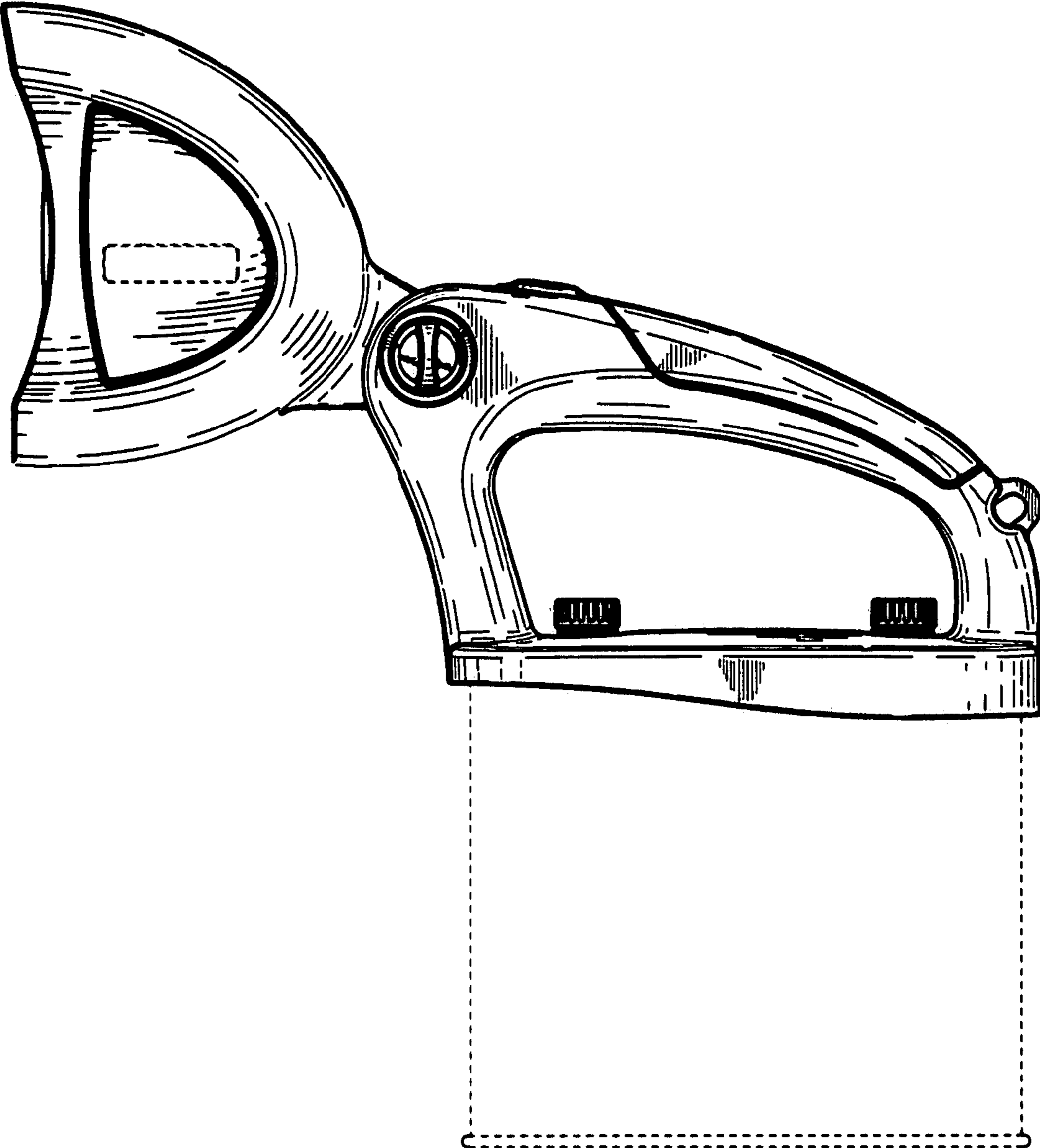


Fig. 6

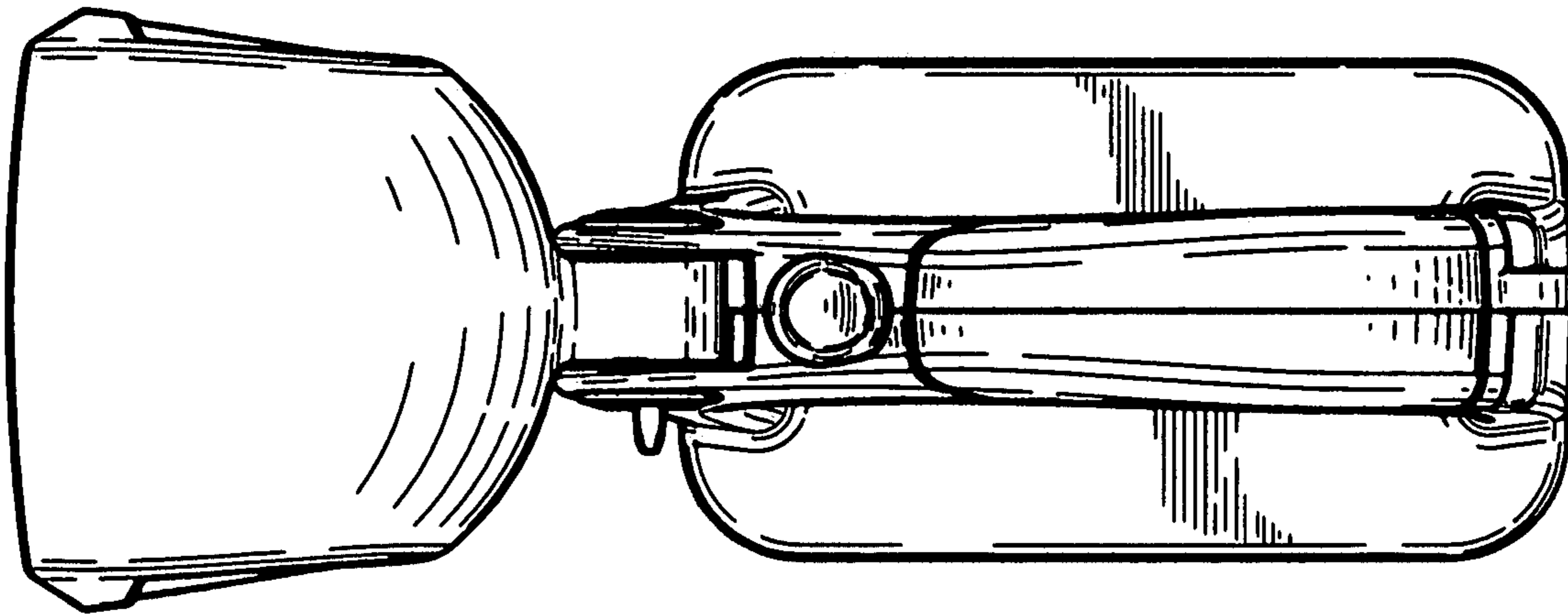


Fig. 7

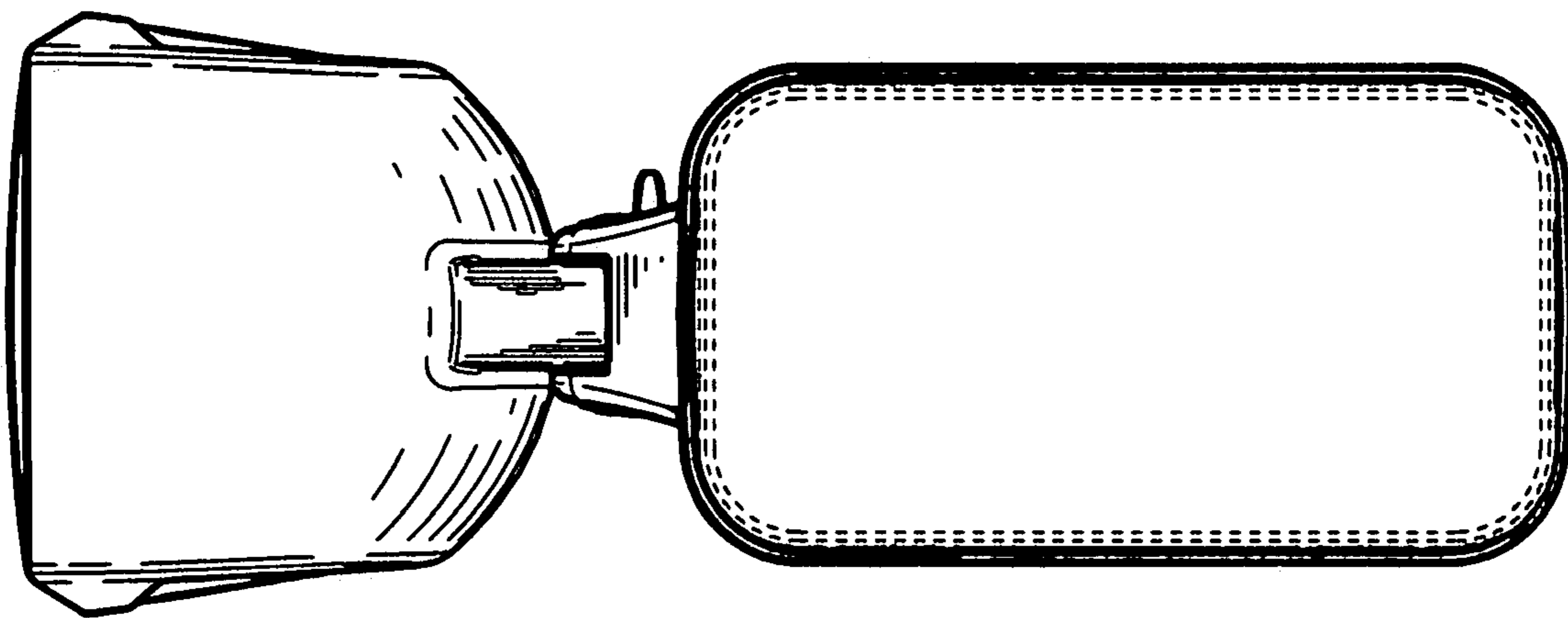


Fig. 8