

US00D563004S

(12) **United States Design Patent** (10) **Patent No.:** **US D563,004 S**
Biglarians (45) **Date of Patent:** **** Feb. 26, 2008**

(54) **LED FLASHLIGHT AND PILL FOB**

(57) **CLAIM**

(76) Inventor: **Patrick Biglarians**, 10350 Fountaingate Dr., Stafford, TX (US) 77477

The ornamental designs for a LED flashlight and pill fob, substantially as shown and described.

(**) Term: **14 Years**

DESCRIPTION

(21) Appl. No.: **29/288,741**

(22) Filed: **Jun. 22, 2007**

(51) **LOC (8) Cl.** **26-02**

(52) **U.S. Cl.** **D26/38**

(58) **Field of Classification Search** D26/37-50;
362/157, 158, 171-174, 183-208

See application file for complete search history.

(56) **References Cited**

U.S. PATENT DOCUMENTS

D517,582 S *	3/2006	Oas	D16/135
D531,743 S *	11/2006	Opolka	D26/37
D534,585 S *	1/2007	Oas	D19/44
D535,418 S *	1/2007	Martin	D26/37
D551,788 S *	9/2007	Bao	D26/38

* cited by examiner

Primary Examiner—Marcus A. Jackson

FIG. 1 is a top, front perspective view of a LED flashlight and pill fob

FIG. 2 is a top, back perspective view of a LED flashlight and pill fob

FIG. 3 is a front elevational, bottom view of a LED flashlight and pill fob on the bottom

FIG. 4 is a top, front elevational view of a LED flashlight and pill fob show the cap of pill fob opened

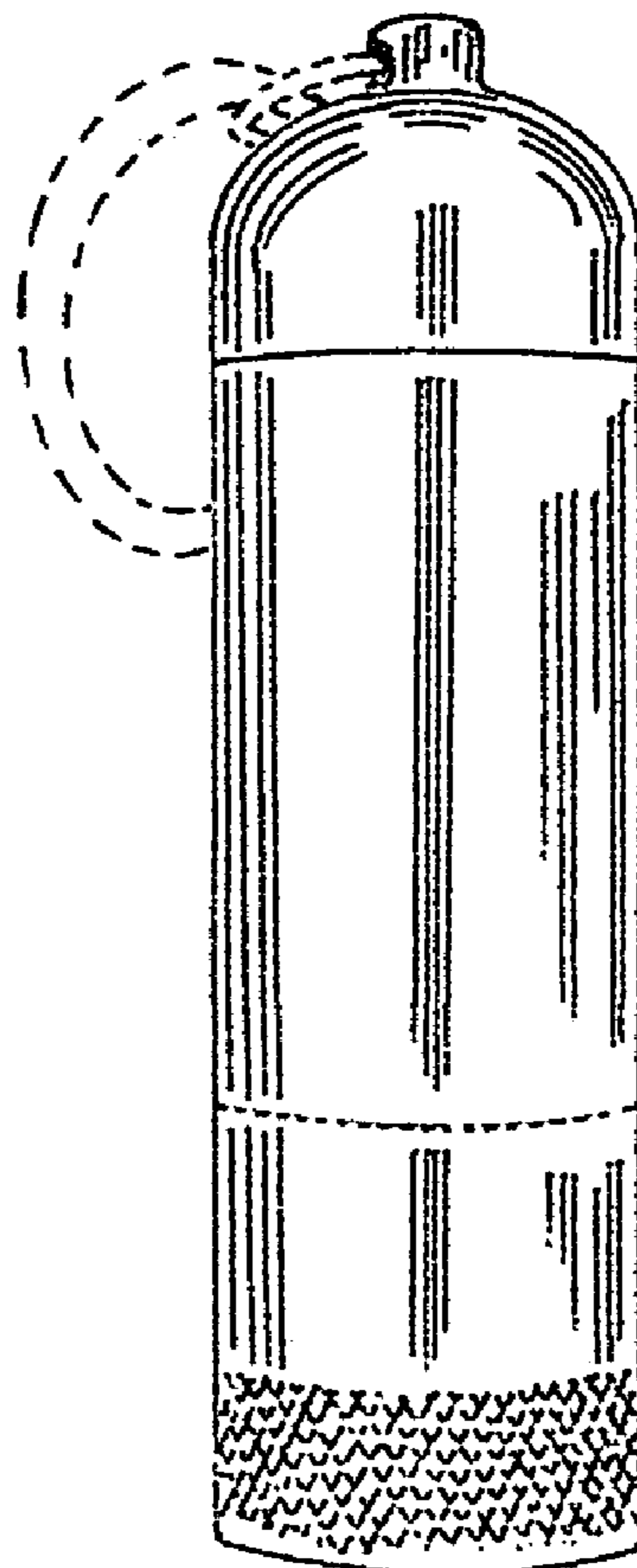
FIG. 5 is a bottom view of a LED flashlight and pill fob;

FIG. 6 is top view of a LED flashlight and pill fob; and,

FIG. 7 is a top, front, and bottom view of a LED flashlight and pill fob.

The broken lines are shown for illustrative purpose only and form no part of the claimed design.

1 Claim, 3 Drawing Sheets



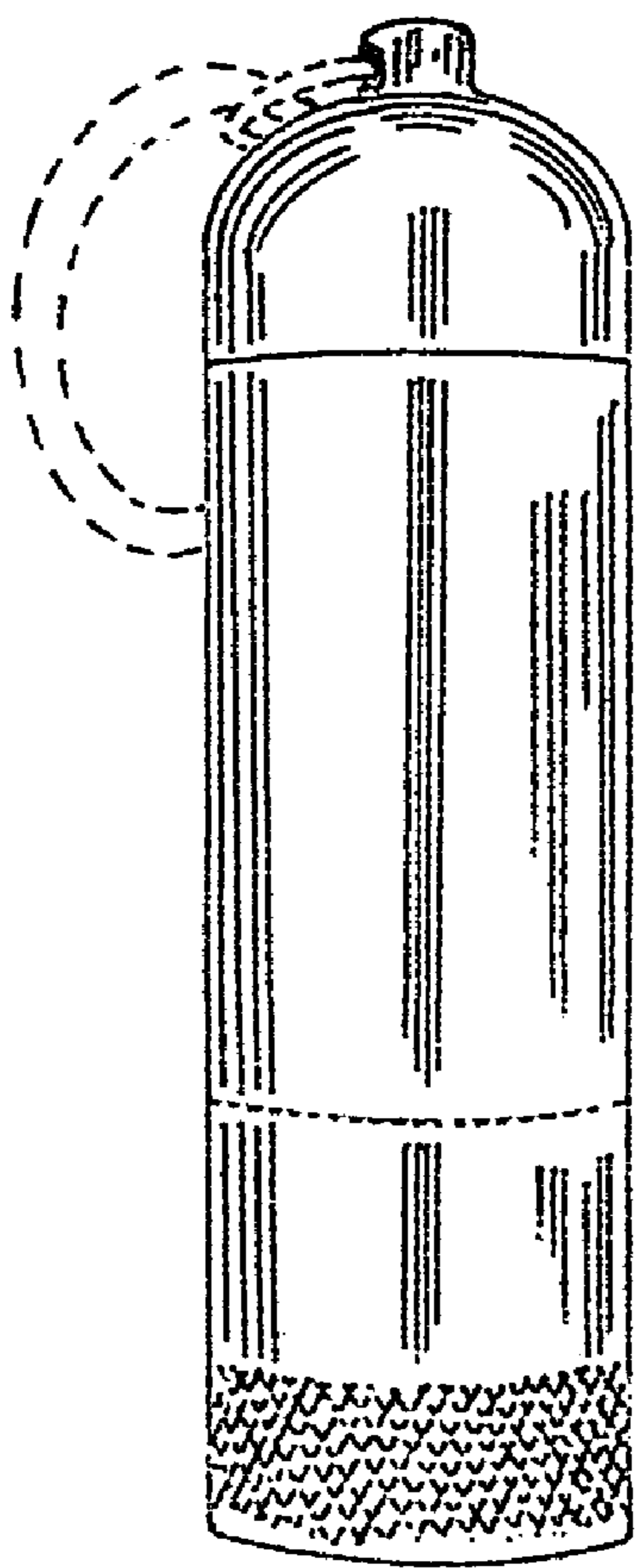


FIG. 1

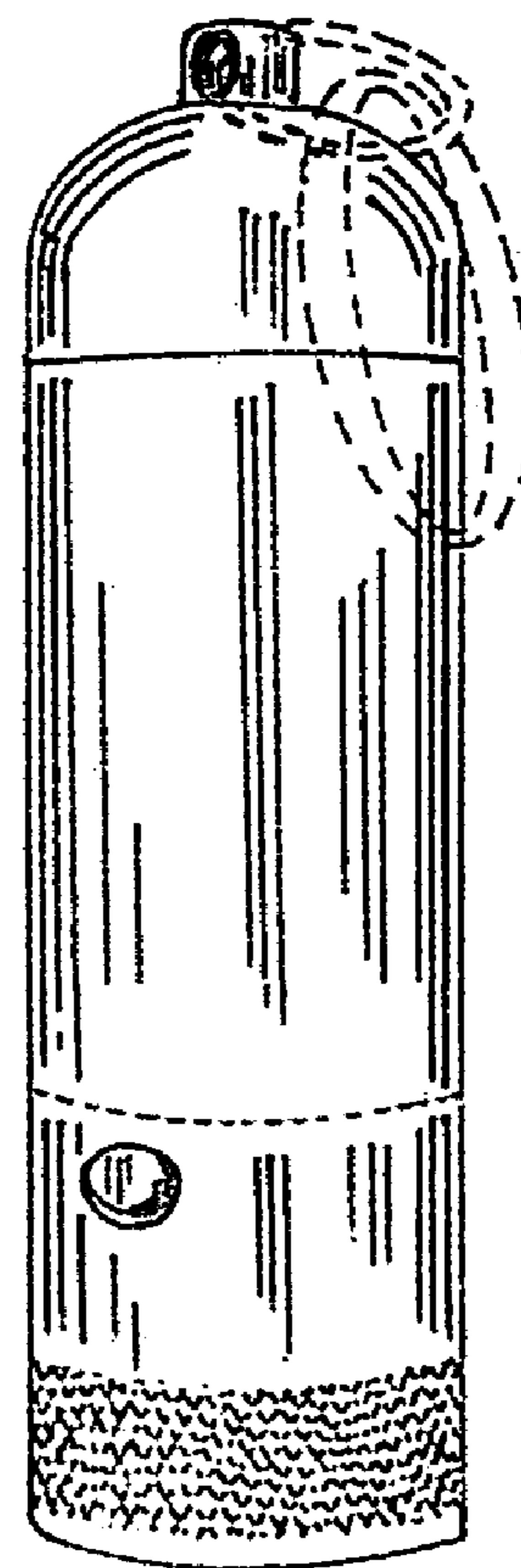


FIG. 2

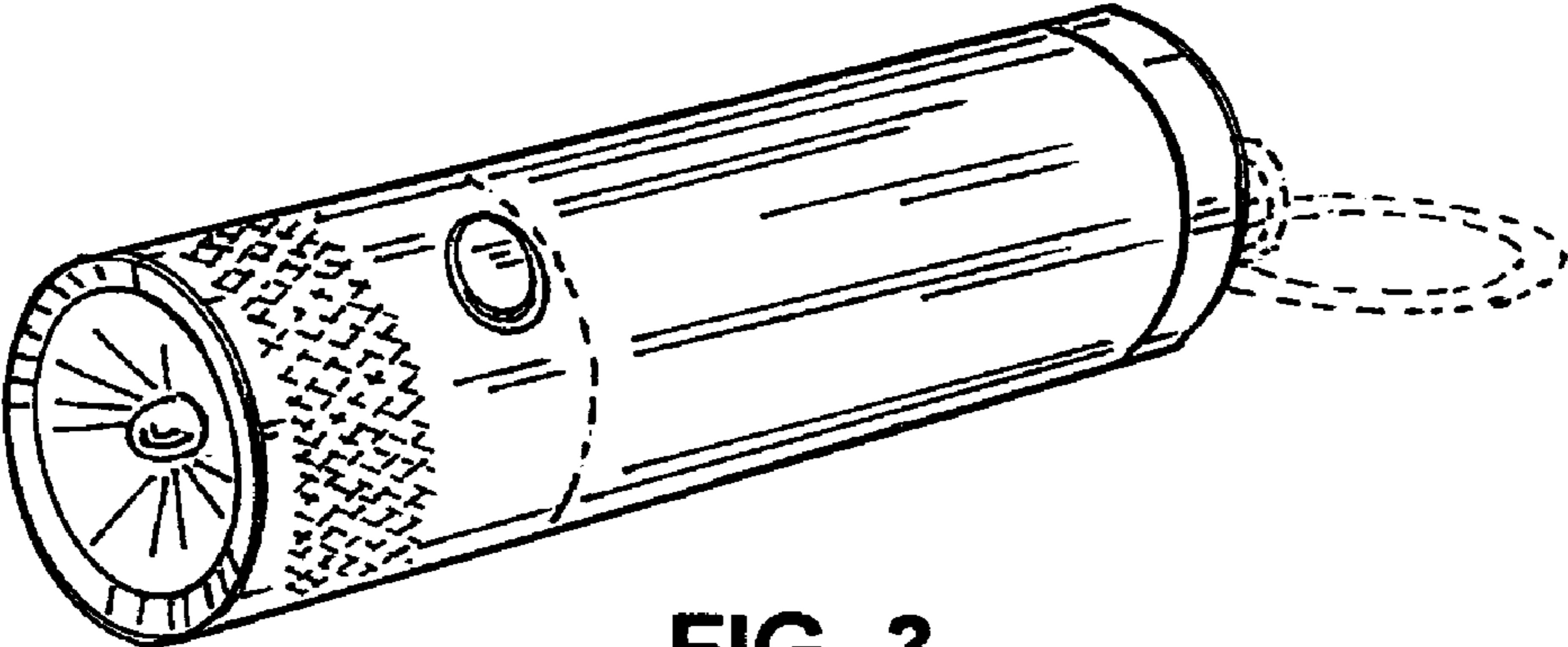


FIG. 3

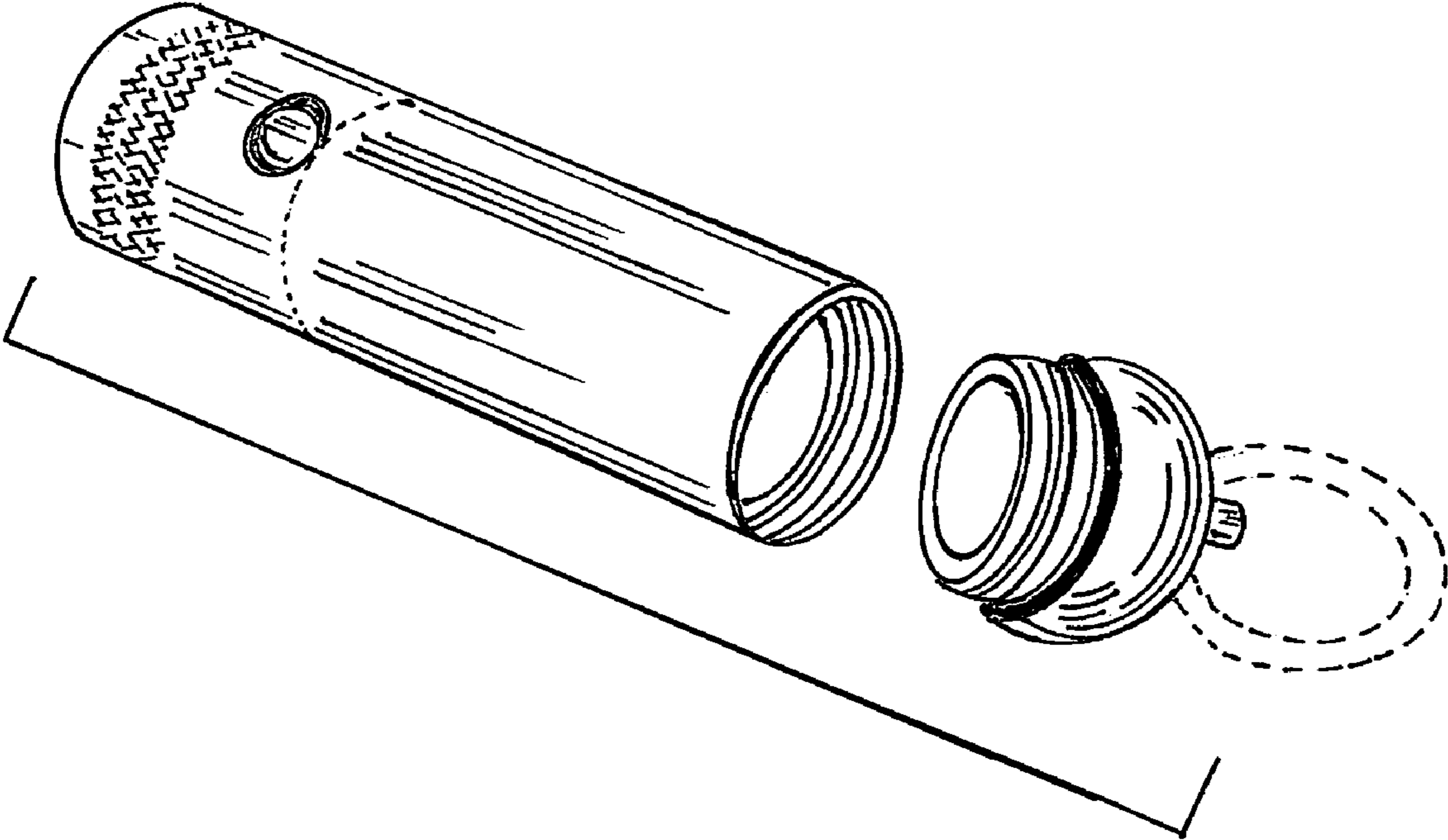


FIG. 4

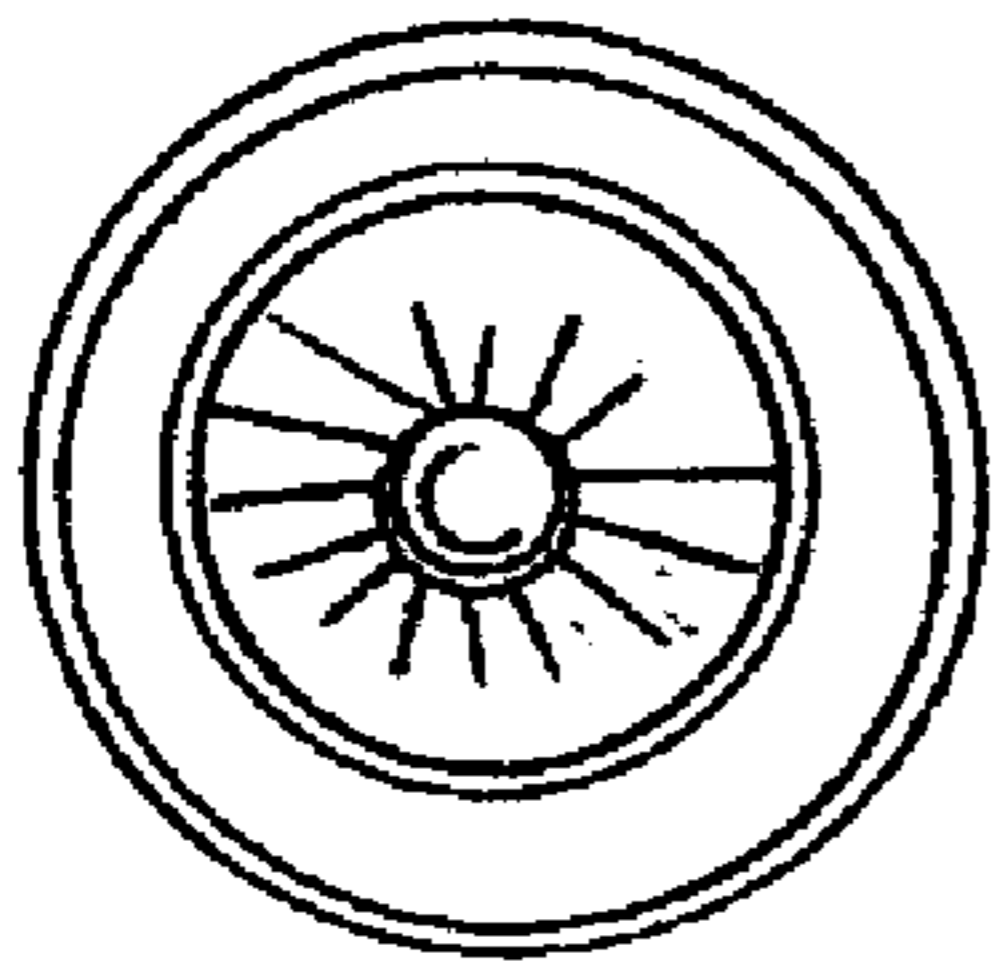


FIG. 5

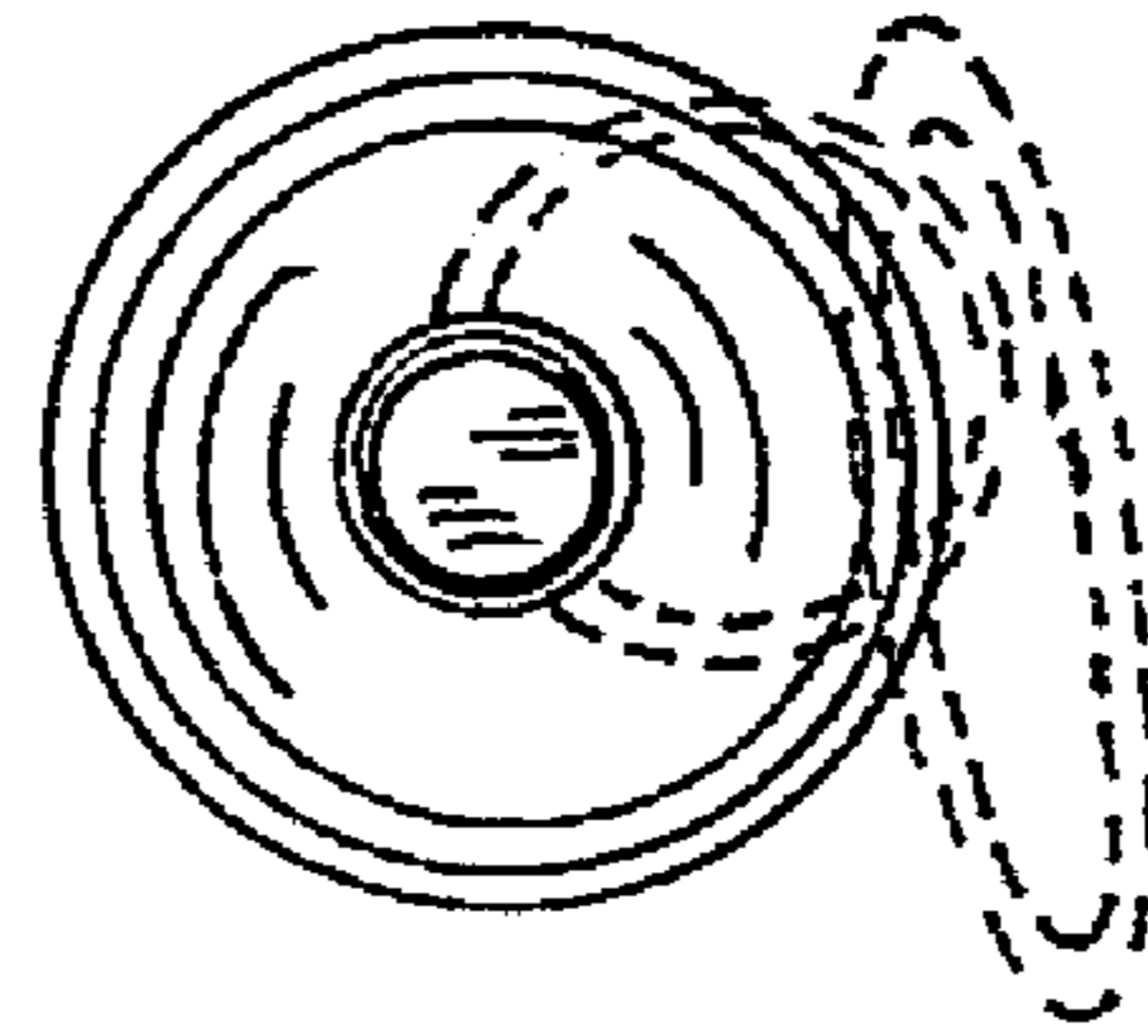


FIG. 6

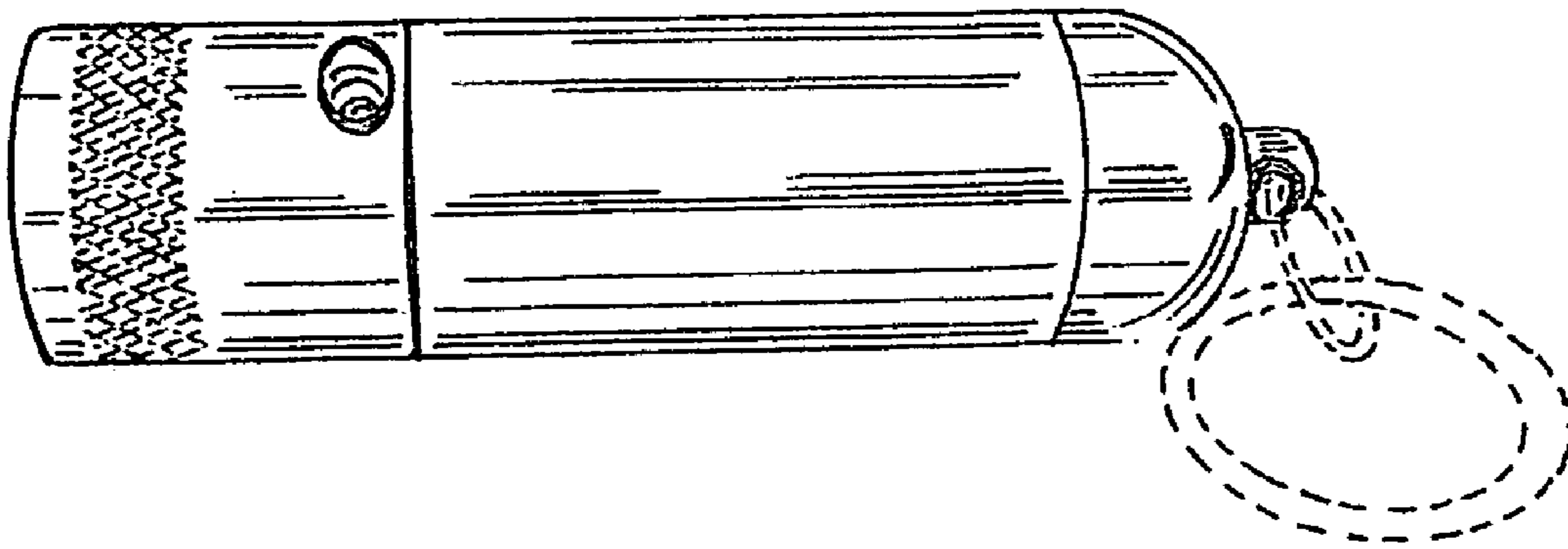


FIG. 7