

US00D563003S

(12) **United States Design Patent**  
**Aleksjew**

(10) **Patent No.:** **US D563,003 S**

(45) **Date of Patent:** **\*\* Feb. 26, 2008**

(54) **PORTABLE LAMP**

D551,367 S \* 9/2007 Mok et al. .... D26/37

(75) Inventor: **Miro Aleksjew**, Starnberg (DE)

\* cited by examiner

(73) Assignee: **Patent-Treuhand-Gesellschaft fur elektrische Gluhlampen mbH**, Munich (DE)

*Primary Examiner*—Marcus A. Jackson  
(74) *Attorney, Agent, or Firm*—William E. Meyer

(\*\*) Term: **14 Years**

(57) **CLAIM**

(21) Appl. No.: **29/287,348**

The ornamental design for a portable lamp, as shown.

(22) Filed: **Jul. 26, 2007**

**DESCRIPTION**

(30) **Foreign Application Priority Data**

Jan. 26, 2007 (DE) ..... 4 07 00 474

(51) **LOC (8) Cl.** ..... **26-02**

(52) **U.S. Cl.** ..... **D26/37**

(58) **Field of Classification Search** ..... D26/37-50;  
362/157, 158, 171-174, 183-208  
See application file for complete search history.

FIG. 1 is a top side view of a portable lamp  
FIG. 2 is a top view of the portable lamp  
FIG. 3 is a front view of the portable lamp  
FIG. 4 is a left side view of the portable lamp  
FIG. 5 is a back side view of the portable lamp  
FIG. 6 is a right side view of the portable lamp; and,  
FIG. 7 is a bottom side view of the portable lamp.

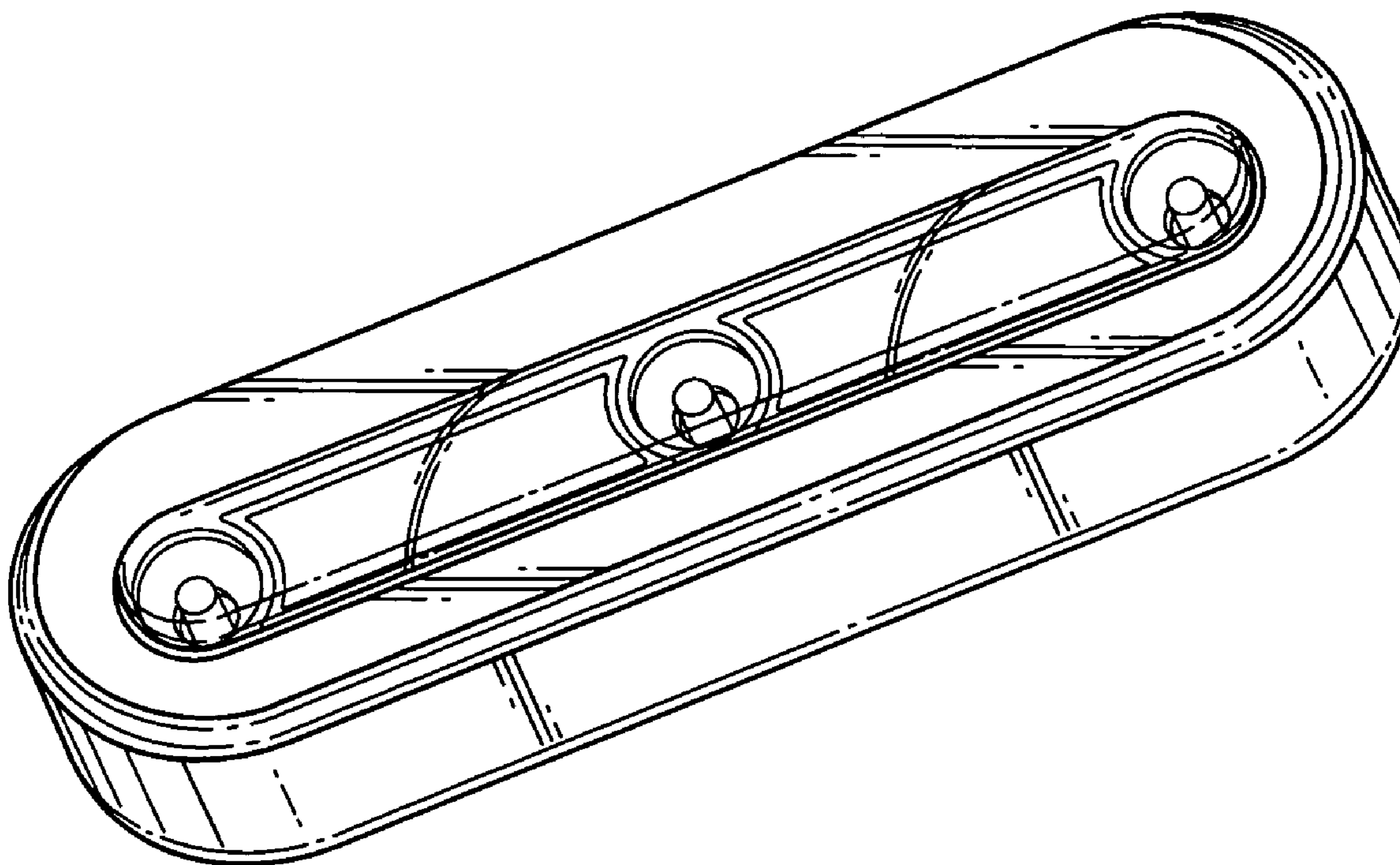
This is an application for a new, original and ornamental design for a portable lamp having a stretched rectangular base area with rounded off corners and containing three LEDs.

(56) **References Cited**

**U.S. PATENT DOCUMENTS**

D383,228 S \* 9/1997 Petruzzi ..... D26/37  
D390,678 S \* 2/1998 Matthes ..... D26/37

**1 Claim, 2 Drawing Sheets**



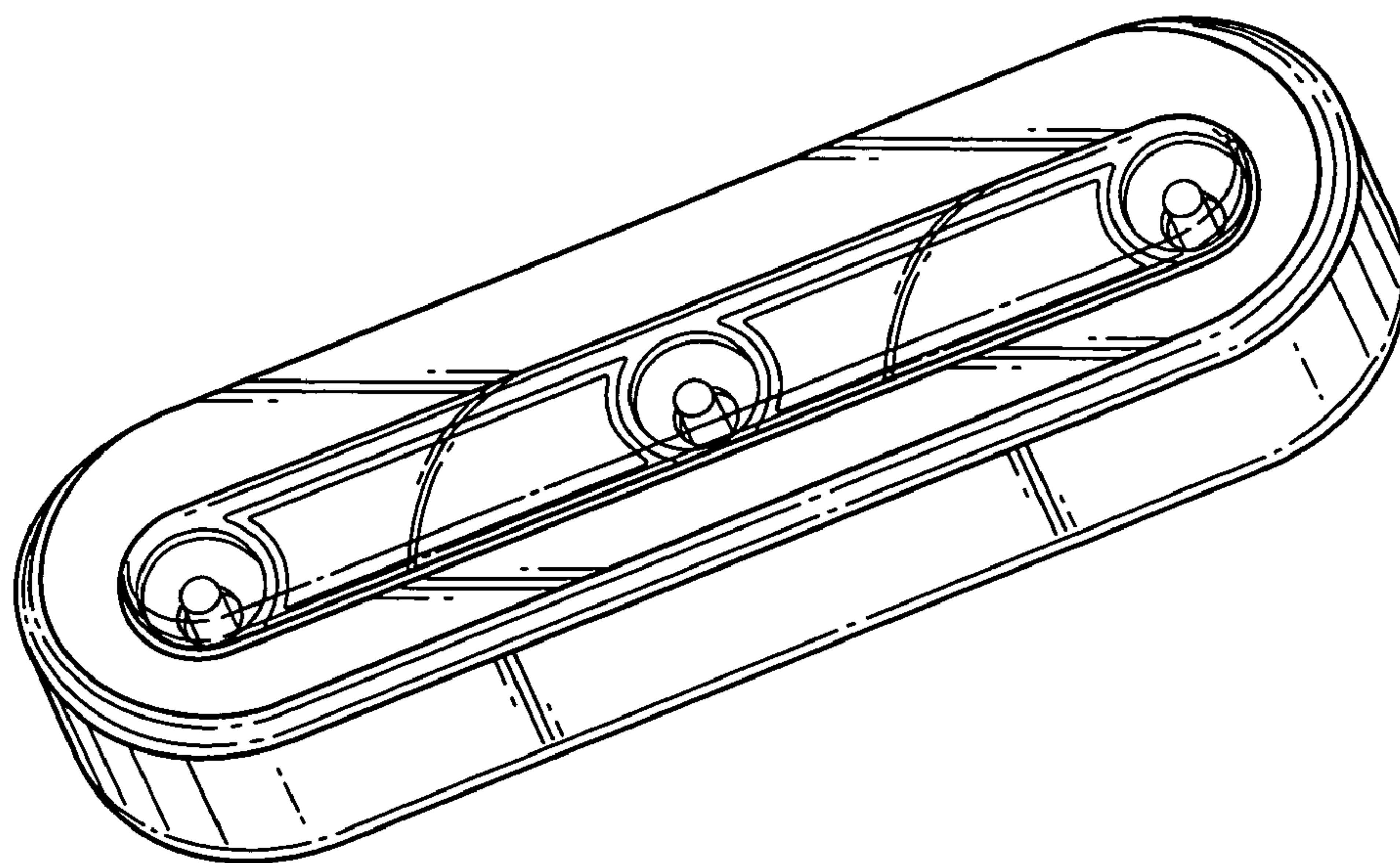


FIG. 1

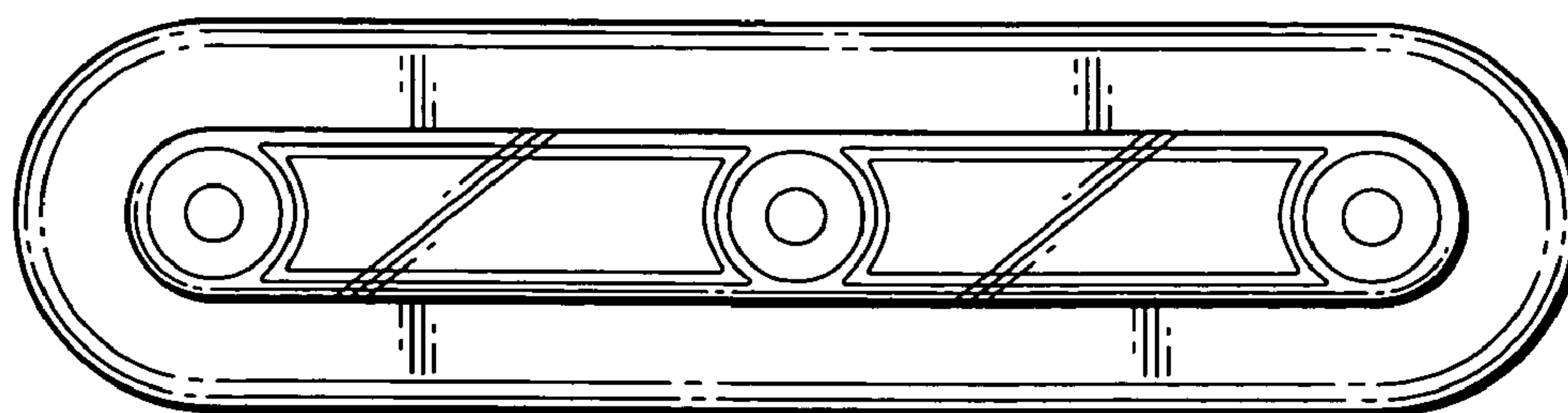


FIG. 2

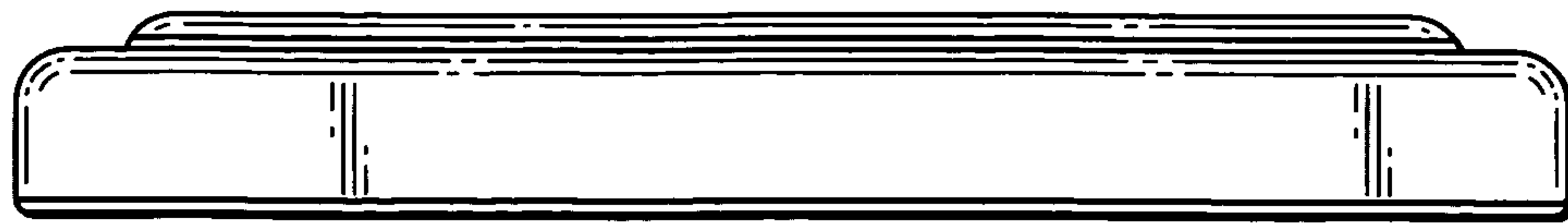


FIG. 3

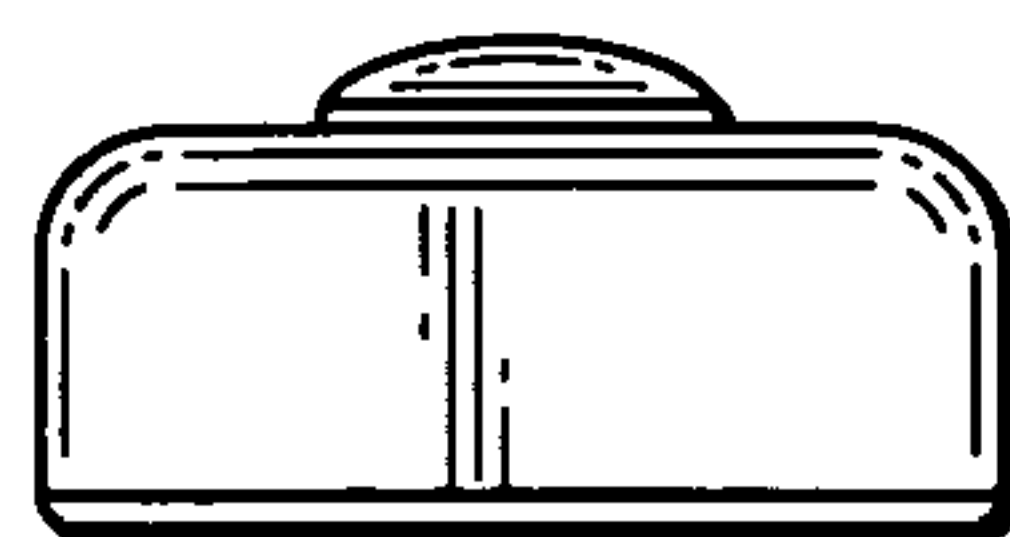


FIG. 4

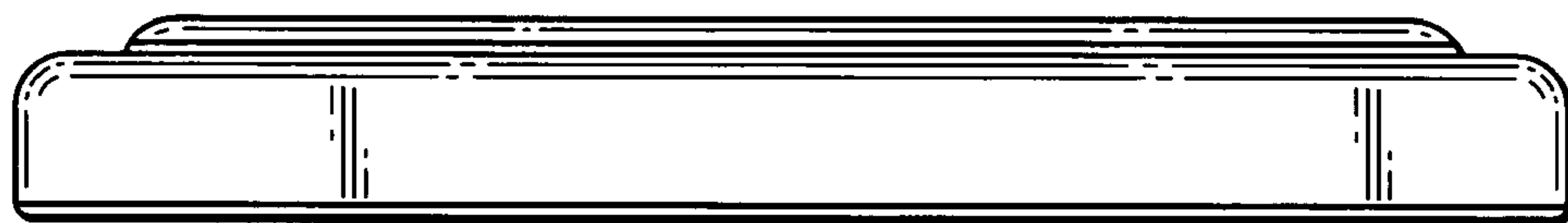


FIG. 5

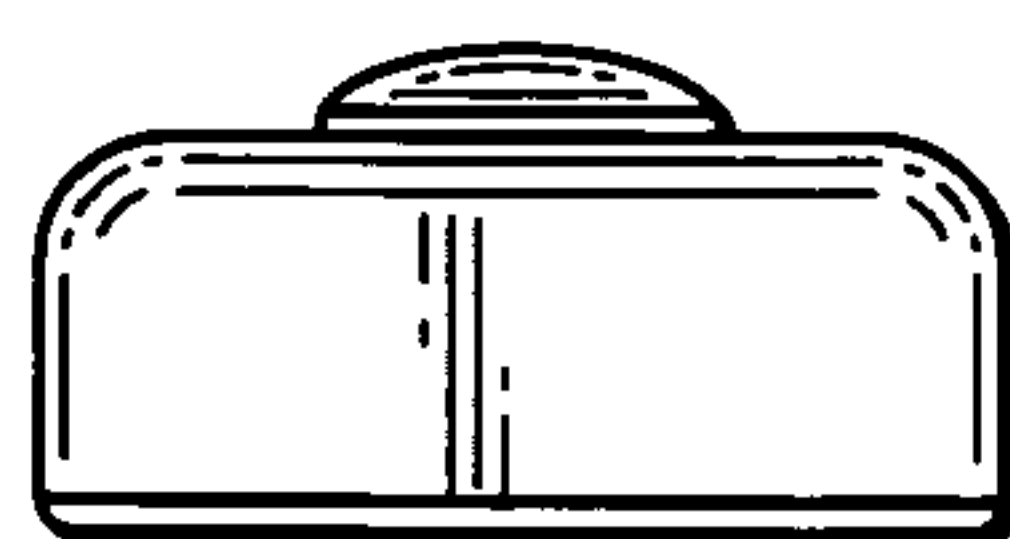


FIG. 6

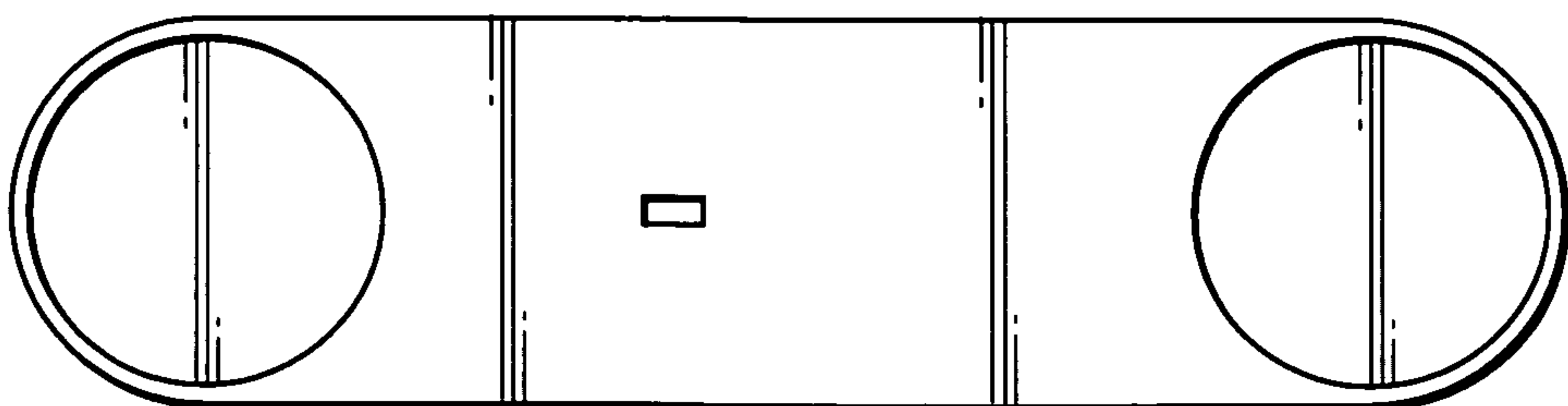


FIG. 7