

US00D563002S

(12) **United States Design Patent**
Irizarry

(10) **Patent No.:** **US D563,002 S**

(45) **Date of Patent:** **** Feb. 26, 2008**

(54) **CARRYING BAG LIGHT ASSEMBLY**

(76) Inventor: **Erik J. Irizarry**, 260 Beach 81st St.,
Rockaway Beach, NY (US) 11693

(**) Term: **14 Years**

(21) Appl. No.: **29/277,851**

(22) Filed: **Mar. 12, 2007**

(51) **LOC (8) Cl.** **26-02**

(52) **U.S. Cl.** **D26/37; D26/75**

(58) **Field of Classification Search** D26/74-79,
D26/37, 41, 42; 362/154-158, 188, 190,
362/191, 194, 197, 200, 251, 276, 394, 396,
362/398; D3/273, 294; 200/60

See application file for complete search history.

(56) **References Cited**

U.S. PATENT DOCUMENTS

2,534,179	A *	12/1950	Peterson et al.	362/190
3,711,703	A	1/1973	Bacevius		
D247,457	S *	3/1978	Zelina	D26/46
D256,167	S *	7/1980	Thomson	D26/42
D267,514	S *	1/1983	Leung	D26/37
4,954,934	A *	9/1990	Kidder et al.	362/156
5,934,790	A	8/1999	Quintana et al.		
D421,811	S	3/2000	Prepas		
6,099,140	A	8/2000	Norris		
D438,656	S *	3/2001	Lupica	D26/37
6,508,568	B1	1/2003	Blue-Recio		
6,547,415	B1	4/2003	Matthews		

D476,102	S *	6/2003	Ciavolino	D26/37
D477,463	S *	7/2003	Leen	D3/294
6,848,808	B2	2/2005	Guerrieri		
D508,748	S	8/2005	Man		
D518,906	S *	4/2006	Stoddard et al.	D26/37
D544,620	S *	6/2007	Son	D26/37
D551,367	S *	9/2007	Mok et al.	D26/37
D551,368	S *	9/2007	Shiu	D26/37
2005/0013128	A1	1/2005	Worthington		
2005/0047124	A1	3/2005	Hsien		

* cited by examiner

Primary Examiner—Robert M. Spear
Assistant Examiner—Susan E Krakower

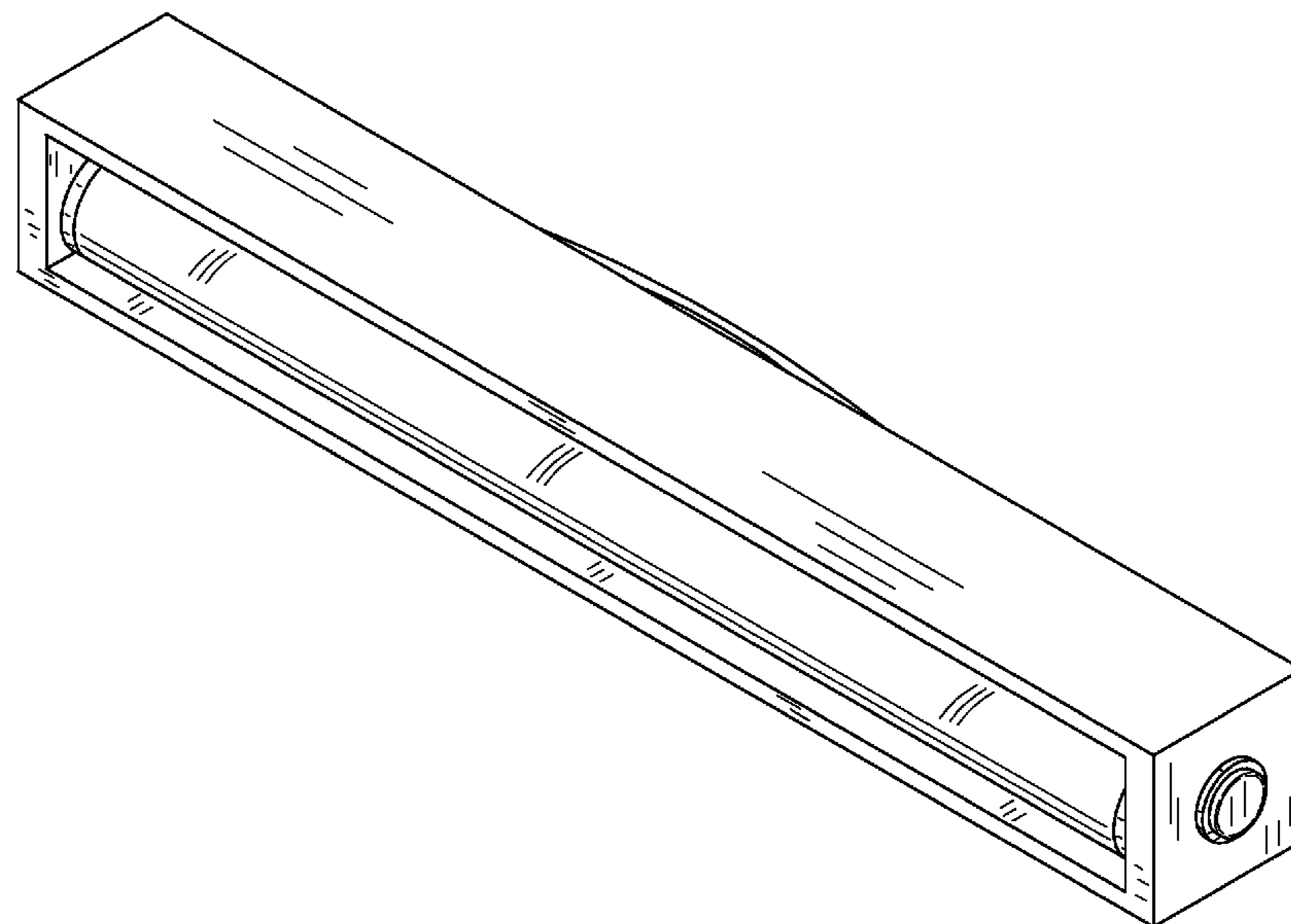
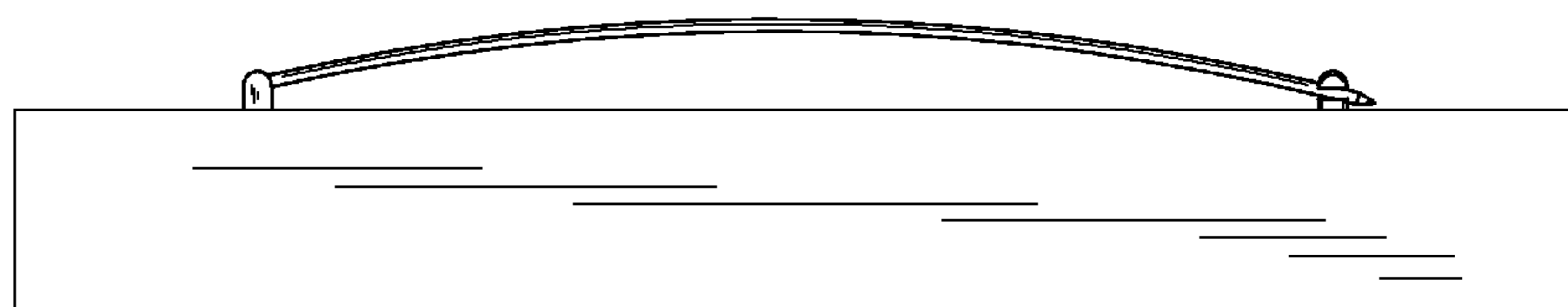
(57) **CLAIM**

The ornamental design for a carrying bag light assembly, as shown and described.

DESCRIPTION

FIG. 1 is a front elevation view of a carrying bag light assembly showing my new design;
FIG. 2 is a rear elevation view;
FIG. 3 is a left elevation view;
FIG. 4 is a right elevation view;
FIG. 5 is a top plan view;
FIG. 6 is a bottom plan view; and,
FIG. 7 is a front isometric view.

1 Claim, 2 Drawing Sheets



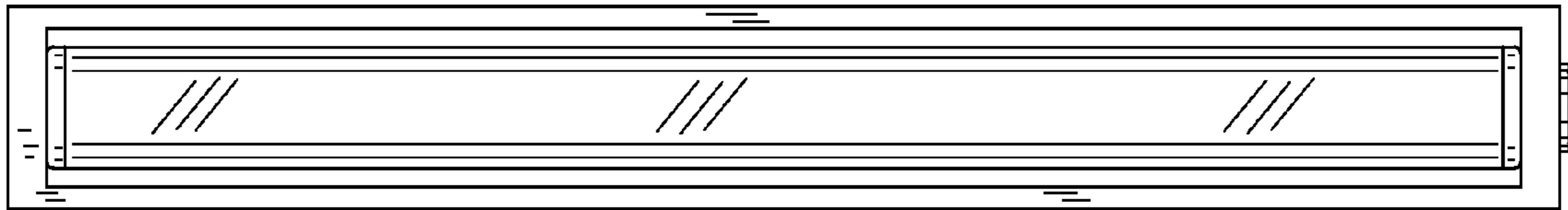


FIG. 1

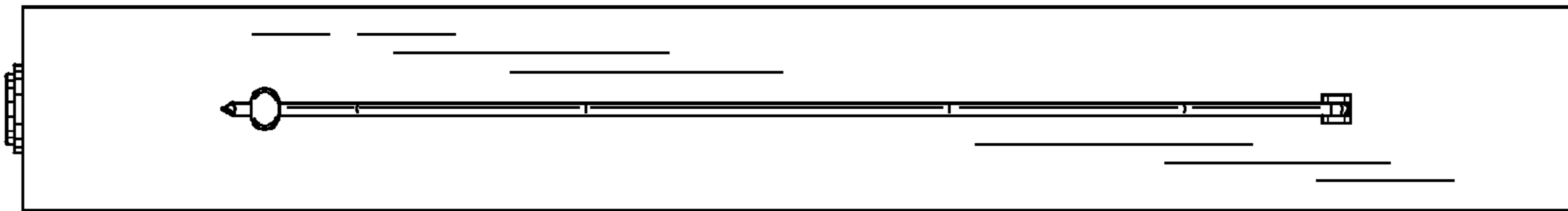


FIG. 2

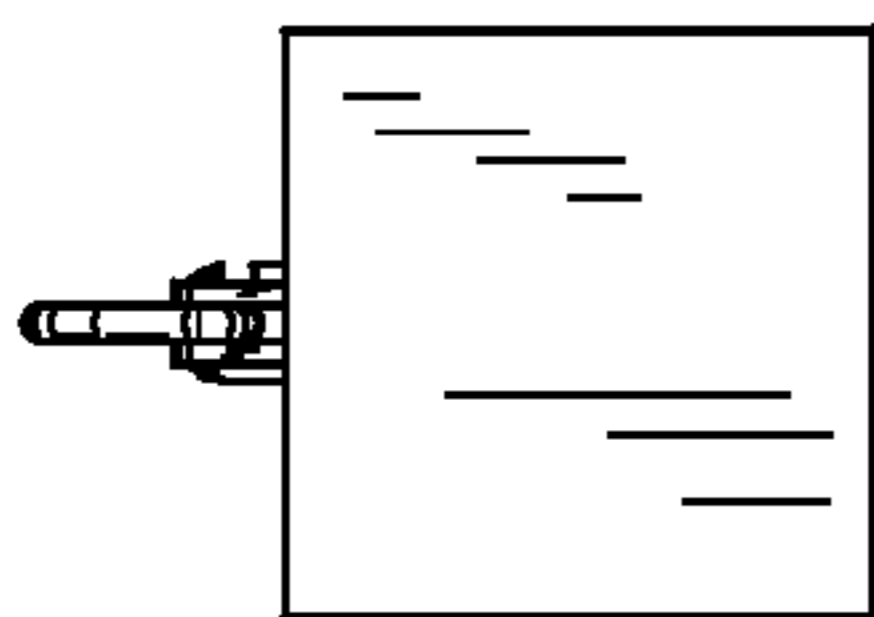


FIG. 3

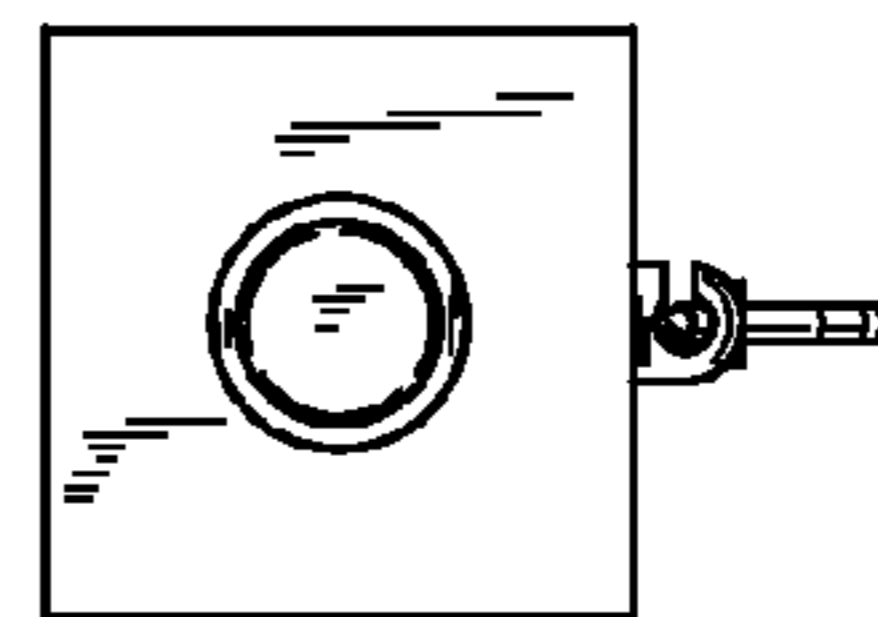


FIG. 4

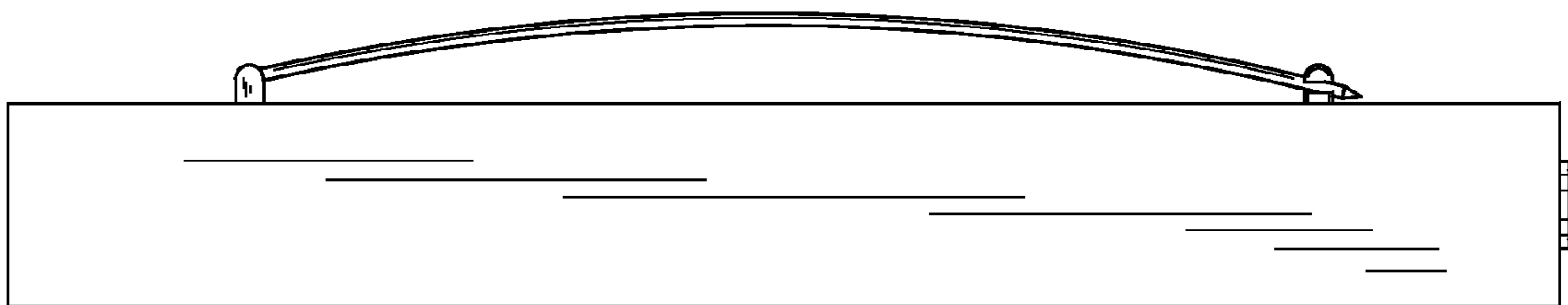


FIG. 5

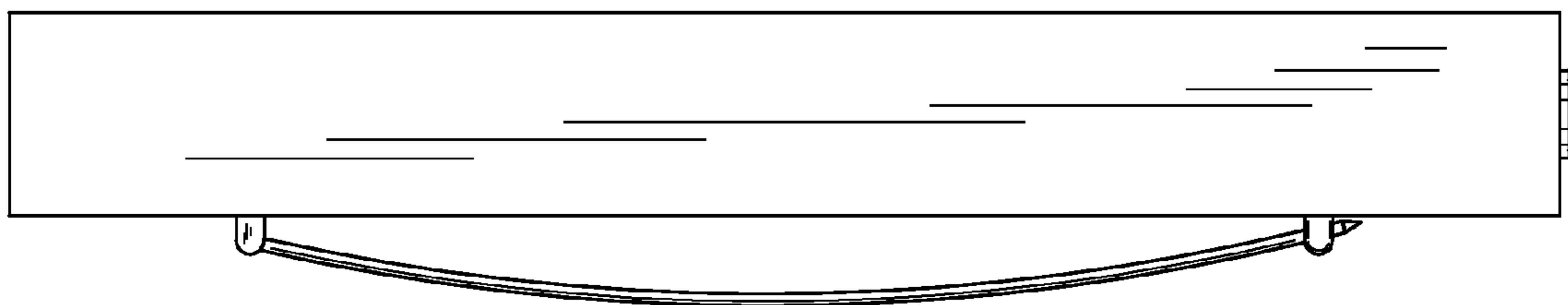


FIG. 6

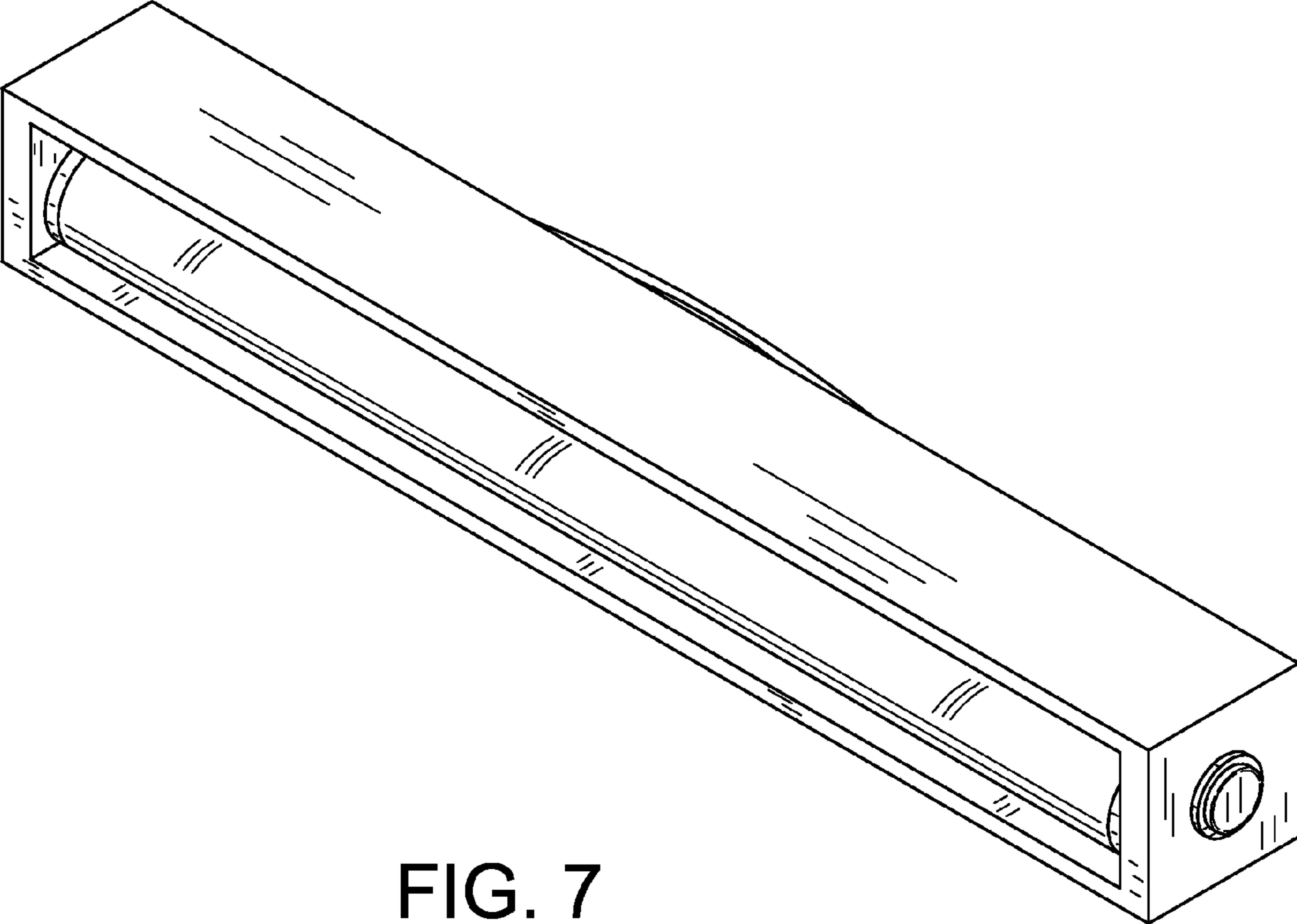


FIG. 7