



US00D562997S

(12) **United States Design Patent**
Uemoto et al.

(10) **Patent No.:** **US D562,997 S**

(45) **Date of Patent:** **** Feb. 26, 2008**

(54) **MOTORCYCLE TAIL LIGHT**

D477,678 S * 7/2003 Lin D26/28
D535,768 S * 1/2007 Mikami et al. D26/28
D538,955 S * 3/2007 Katagiri et al. D26/28

(75) Inventors: **Takumi Uemoto**, Kobe (JP); **Keishi Fukumoto**, Akashi (JP)

(73) Assignee: **Kawasaki Jukogyo Kabushiki Kaisha**, Hyogo (JP)

* cited by examiner

Primary Examiner—Marcus A. Jackson

(**) Term: **14 Years**

(57) **CLAIM**

(21) Appl. No.: **29/197,521**

The ornamental design for motorcycle tail light, as shown and described.

(22) Filed: **Jan. 15, 2004**

(30) **Foreign Application Priority Data**

DESCRIPTION

Jul. 17, 2003 (JP) 2003-020749

FIG. 1 is a front elevational view of motorcycle tail light showing our new design;

(51) **LOC (8) Cl.** **26-06**

FIG. 2 is a rear elevational view thereof;

(52) **U.S. Cl.** **D26/28**

FIG. 3 is a bottom plan view thereof;

(58) **Field of Classification Search** D26/28-36;
362/459-468, 475-478, 485-487

FIG. 4 is a top plan view thereof;

See application file for complete search history.

FIG. 5 is a right side elevational view thereof;

(56) **References Cited**

FIG. 6 is a left side elevational view thereof; and,

U.S. PATENT DOCUMENTS

FIG. 7 is a perspective view thereof.

D471,999 S * 3/2003 Yoshida et al. D26/28

1 Claim, 4 Drawing Sheets

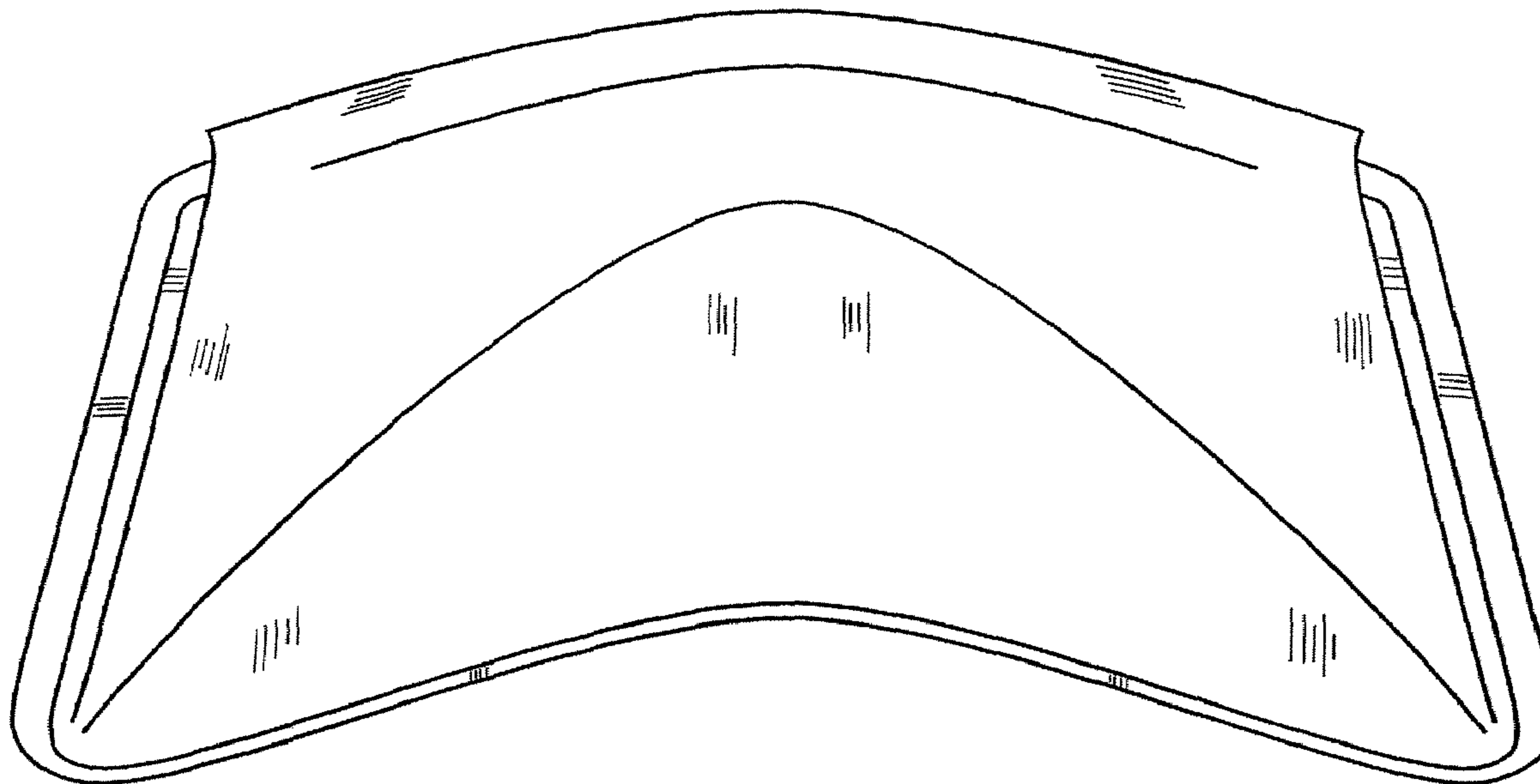


Fig.1

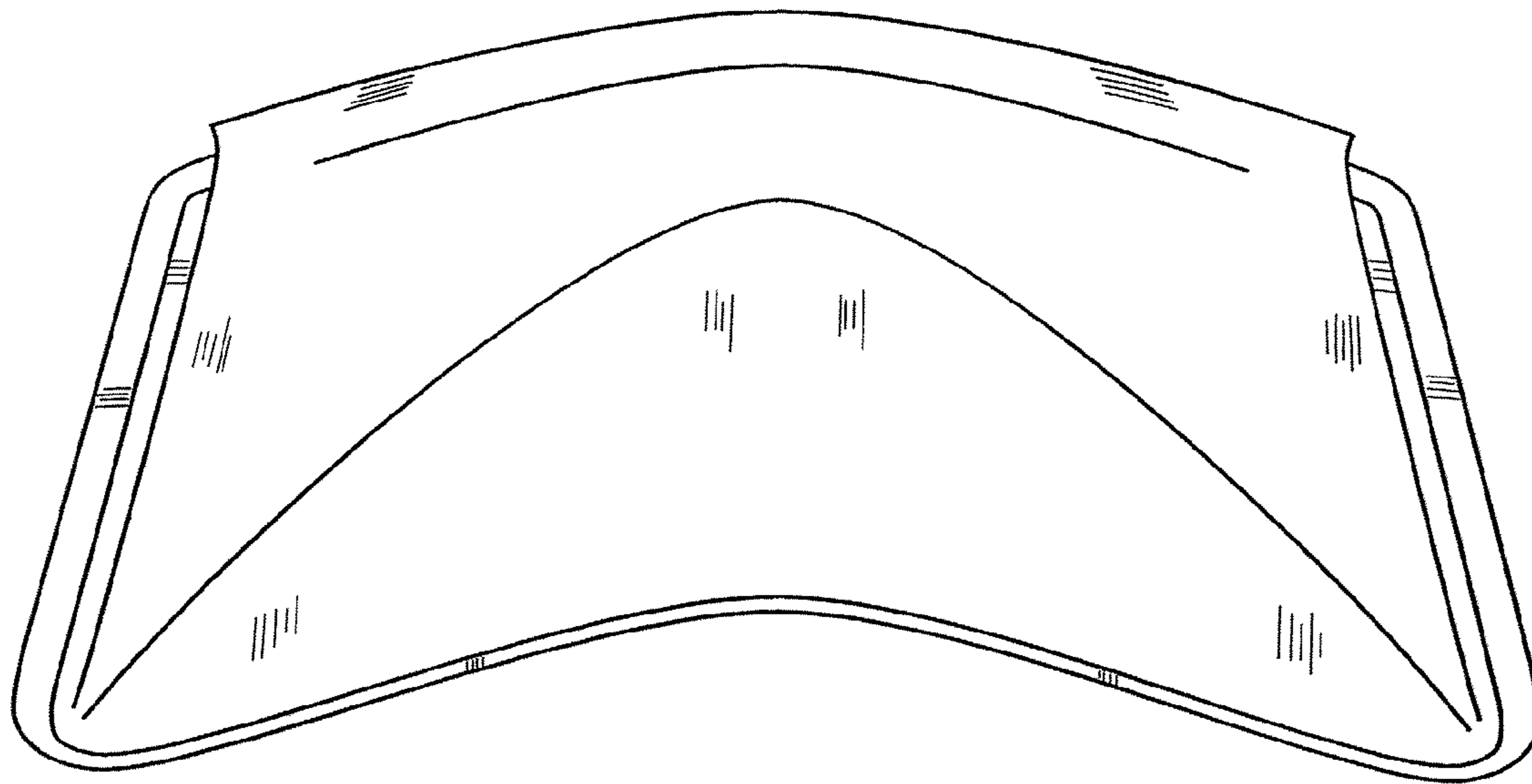


Fig.2

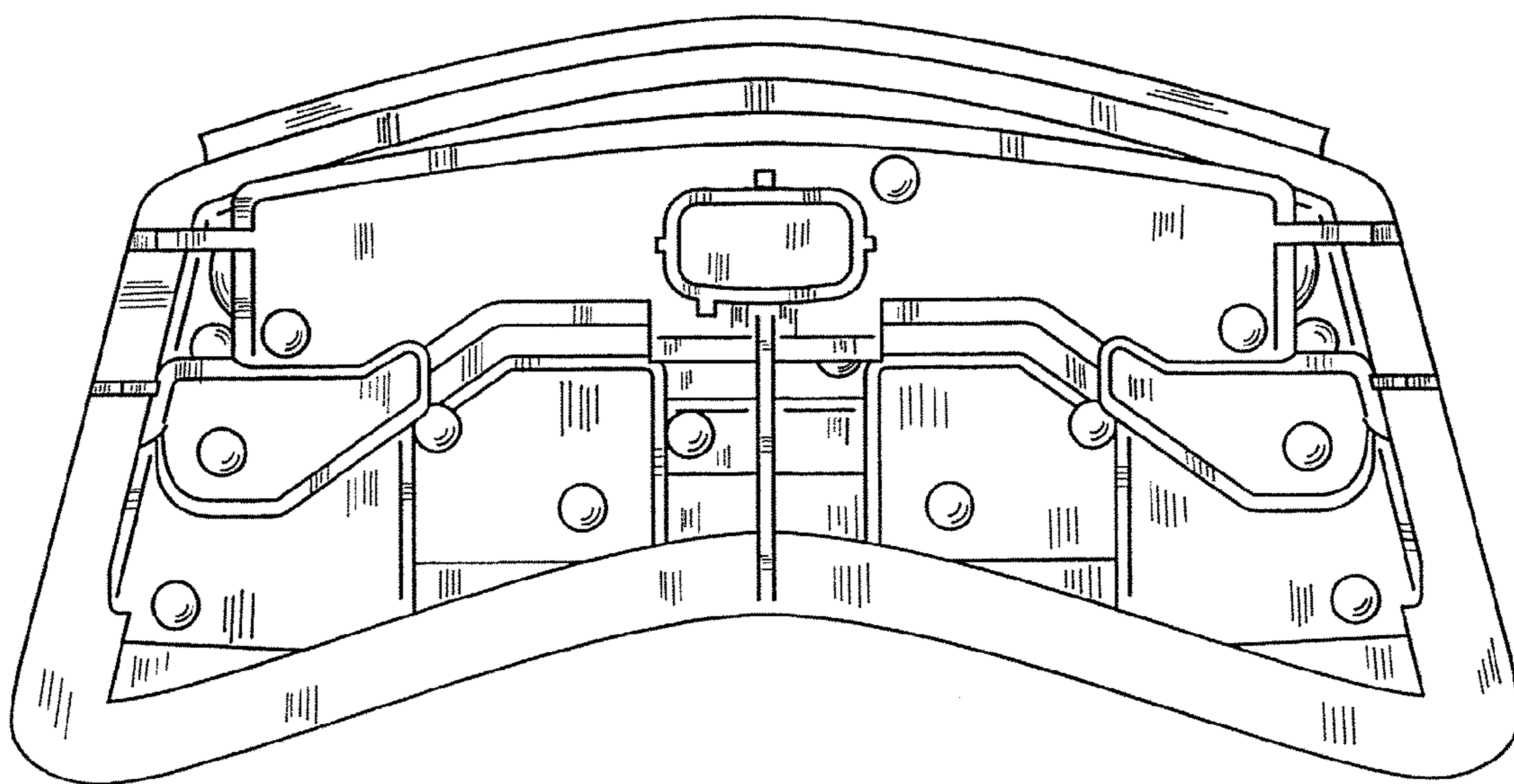


Fig.3

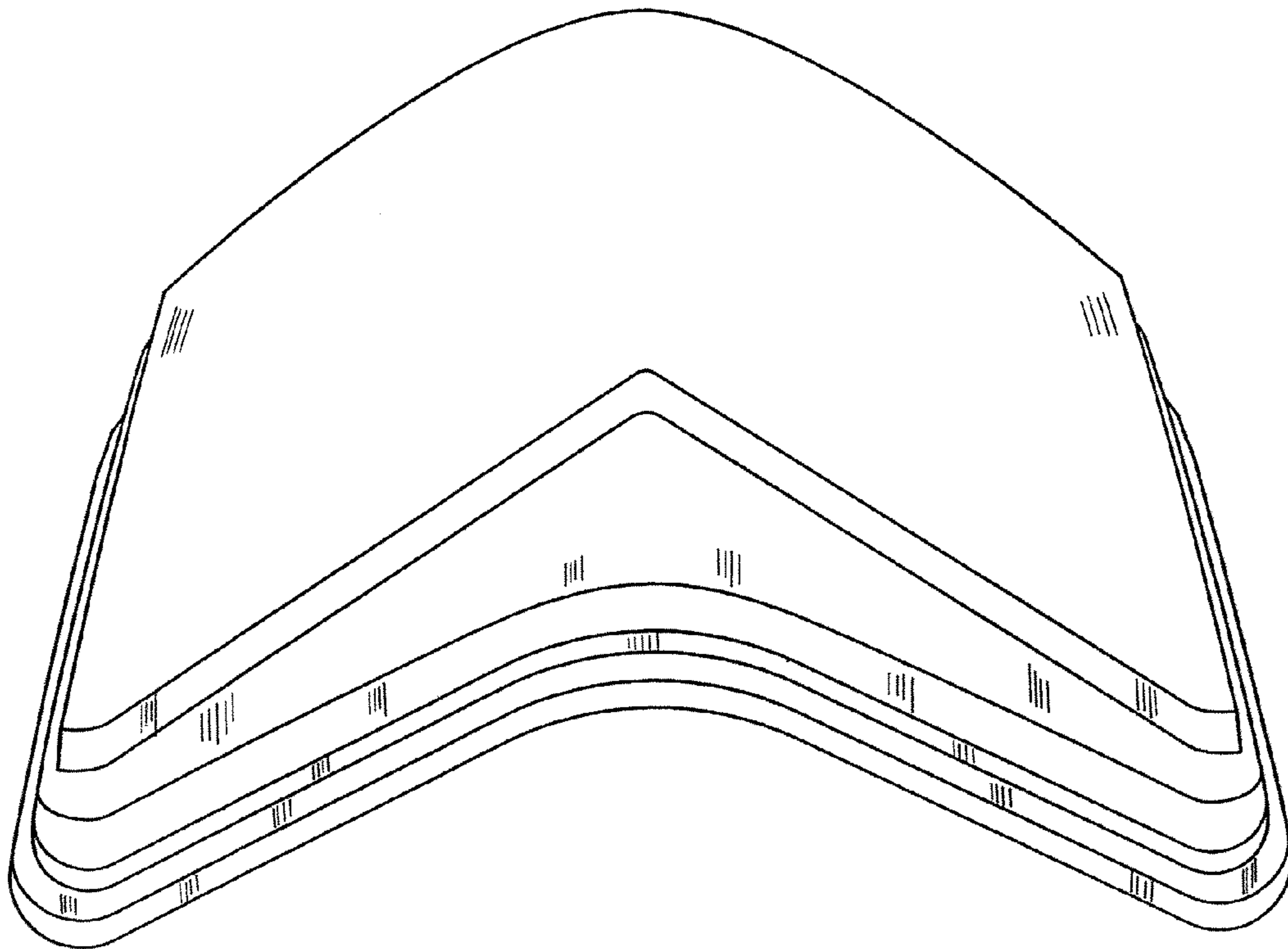


Fig.4

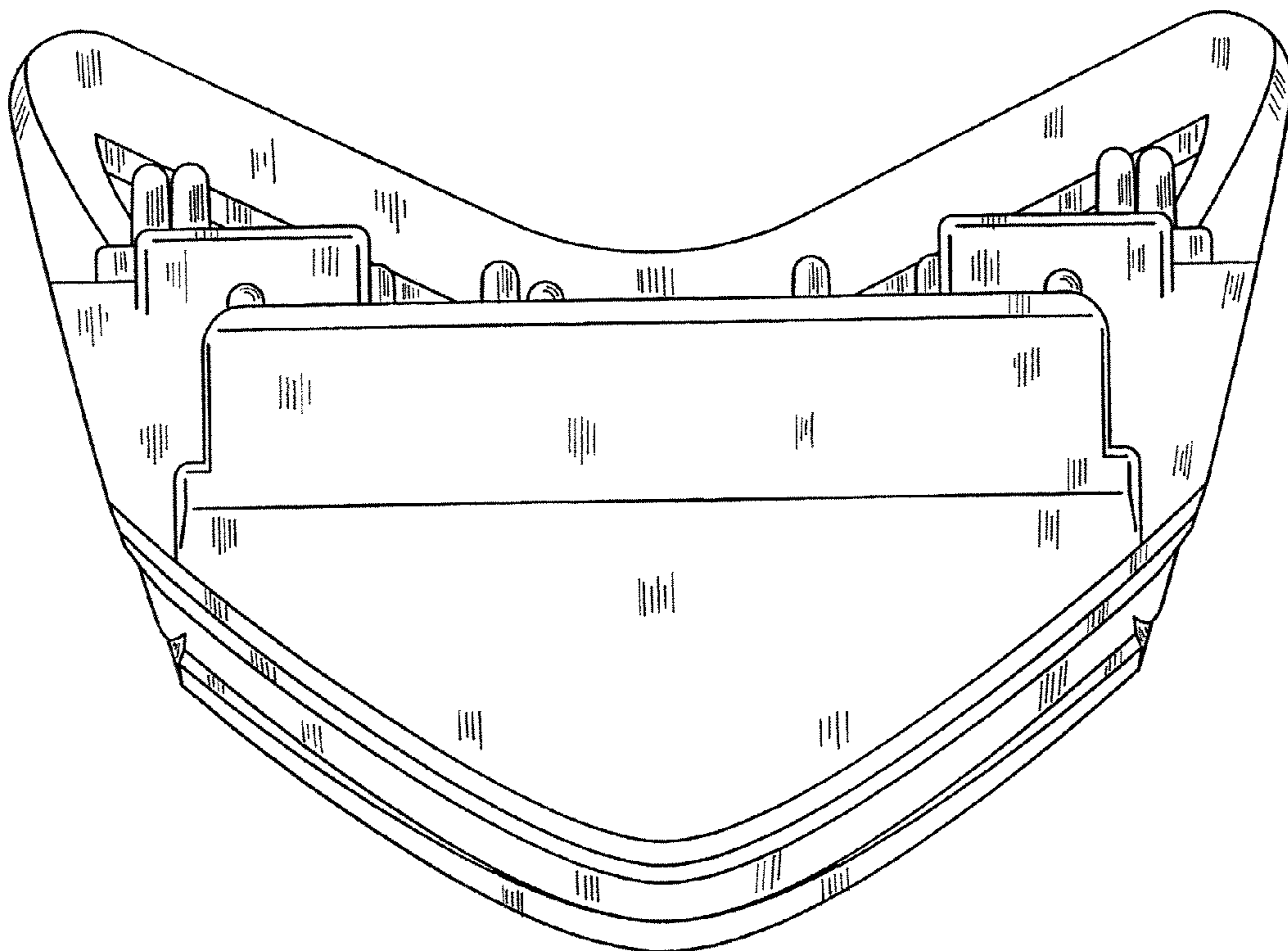


Fig.5

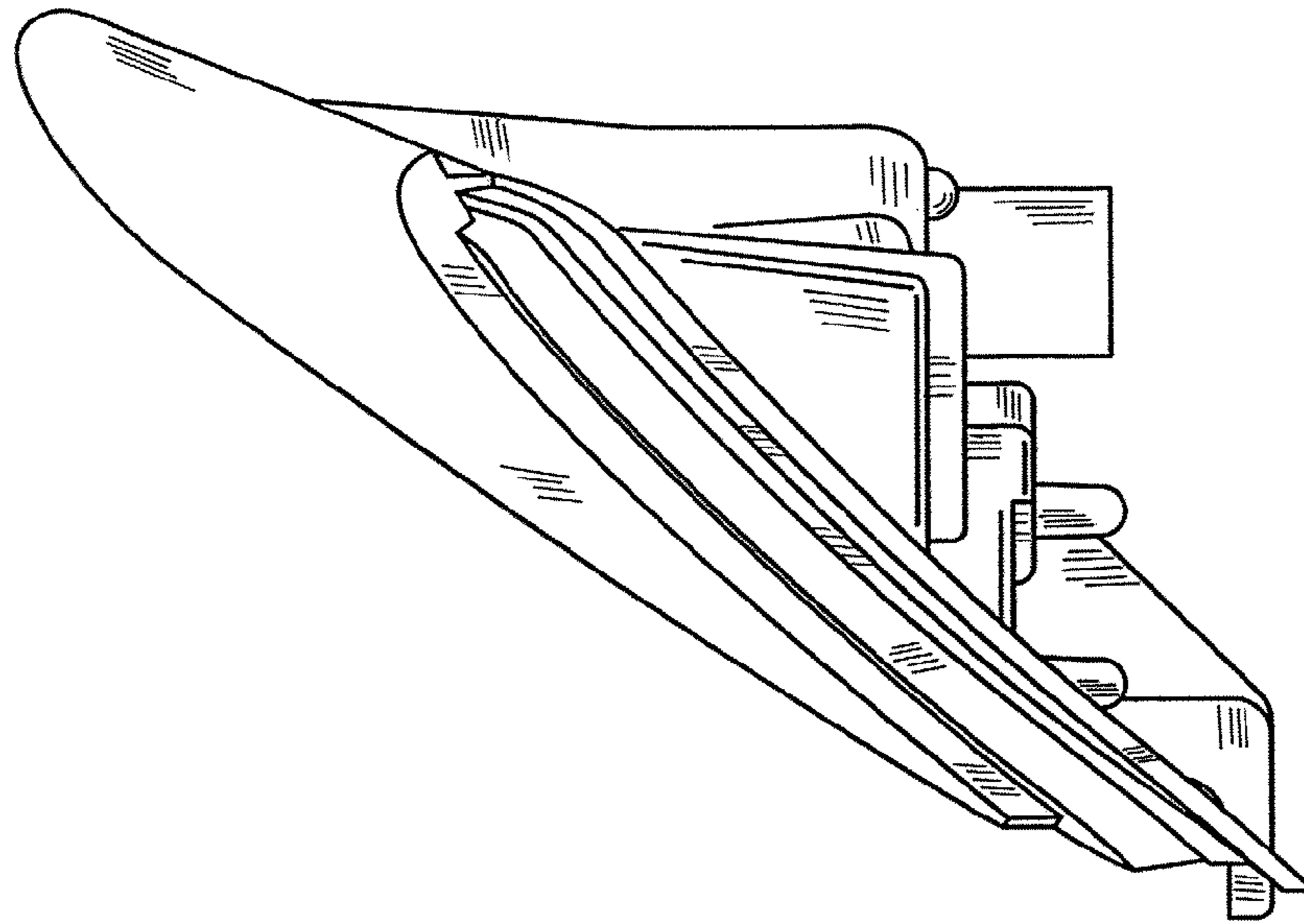


Fig.6

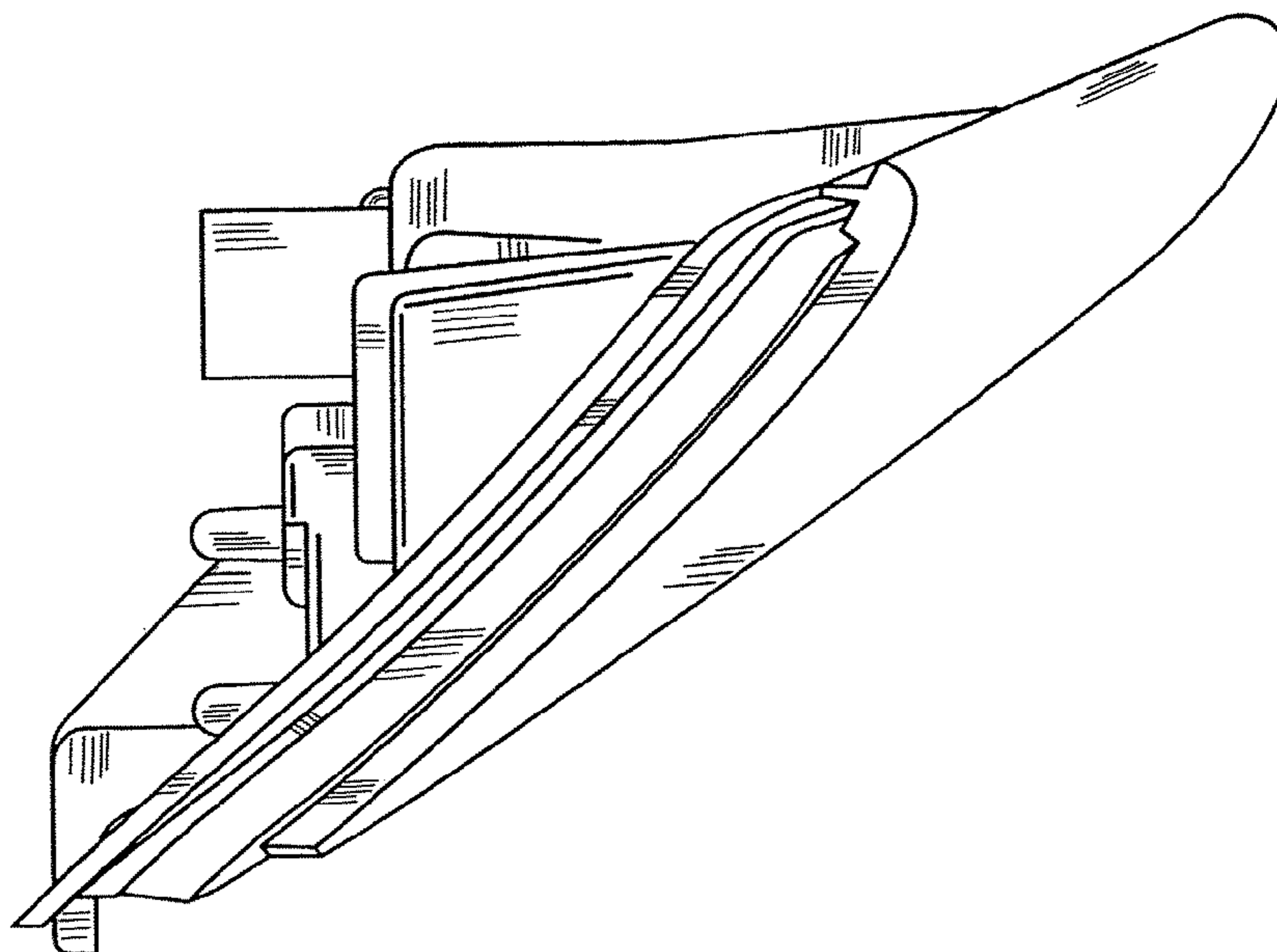


Fig.7

