



US00D562988S

(12) **United States Design Patent**
Pogorzelski

(10) **Patent No.:** **US D562,988 S**

(45) **Date of Patent:** **** Feb. 26, 2008**

(54) **CUVETTE**

D472,324 S * 3/2003 Rumore et al. D24/224

(75) Inventor: **Norbert Pogorzelski**, Helsingborg (SE)

* cited by examiner

(73) Assignee: **Hemocue AB**, Ängelholm (SE)

Primary Examiner—Louis S. Zarfaz

Assistant Examiner—Anhdao Doan

(**) Term: **14 Years**

(74) *Attorney, Agent, or Firm*—Buchanan Ingersoll & Rooney PC

(21) Appl. No.: **29/257,019**

(22) Filed: **Mar. 29, 2006**

(57) **CLAIM**

(51) **LOC (8) Cl.** **24-01**

The ornamental design for a cuvette, as shown and described.

(52) **U.S. Cl.** **D24/224**

(58) **Field of Classification Search** D24/216–230;
422/55, 56, 58, 61, 101, 102, 104; 435/307.1;
356/246

DESCRIPTION

See application file for complete search history.

FIG. 1 is a top, side perspective view of a cuvette showing my new design.

FIG. 2 is a bottom, side perspective view thereof.

FIG. 3 is a top plan view thereof.

FIG. 4 is a front elevational view thereof.

FIG. 5 is a right side elevational view thereof.

FIG. 6 is a rear elevational view thereof.

FIG. 7 is a bottom plan view thereof; and,

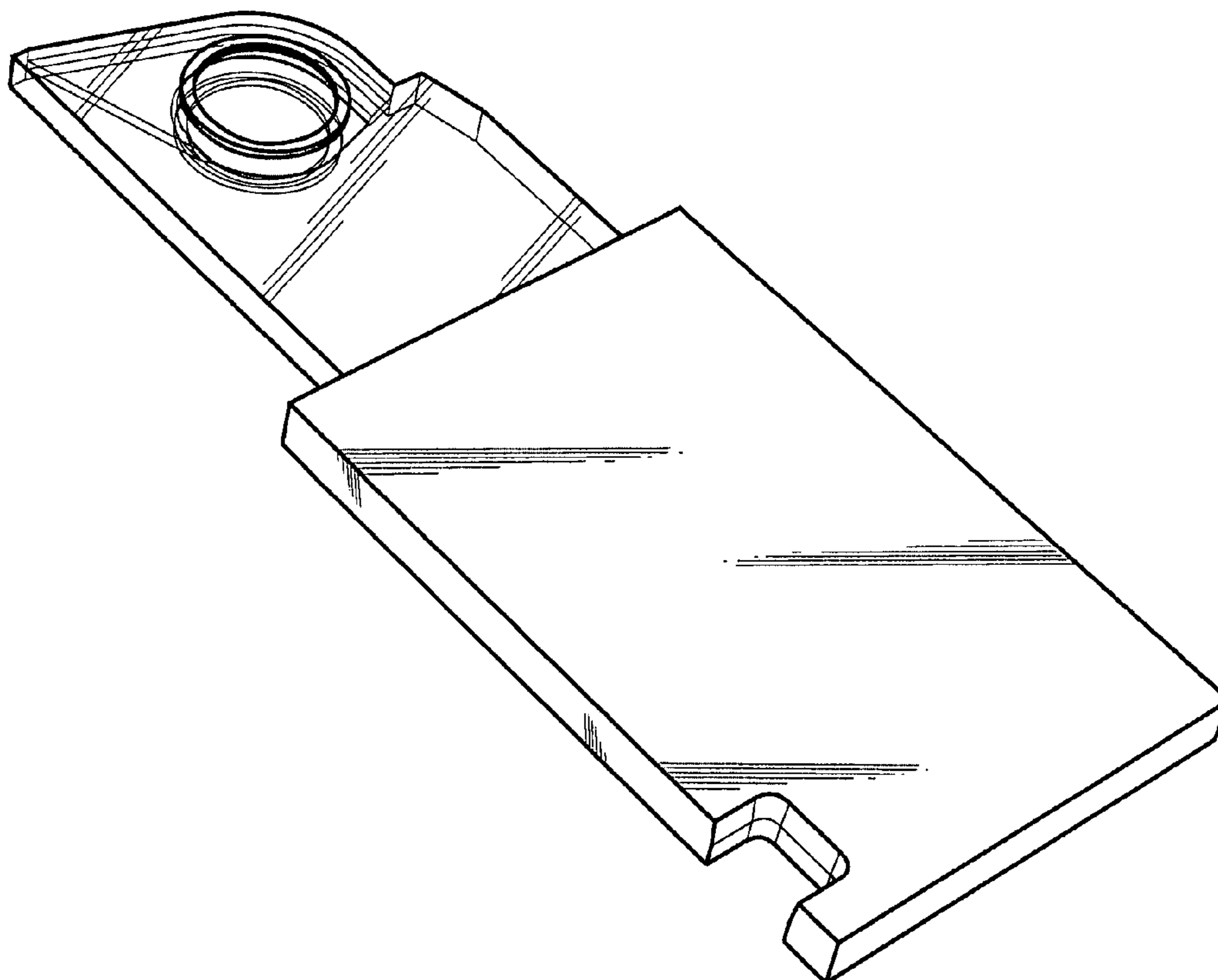
FIG. 8 is a left side elevational view thereof.

(56) **References Cited**

U.S. PATENT DOCUMENTS

4,761,381	A *	8/1988	Blatt et al.	422/102
D337,388	S	7/1993	Nilsson et al.	
5,674,457	A *	10/1997	Williamsson et al.	422/102
D395,708	S *	6/1998	Shartle et al.	D24/224
D433,150	S	10/2000	Wahlqvist et al.	
D438,311	S *	2/2001	Yamanishi et al.	D24/225
D439,987	S *	4/2001	Yamanishi et al.	D24/225
D445,909	S	7/2001	Pogorzelski	

1 Claim, 4 Drawing Sheets



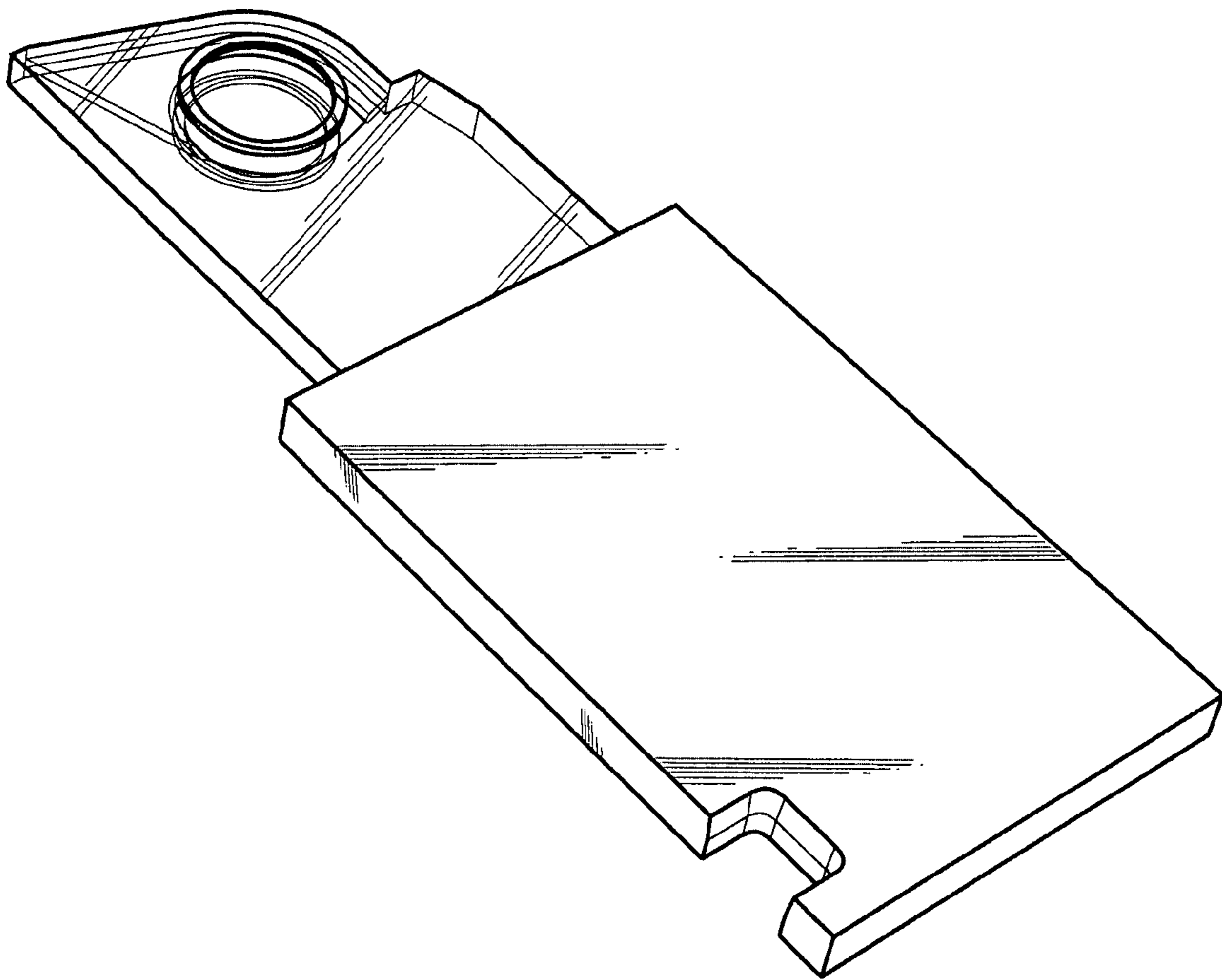


Fig. 1

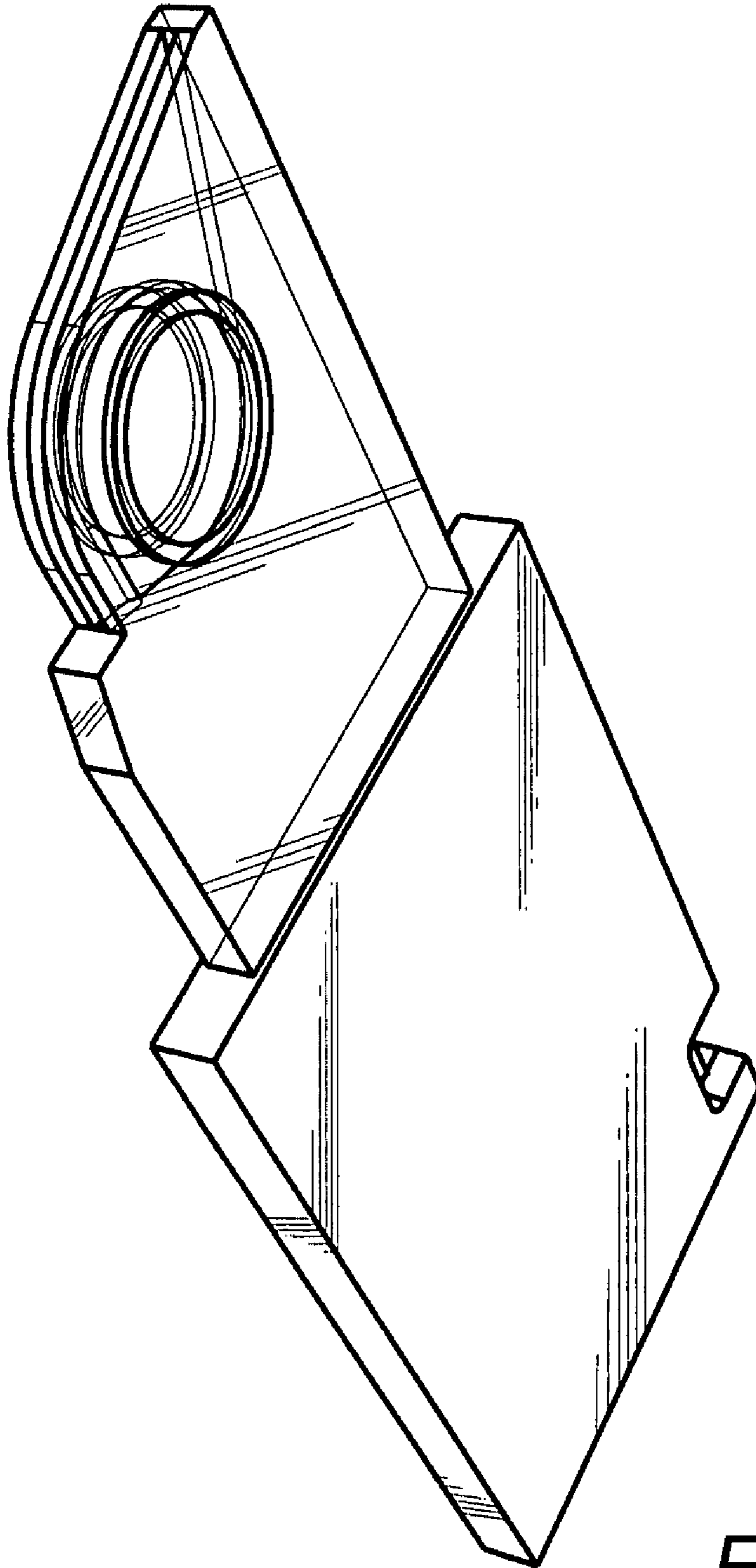


Fig. 2

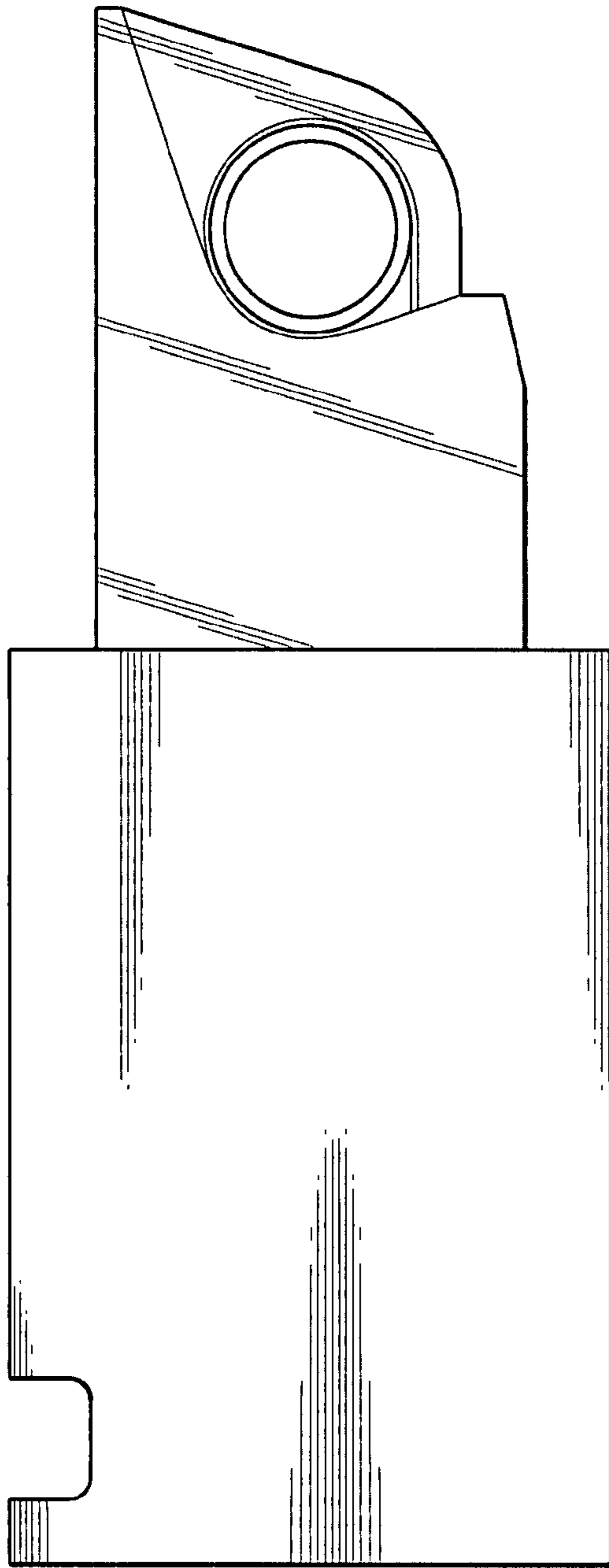


Fig. 3



Fig. 5



Fig. 4



Fig. 6

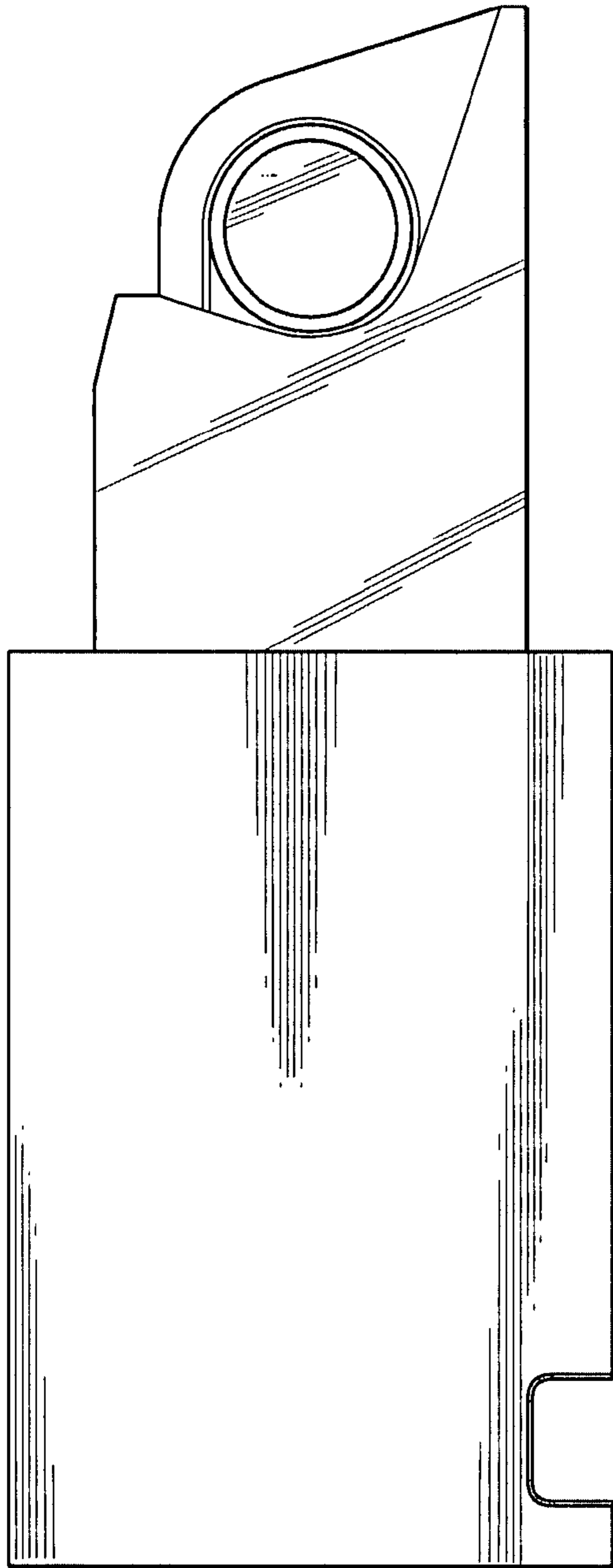


Fig. 7



Fig. 8