



US00D562986S

(12) **United States Design Patent**
Shurm

(10) **Patent No.:** **US D562,986 S**

(45) **Date of Patent:** **** Feb. 26, 2008**

(54) **MAGNETIC ARM BAND**

(76) **Inventor:** **Michael Shurm**, 6718 Gentry Oaks Pl.,
San Jose, CA (US) 95138

(**) **Term:** **14 Years**

(21) **Appl. No.:** **29/280,547**

(22) **Filed:** **May 31, 2007**

Related U.S. Application Data

(63) Continuation of application No. 10/894,499, filed on
Jul. 20, 2004, now abandoned.

(51) **LOC (8) Cl.** **24-04**

(52) **U.S. Cl.** **D24/200**

(58) **Field of Classification Search** D24/200,
D24/206, 207, 189, 190; 602/20-22, 60-64;
D29/121.1, 23, 120.1; 601/15; 600/9, 15
See application file for complete search history.

(56) **References Cited**

U.S. PATENT DOCUMENTS

- D261,936 S * 11/1981 Sumiyasu D24/211
- D324,733 S * 3/1992 O'Brient et al. D24/206
- D325,637 S * 4/1992 O'Brien et al. D24/206
- D427,316 S * 6/2000 Ruscitti D24/191

- 6,093,143 A * 7/2000 Nagler 600/15
- D432,240 S * 10/2000 Katz et al. D24/200
- D533,668 S * 12/2006 Brown D24/190

* cited by examiner

Primary Examiner—Charles A. Rademaker

Assistant Examiner—Melanie Levy

(74) *Attorney, Agent, or Firm*—Schneck & Schneck; David
M. Schneck

(57) **CLAIM**

The ornamental design for a magnetic arm band, as shown
and described.

DESCRIPTION

FIG. 1 is a perspective view illustrating a magnetic arm band
of my design;

FIG. 2 is a front view thereof;

FIG. 3 is a back view thereof;

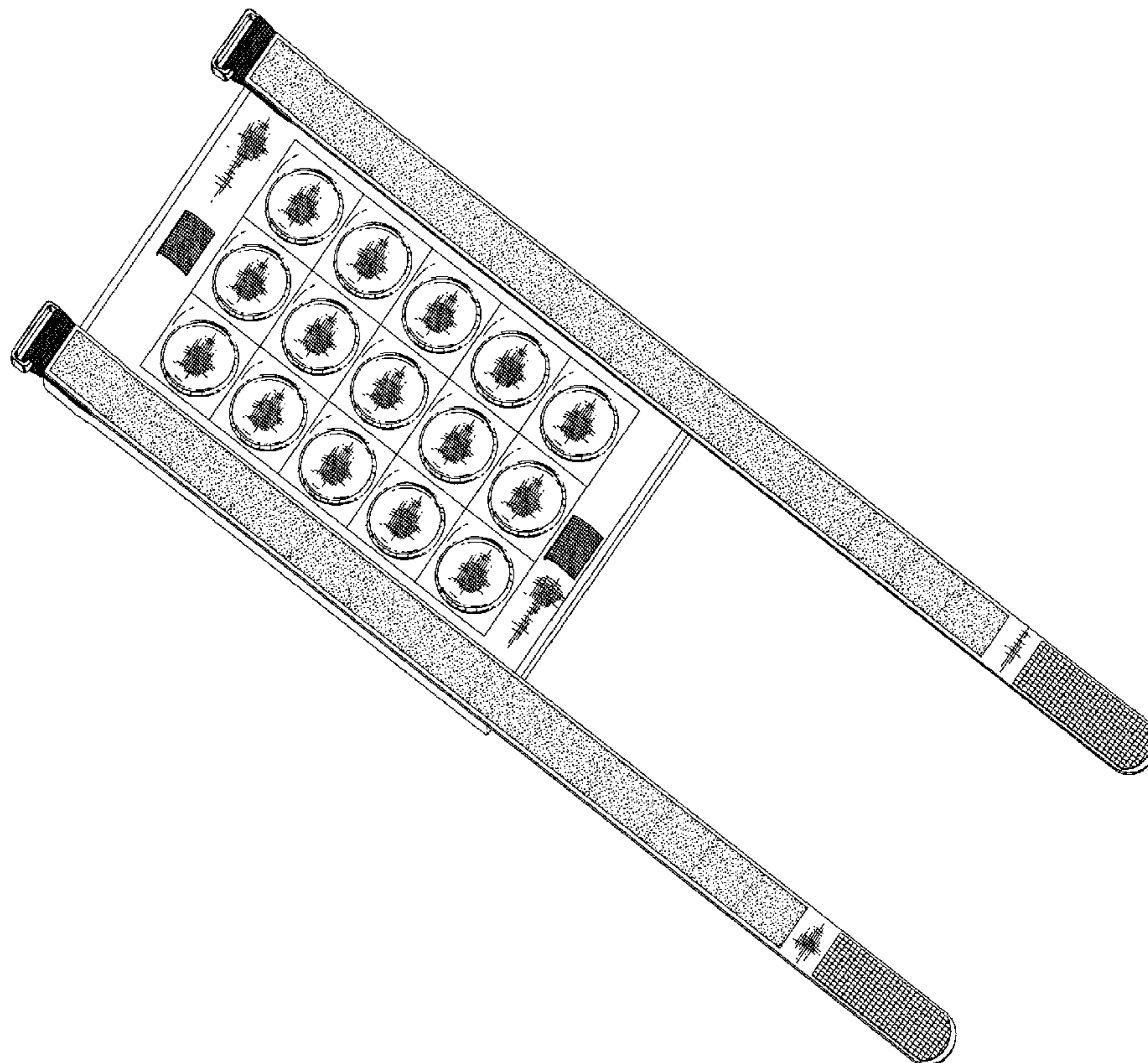
FIG. 4 is a right side view thereof;

FIG. 5 is a left side view thereof;

FIG. 6 is a top view thereof; and,

FIG. 7 is a bottom view thereof.

1 Claim, 4 Drawing Sheets



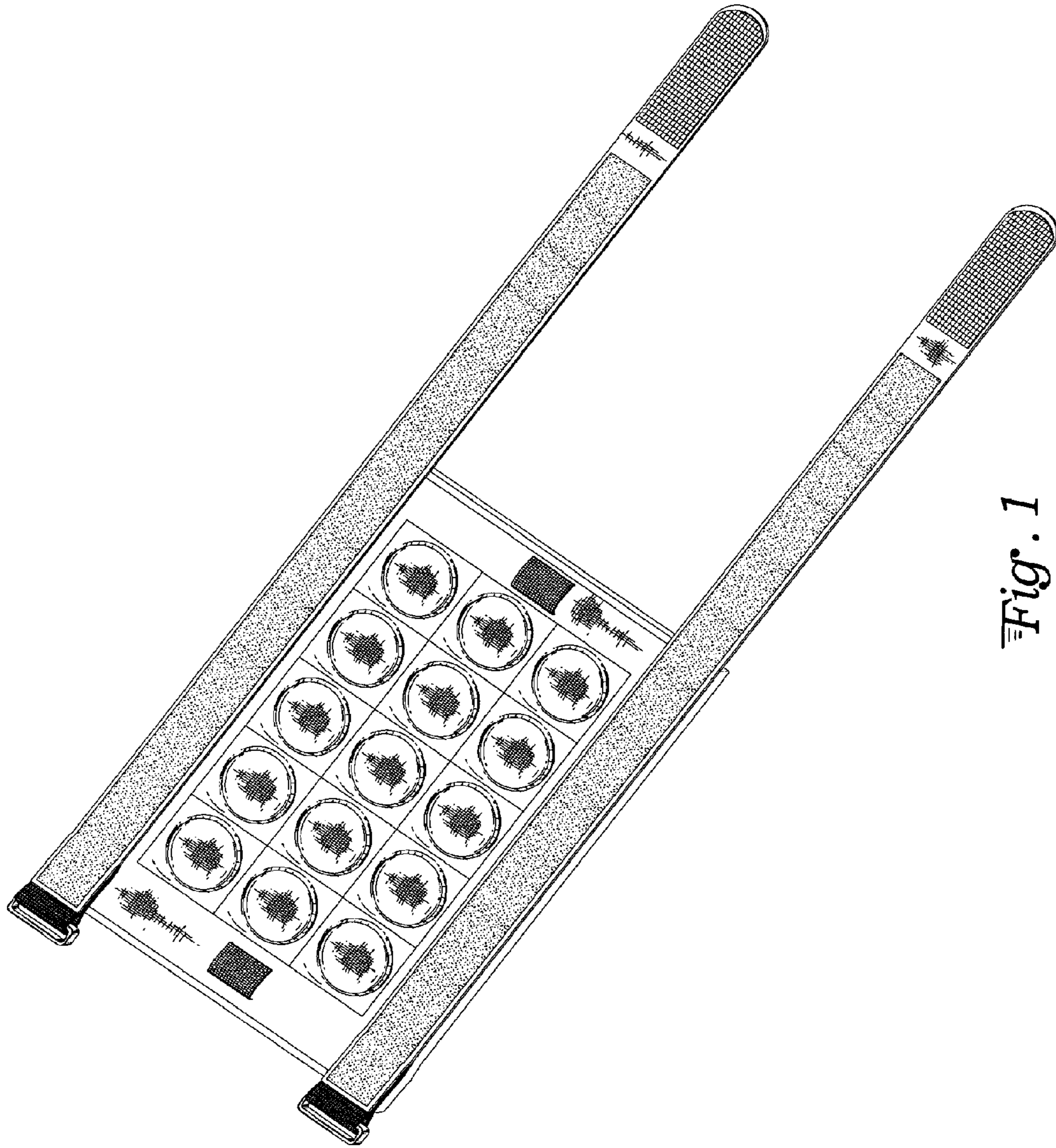
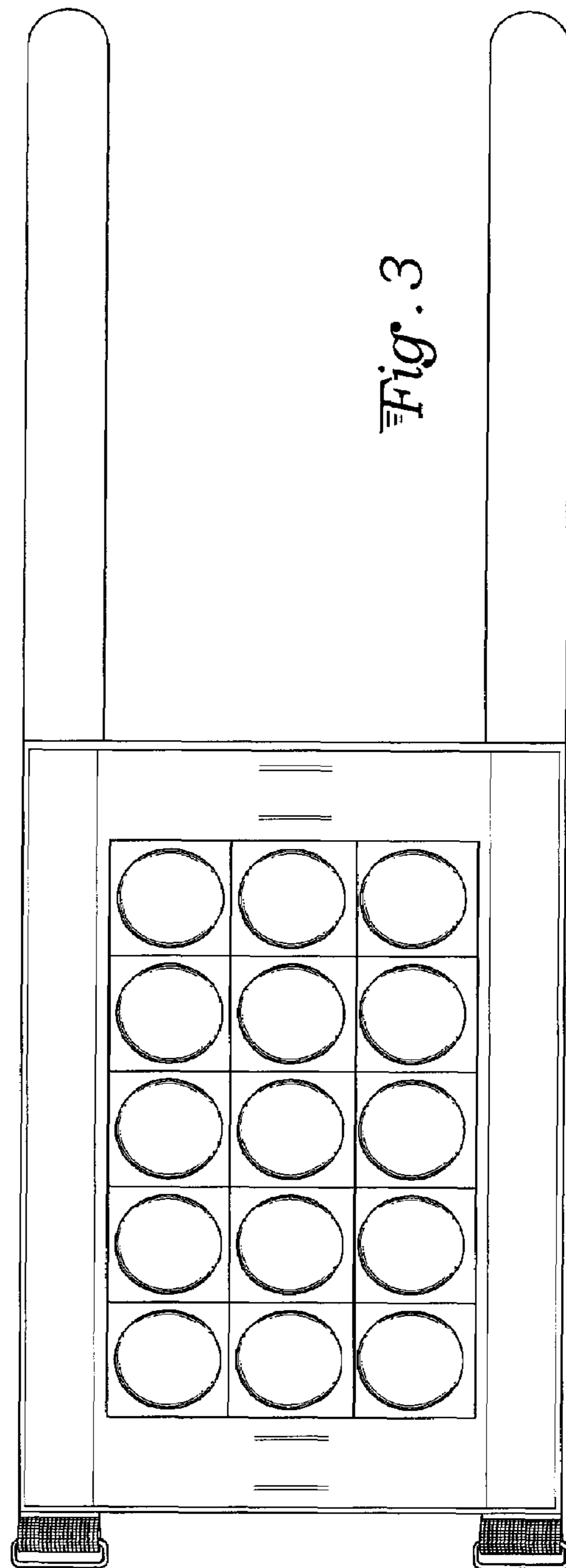
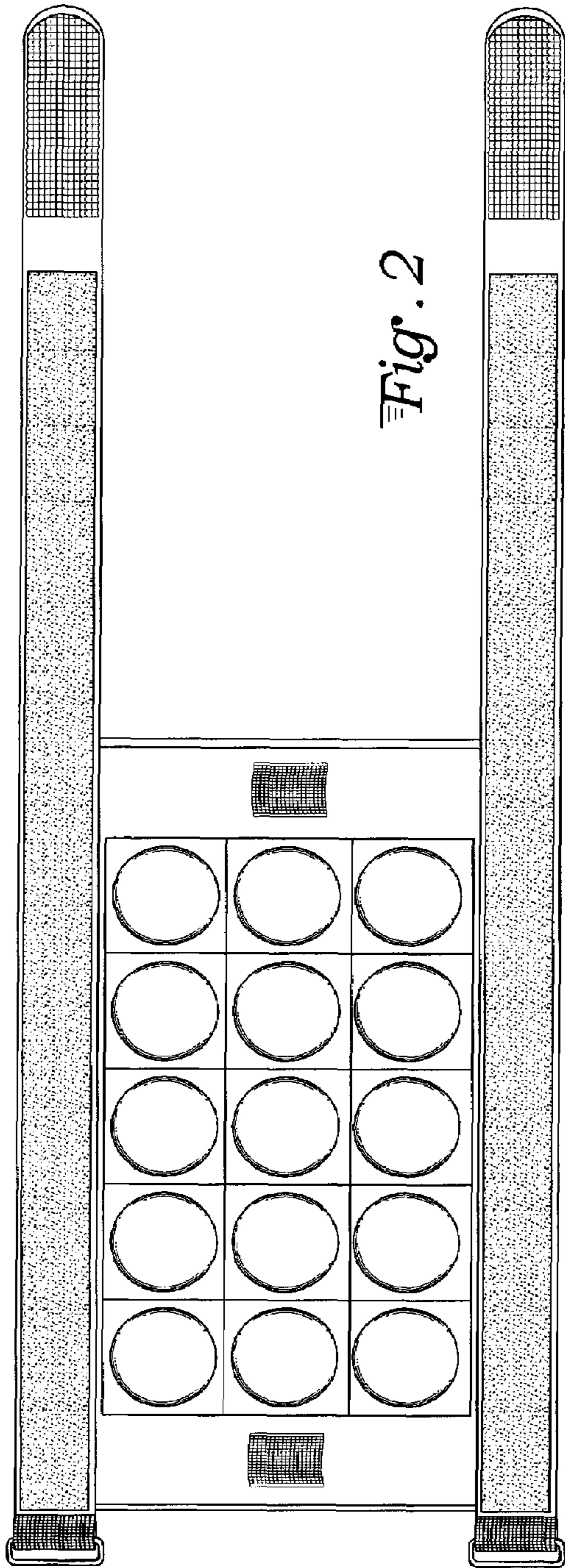


Fig. 1



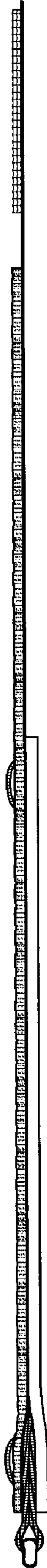


Fig. 4

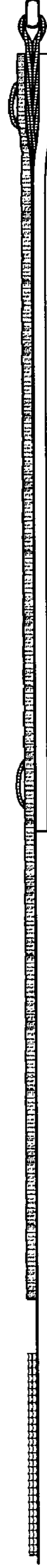


Fig. 5



Fig. 6



Fig. 7