



US00D562984S

(12) **United States Design Patent**
Becerra et al.

(10) **Patent No.:** **US D562,984 S**
(45) **Date of Patent:** **** Feb. 26, 2008**

(54) **SPINAL DISTRACTION STRUCTURE**

(57) **CLAIM**

(75) Inventors: **Carlos Becerra**, Atlanta, GA (US);
William K. Chandler, Lawrenceville,
GA (US)

The ornamental design for a spinal distraction structure, as shown and described.

(73) Assignee: **North American Medical Corporation**, Marietta, GA (US)

DESCRIPTION

(**) Term: **14 Years**

(21) Appl. No.: **29/250,544**

(22) Filed: **Nov. 20, 2006**

(51) **LOC (8) Cl.** **24-02**

(52) **U.S. Cl.** **D24/183**

(58) **Field of Classification Search** D24/158,
D24/171, 183-186, 234; D6/367, 382, 384;
606/237, 242-243

See application file for complete search history.

FIG. 1 is an overhead isometric view of the front, top, and side of a spinal distraction structure showing our new design;

FIG. 2 is a top view thereof;

FIG. 3 is a side view, with the opposite side being a mirror image thereof;

FIG. 4 is a front view thereof;

FIG. 5 is a rear thereof;

FIG. 6 is an overhead isometric view of the front, top, and side of a second embodiment of a spinal distraction structure, in which the height and length are of indeterminate dimensions;

FIG. 7 is a top view thereof;

FIG. 8 is a side view, with the opposite side being a mirror image thereof;

FIG. 9 is a front view thereof; and,

FIG. 10 is a rear view thereof.

The broken lines shown are for illustrative purposes only and form no part of the claimed design.

(56) **References Cited**

U.S. PATENT DOCUMENTS

- 5,308,359 A * 5/1994 Lossing 606/242
- 6,638,299 B2 * 10/2003 Cox 606/243
- D495,510 S * 9/2004 Lacina D6/367
- 2006/0015145 A1 * 1/2006 Smith et al. 606/237

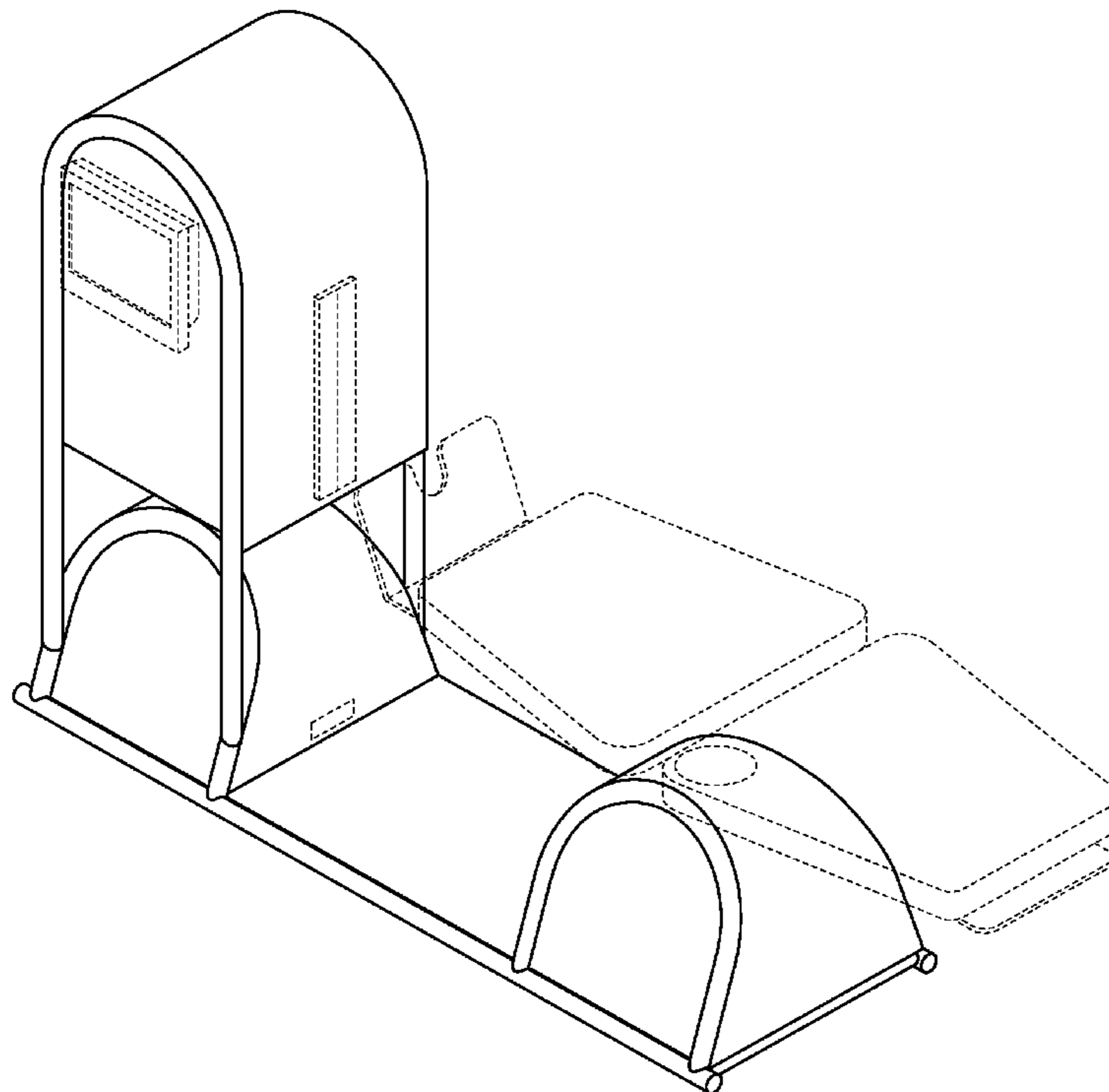
* cited by examiner

Primary Examiner—Robert A. Delehanty

Assistant Examiner—Mark Cavanna

(74) *Attorney, Agent, or Firm*—Bockhop & Associates, LLC; Bryan W. Bockhop

1 Claim, 6 Drawing Sheets



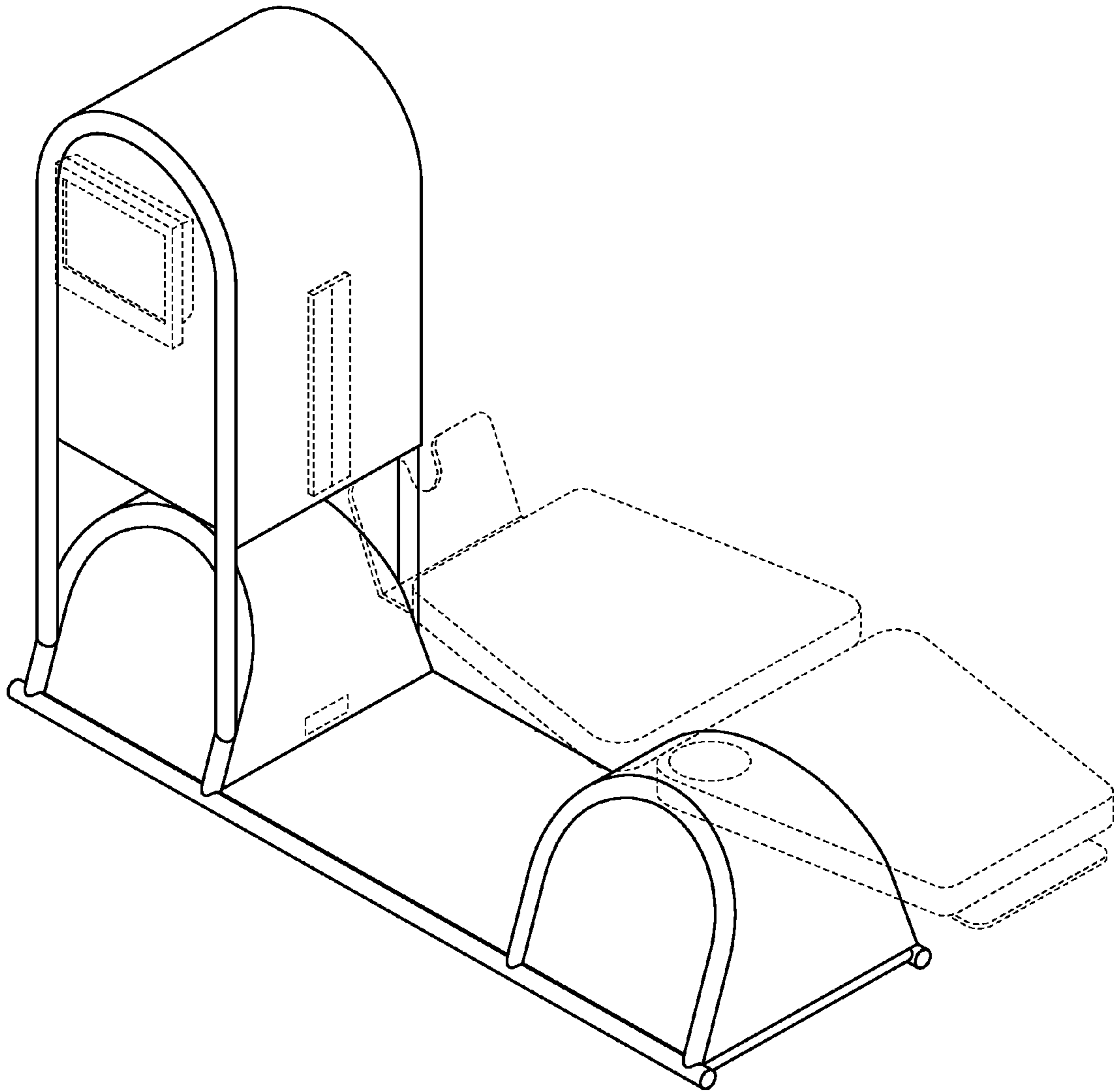


FIG. 1

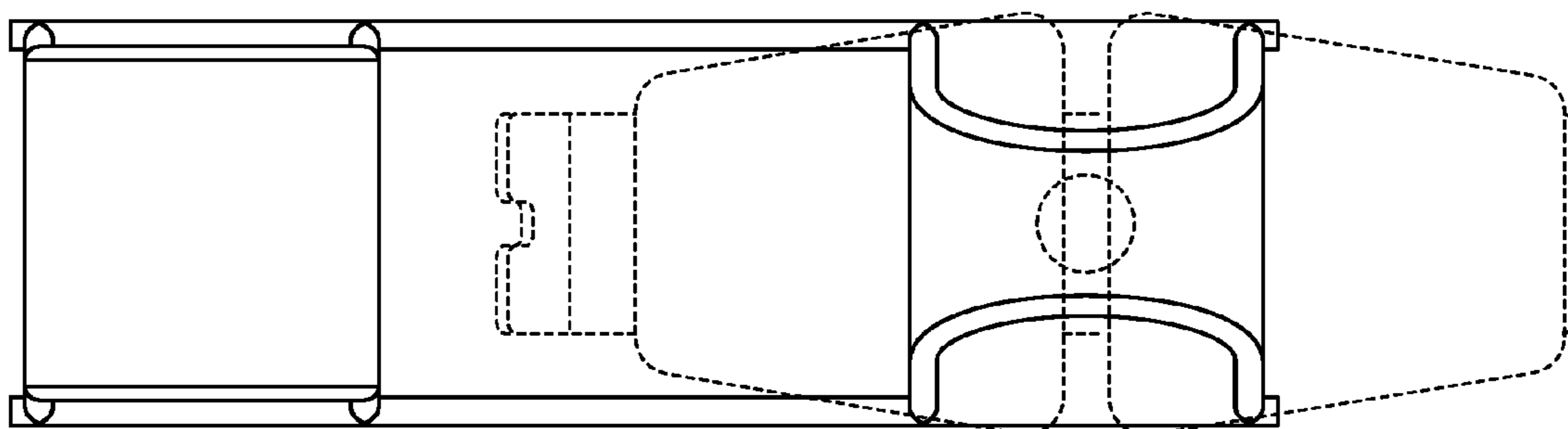


FIG. 2

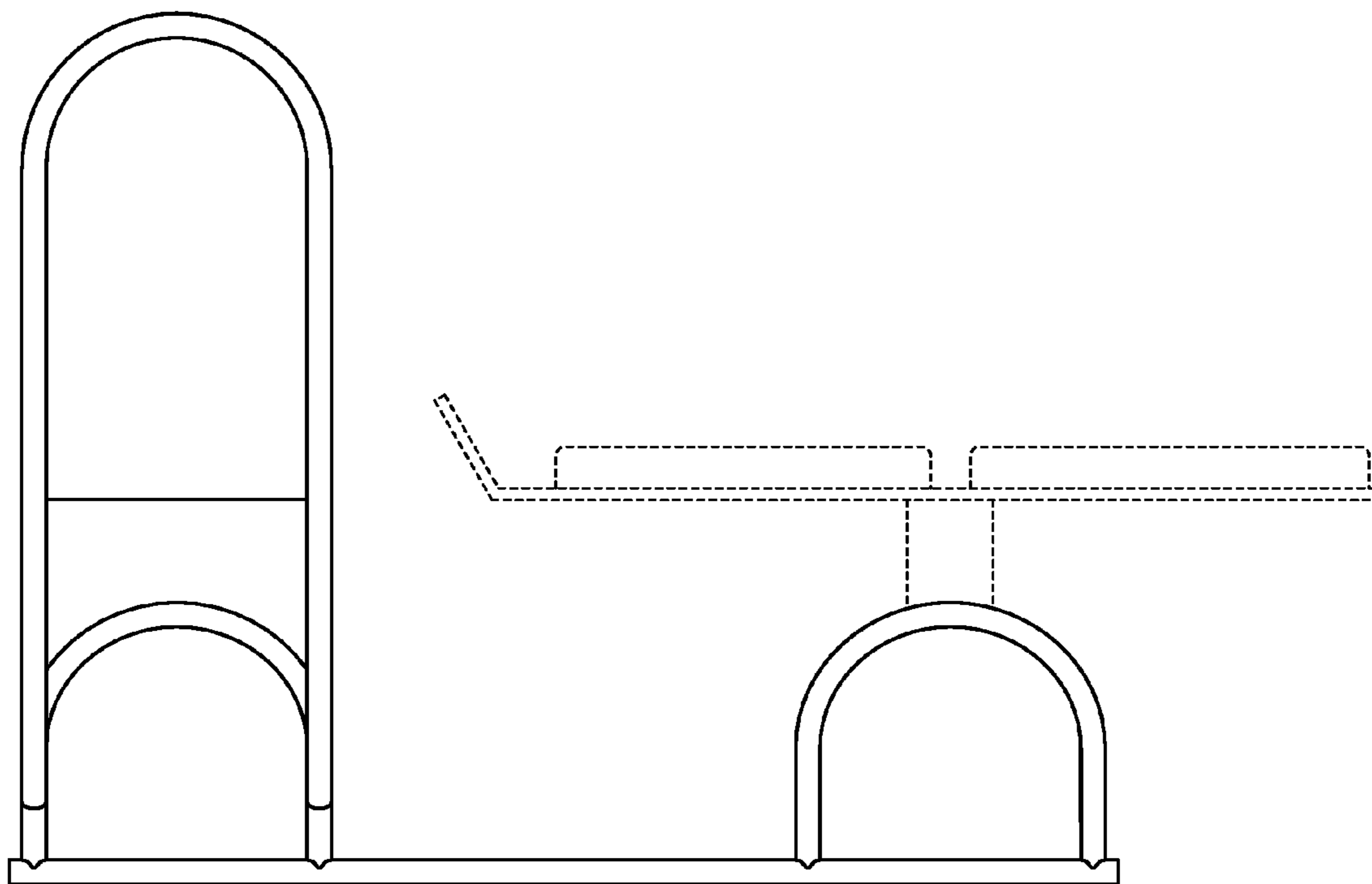


FIG. 3

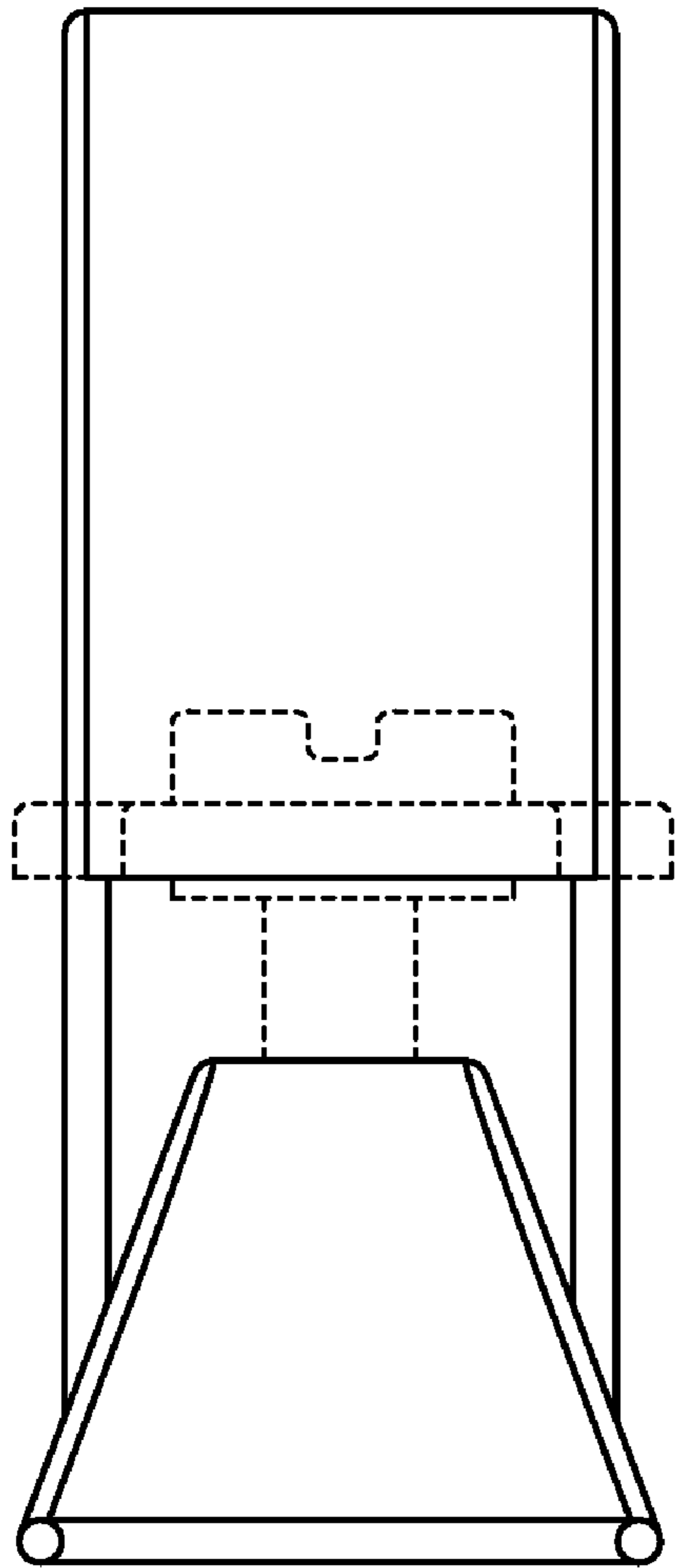


FIG. 4

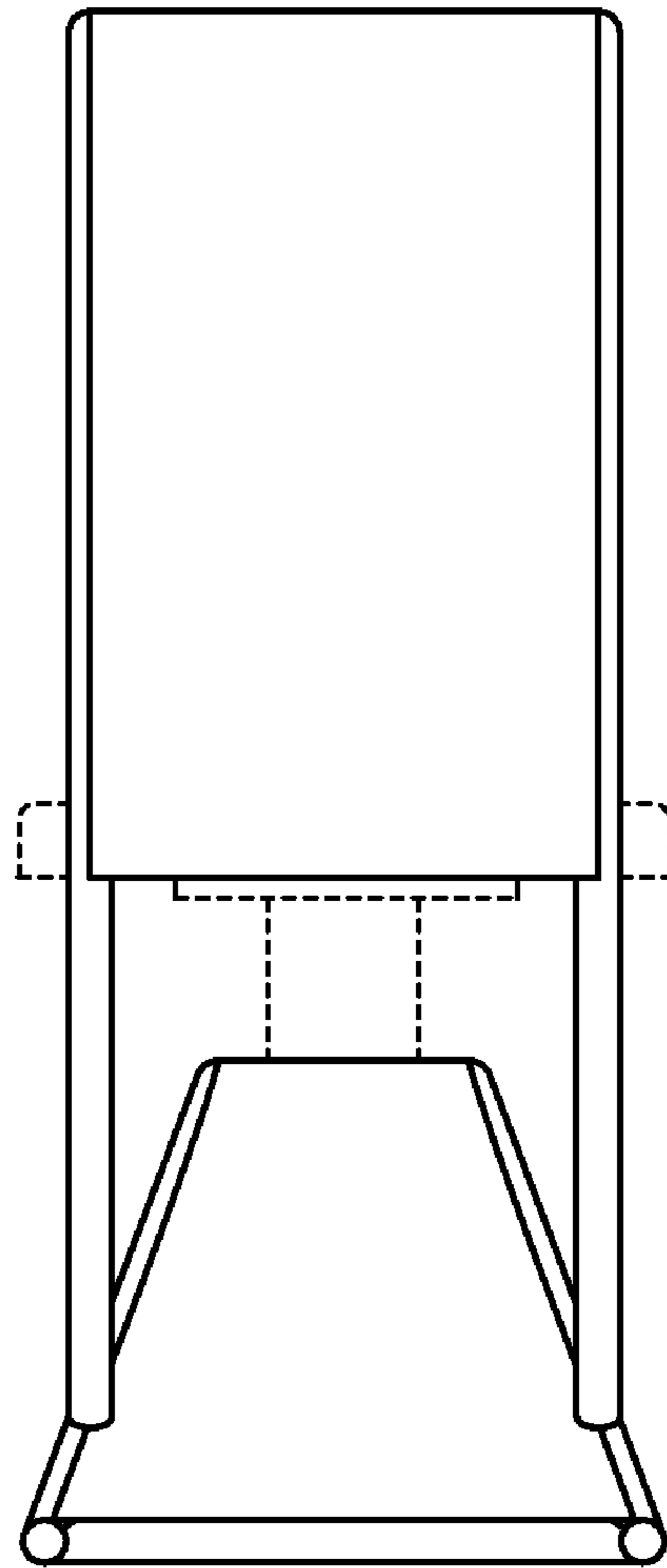


FIG. 5

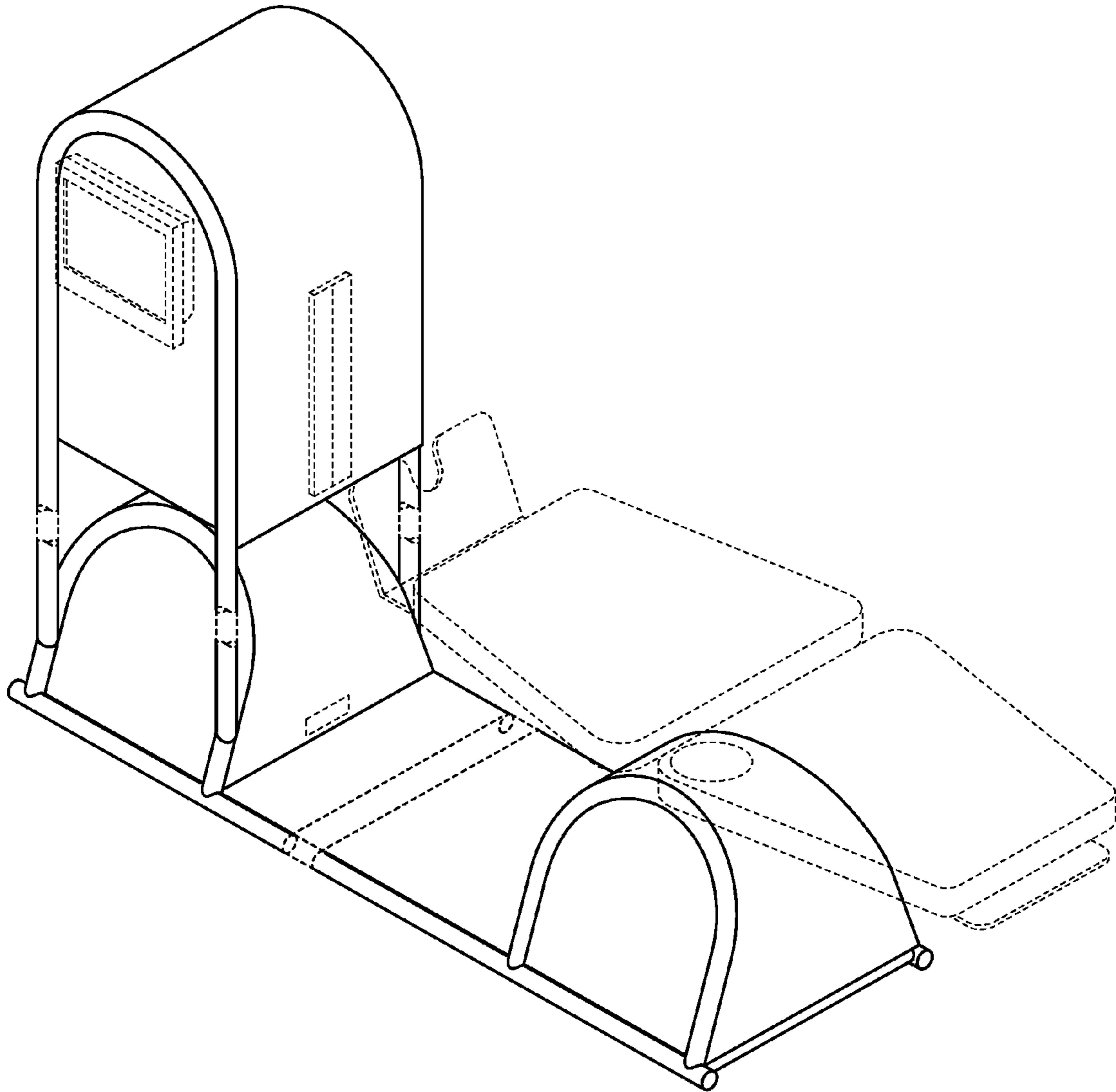


FIG. 6

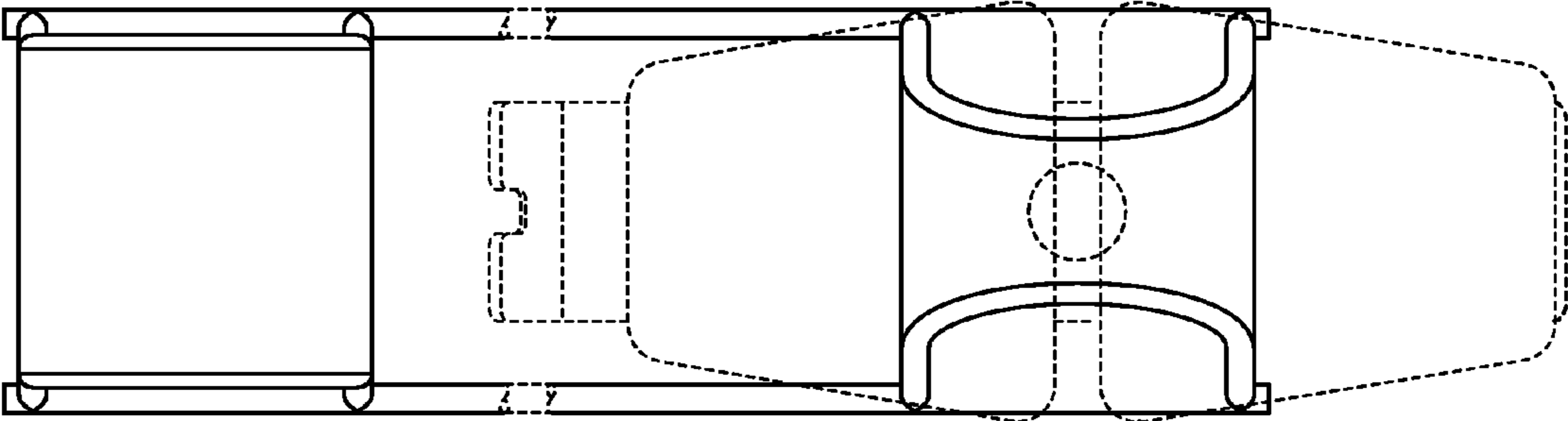


FIG. 7

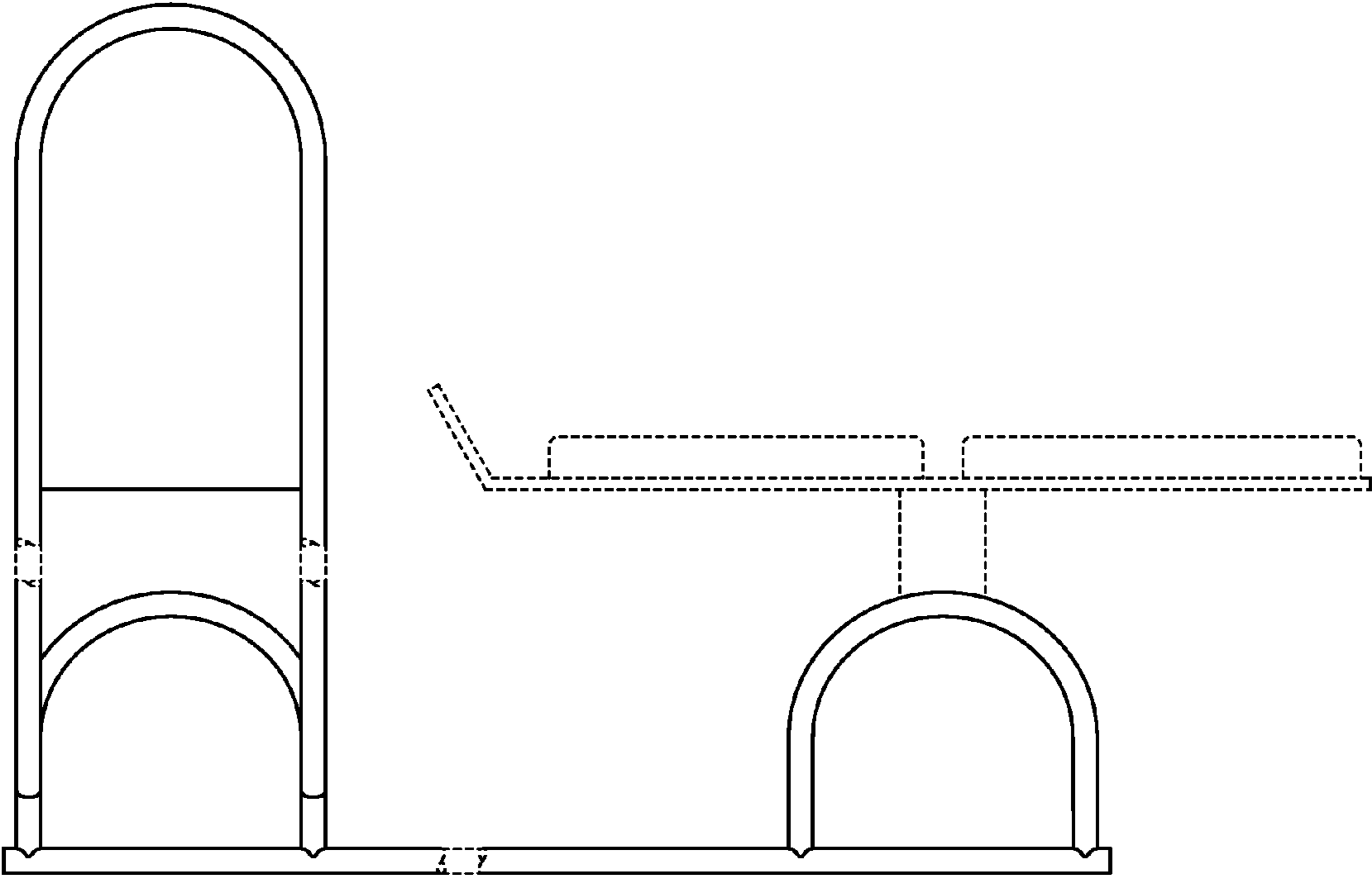


FIG. 8

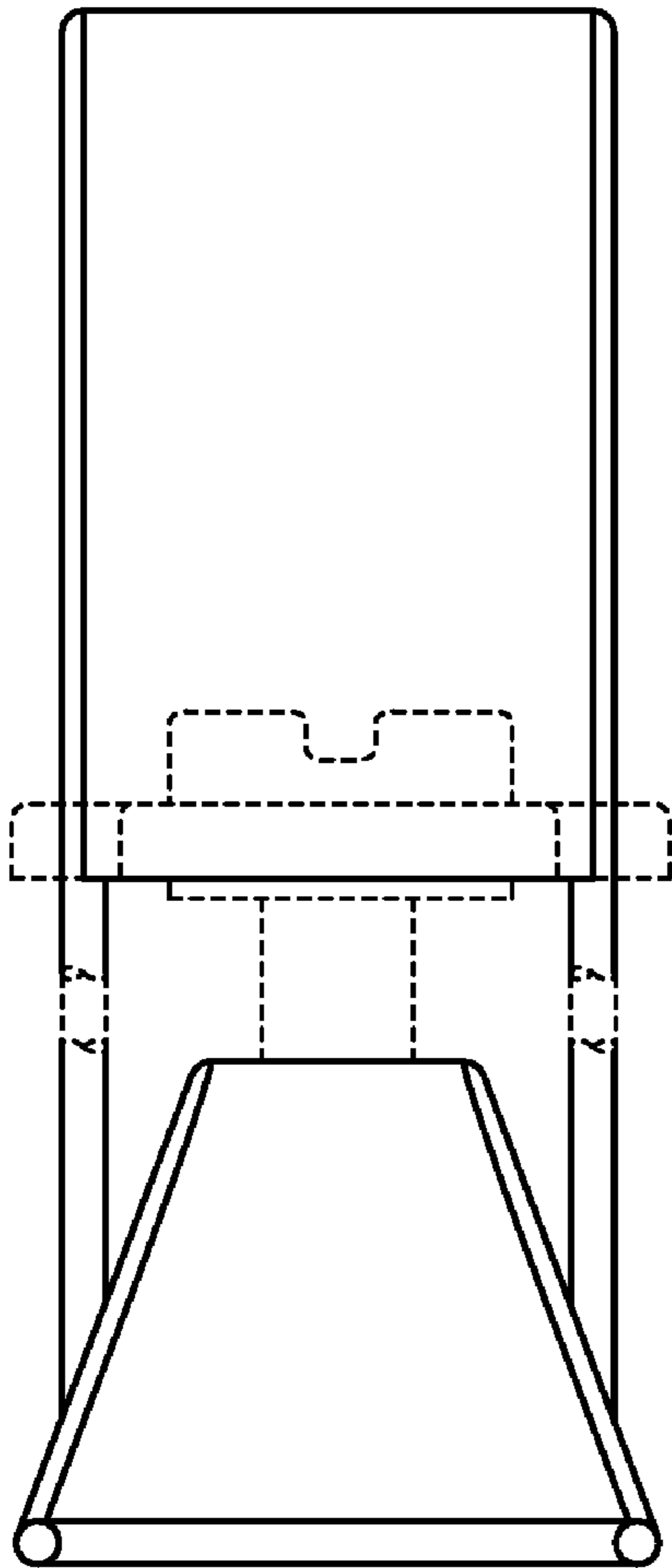


FIG. 9

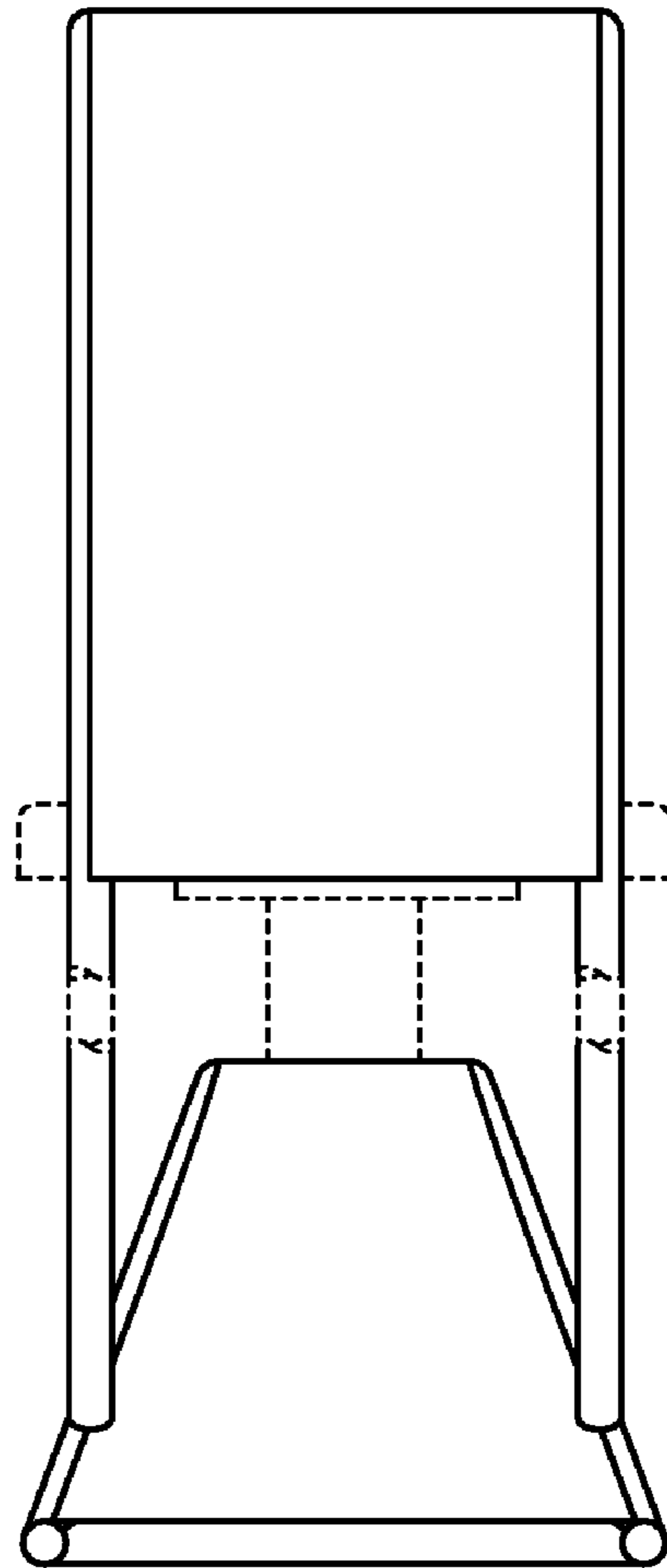


FIG. 10