



US00D562981S

(12) **United States Design Patent**
Trissel et al.

(10) **Patent No.:** **US D562,981 S**

(45) **Date of Patent:** **** Feb. 26, 2008**

(54) **LANCET**

(75) Inventors: **John Andrew Trissel**, Canton, GA (US); **Ray Adams Lathrop**, Atlanta, GA (US); **David Buenger**, Roswell, GA (US)

(73) Assignee: **Abbott Diabetes Care Inc.**, Abbott Park, IL (US)

(**) Term: **14 Years**

(21) Appl. No.: **29/261,576**

(22) Filed: **Jun. 15, 2006**

(51) **LOC (8) Cl.** **24-02**

(52) **U.S. Cl.** **D24/147; D24/133; D24/146**

(58) **Field of Classification Search** D24/130, D24/133, 141, 144, 146, 147, 169, 112; 606/181-184, 606/167

See application file for complete search history.

(56) **References Cited**

U.S. PATENT DOCUMENTS

D365,630 S * 12/1995 Sullivan D24/112
D372,310 S * 7/1996 Hartnett D24/146
D428,150 S * 7/2000 Ruf et al. D24/146

D474,838 S * 5/2003 Mahurkar D24/112
7,241,302 B2 * 7/2007 Sniffen et al. 606/184
2004/0098011 A1 * 5/2004 Vargas et al. 606/184
2004/0243165 A1 * 12/2004 Koike et al. 606/181
2005/0090850 A1 * 4/2005 Thoes et al. 606/182

* cited by examiner

Primary Examiner—Ian Simmons

Assistant Examiner—Carissa C Fitts

(74) *Attorney, Agent, or Firm*—Young Basile

(57) **CLAIM**

The ornamental design for a lancet, as shown.

DESCRIPTION

FIG. 1 is a perspective view of a lancet in accordance with the invention;

FIG. 2 is a right-side view of the lancet of FIG. 1;

FIG. 3 is a left-side view of the lancet of FIG. 1;

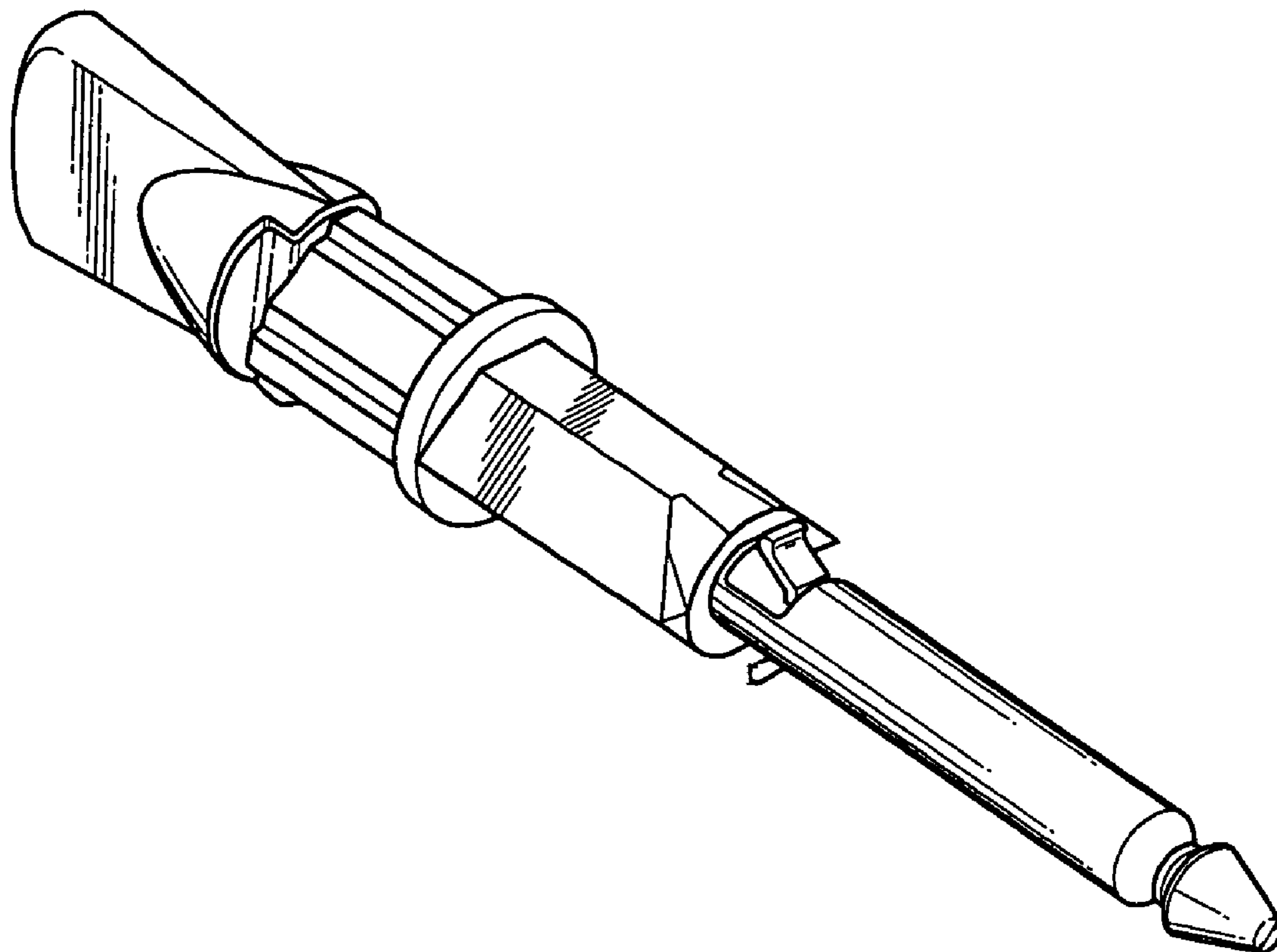
FIG. 4 is a top plan view of the lancet of FIG. 1;

FIG. 5 is a bottom plan view of the lancet of FIG. 1;

FIG. 6 is a rear elevation view of the lancet of FIG. 1; and,

FIG. 7 is a front elevation view of the lancet of FIG. 1.

1 Claim, 2 Drawing Sheets



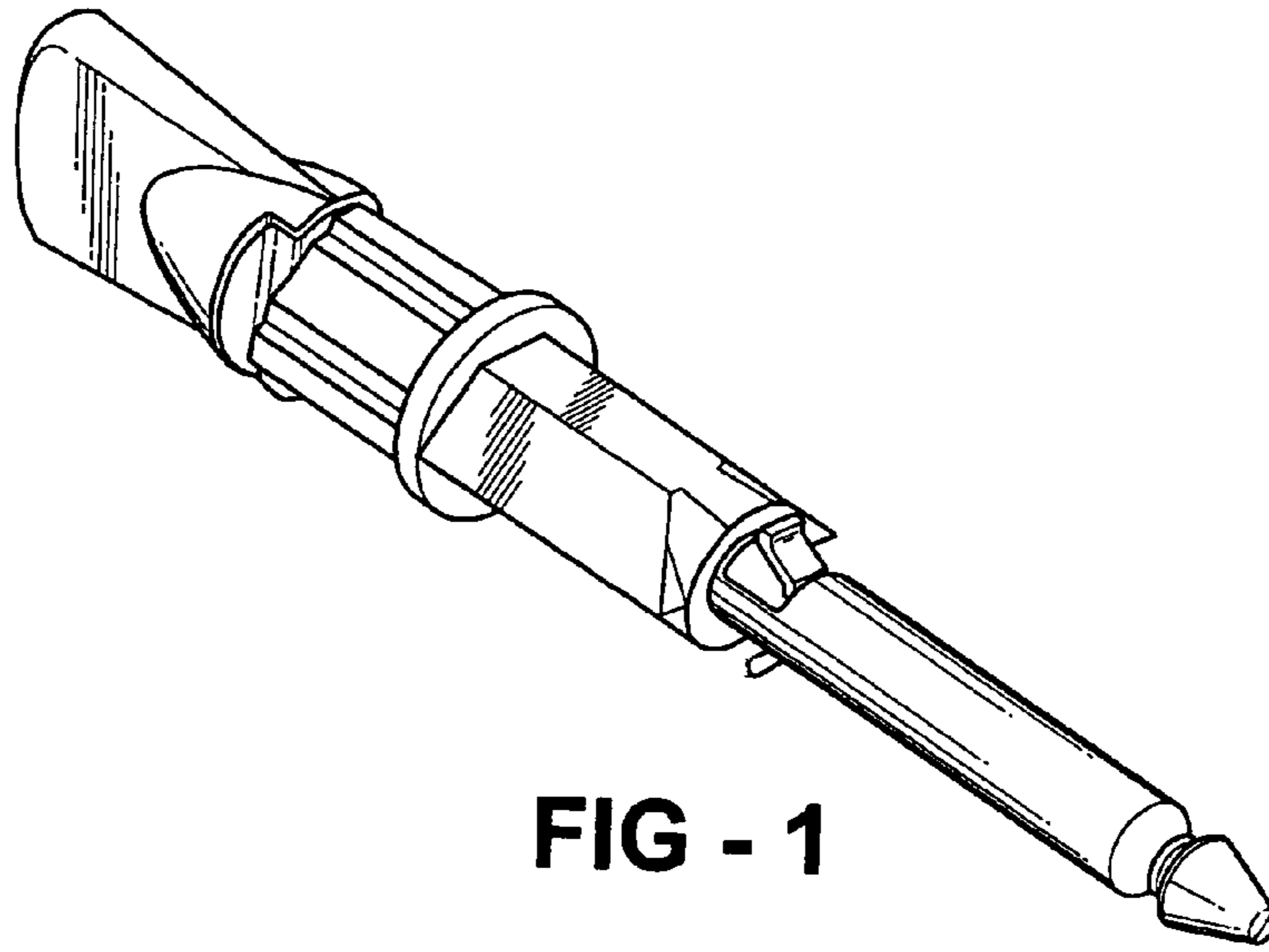


FIG - 1

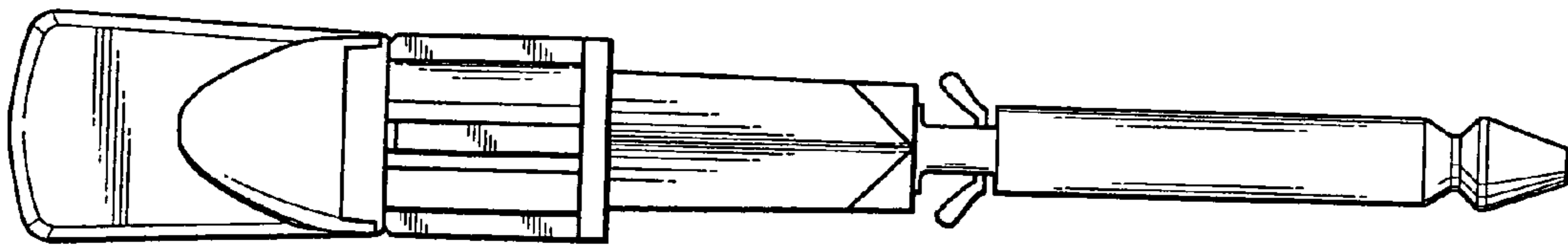


FIG - 2

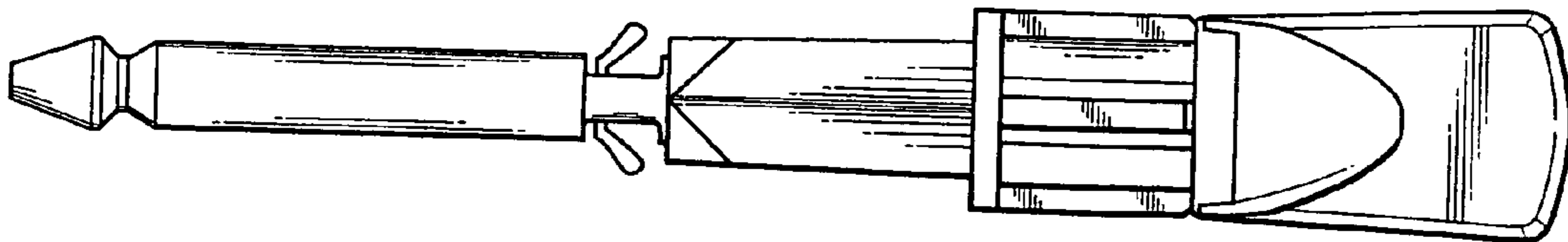


FIG - 3

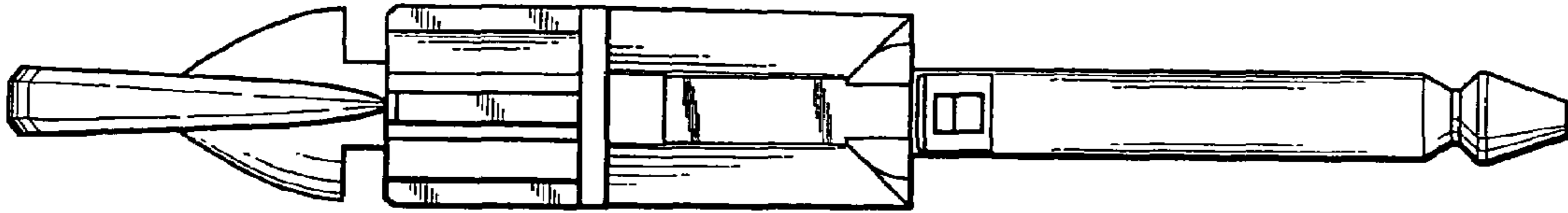


FIG - 4

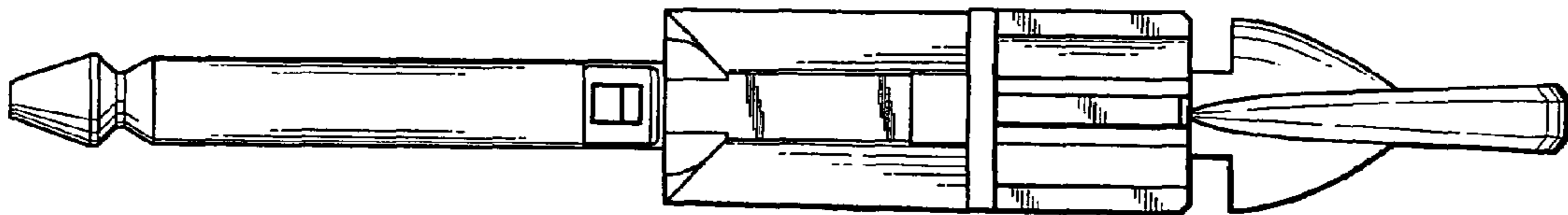


FIG - 5

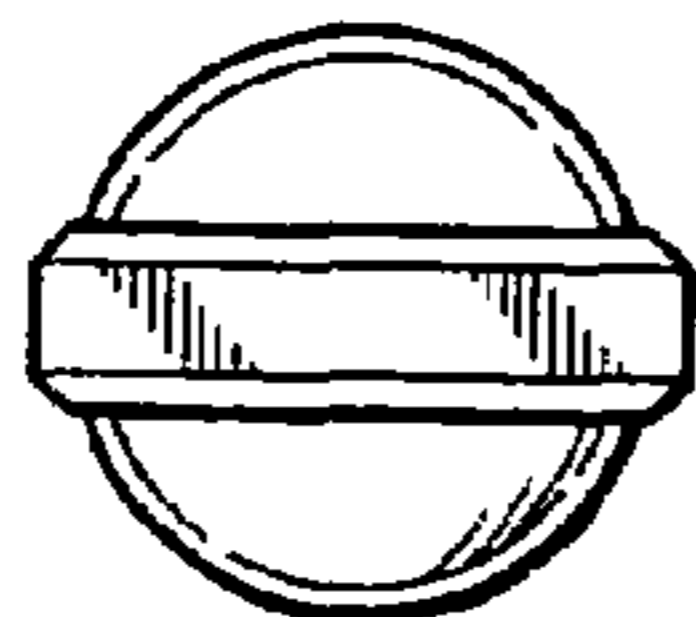


FIG - 6

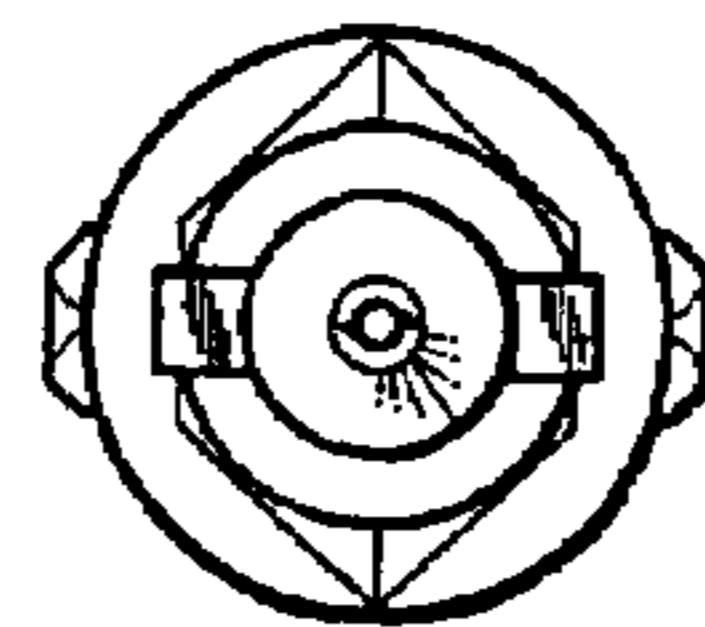


FIG - 7