



US00D562980S

(12) **United States Design Patent**  
**Marshall**

(10) **Patent No.:** **US D562,980 S**

(45) **Date of Patent:** **\*\* Feb. 26, 2008**

(54) **APPARATUS FOR TAKING A BLOOD SAMPLE**

7,153,318 B2 \* 12/2006 Marshall et al. .... 606/181  
2005/0131440 A1 \* 6/2005 Starnes ..... 606/181

(75) Inventor: **Jeremy Marshall**, Oxford (GB)

\* cited by examiner

(73) Assignee: **Owen Mumford Limited**, Oxford (GB)

*Primary Examiner*—Ian Simmons

*Assistant Examiner*—Carissa C Fitts

(\*\*) Term: **14 Years**

(74) *Attorney, Agent, or Firm*—Young & Thompson

(21) Appl. No.: **29/259,330**

(57) **CLAIM**

(22) Filed: **May 8, 2006**

The ornamental design for an apparatus for taking a blood sample, as shown and described.

(51) **LOC (8) Cl.** ..... **24-02**

(52) **U.S. Cl.** ..... **D24/146; D24/147**

(58) **Field of Classification Search** ..... D24/146,  
D24/147, 133, 130; 606/181, 182, 183, 184,  
606/167; 600/583

See application file for complete search history.

**DESCRIPTION**

FIG. 1 is a top view of an injection device showing our new design;

FIG. 2 is a bottom view thereof;

FIG. 3 is a view on the left side thereof;

FIG. 4 is a front end view thereof;

FIG. 5 is a rear end view thereof;

FIG. 6 is an upper perspective view thereof; and,

FIG. 7 is a lower perspective view thereof.

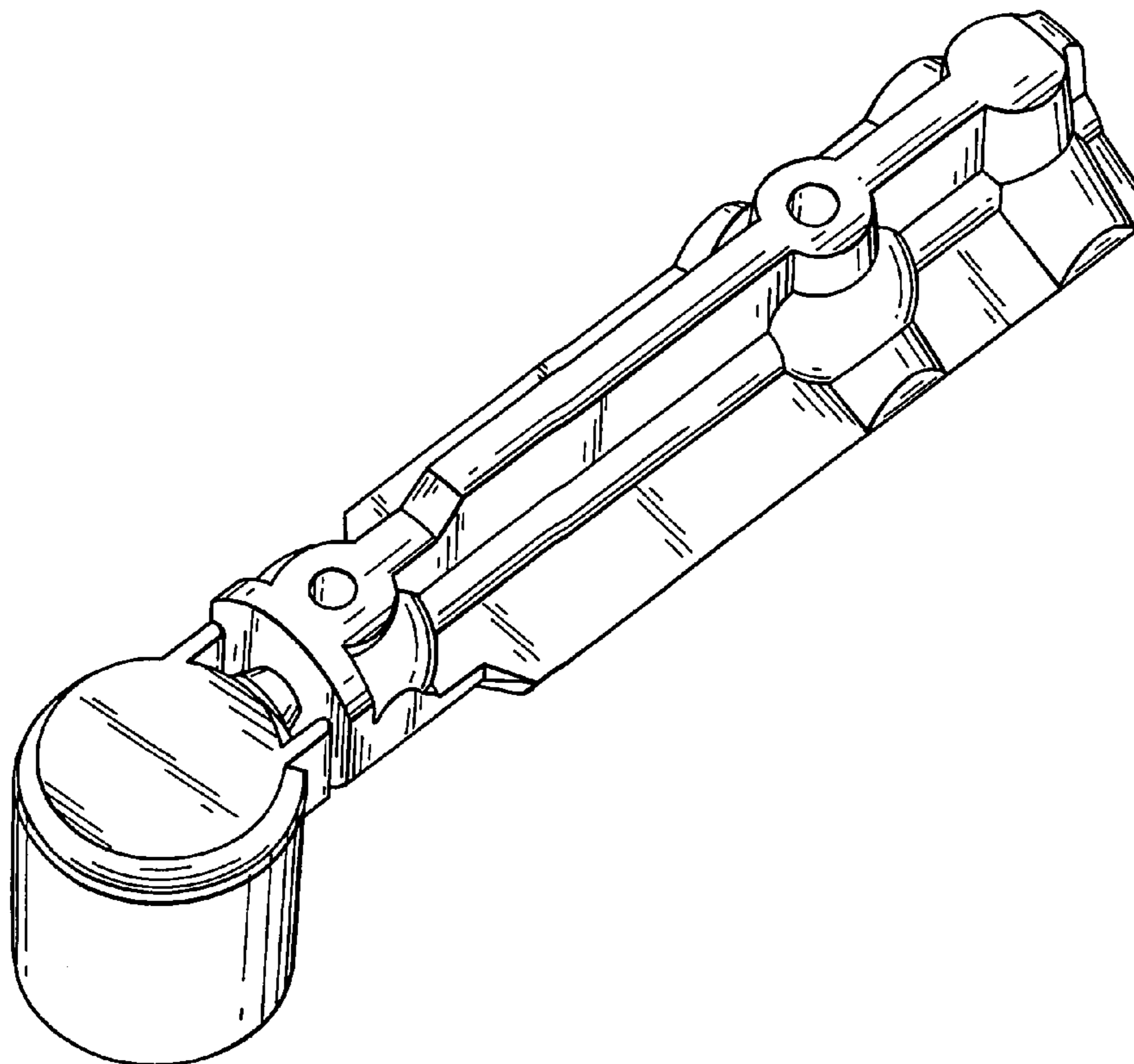
The broken line showing is for illustrative purposes only and forms no part of the claimed design.

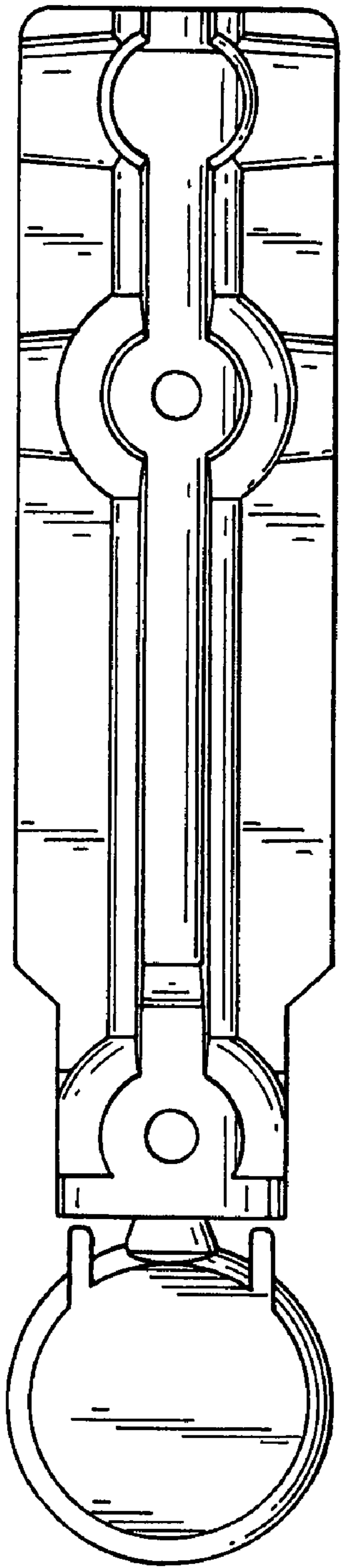
(56) **References Cited**

**U.S. PATENT DOCUMENTS**

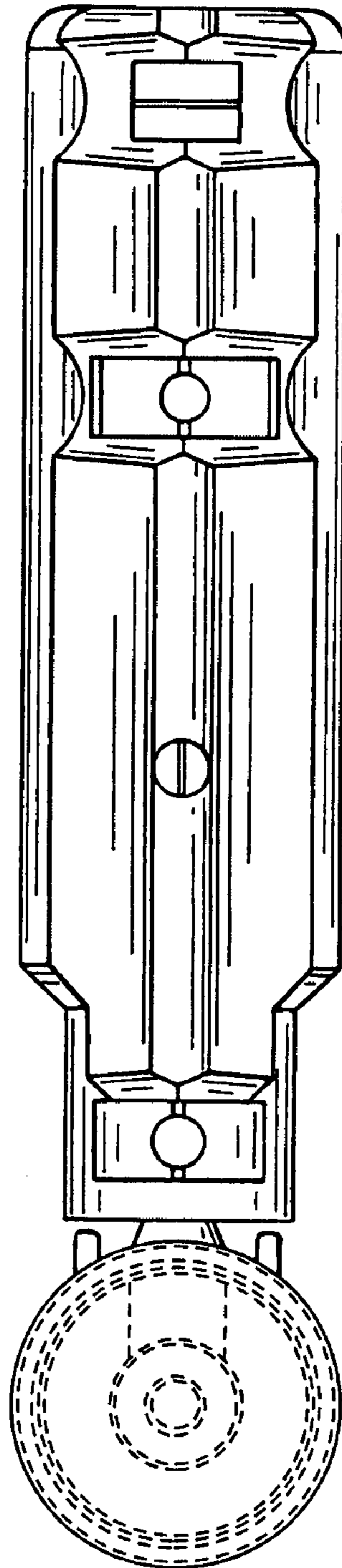
3,358,689	A *	12/1967	Higgins	.....	606/181
5,385,571	A *	1/1995	Morita	.....	606/181
D362,719	S *	9/1995	Kaplan	.....	D24/147
5,454,828	A *	10/1995	Schraga	.....	606/181
5,755,733	A *	5/1998	Morita	.....	606/182
5,868,772	A *	2/1999	LeVaughn et al.	.....	606/181
D484,244	S *	12/2003	Starnes	.....	D24/146

**1 Claim, 4 Drawing Sheets**





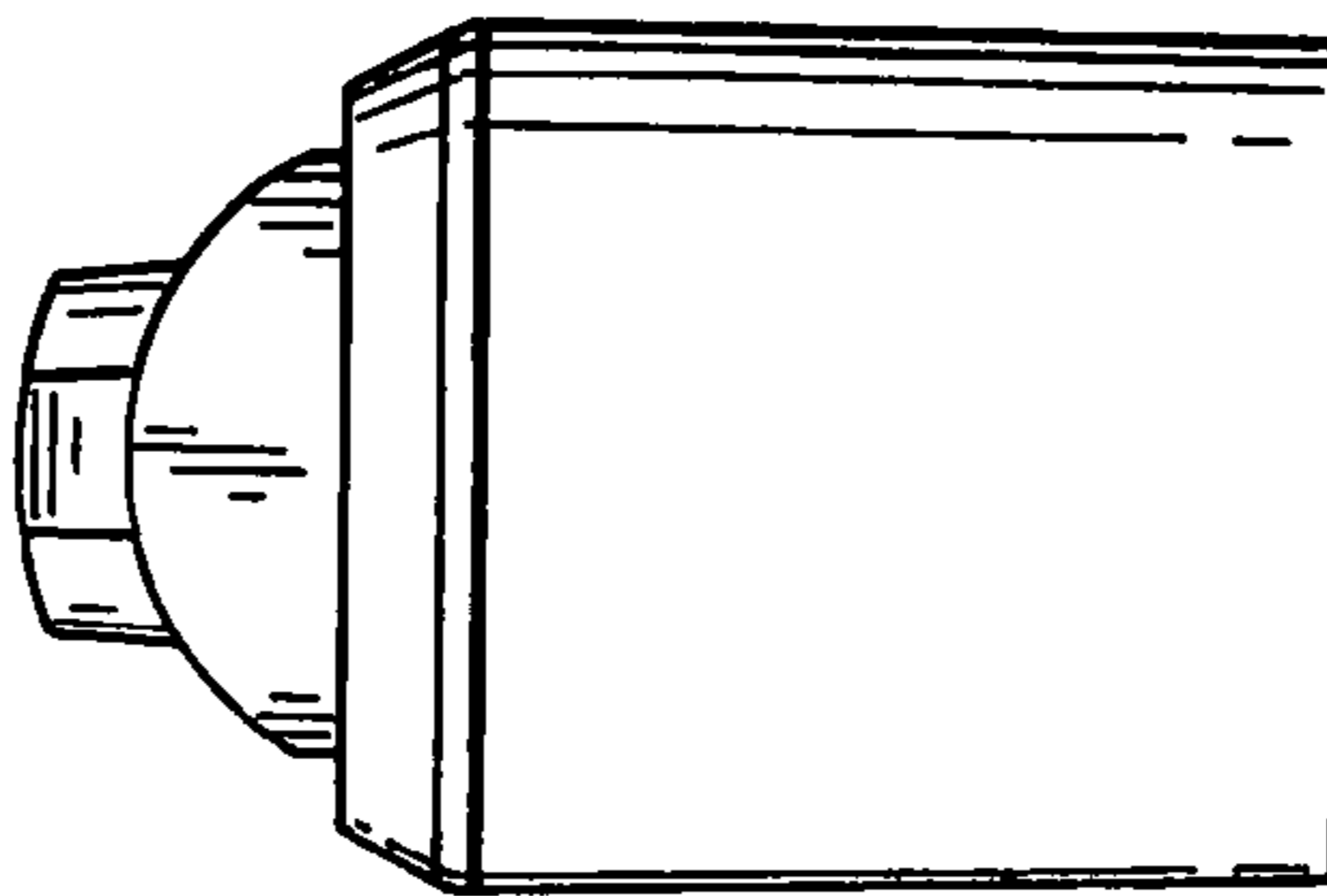
*Fig. 1*



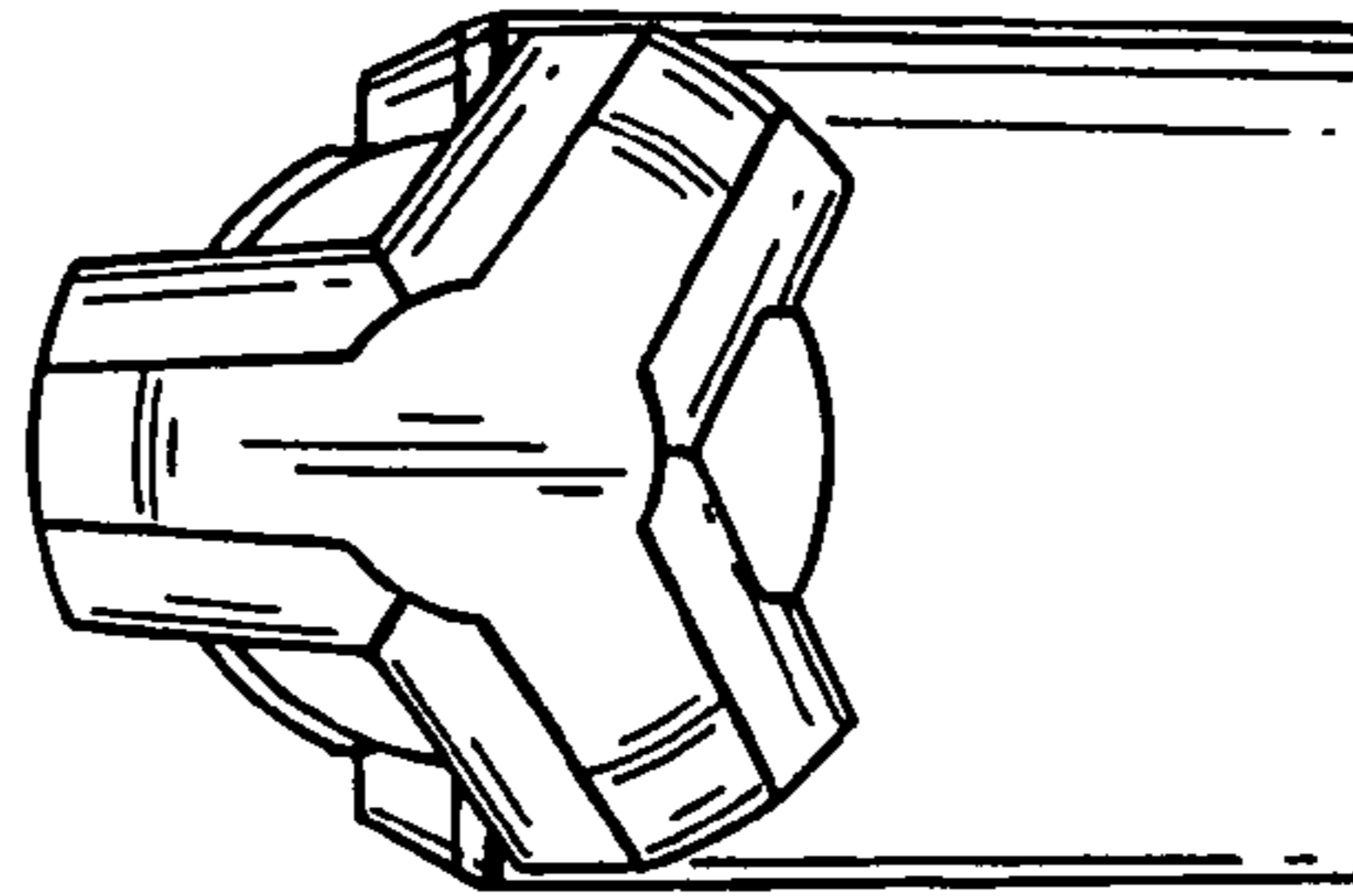
*Fig. 2*



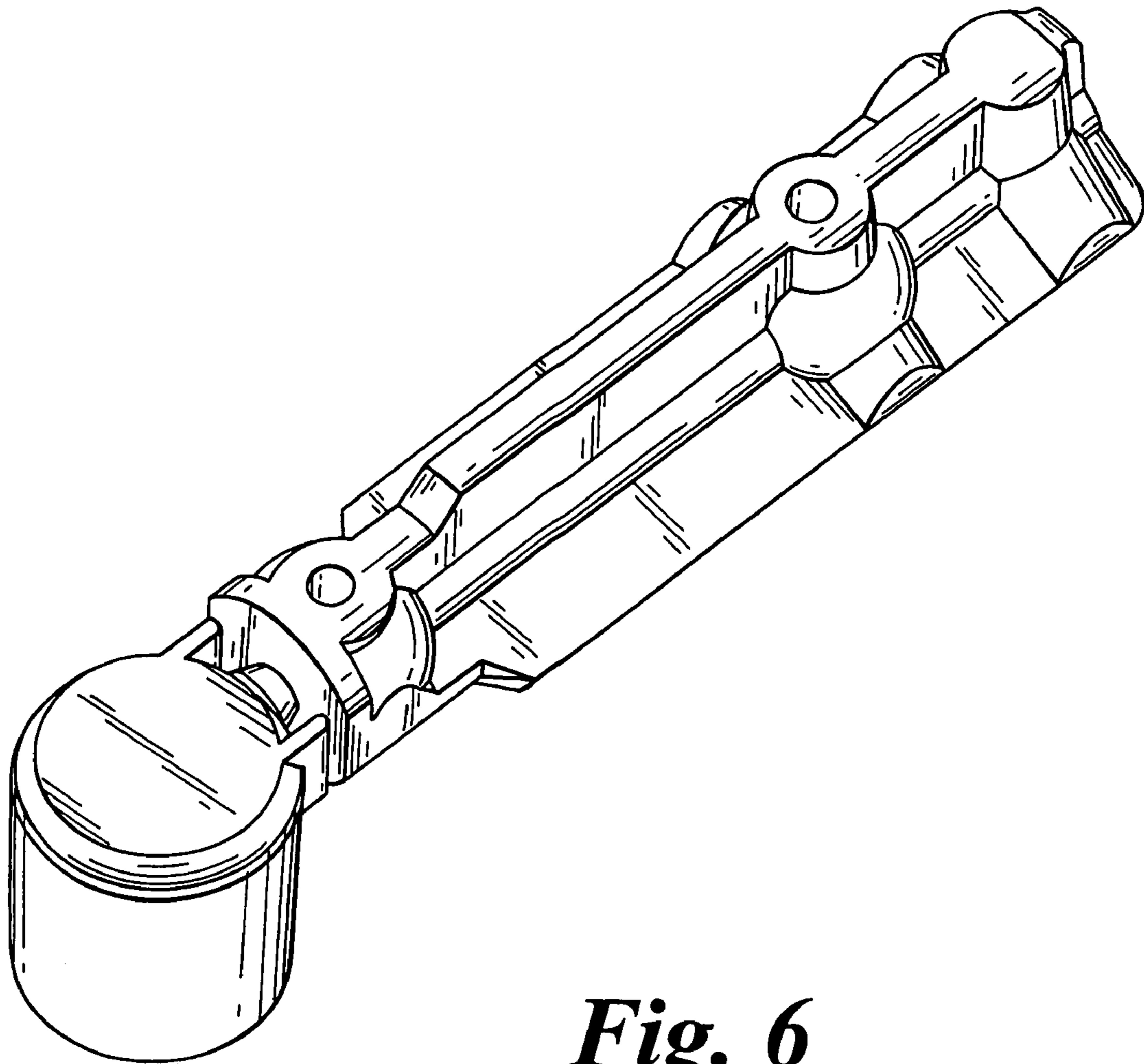
*Fig. 3*



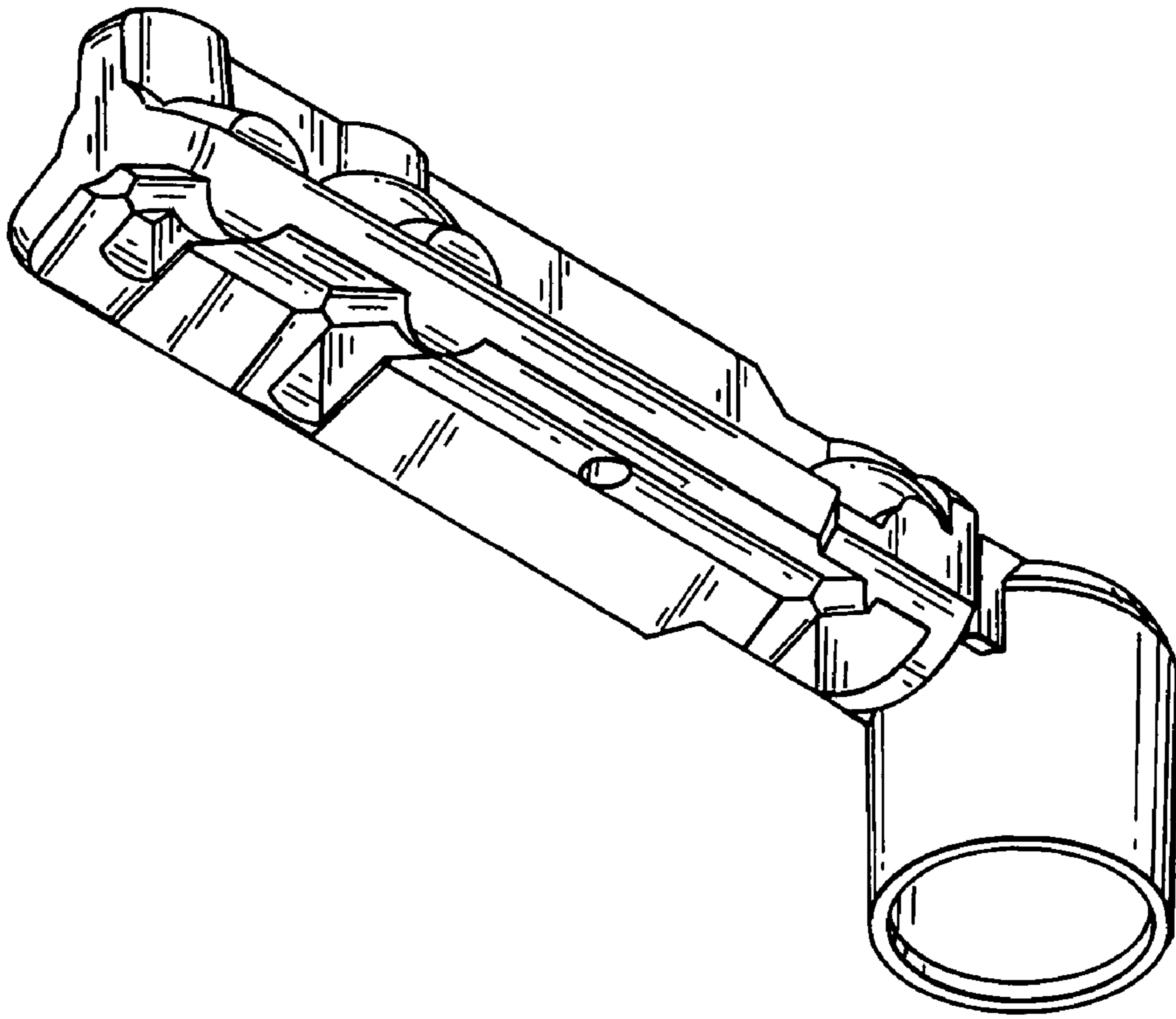
*Fig. 4*



*Fig. 5*



*Fig. 6*



*Fig. 7*



**UNITED STATES PATENT AND TRADEMARK OFFICE**  
**Certificate**

Patent No. D. 562,980 S

Patented: February 26, 2008

On petition requesting issuance of a certificate for correction of inventorship pursuant to 35 U.S.C. 256, it has been found that the above identified patent, through error and without any deceptive intent, improperly sets forth the inventorship.

Accordingly, it is hereby certified that the correct inventorship of this patent is: Jeremy Marshall, Oxford (GB) and Timothy S. Evans, Oxford (GB).

Signed and Sealed this Twenty-second Day of July 2014.

IAN SIMMONS  
*Supervisory Patent Examiner*  
Art Unit 2916  
Technology Center 2900