



US00D562977S

(12) **United States Design Patent**
Forlenza et al.

(10) **Patent No.:** **US D562,977 S**

(45) **Date of Patent:** **** Feb. 26, 2008**

(54) **CRYOSURGICAL TOOL**

(75) Inventors: **Albert Michael Forlenza**, Carrollton, TX (US); **Samuel Edward Ivey**, Richardson, TX (US); **Jerome F Krentel**, Covington, LA (US); **John Eglin Williams**, Covington, LA (US); **Joanne B. Haas**, Covington, LA (US); **Paula A. Schweikert**, Abita Springs, LA (US); **Kishore K. Kondabatni**, Atlanta, GA (US); **Richard E. Bailey**, Mandeville, LA (US)

(73) Assignee: **Cimex Medical Innovations, L.C.**, Covington, LA (US)

(**) Term: **14 Years**

(21) Appl. No.: **29/262,858**

(22) Filed: **Jul. 11, 2006**

(51) **LOC (8) Cl.** **24-02**

(52) **U.S. Cl.** **D24/133**

(58) **Field of Classification Search** D24/133, D24/144, 146, 140, 141, 147, 169; 606/20, 606/21, 22, 23, 25, 26; 62/3.2, 293
See application file for complete search history.

(56) **References Cited**

U.S. PATENT DOCUMENTS

2,746,264 A * 5/1956 Keyes 62/293

3,830,239 A * 8/1974 Stumpf et al. 606/25
4,022,214 A * 5/1977 Schulze et al. 606/25
4,602,628 A * 7/1986 Allen, Jr. 606/25
D351,227 S * 10/1994 Patton et al. D24/112
D387,863 S * 12/1997 Herman et al. D24/133
6,430,956 B1 8/2002 Haas et al.
6,629,417 B2 10/2003 Haas et al.
D495,052 S * 8/2004 Reschke D24/144
D497,206 S * 10/2004 Damasco et al. D24/133
D555,241 S * 11/2007 Nakanishi D24/133
2005/0043723 A1 * 2/2005 Howlett et al. 606/22

* cited by examiner

Primary Examiner—Ian Simmons

Assistant Examiner—Carissa C Fitts

(74) *Attorney, Agent, or Firm*—Joseph T. Regard, Ltd. plc

(57) **CLAIM**

The ornamental design for a cryosurgical tool, as shown and described.

DESCRIPTION

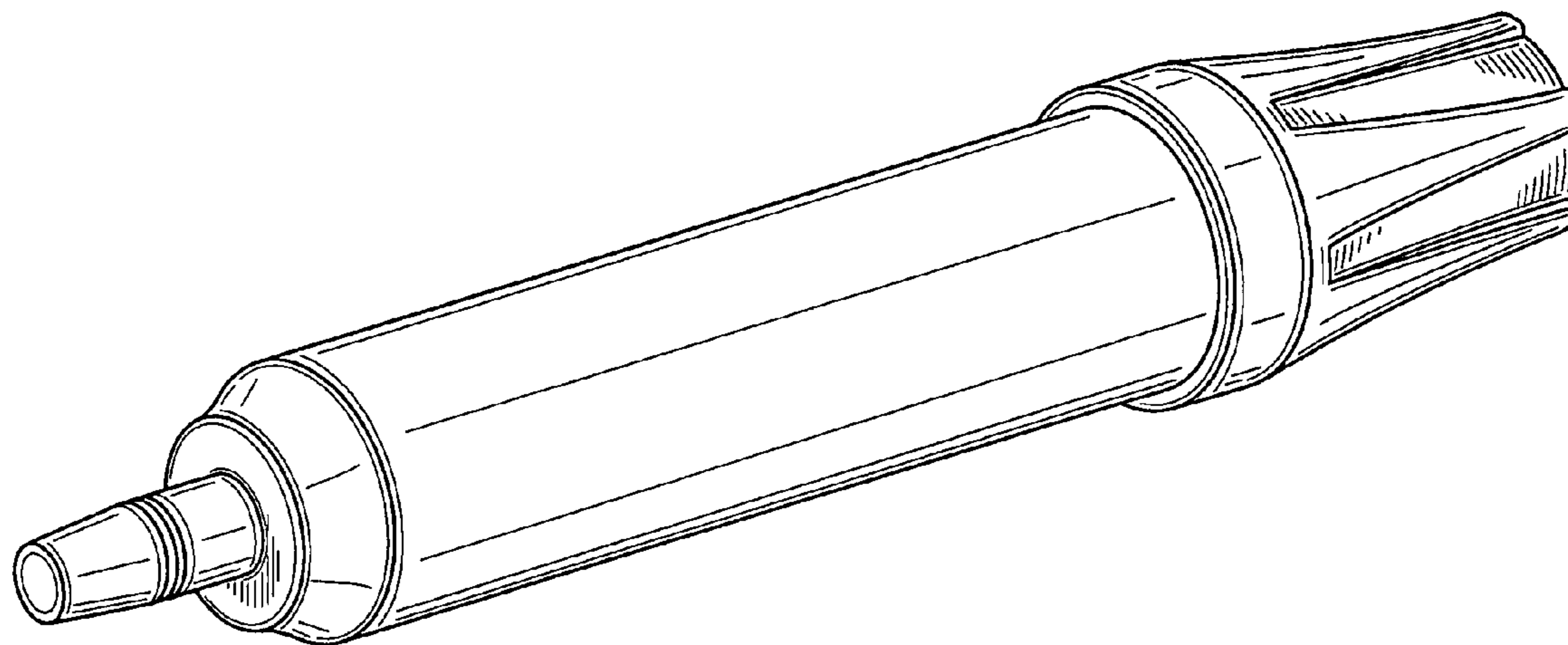
FIG. 1 is an isometric view of the design of the present invention;

FIG. 2 is a side view of the design of the present invention;

FIG. 3 is a rear end side view of the design of the present invention; and,

FIG. 4 is a front end view of the design of the present invention.

1 Claim, 3 Drawing Sheets



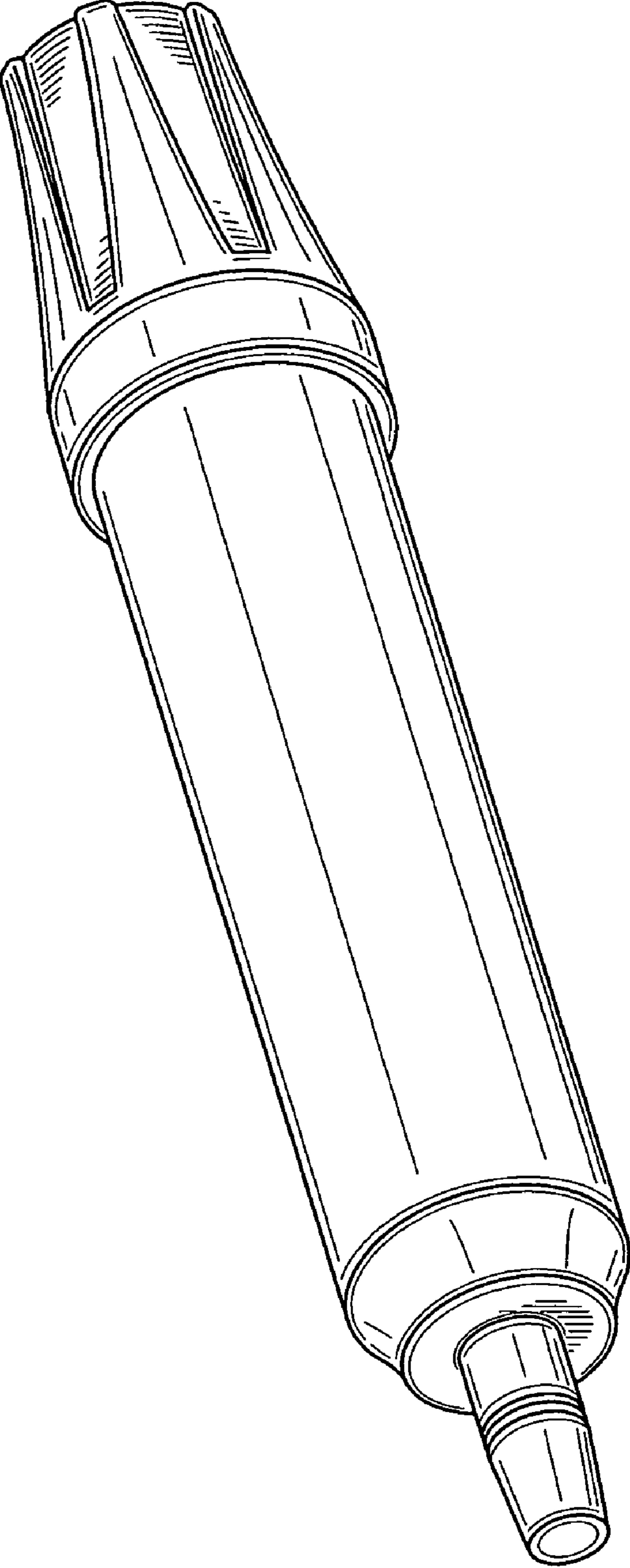


FIG. 1

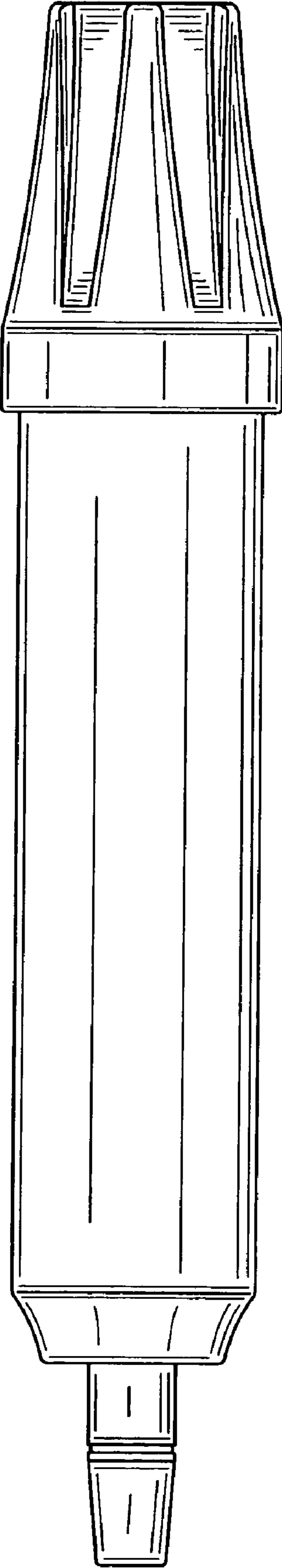


FIG. 2

FIG. 4

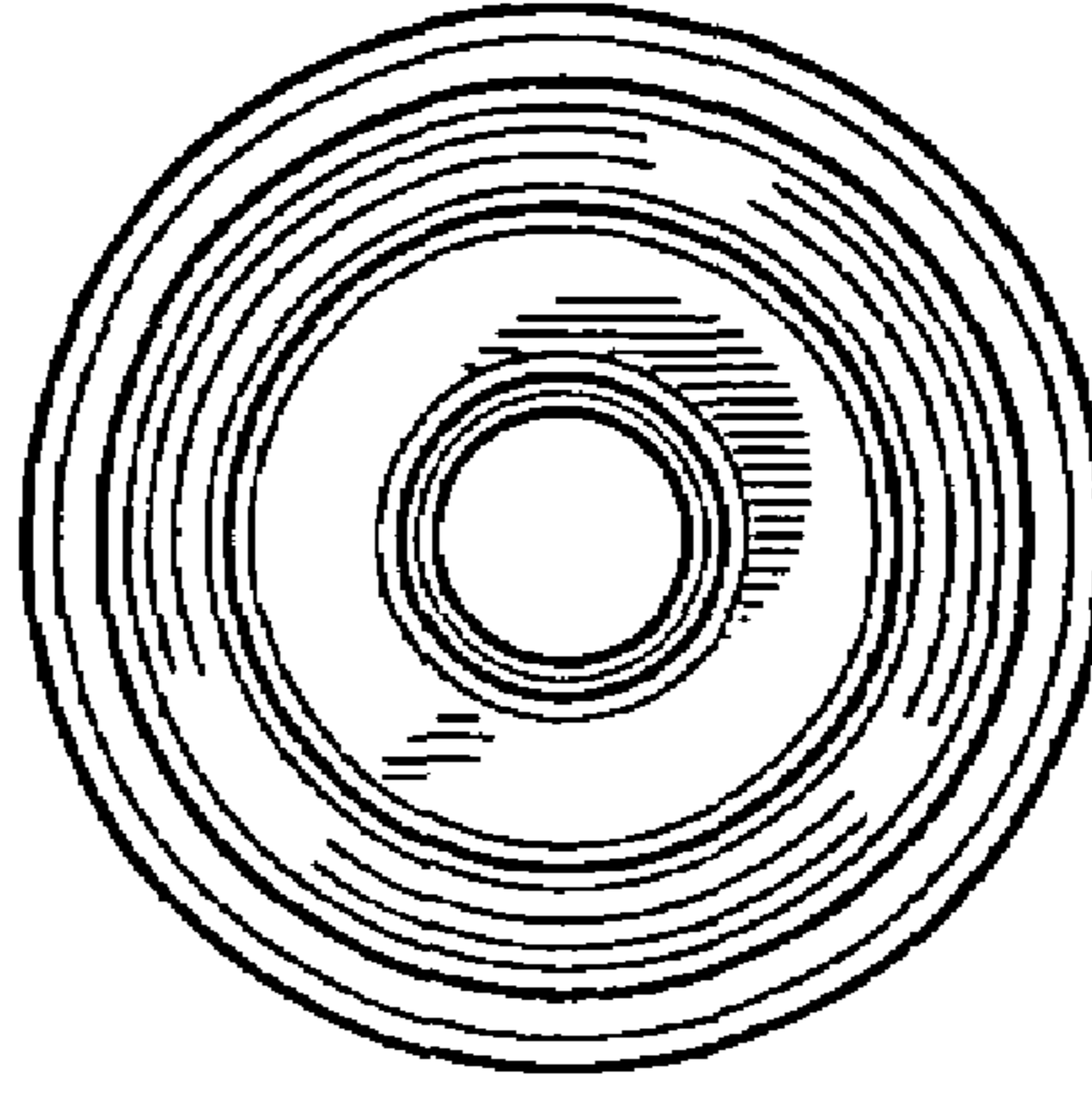


FIG. 3

