



US00D562976S

(12) **United States Design Patent** (10) **Patent No.:** **US D562,976 S**
Guney et al. (45) **Date of Patent:** **** Feb. 26, 2008**

(54) **PORTION OF A MASK CUSHION**
(75) Inventors: **Memduh Guney**, Killara (AU); **Philip Rodney Kwok**, Chatswood (AU); **Robin Garth Hitchcock**, Carlingford (AU); **Lee James Veliss**, West Ryde (AU); **Richard Sokolov**, Earlwood (AU); **Donald Darkin**, Dural (AU)
(73) Assignee: **ResMed Limited**, Bella Vista, New South Wales (AU)

(**) Term: **14 Years**
(21) Appl. No.: **29/274,384**
(22) Filed: **Apr. 20, 2007**

Related U.S. Application Data

(60) Continuation of application No. 29/265,322, filed on Aug. 30, 2006, now Pat. No. Des. 549,323, which is a division of application No. 29/213,882, filed on May 28, 2004, now Pat. No. Des. 542,912.

(51) **LOC (8) Cl.** **29-02**
(52) **U.S. Cl.** **D24/110.1; D24/110.5**
(58) **Field of Classification Search** **D24/110, D24/110.1-110.5; 128/207.11, 206.11, 207.18, 128/205.25, 206.21**
See application file for complete search history.

(56) **References Cited**

U.S. PATENT DOCUMENTS

| | | | | |
|--------------|-----|---------|----------------|------------|
| 2,763,263 | A | 9/1956 | Ellman | |
| 3,513,844 | A | 5/1970 | Smith | |
| 4,782,832 | A | 11/1988 | Trimble et al. | |
| 6,119,694 | A | 9/2000 | Correa et al. | |
| 6,431,172 | B1 | 8/2002 | Bordewick | |
| 6,595,215 | B2 | 7/2003 | Wood | |
| 6,907,882 | B2 | 6/2005 | Ging et al. | |
| 2002/0053347 | A1* | 5/2002 | Ziaee | 128/207.18 |

| | | | | |
|--------------|-----|--------|-------------------|------------|
| 2002/0096178 | A1* | 7/2002 | Ziaee | 128/207.18 |
| 2006/0137690 | A1 | 6/2006 | Gunaratnam et al. | |
| 2006/0174887 | A1* | 8/2006 | Chandran et al. | 128/206.11 |
| 2006/0207597 | A1* | 9/2006 | Wright | 128/206.11 |

OTHER PUBLICATIONS

Parent U.S. Appl. No. 29/265,322, filed Aug. 30, 2006, Guney et al.
Grandparent U.S. Appl. No. 29/213,882, filed May 28, 2004, Gunaratnam et al.
InnoMed Technologies, "Nasal-Pap Freestyle™" Brochure, 2004, 2 pages.
InnoMed Technologies, "Nasal Aire™" Brochure 2003, 1 page.
Viasys Healthcare, "Lyra Nasal CPAP Interface" Brochure, 2004, 2 pages.

* cited by examiner

Primary Examiner—Ian Simmons
Assistant Examiner—Christopher Lee
(74) *Attorney, Agent, or Firm*—Nixon & Vanderhye P.C.

(57) **CLAIM**

The ornamental design for a portion of a mask cushion, as shown and described.

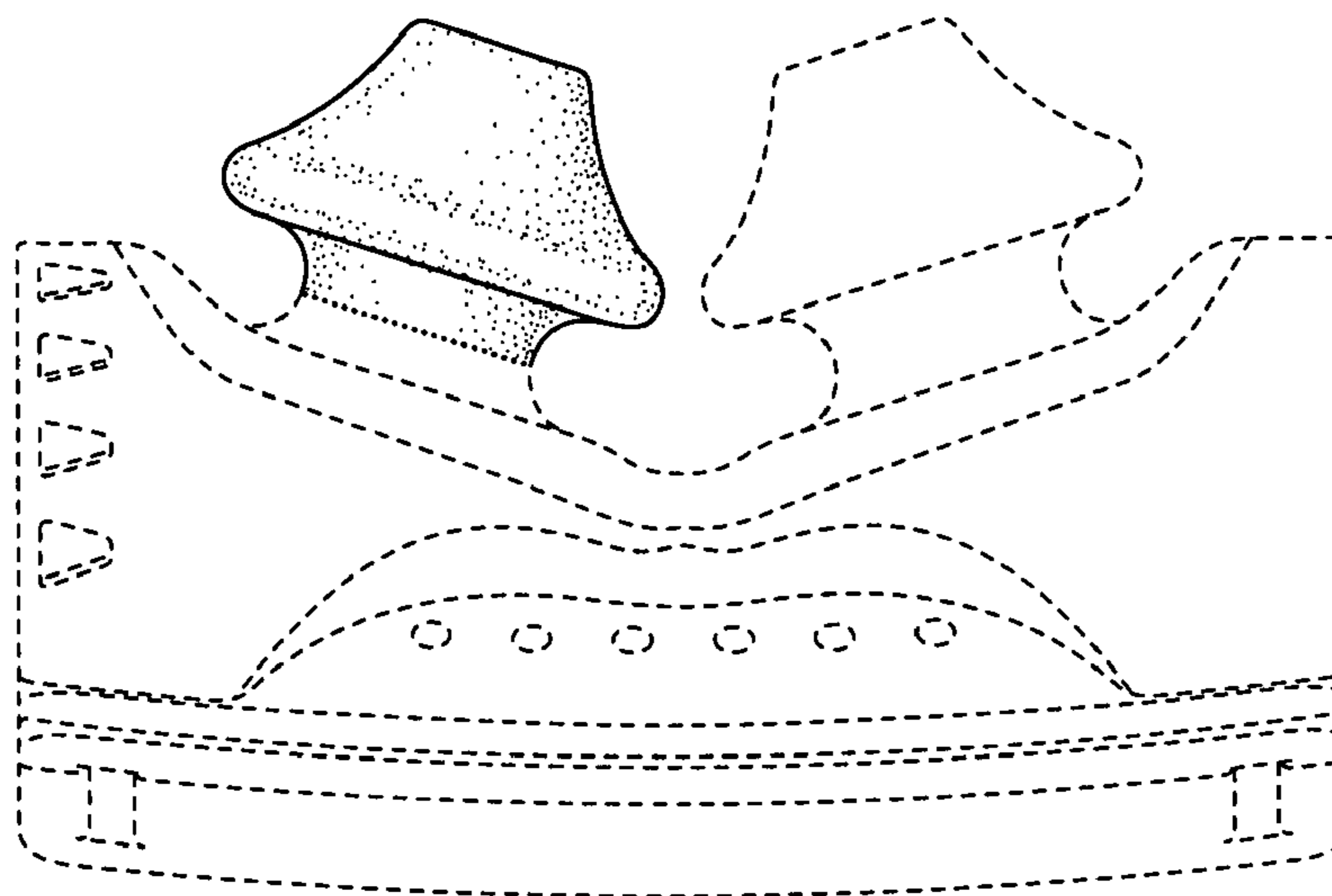
DESCRIPTION

FIG. 1 is a perspective view of a portion of a mask cushion according to of our design;
FIG. 2 is a front view thereof;
FIG. 3 is a top view thereof;
FIG. 4 is a left side view thereof; and,
FIG. 5 is a rear view thereof.

Where included, broken lines showing environment or structure are for illustrative purposes only and form no part of the claimed design. Where included, dotted lines represent the border between claimed and non-claimed subject matter and form no part of the claimed design.

The use of stippling is used to indicate shading.

1 Claim, 2 Drawing Sheets



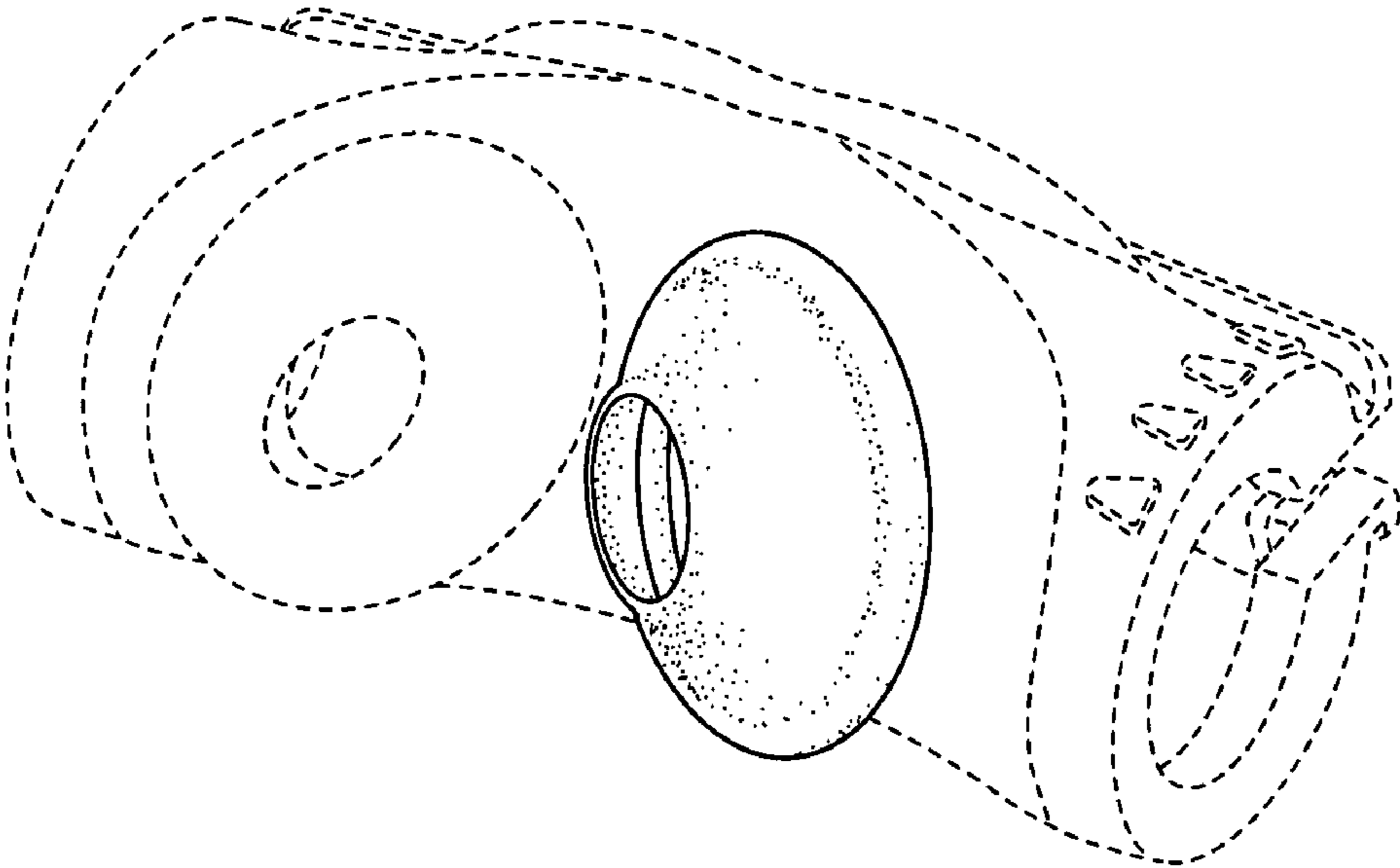


Fig. 1

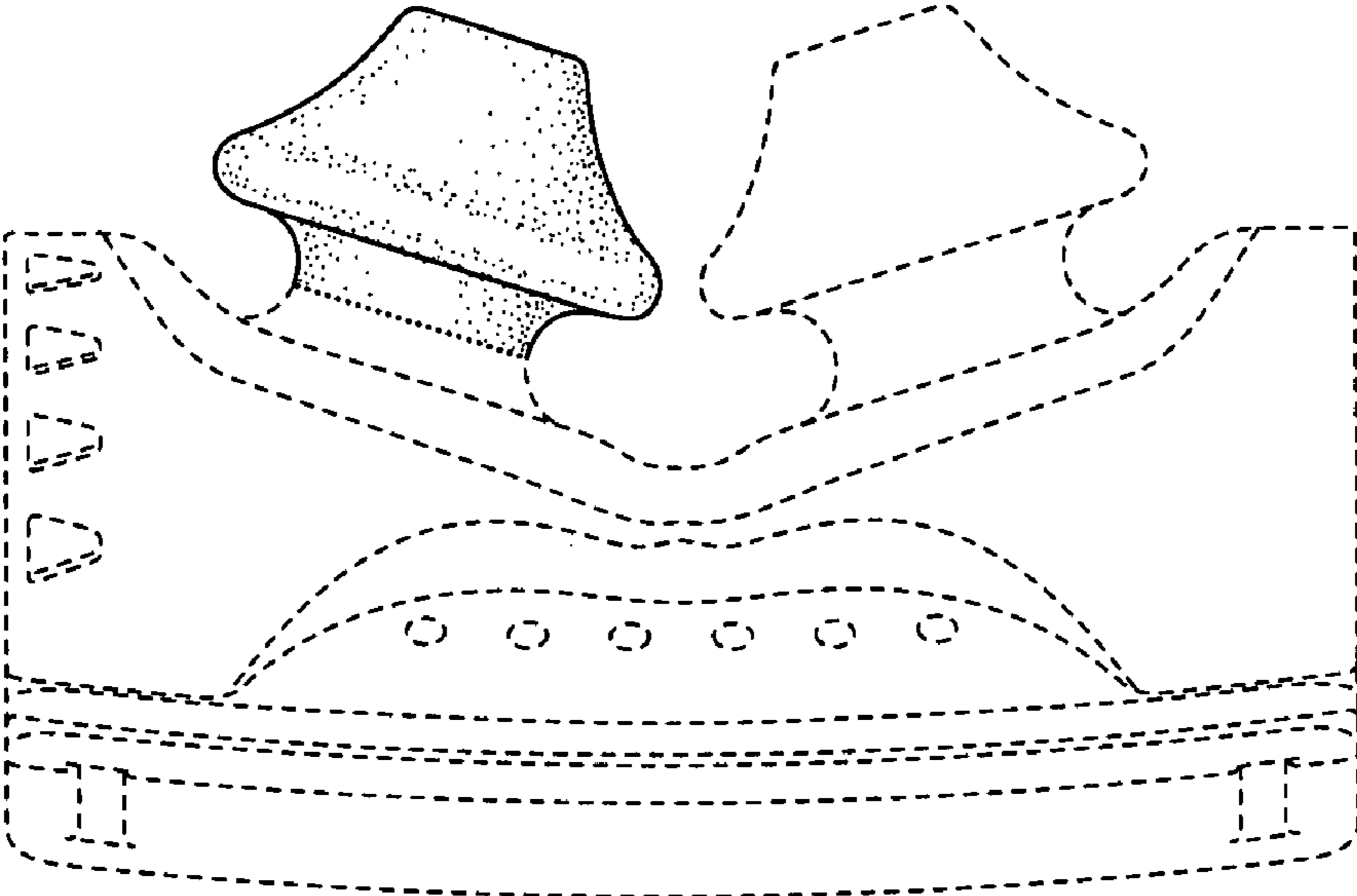


Fig. 2

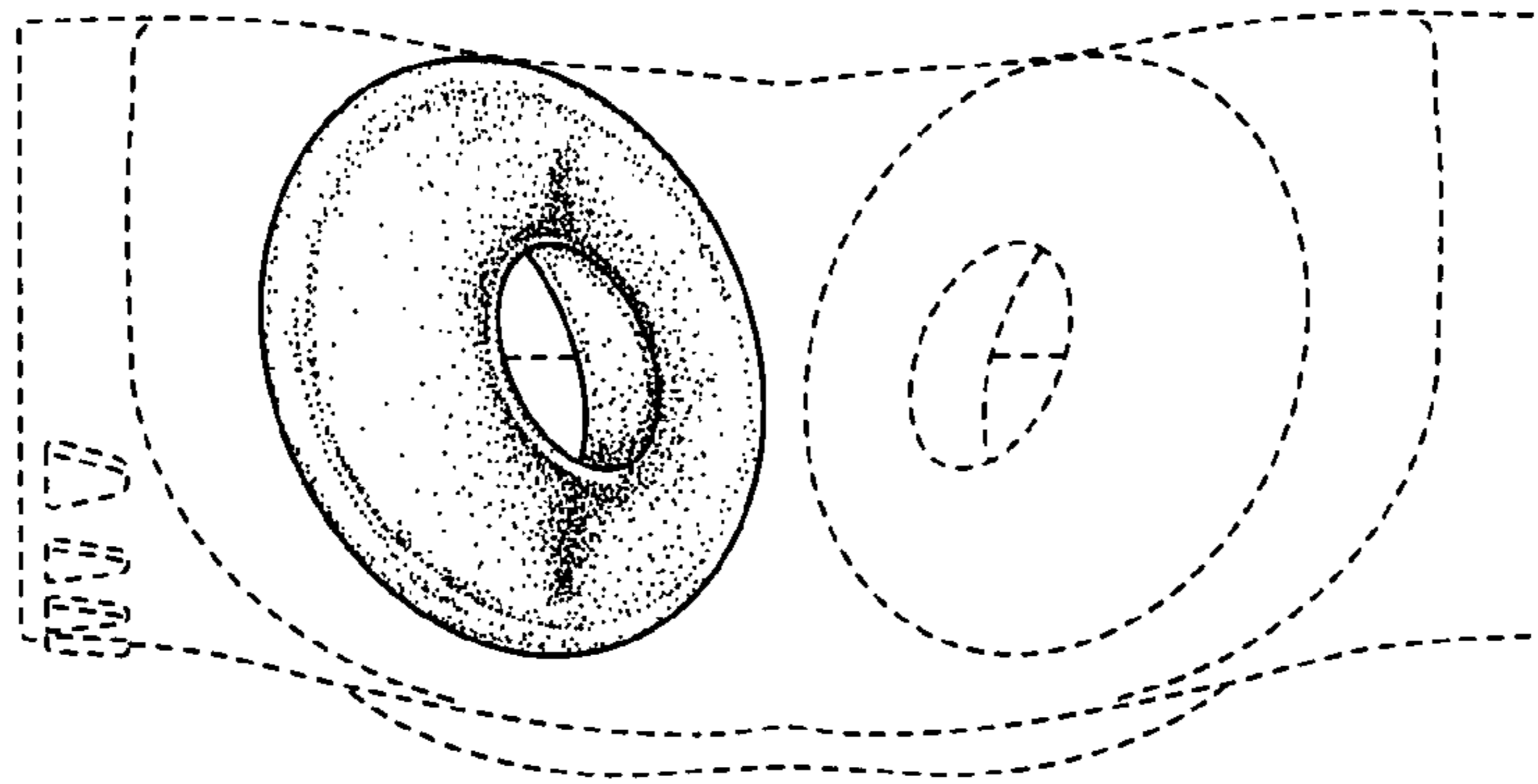


Fig. 3

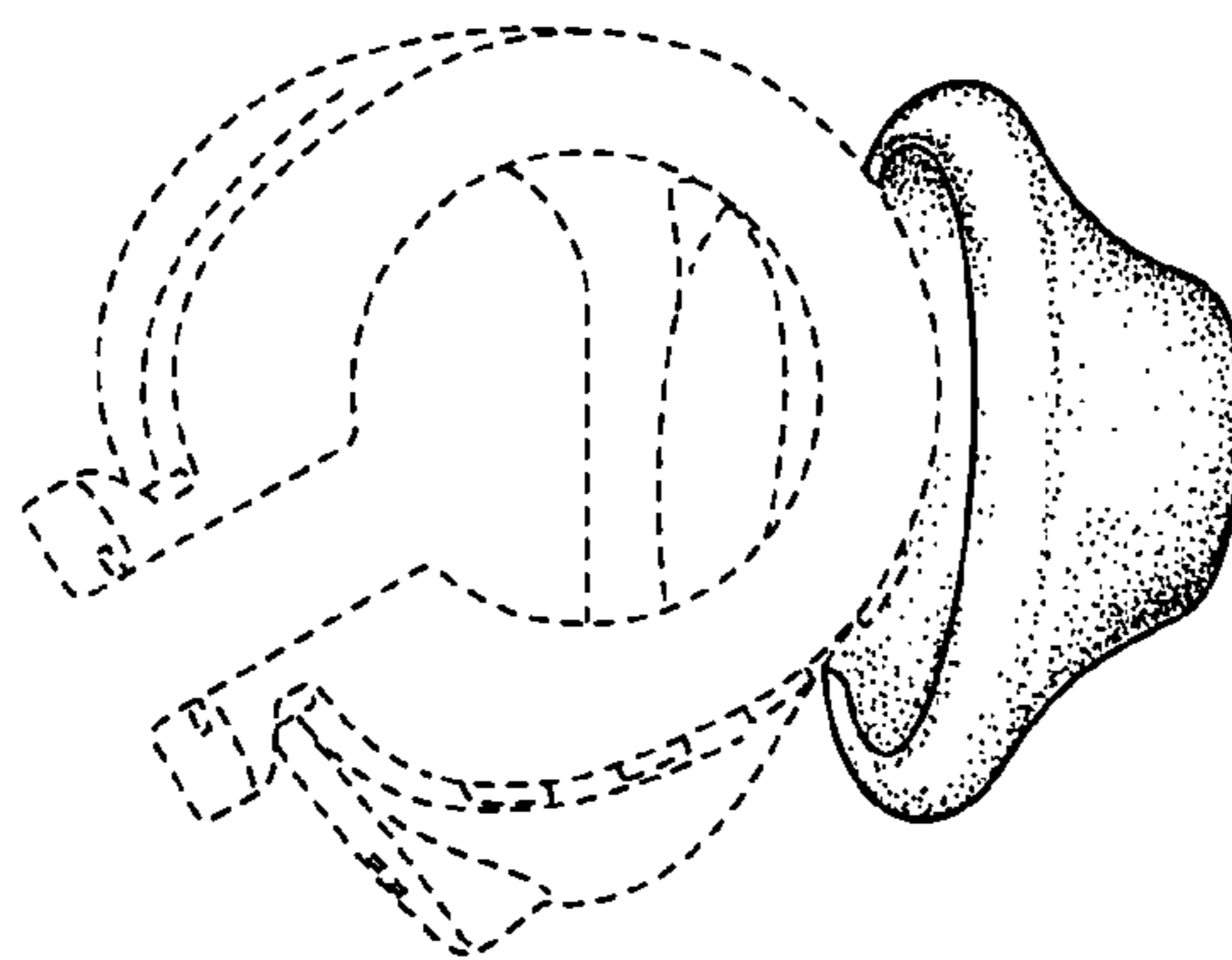


Fig. 4

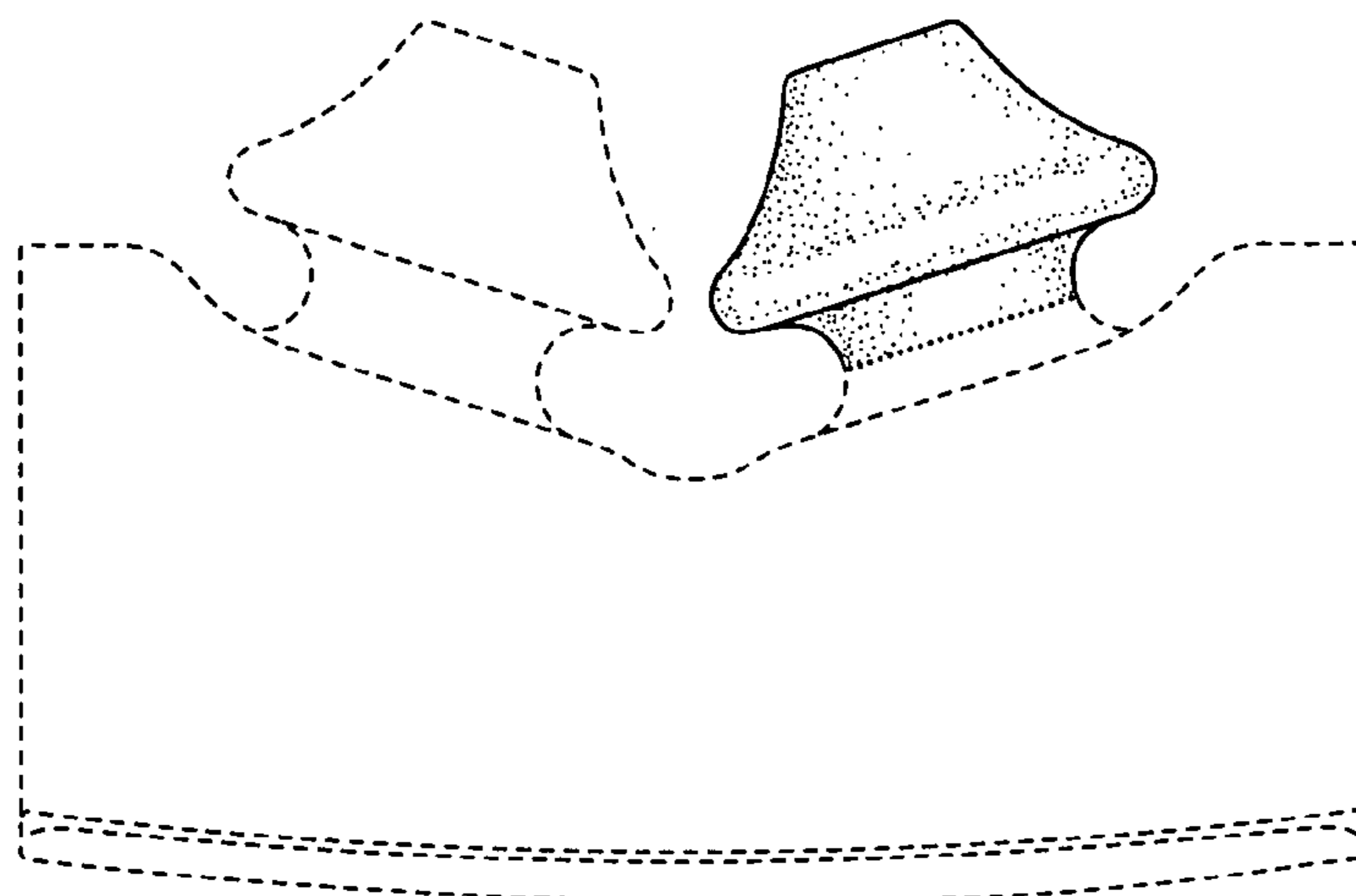


Fig. 5