

US00D562975S

(12) **United States Design Patent** (10) **Patent No.:** **US D562,975 S**
Otto (45) **Date of Patent:** **** Feb. 26, 2008**

(54) **APPARATUS FOR URINE COLLECTION**

(76) Inventor: **Edgar A. Otto**, 8558 Horseshoe La.,
Boca Raton, FL (US) 33496

(**) Term: **14 Years**

(21) Appl. No.: **29/285,043**

(22) Filed: **Mar. 20, 2007**

(51) **LOC (8) Cl.** **24-01**

(52) **U.S. Cl.** **D24/108**

(58) **Field of Classification Search** D24/108,
D24/111, 118, 121, 122; D7/309; 604/317,
604/329; 600/574; 4/144.3, 144.1

See application file for complete search history.

(56) **References Cited**

U.S. PATENT DOCUMENTS

D284,278	S *	6/1986	Hennen	D13/104
5,331,689	A *	7/1994	Haq	4/144.1
5,342,330	A *	8/1994	Kane et al.	604/329
5,637,103	A *	6/1997	Kerwin et al.	604/317
5,701,612	A *	12/1997	Daneshvar	4/144.3
6,070,275	A *	6/2000	Garlock	4/144.1
6,311,339	B1	11/2001	Kraus		
6,493,883	B2 *	12/2002	Jones	4/144.1
D469,176	S *	1/2003	Hall et al.	D24/111
D477,869	S *	7/2003	Vijfvinkel	D24/111
6,732,384	B2 *	5/2004	Scott	4/144.3

6,857,137	B2	2/2005	Otto		
6,904,621	B2	6/2005	Otto et al.		
D536,782	S *	2/2007	Koizumi et al.	D24/108
2007/0225666	A1 *	9/2007	Otto	604/317
2007/0225668	A1 *	9/2007	Otto	604/347

* cited by examiner

Primary Examiner—Adir Aronovich
Assistant Examiner—Carissa C Fitts
(74) *Attorney, Agent, or Firm*—Christopher & Weisberg,
P.A.

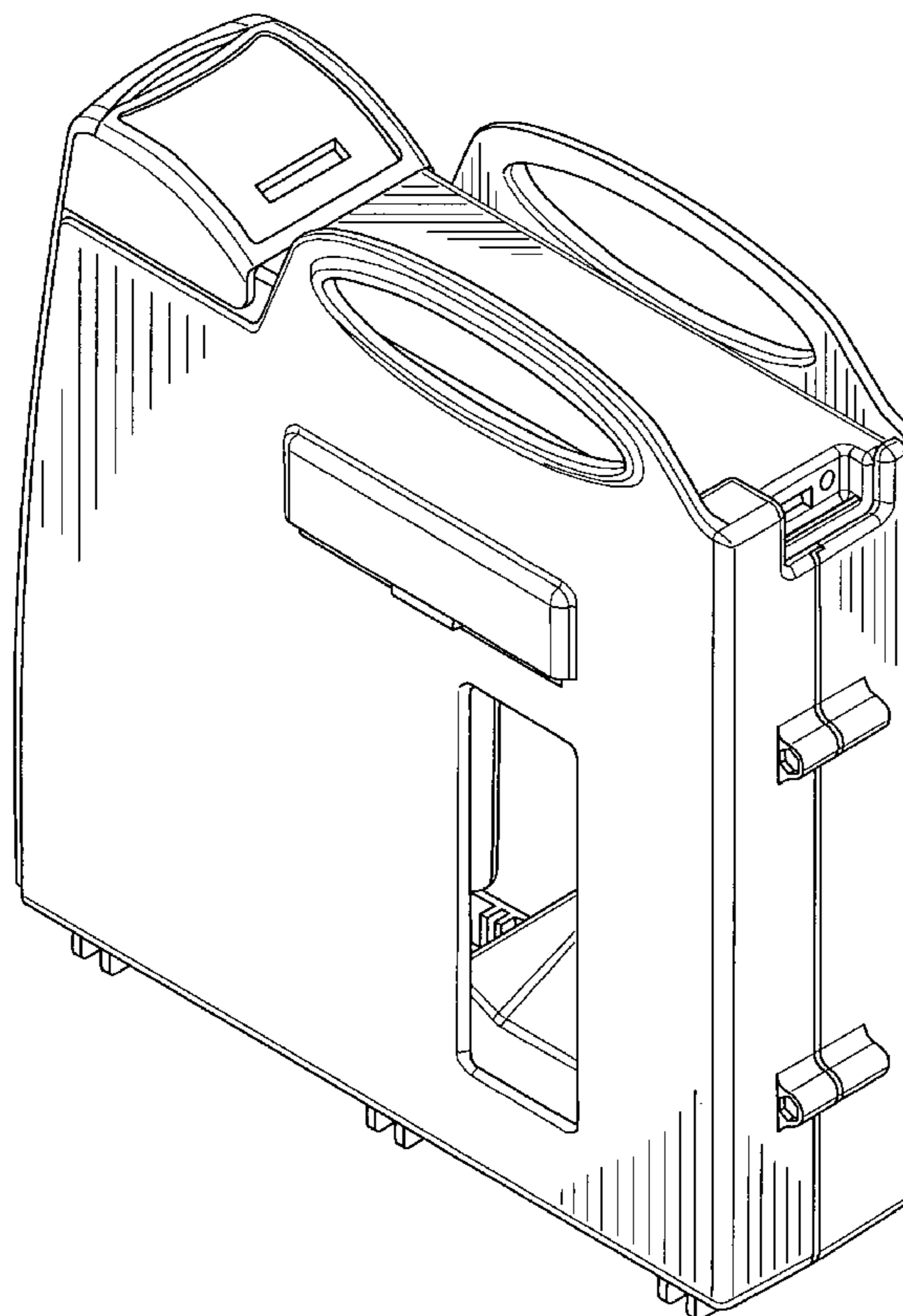
(57) **CLAIM**

The ornamental design for an apparatus for urine collection,
as shown.

DESCRIPTION

FIG. 1 is a perspective view of a urine collection apparatus
in accordance with the present invention;
FIG. 2 is a right side view thereof;
FIG. 3 is a left side view thereof;
FIG. 4 is a front view thereof;
FIG. 5 is a rear view thereof;
FIG. 6 is a top view thereof; and,
FIG. 7 is a bottom view thereof.

1 Claim, 5 Drawing Sheets



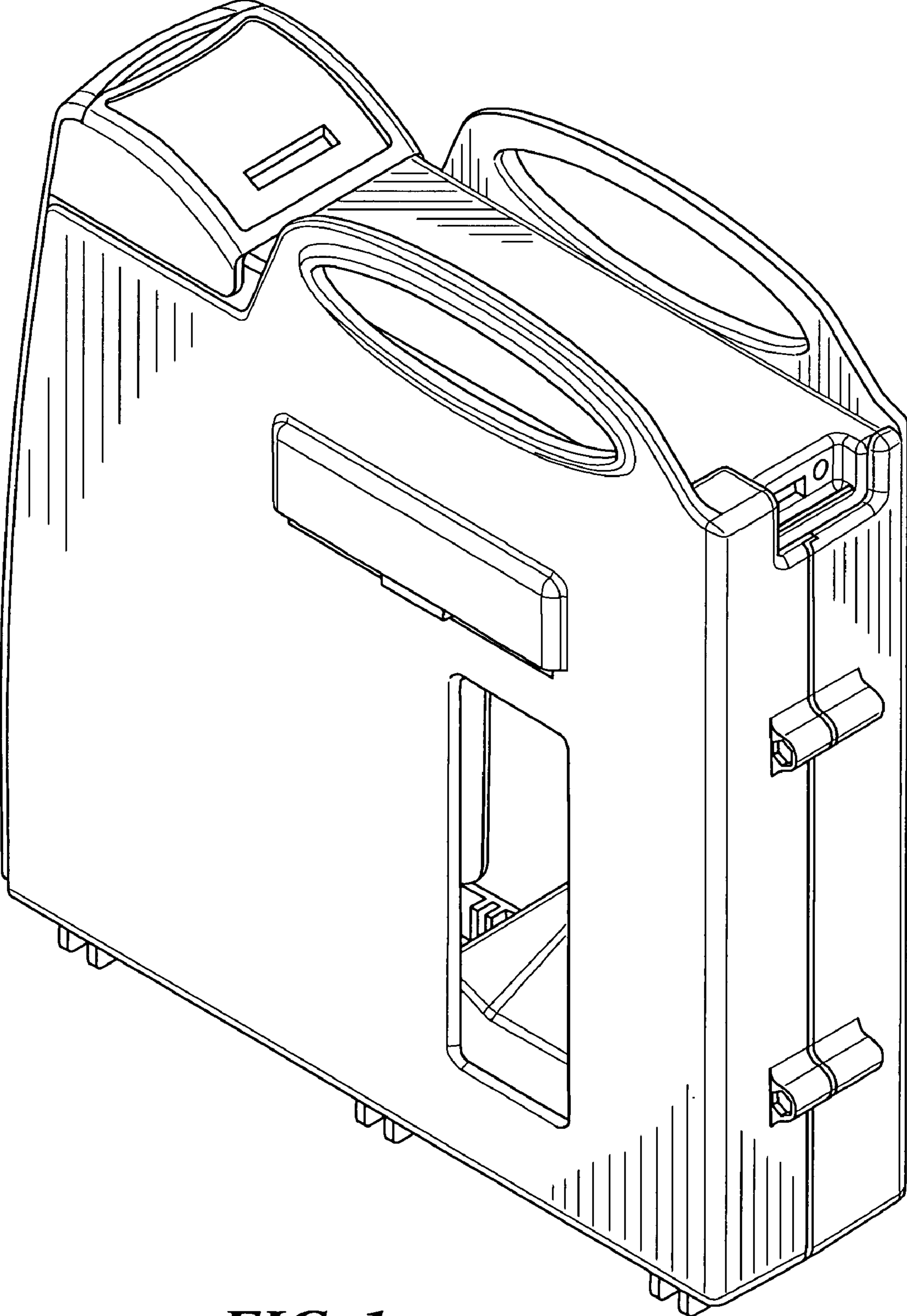


FIG. 1

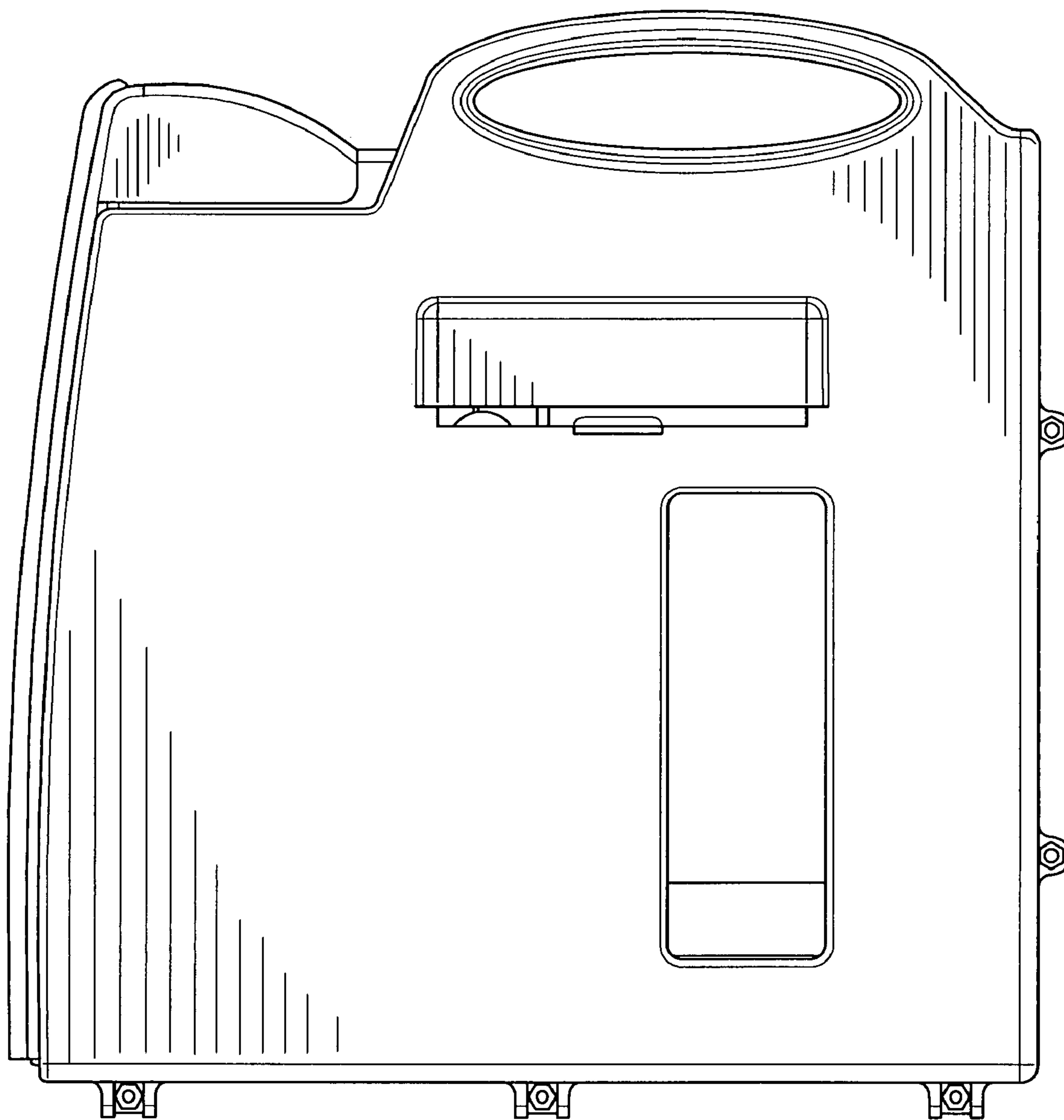


FIG. 2

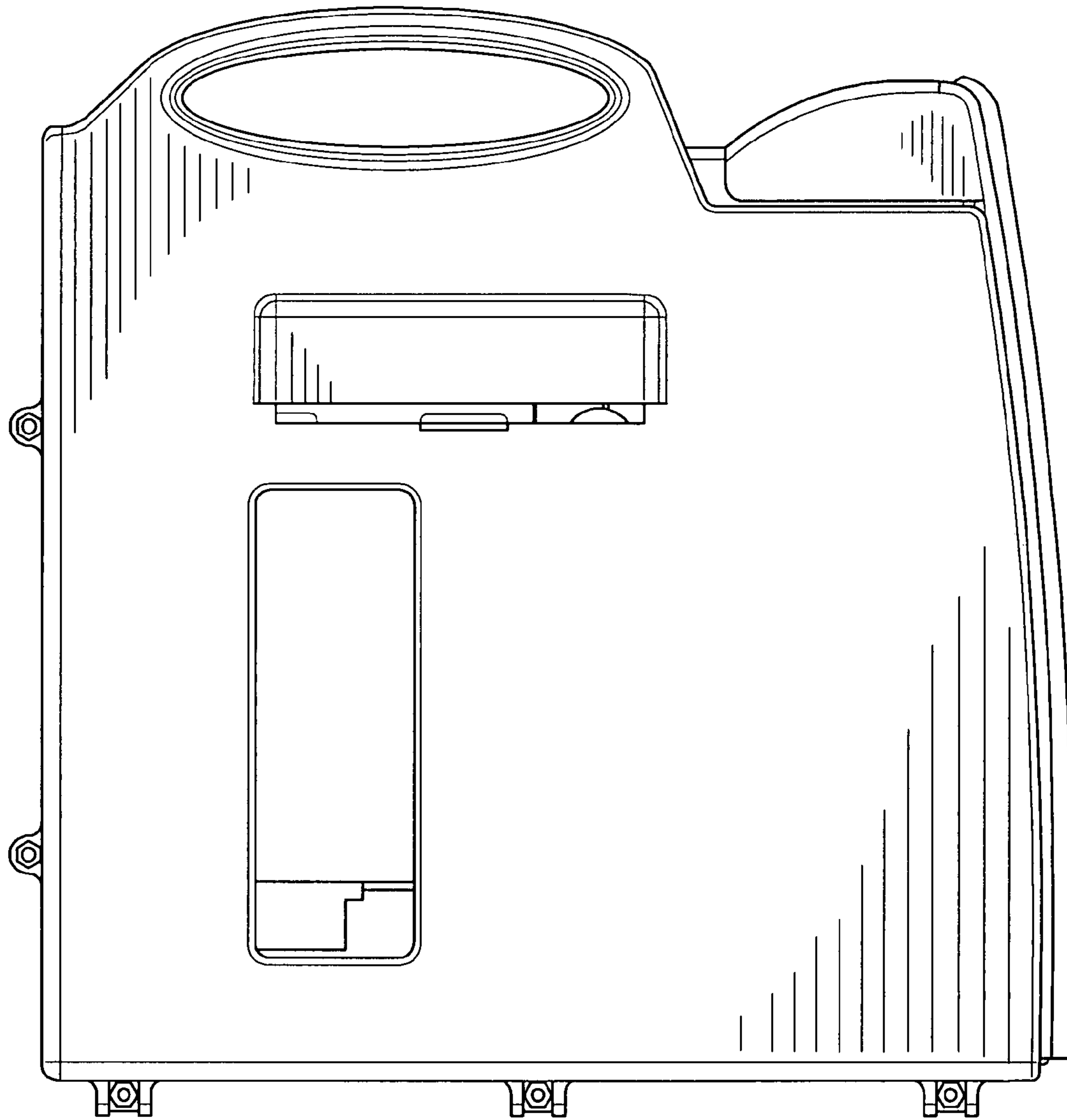


FIG. 3

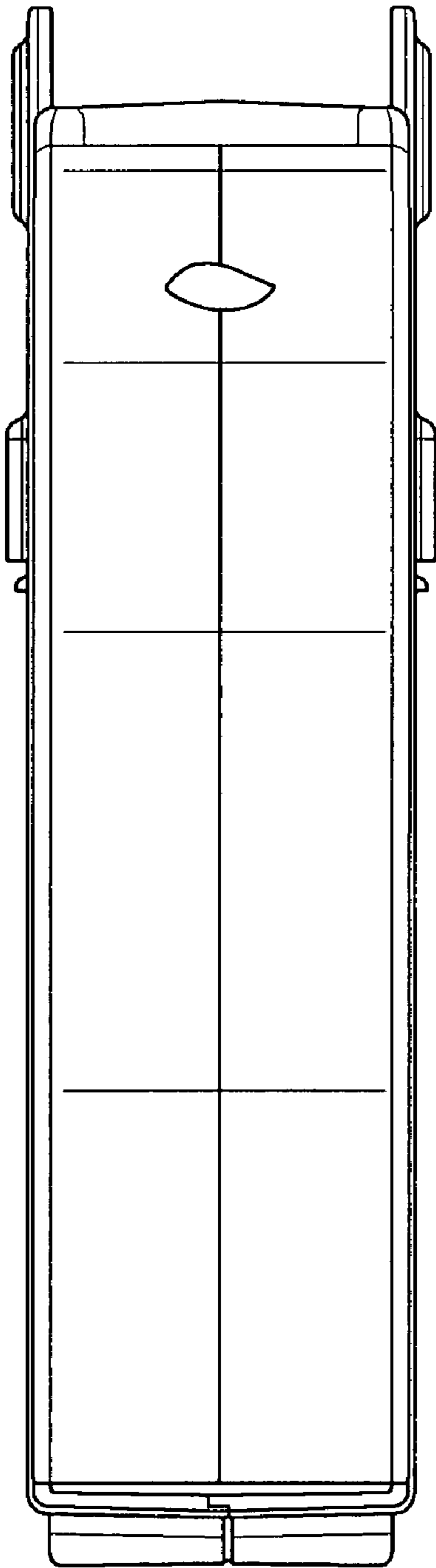


FIG. 4

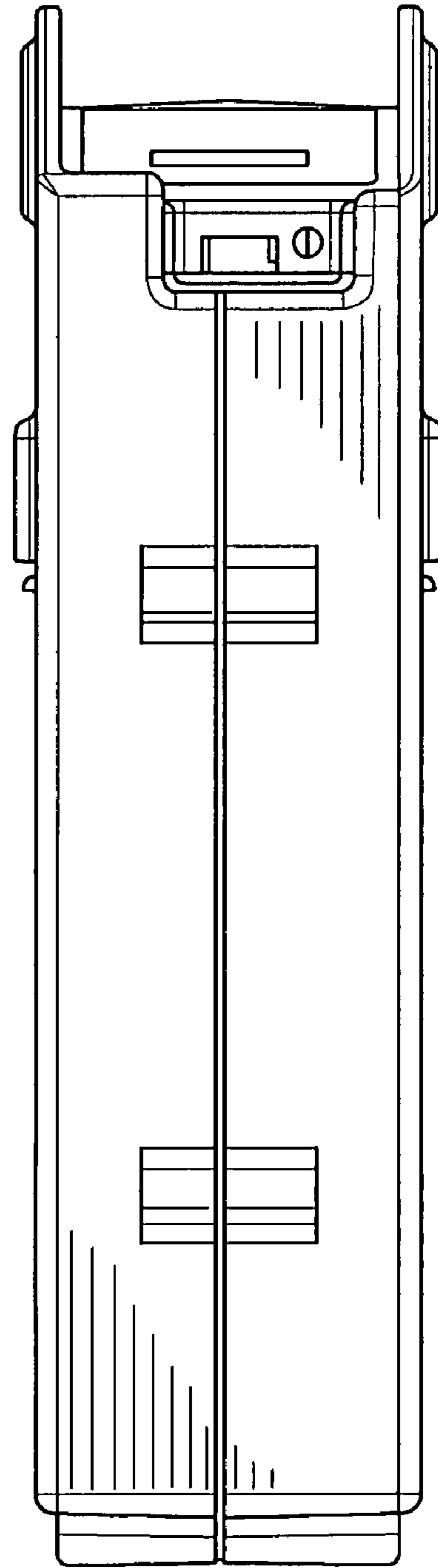


FIG. 5

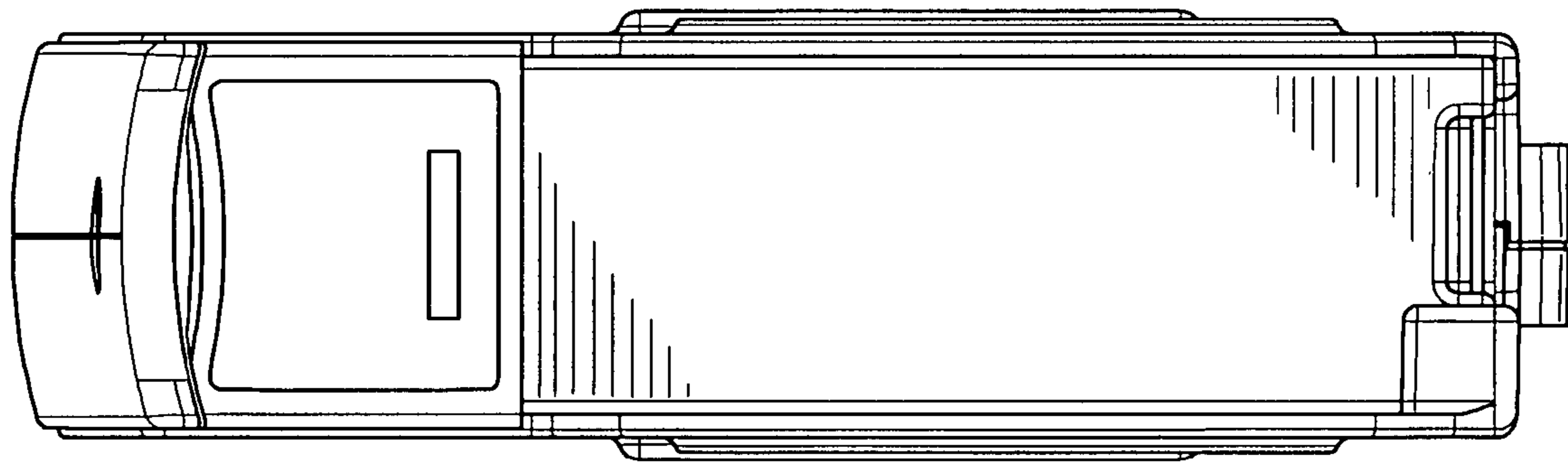


FIG. 6

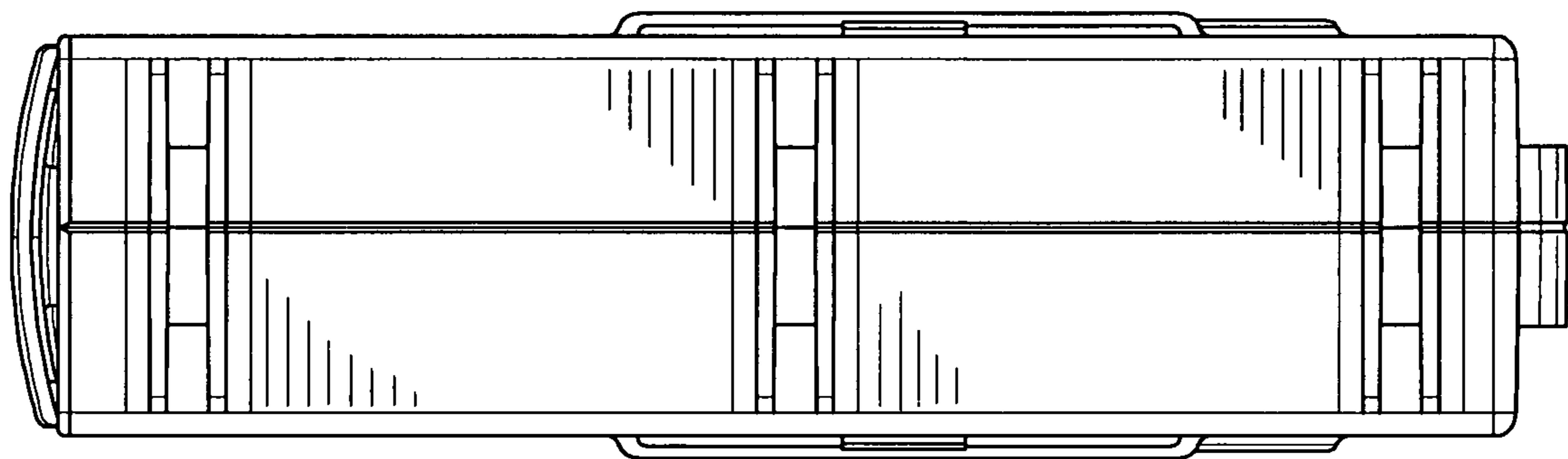


FIG. 7