



US00D562968S

(12) **United States Design Patent**
Pickett

(10) **Patent No.:** **US D562,968 S**

(45) **Date of Patent:** **** Feb. 26, 2008**

(54) **DECORATIVE END OF A FAN BLADE BRACKET**

(74) *Attorney, Agent, or Firm*—Parsons & Goltry; Michael W. Goltry; Robert A. Parsons

(76) Inventor: **Mark Pickett**, 1419 E. Palm St., Altadena, CA (US) 91001

(57) **CLAIM**

(**) Term: **14 Years**

The ornamental design for a decorative end of a fan blade bracket, as shown and described.

(21) Appl. No.: **29/279,460**

(22) Filed: **May 1, 2007**

DESCRIPTION

(51) **LOC (8) Cl.** **23-04**

(52) **U.S. Cl.** **D23/411**

(58) **Field of Classification Search** D23/411,
D23/413, 377, 379, 385; 416/5; D26/59,
D26/51, 72, 81–86.88

See application file for complete search history.

FIG. 1 is a bottom perspective view of a decorative end of a fan blade bracket showing my new design;

FIG. 2 is a top perspective view thereof;

FIG. 3 is a left side elevational view thereof;

FIG. 4 is a right side elevational view thereof;

FIG. 5 is a reduced top plan view thereof;

FIG. 6 is a reduced bottom plan view thereof; and,

FIG. 7 is a front elevational view thereof.

(56) **References Cited**

U.S. PATENT DOCUMENTS

D532,104 S * 11/2006 Pickett D23/411

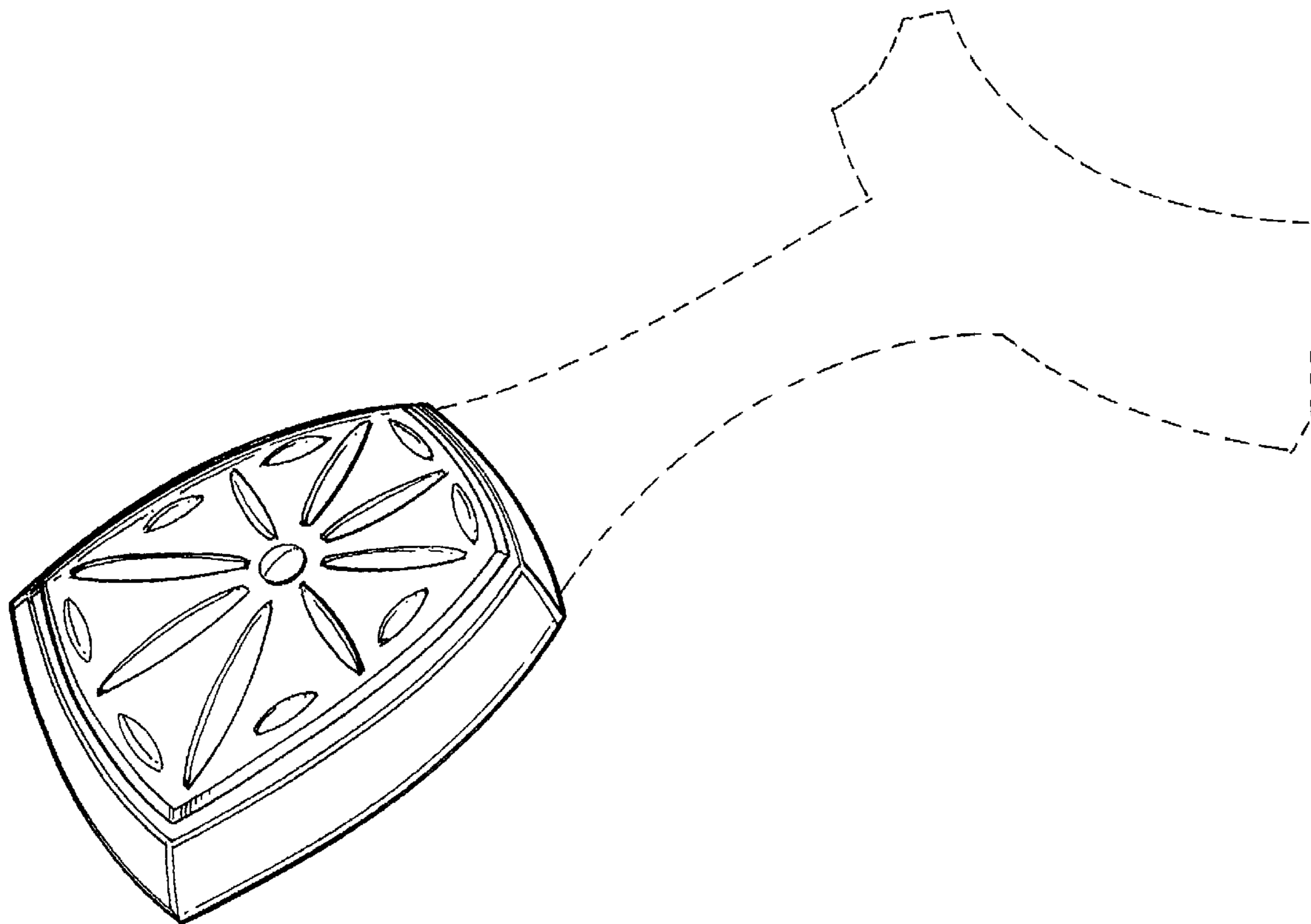
D551,337 S * 9/2007 Pickett D23/411

The broken line showing of the blade iron attachment member is included for the purpose of illustrating environmental structure and forms no part of the claimed design.

* cited by examiner

Primary Examiner—Lisa Lichtenstein

1 Claim, 5 Drawing Sheets



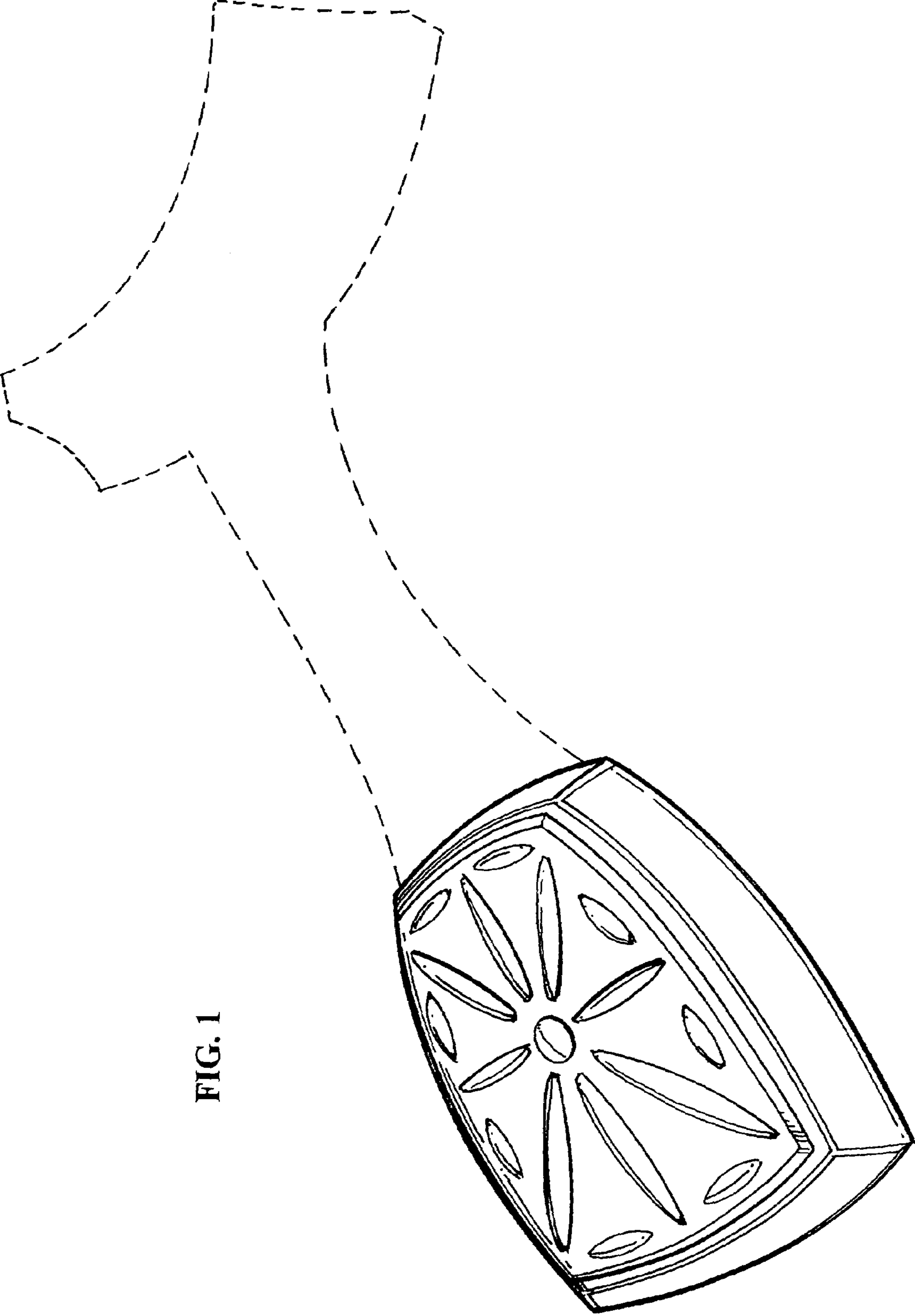


FIG. 1

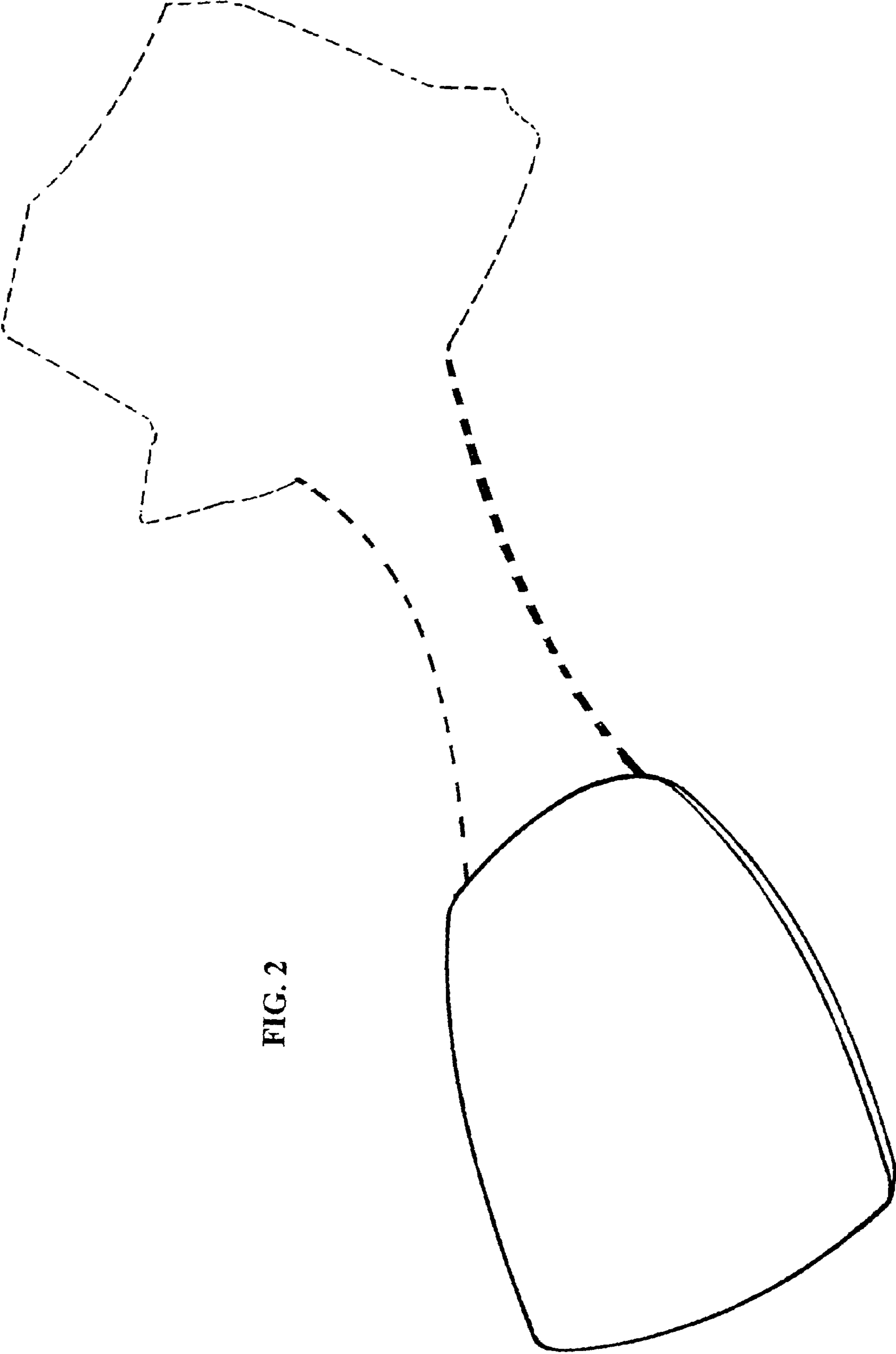


FIG. 2

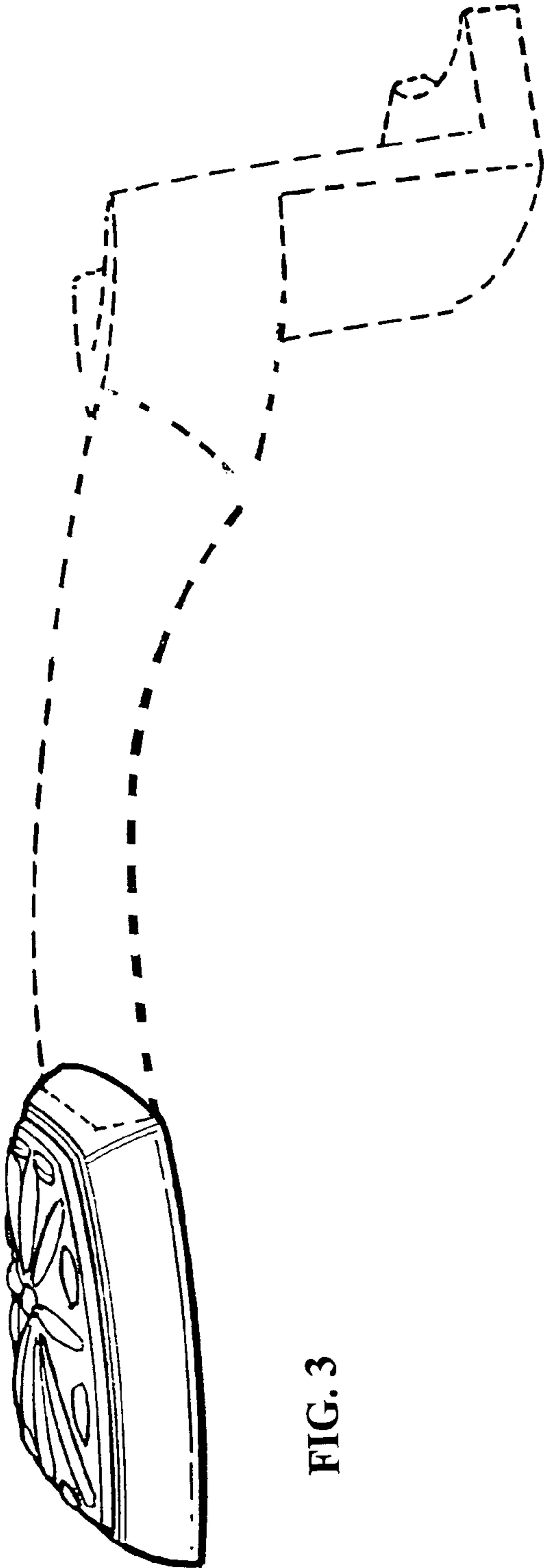


FIG. 3

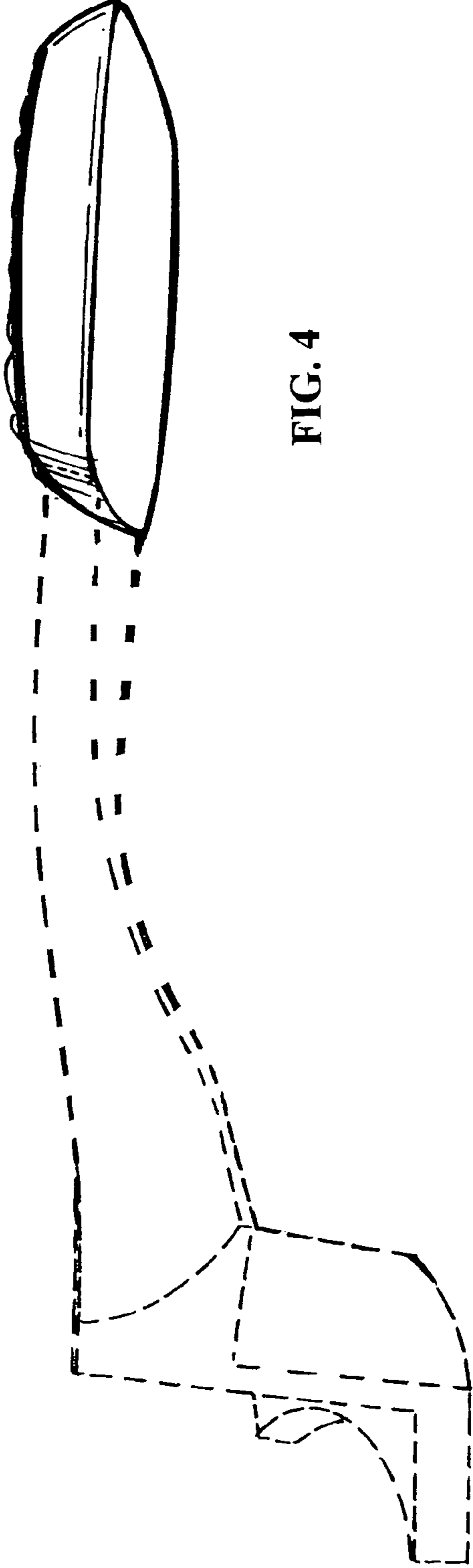


FIG. 4

FIG. 5

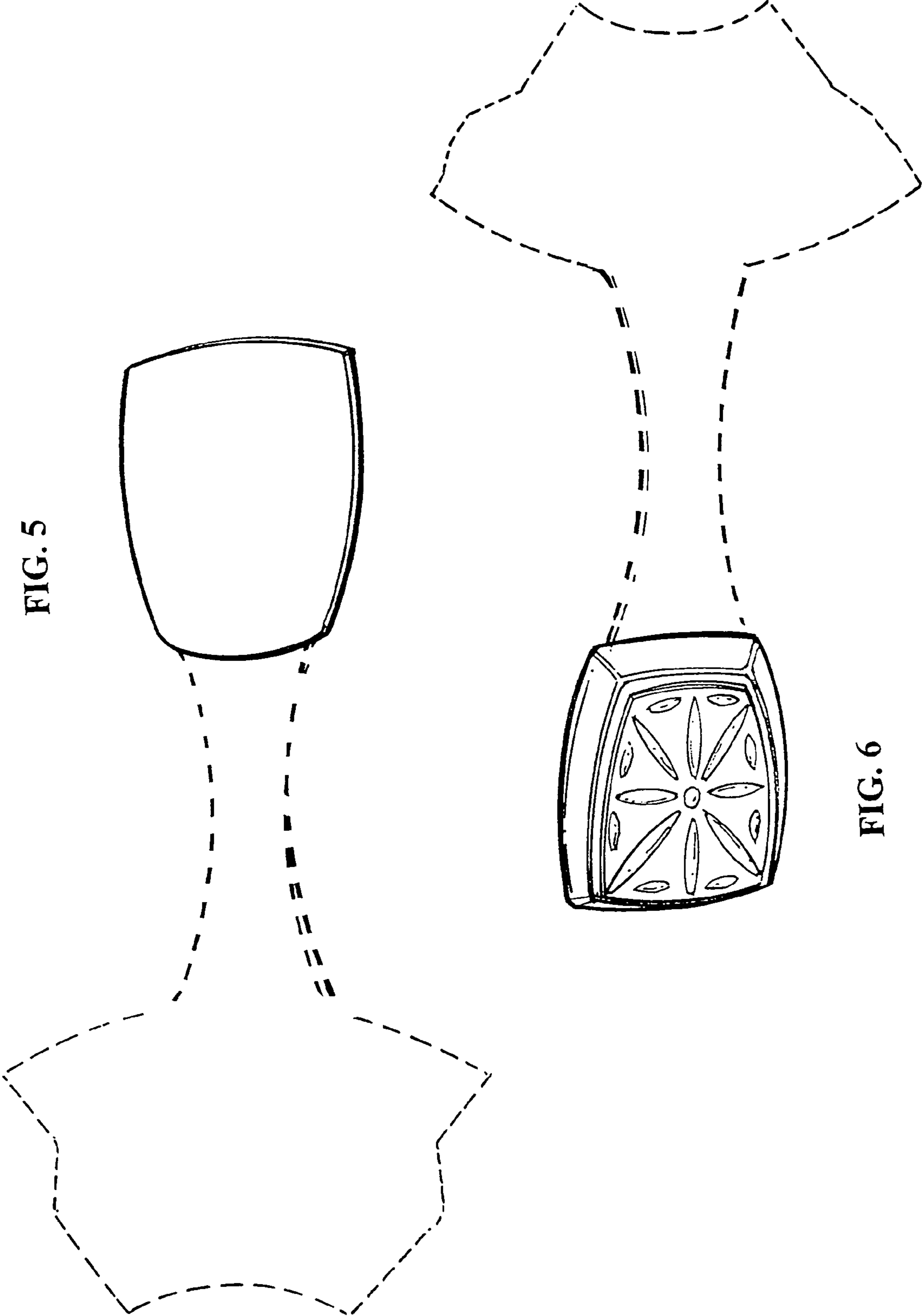
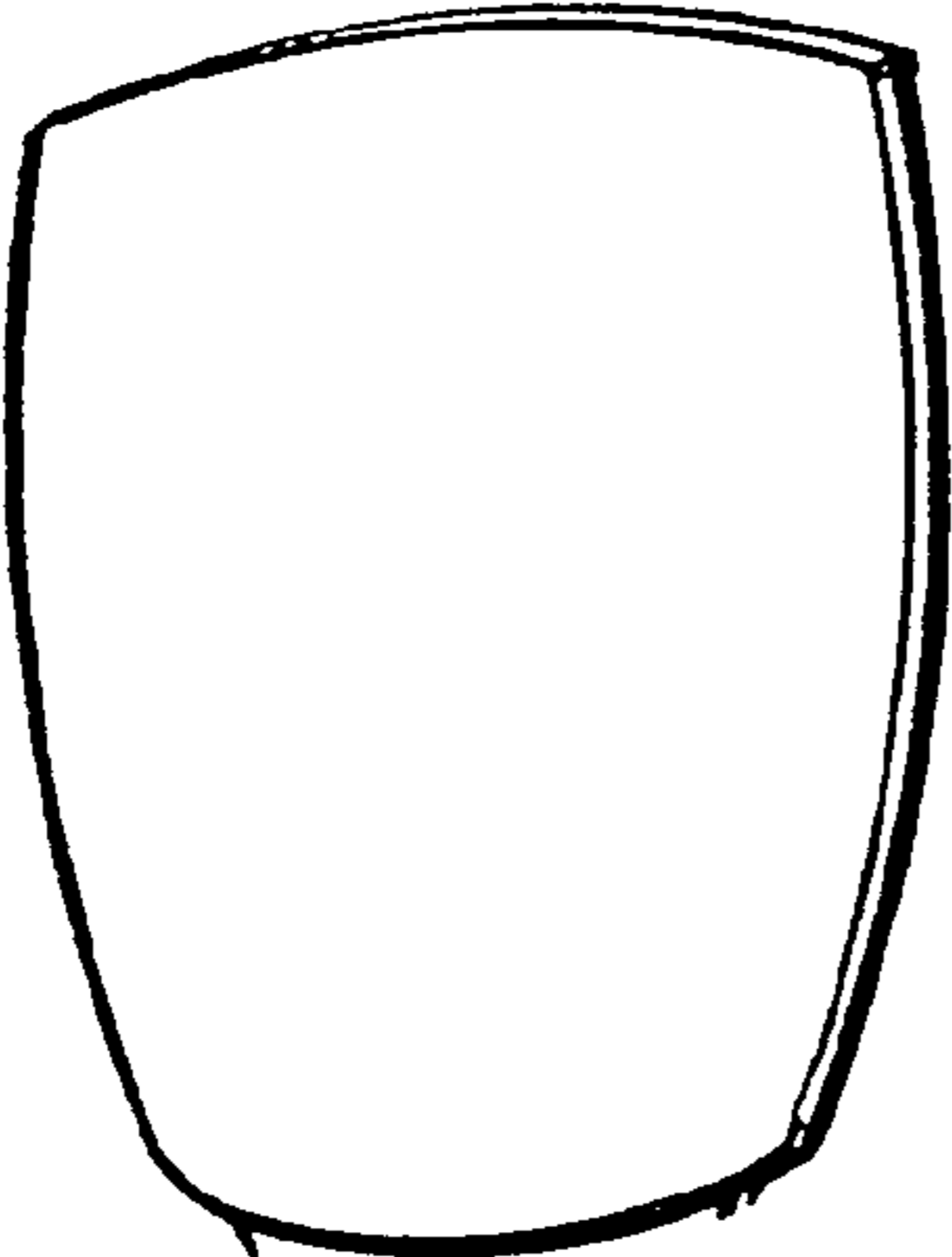


FIG. 6

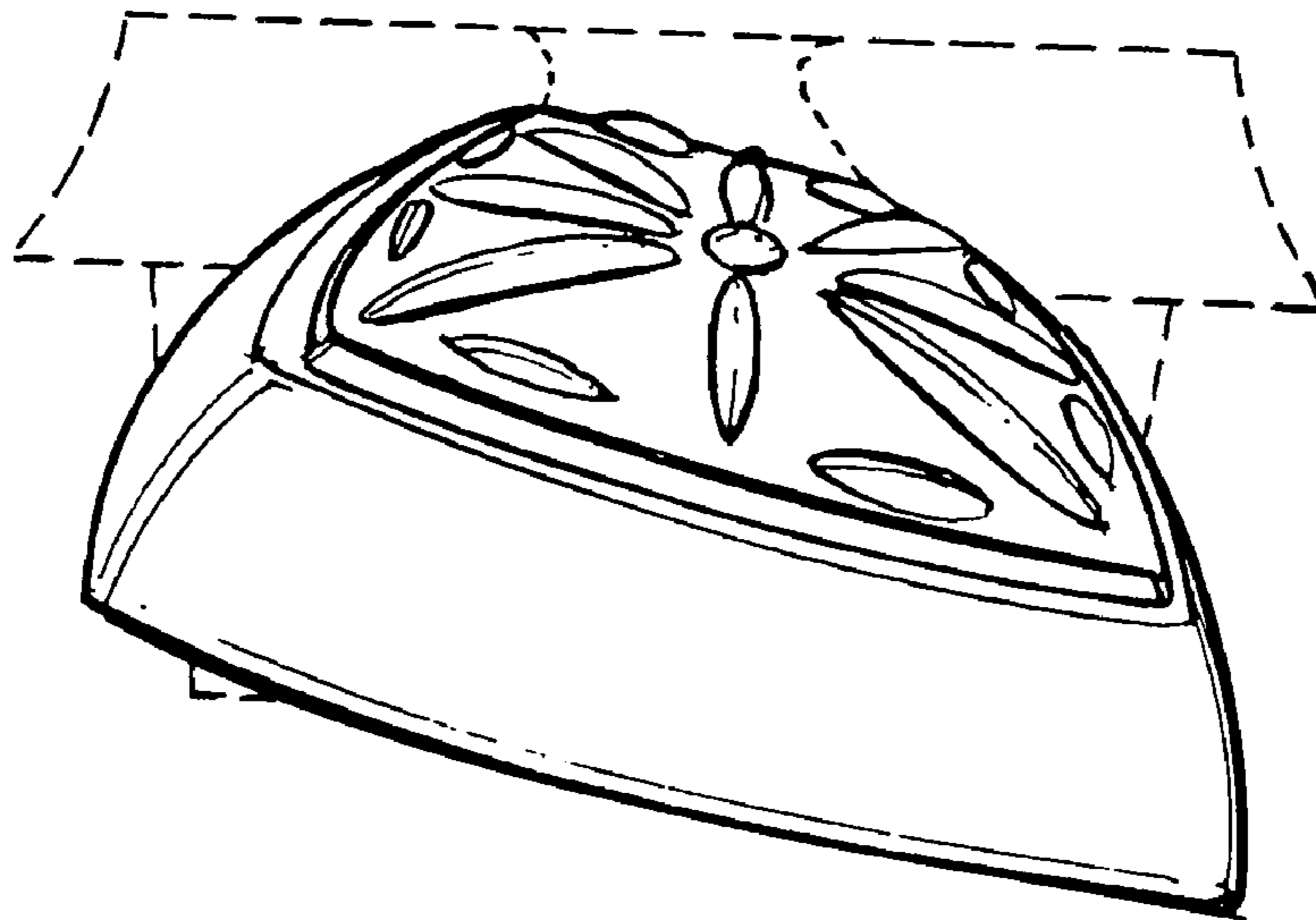


FIG.7