

US00D562962S

(12) **United States Design Patent**
Li

(10) **Patent No.:** **US D562,962 S**

(45) **Date of Patent:** **** Feb. 26, 2008**

(54) **ELECTRIC FAN**

D542,906 S * 5/2007 Li D23/382

(75) Inventor: **Dejian Li**, Jiangmen (CN)

* cited by examiner

(73) Assignee: **Jiangmen Shengke Co., Ltd.**,
Jiangmen (CN)

Primary Examiner—Lisa Lichtenstein
(74) *Attorney, Agent, or Firm*—Intellectual Property Law
Group LLP; Otto O. Lee; Juneko Jackson

(**) Term: **14 Years**

(57) **CLAIM**

(21) Appl. No.: **29/282,188**

The ornamental design for an electric fan, as shown and
described.

(22) Filed: **Jul. 12, 2007**

(51) **LOC (8) Cl.** **23-04**

(52) **U.S. Cl.** **D23/382**

(58) **Field of Classification Search** D23/382,
D23/381, 332, 370, 411, 412; 416/249 R,
416/247 R, 244 R

See application file for complete search history.

DESCRIPTION

FIG. 1 is a reduced perspective view of an electric fan
embodying my new design;

FIG. 2 is a reduced front elevational view thereof;

FIG. 3 is a reduced rear elevational view thereof;

FIG. 4 is a reduced left side elevational view thereof;

FIG. 5 is a reduced right side elevational view thereof;

FIG. 6 is a top plan view thereof; and,

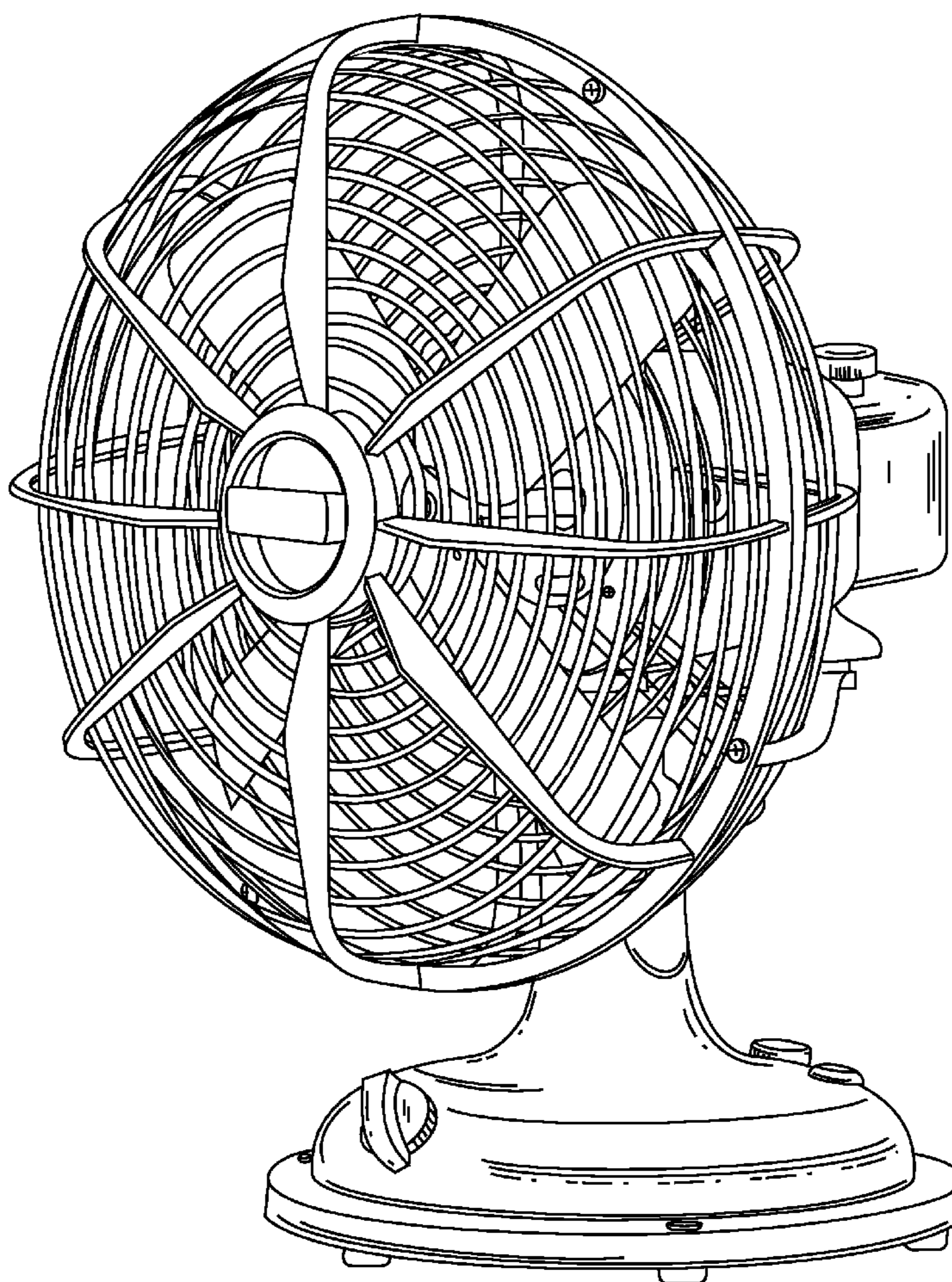
FIG. 7 is a bottom plan view thereof.

(56) **References Cited**

U.S. PATENT DOCUMENTS

D483,852 S	*	12/2003	Wong	D23/382
D538,921 S	*	3/2007	Li	D23/382
D540,936 S	*	4/2007	Li	D23/382

1 Claim, 5 Drawing Sheets



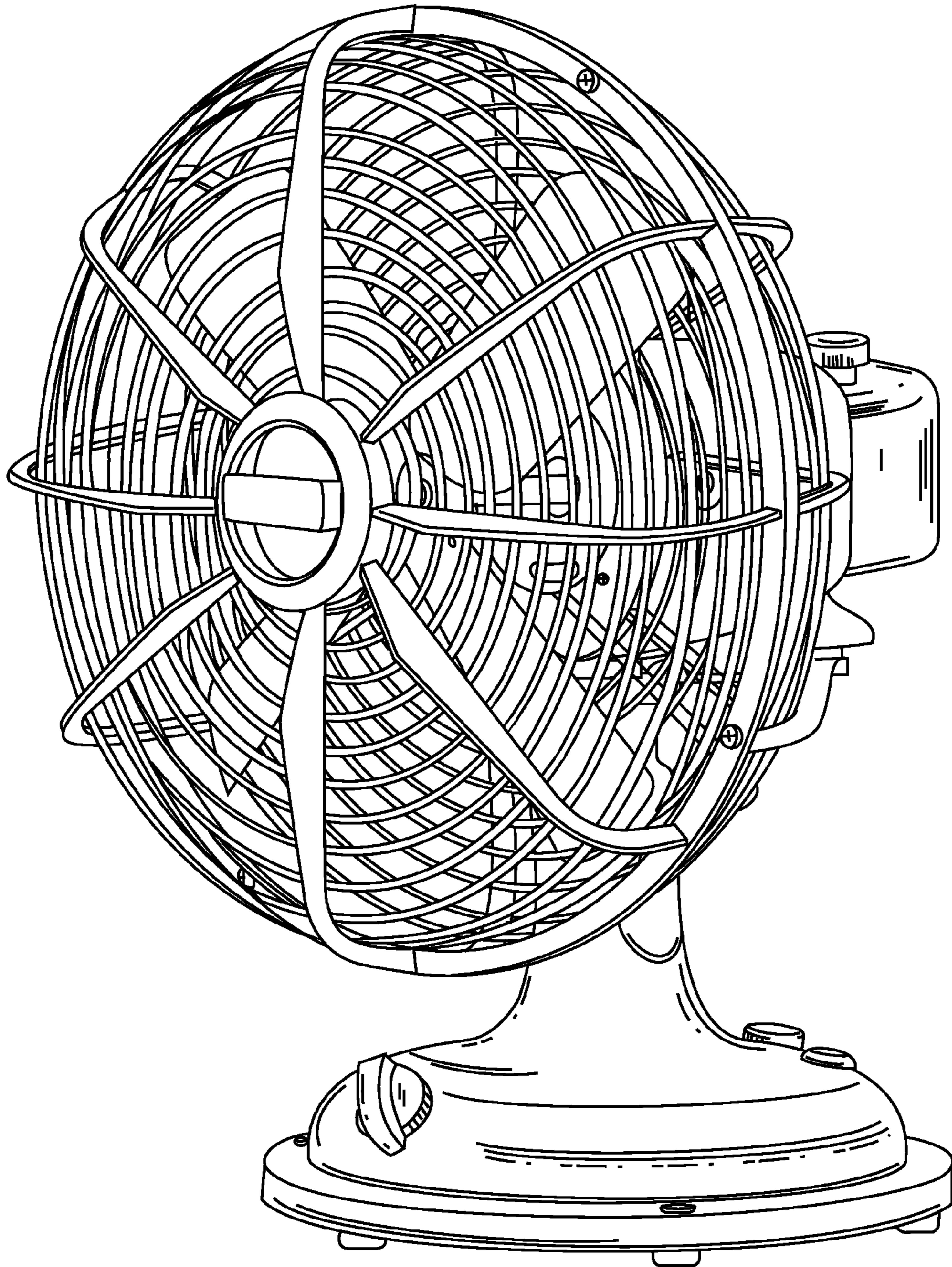


FIG. 1

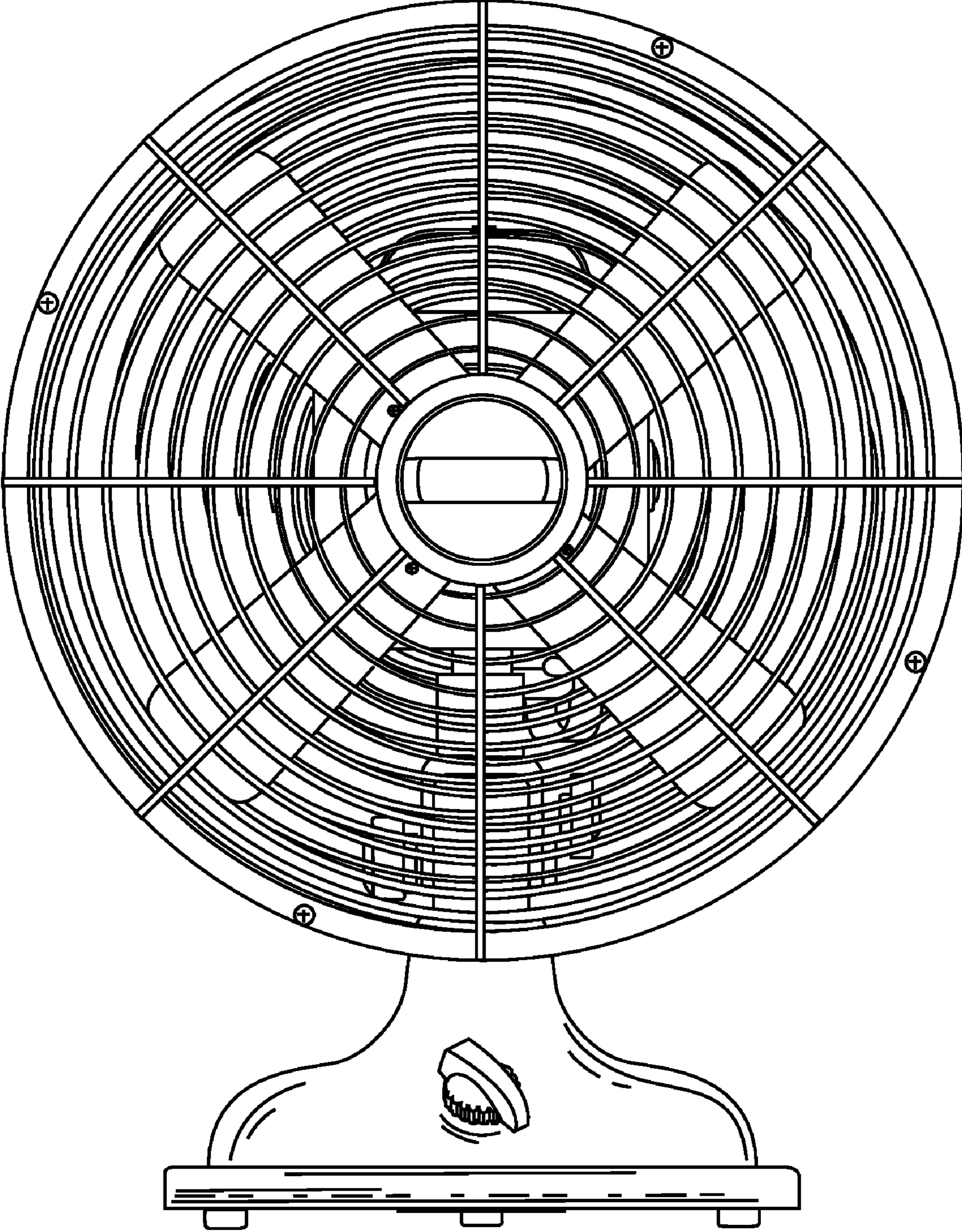


FIG. 2

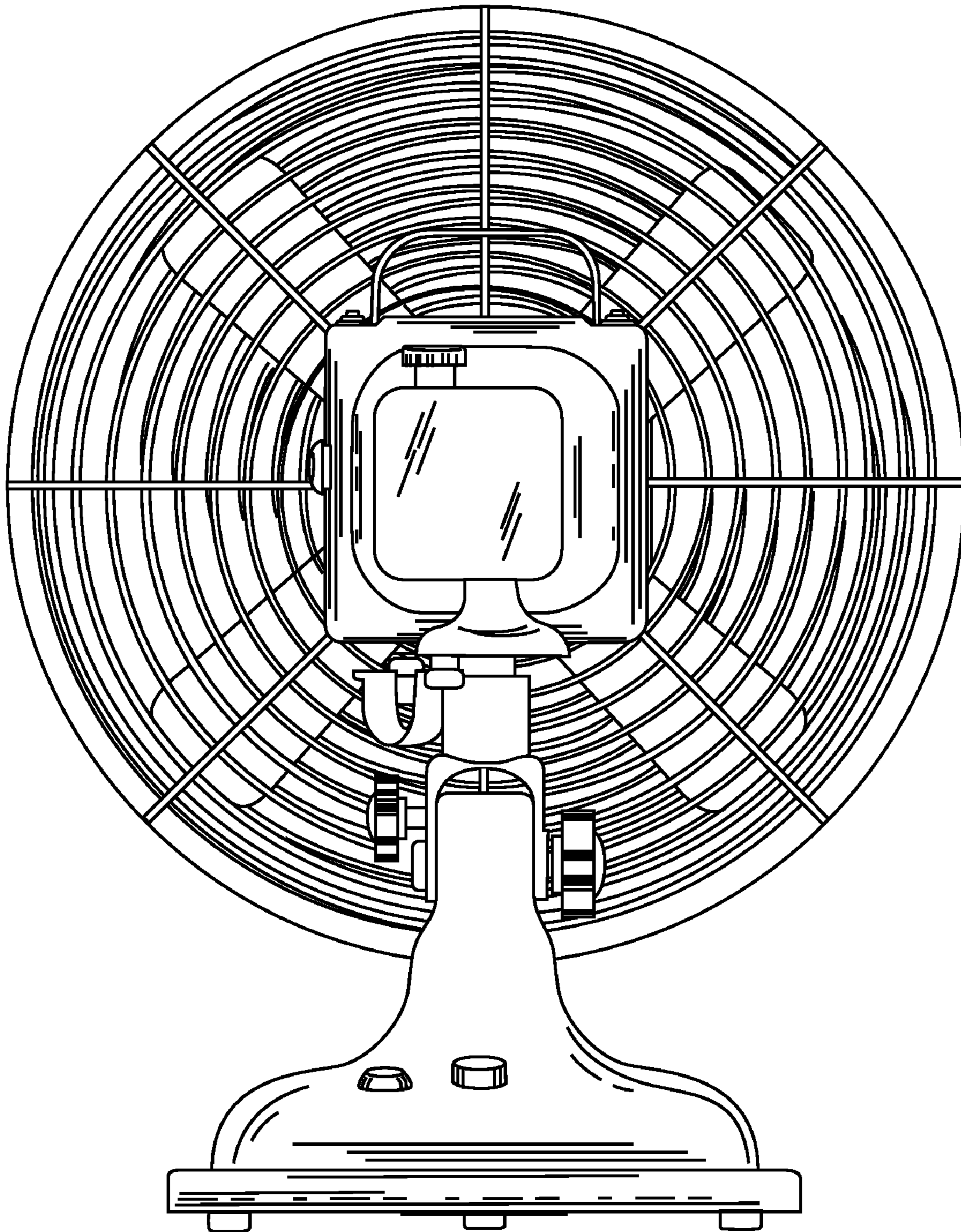


FIG. 3

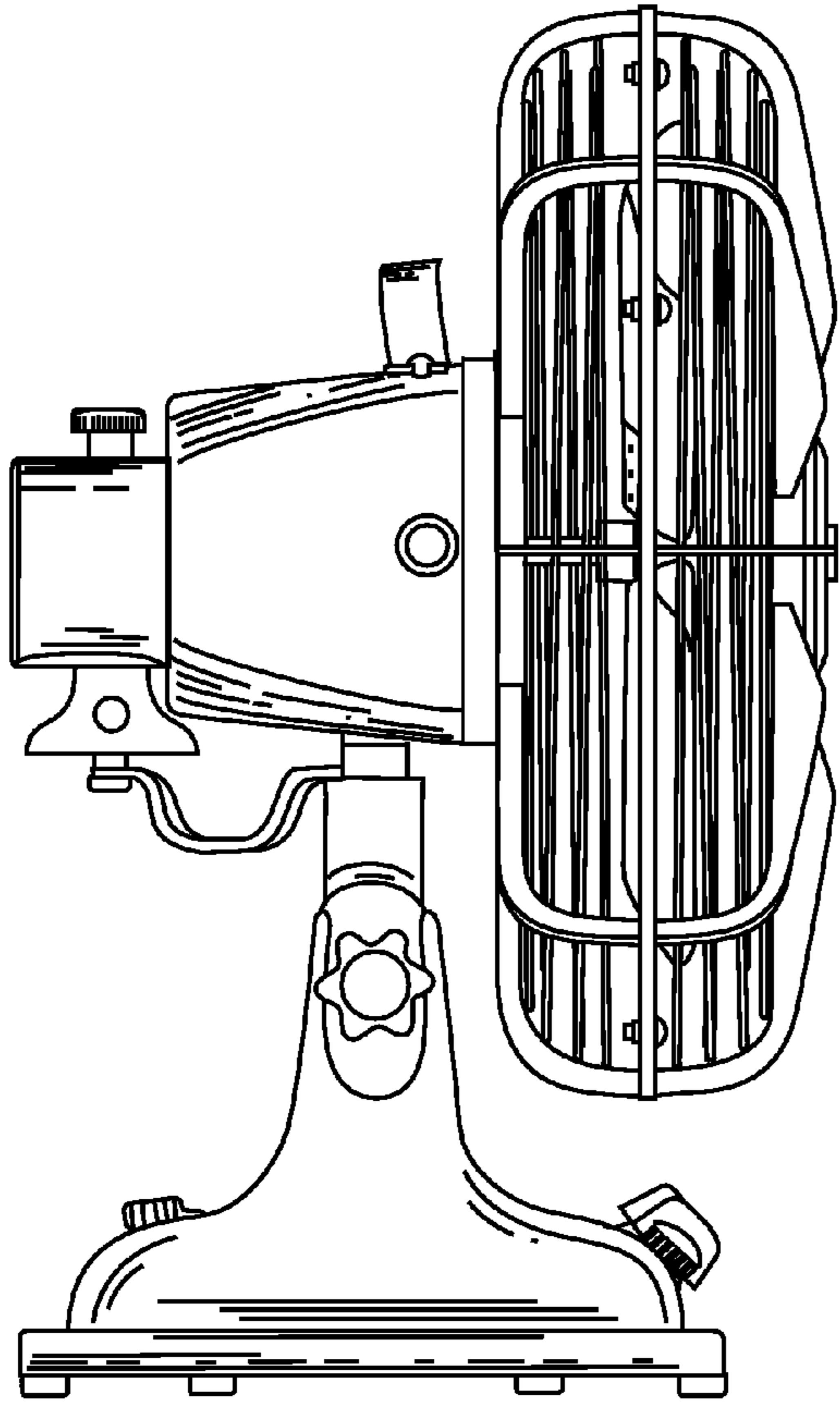


FIG. 4

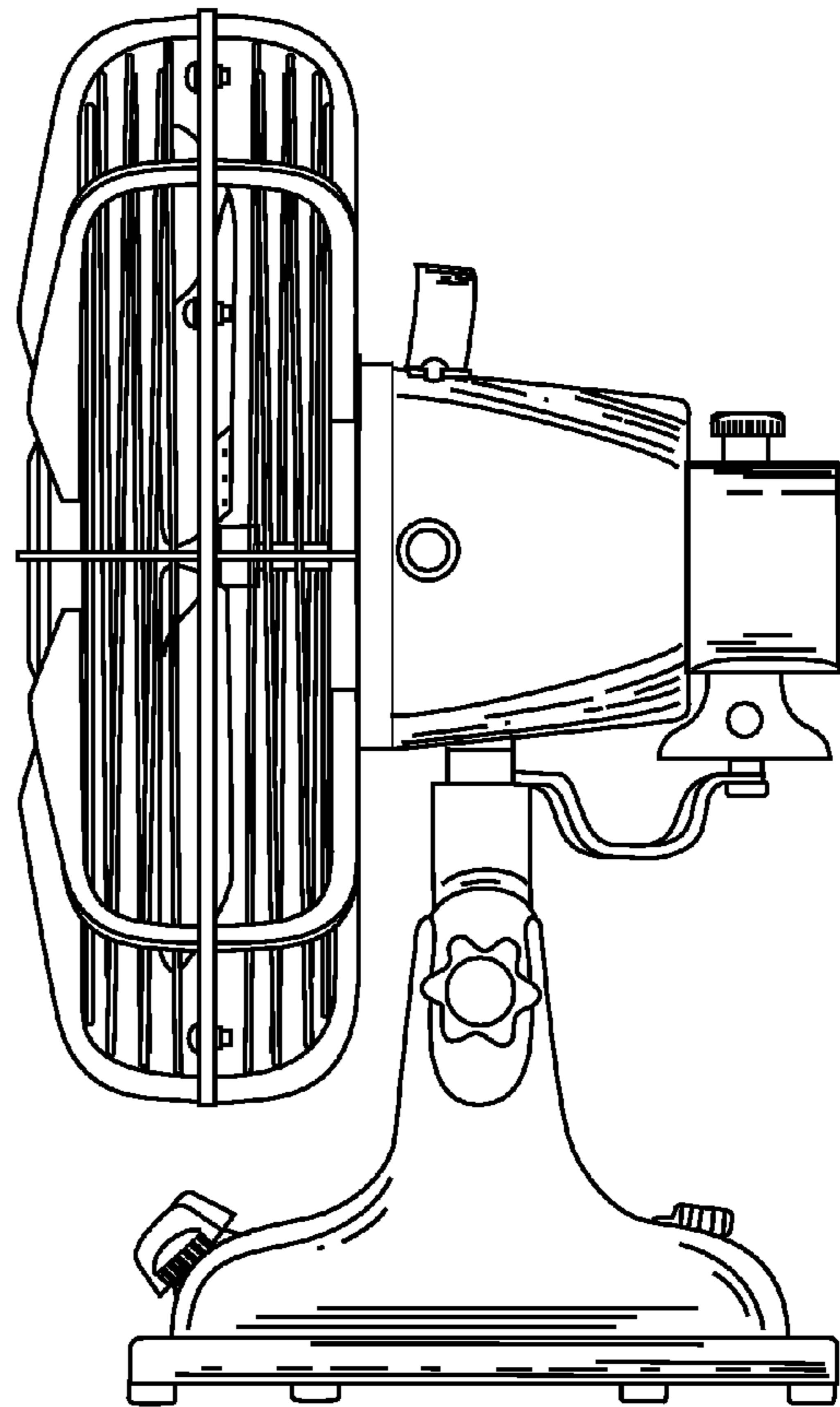


FIG. 5

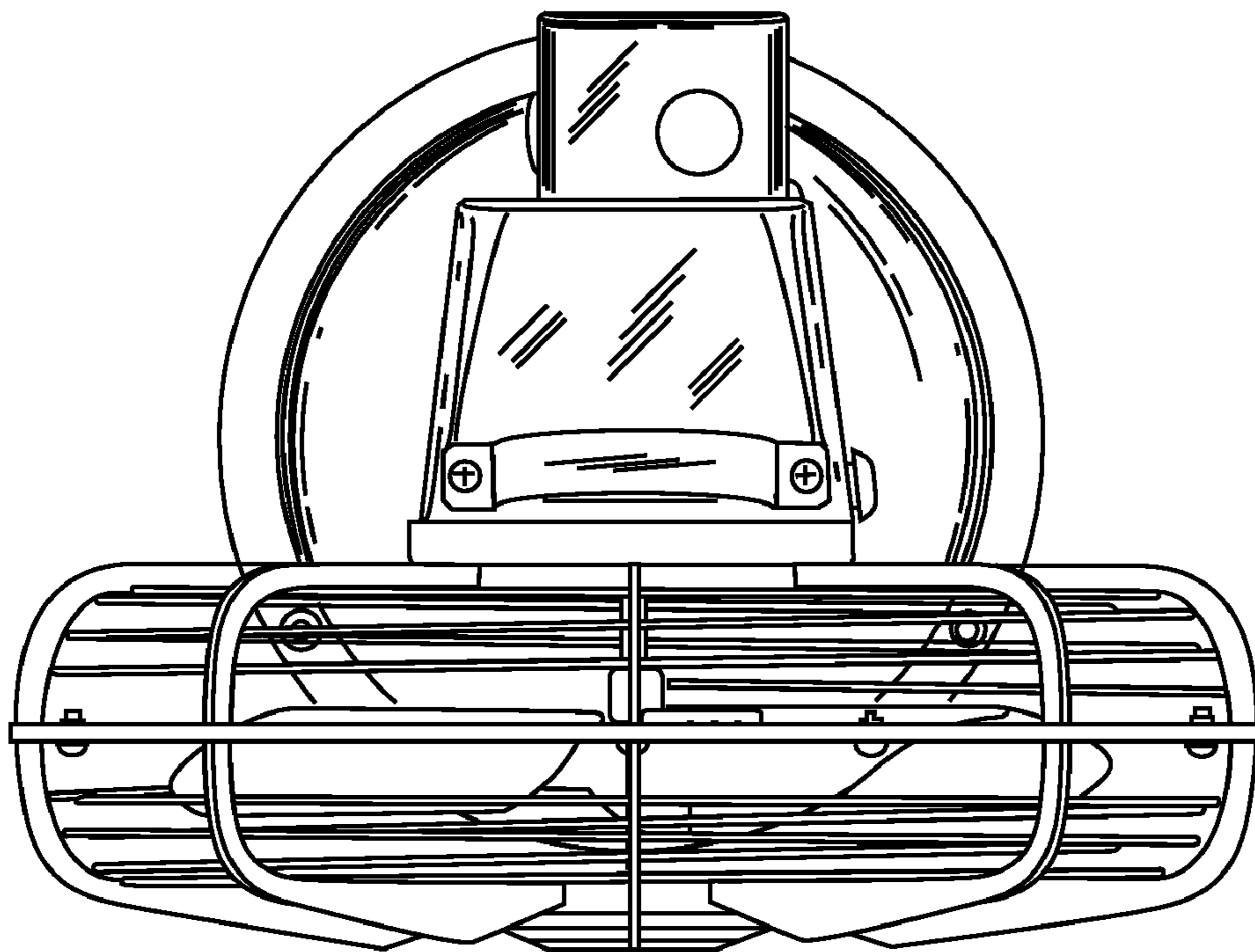


FIG. 6

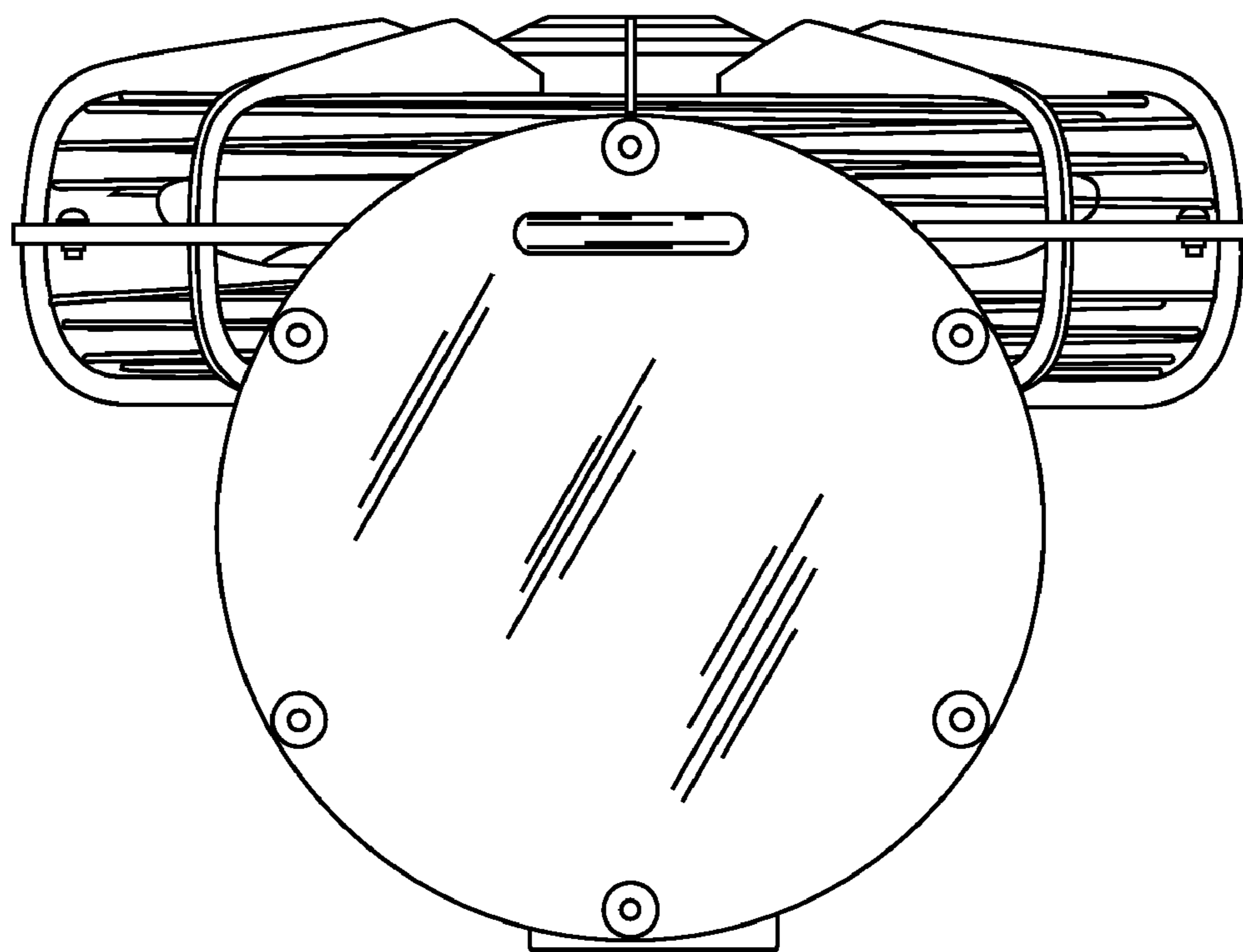


FIG. 7