



US00D562961S

(12) **United States Design Patent** (10) **Patent No.:** **US D562,961 S**
Pickett (45) **Date of Patent:** **** Feb. 26, 2008**

(54) **COMBINED CEILING FAN HOUSING AND LIGHT KIT**

(74) *Attorney, Agent, or Firm*—Parsons & Goltry; Michael W. Goltry; Robert A. Parsons

(76) Inventor: **Mark Pickett**, 1419 E. Palm St., Altadena, CA (US) 91001

(57) **CLAIM**

(**) Term: **14 Years**

The ornamental design for a combined ceiling fan housing and light kit, as shown and described.

(21) Appl. No.: **29/278,517**

DESCRIPTION

(22) Filed: **Mar. 31, 2007**

(51) **LOC (8) Cl.** **23-04**

(52) **U.S. Cl.** **D23/377; D26/59**

(58) **Field of Classification Search** D23/411, D23/377, 379, 385, 413; 416/5; D26/59, D26/71, 81–88; 362/96

FIG. 1 is a bottom perspective view of a combined ceiling fan housing and light kit showing my new design;

FIG. 2 is a top perspective view thereof;

FIG. 3 is front elevational view thereof, the rear elevational view thereof, the left side elevational view thereof, and the right side elevational view being substantially the same thereof;

See application file for complete search history.

FIG. 4 is a top plan view thereof; and,

FIG. 5 is a bottom plan view thereof.

(56) **References Cited**

U.S. PATENT DOCUMENTS

D473,639 S *	4/2003	Gajewski	D23/411
D476,410 S *	6/2003	Young	D23/411
D549,817 S *	8/2007	Gajewski	D23/411

The broken line showing of the connecting structure between the housing and the light kit and the down rod receiving opening are included for the purpose of illustrating environmental structure and forms no part of the claimed design.

* cited by examiner

Primary Examiner—Lisa Lichtenstein

1 Claim, 5 Drawing Sheets

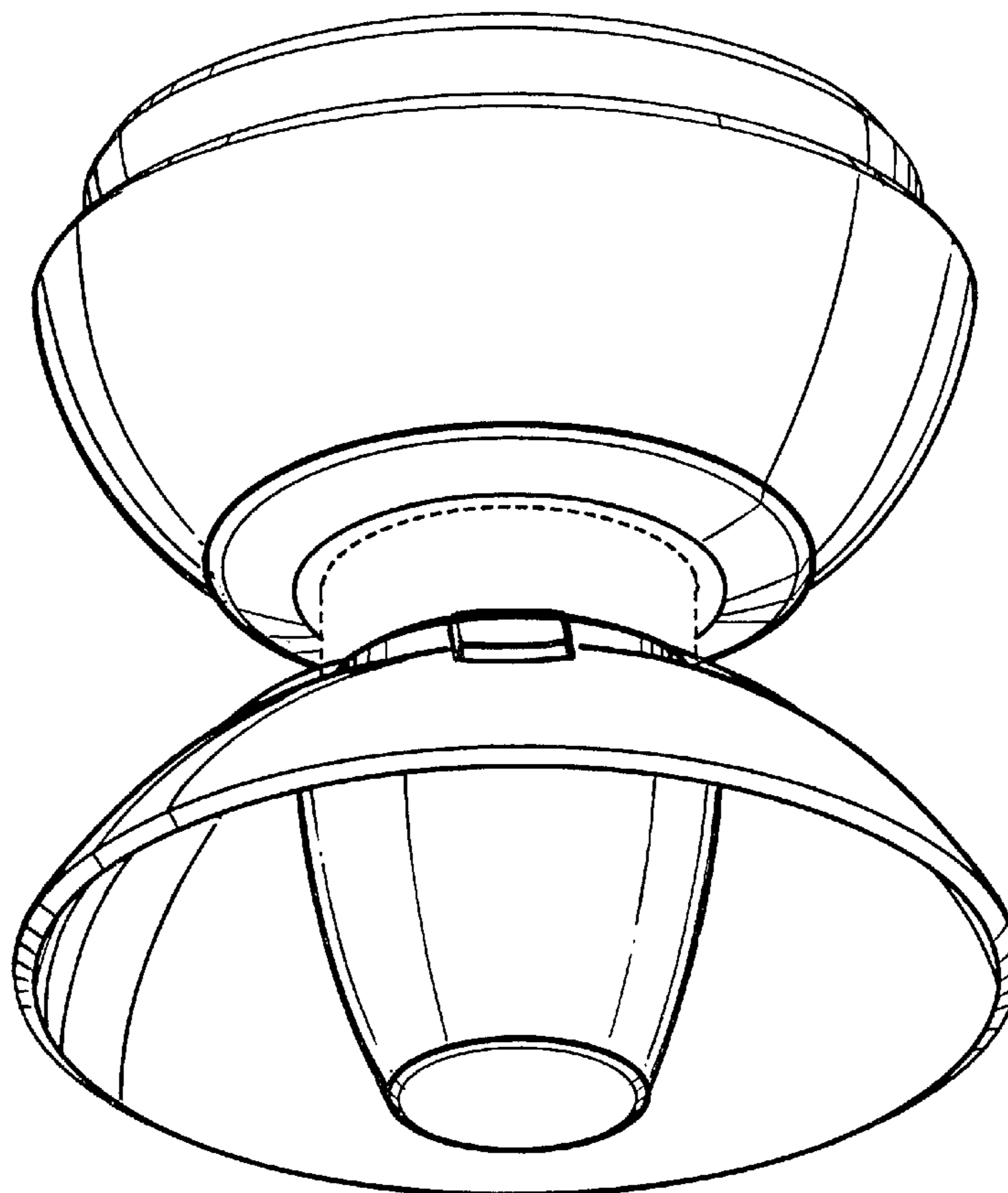
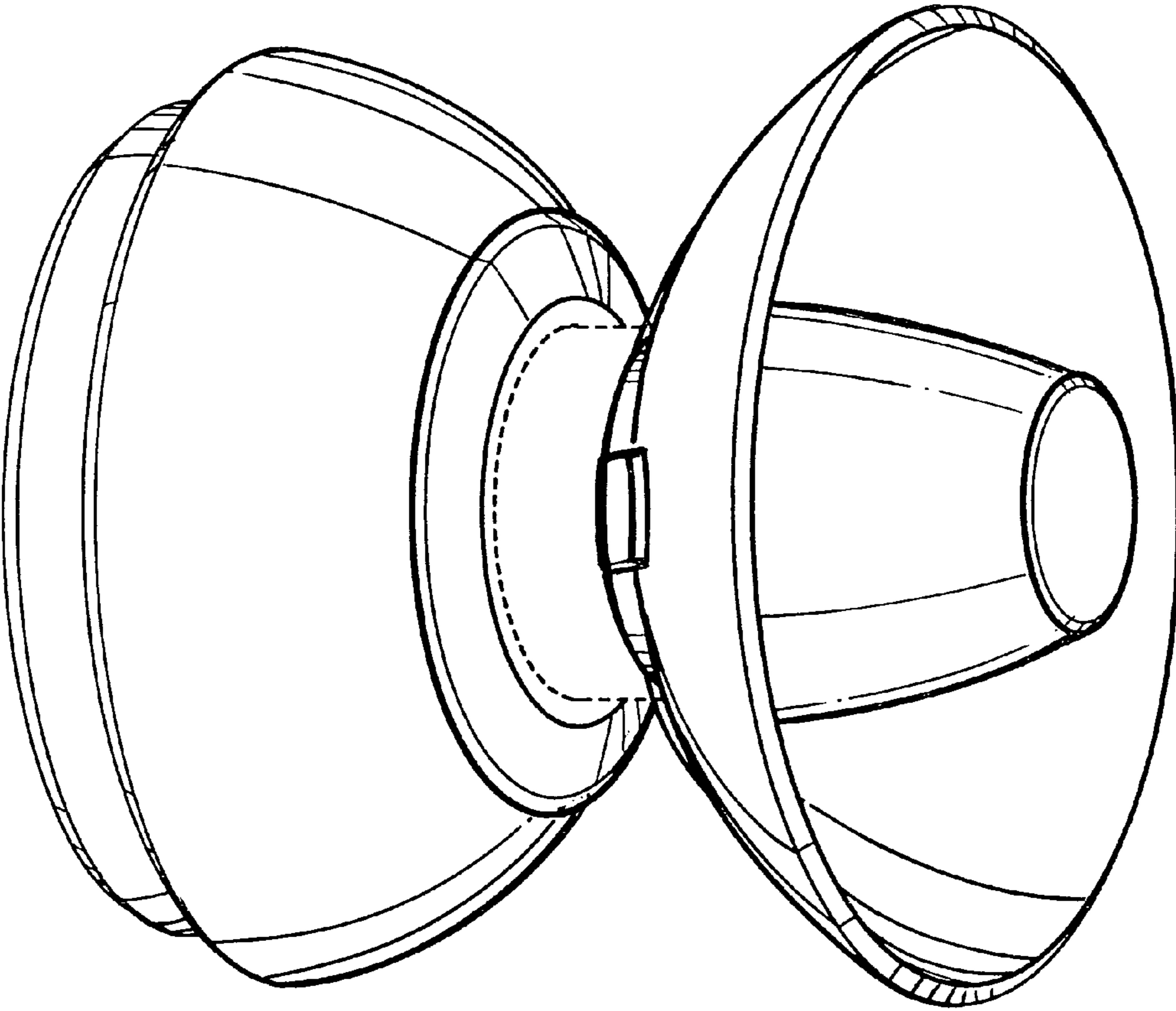


FIG.1



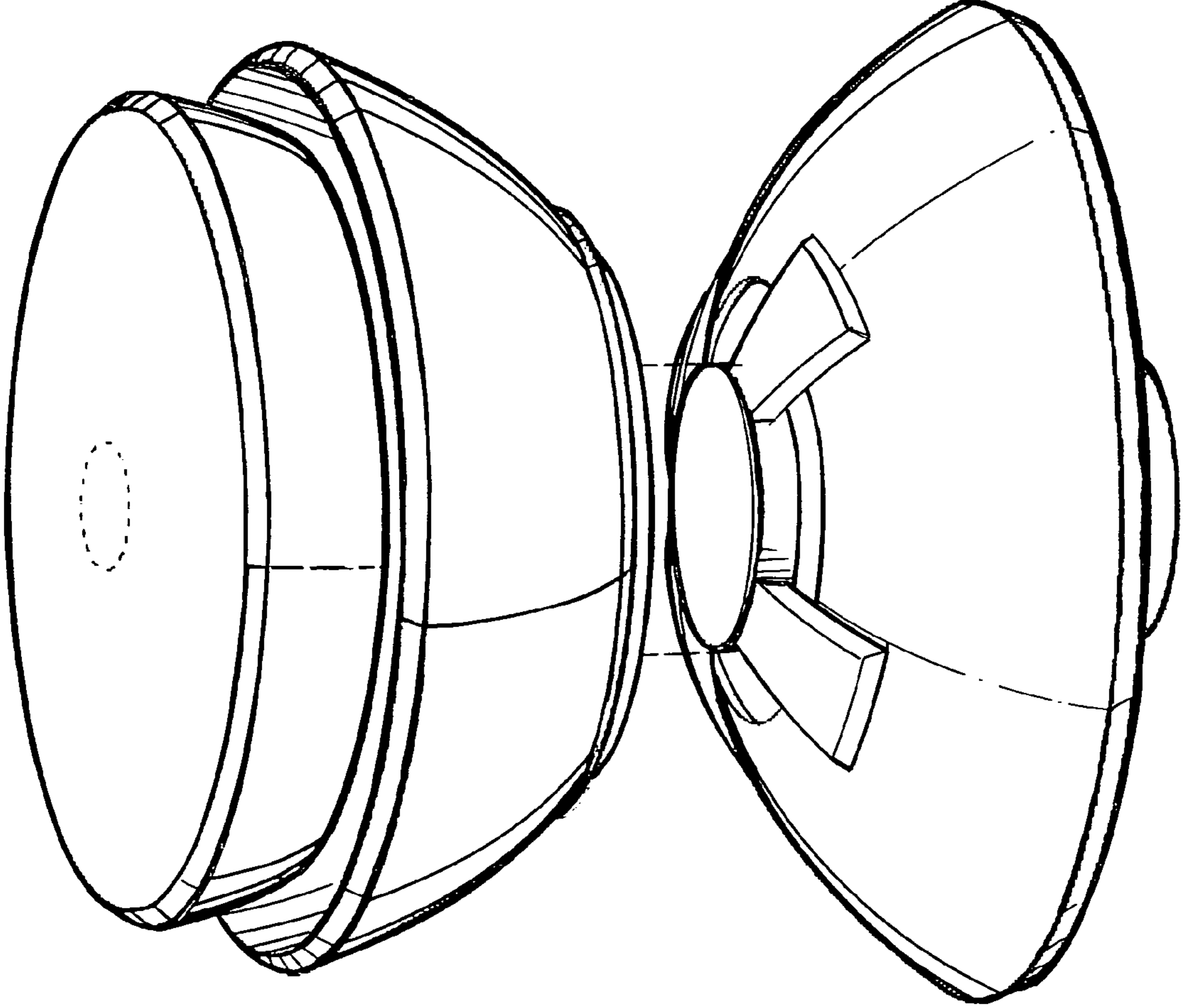
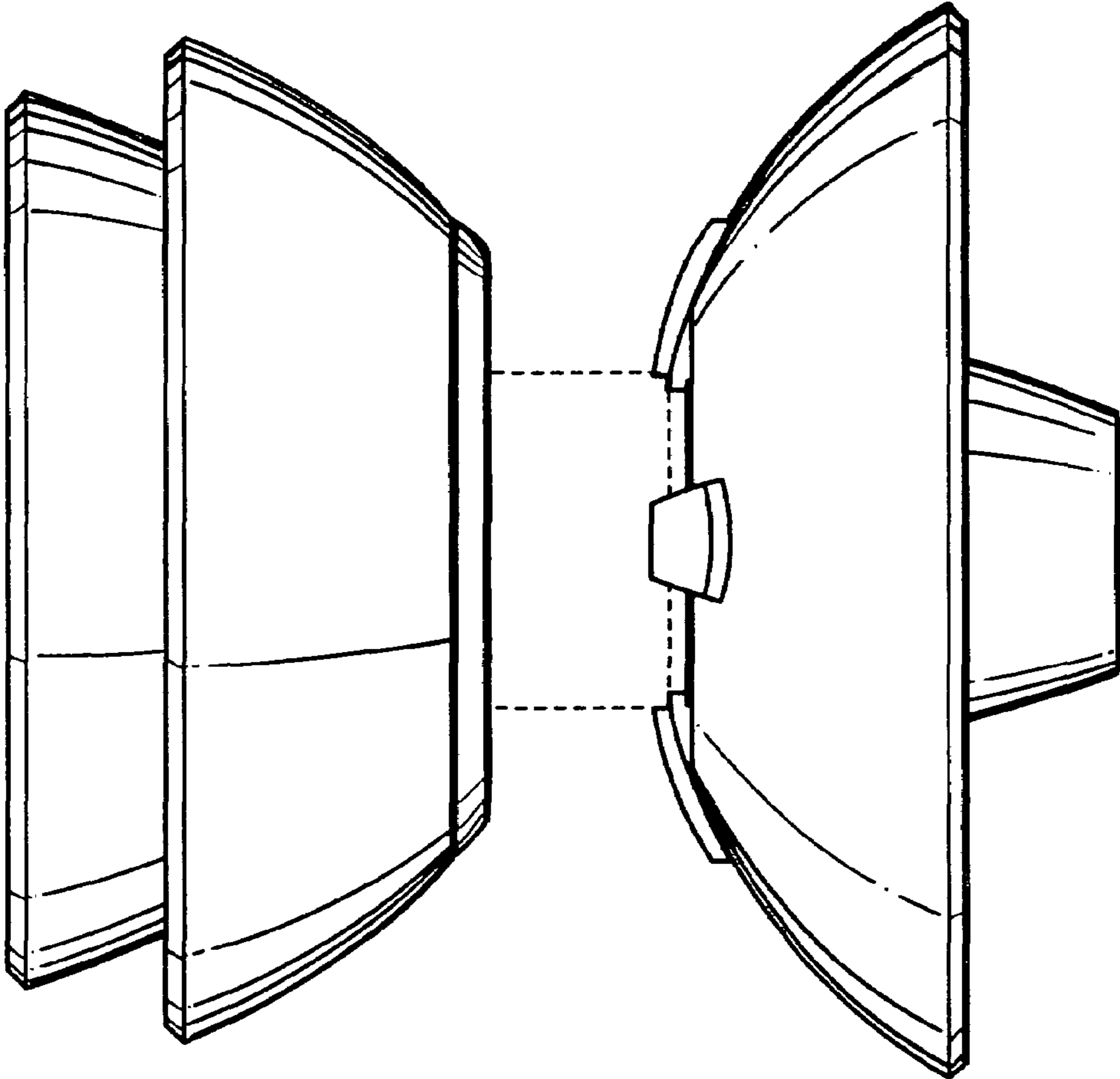


FIG.2

FIG.3



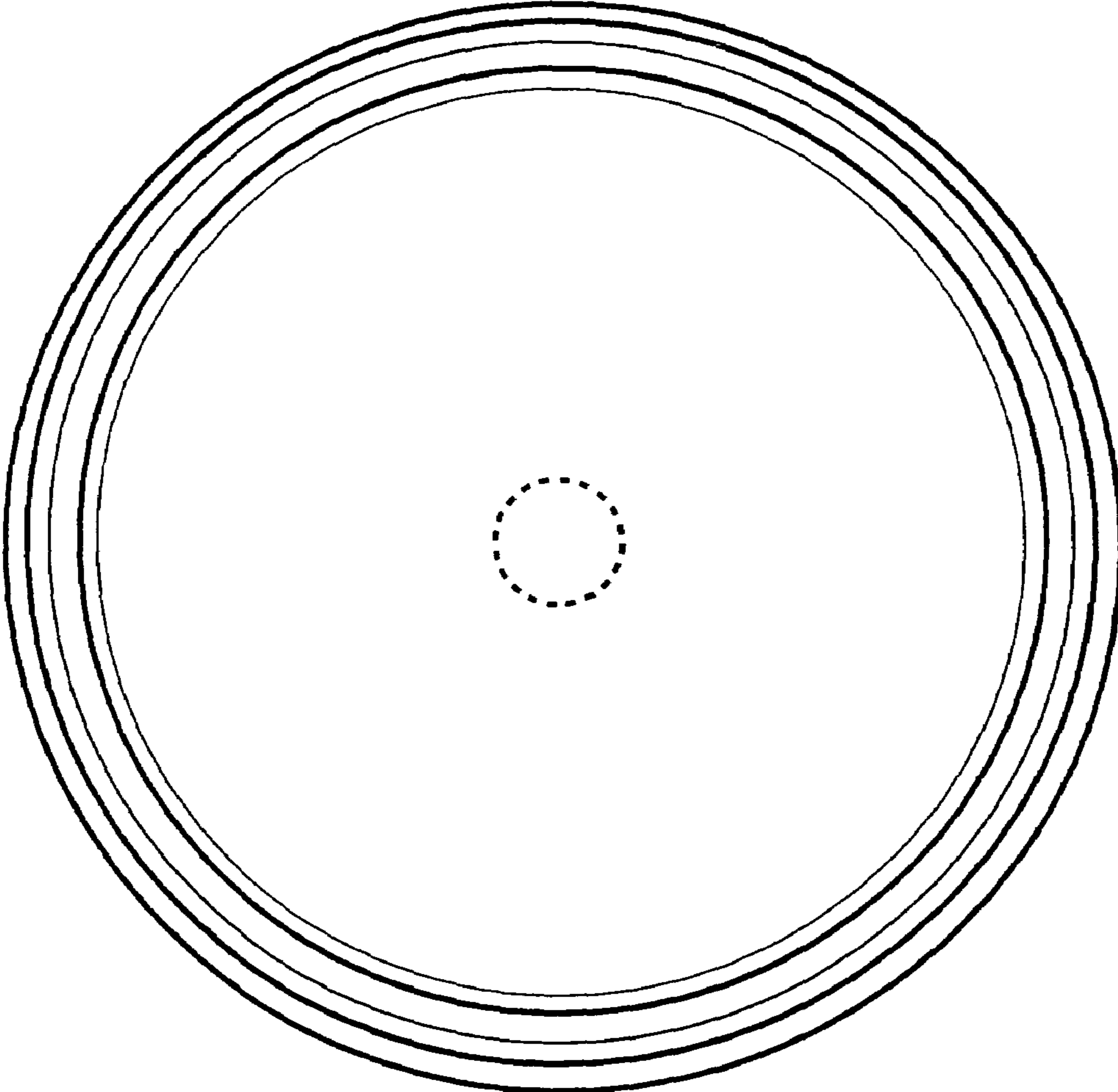


FIG.4

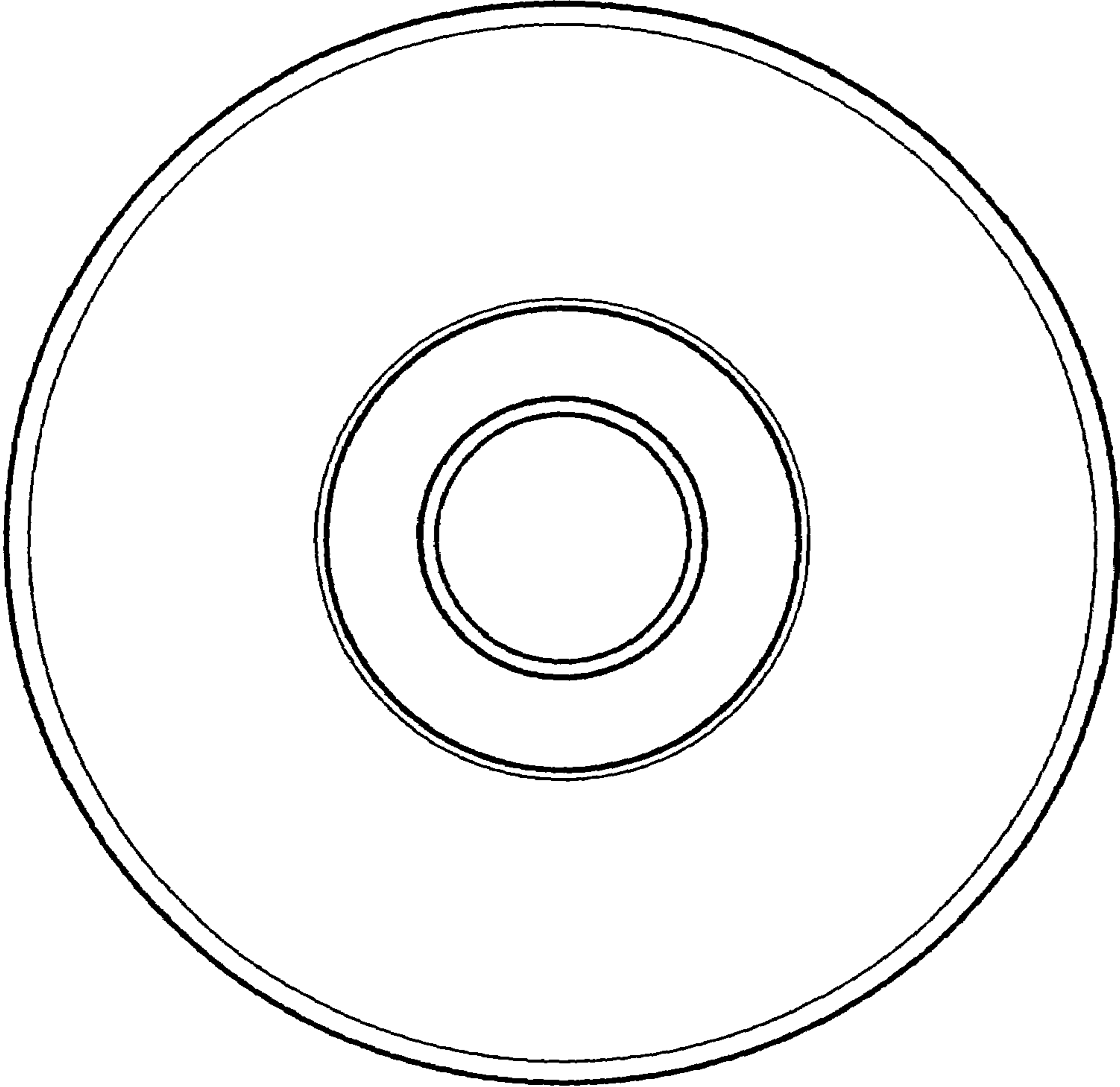


FIG.5