

US00D562958S

(12) **United States Design Patent**
Feriani et al.

(10) **Patent No.:** **US D562,958 S**

(45) **Date of Patent:** **** Feb. 26, 2008**

(54) **MULTIPLE ATOMIZER DIFFUSER**

EP 1129741 A2 9/2001
WO 95/15822 6/1995

(75) Inventors: **Amir Feriani**, Auvernier (CH); **Joseph Hess**, Bevaix (CH)

OTHER PUBLICATIONS

(73) Assignee: **Microflow Engineering SA**, Peseux (CH)

European Search Report issued in corresponding application No. EP 07 00 2190, completed Apr. 3, 2007.

(**) Term: **14 Years**

* cited by examiner

(21) Appl. No.: **29/281,487**

Primary Examiner—Sandra Snapp
(74) *Attorney, Agent, or Firm*—Griffin & Szipl, P.C.

(22) Filed: **Jun. 25, 2007**

(57) **CLAIM**

(30) **Foreign Application Priority Data**

The ornamental design for a multiple atomizer diffuser, as shown and described.

Feb. 1, 2007 (EP) 07002190

(51) **LOC (8) Cl.** **28-99**

DESCRIPTION

(52) **U.S. Cl.** **D23/366**

(58) **Field of Classification Search** 261/DIG. 17, 261/DIG. 42, DIG. 65, DIG. 89, DIG. 88; D23/355-369; D28/5, 6; 392/386, 390, 392/392, 393, 394, 401; 239/34, 35, 37, 239/41, 42, 43, 53-58, 60, 136, 326
See application file for complete search history.

This application is related to another U.S. design application entitled "Multiple Atomizer Table-Top Diffuser" with the same filing date as the present application.

FIG. 1 is a front perspective view of a multiple atomizer diffuser of the present invention.

FIG. 2 is a rear perspective view of the invention.

FIG. 3 is a front view of the invention.

FIG. 4 is a top view of the invention; and,

FIG. 5 is a top perspective view of the invention.

The broken lines shown in the drawings are for illustrative purposes only and form no part of the claimed design.

(56) **References Cited**

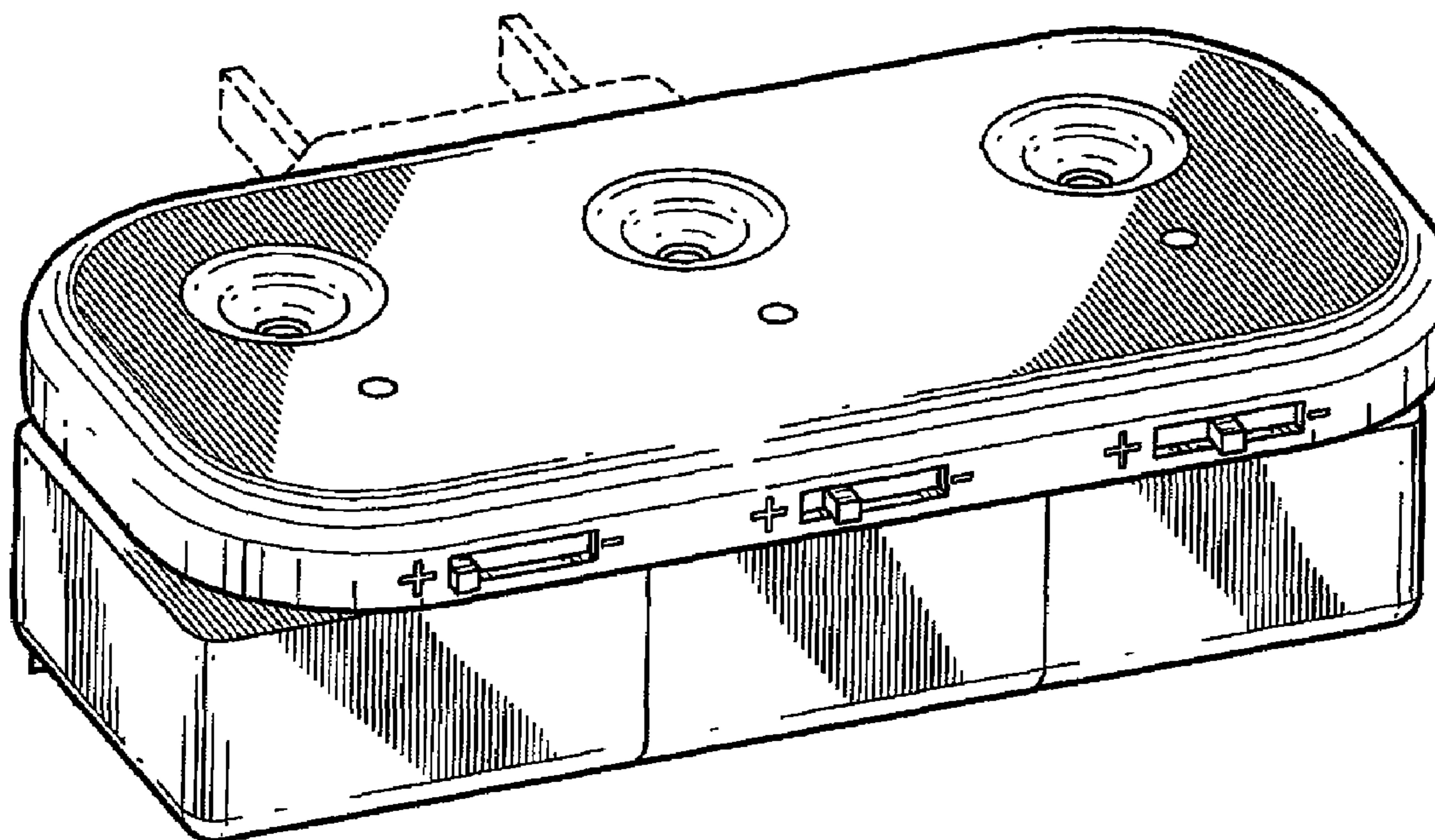
U.S. PATENT DOCUMENTS

2,623,781 A * 12/1952 Hagan 239/56
D415,266 S * 10/1999 Glattstein D23/356

FOREIGN PATENT DOCUMENTS

EP 0516565 A1 12/1992

1 Claim, 3 Drawing Sheets



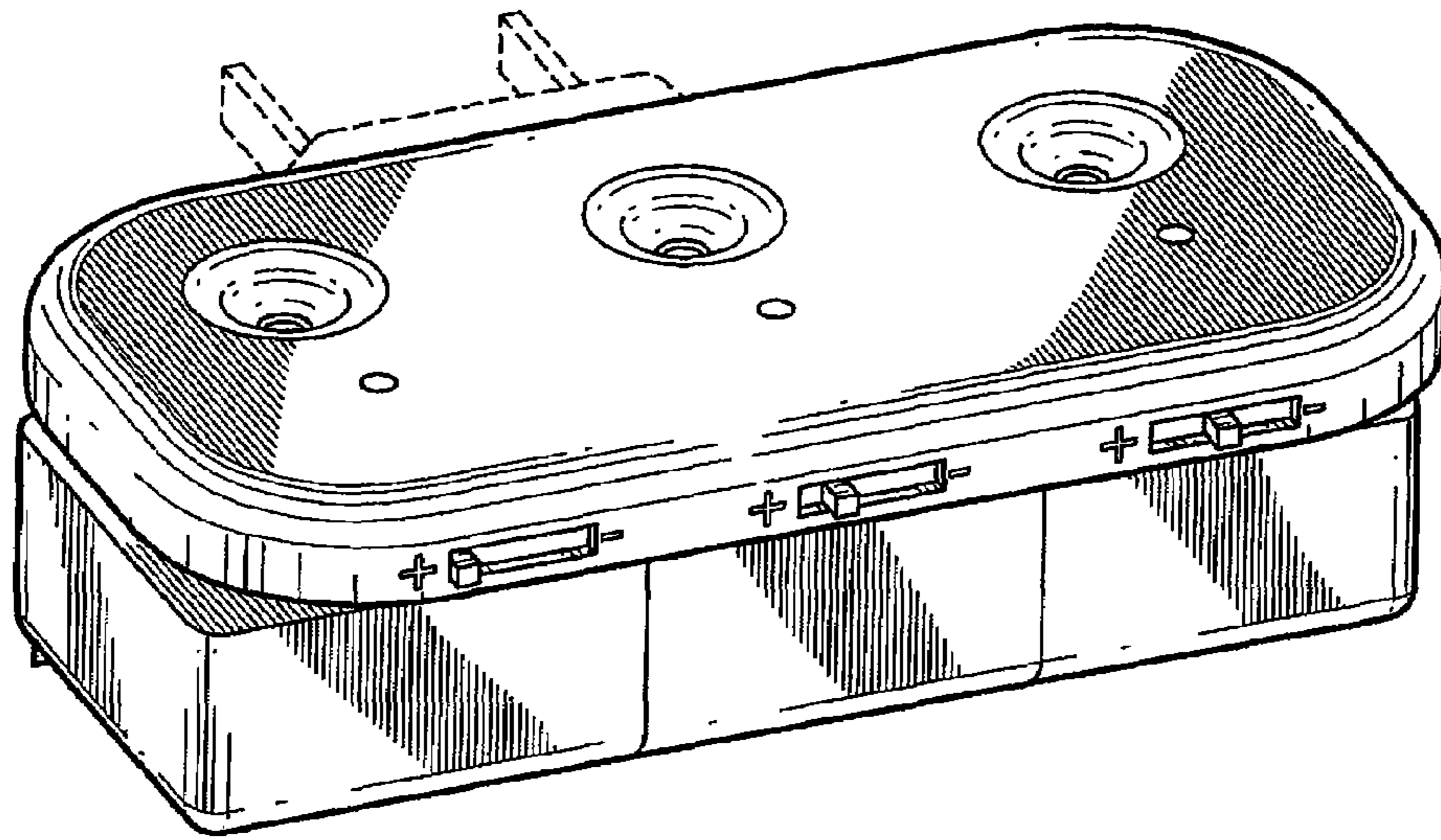


FIG. 1

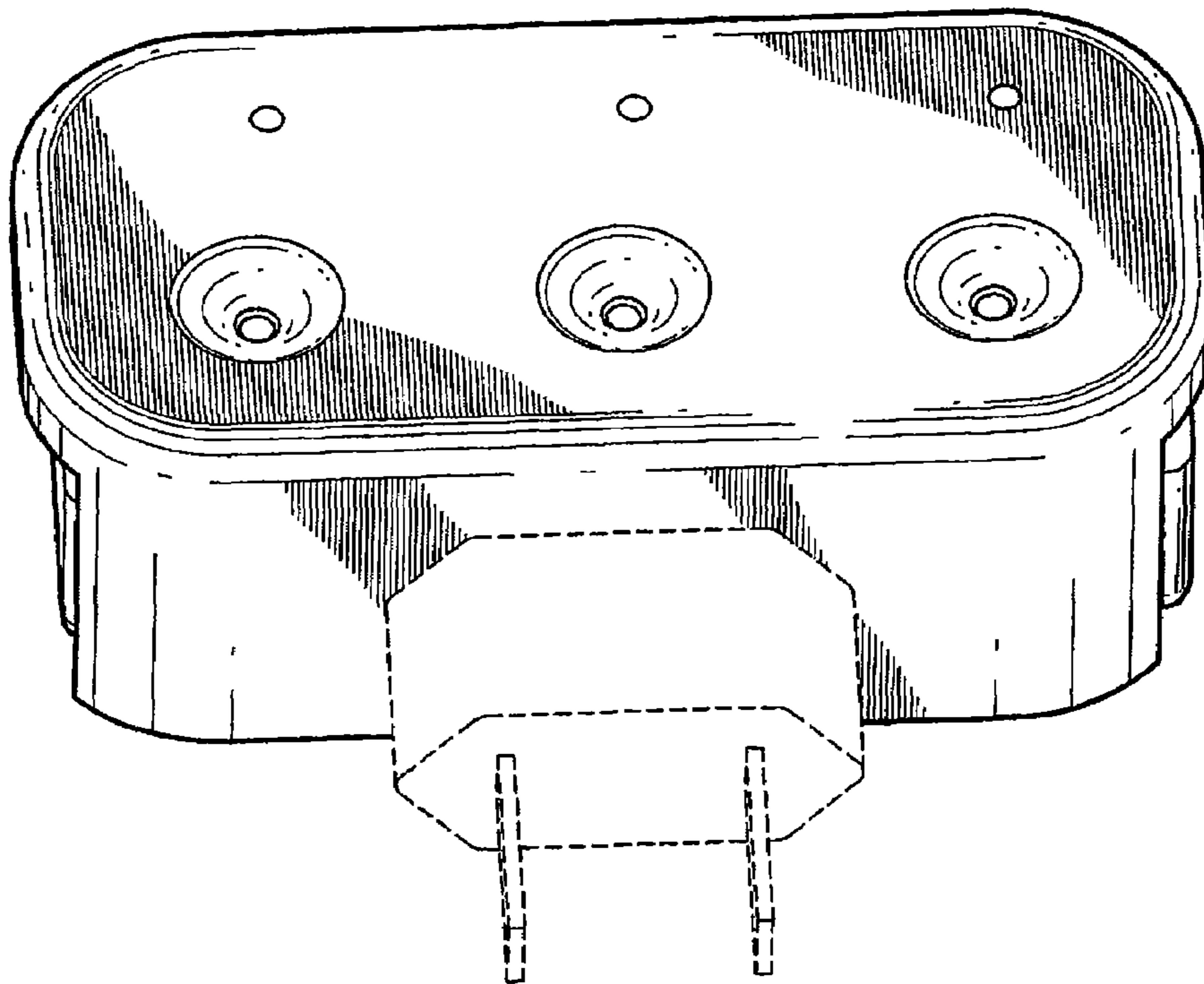


FIG. 2

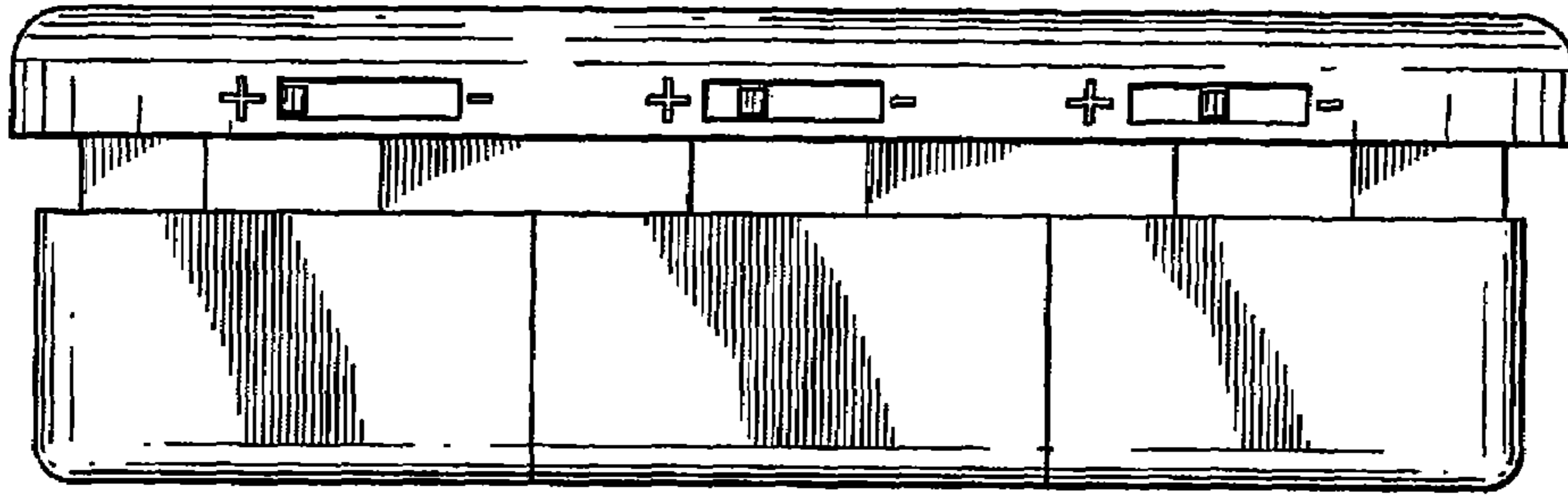


FIG. 3

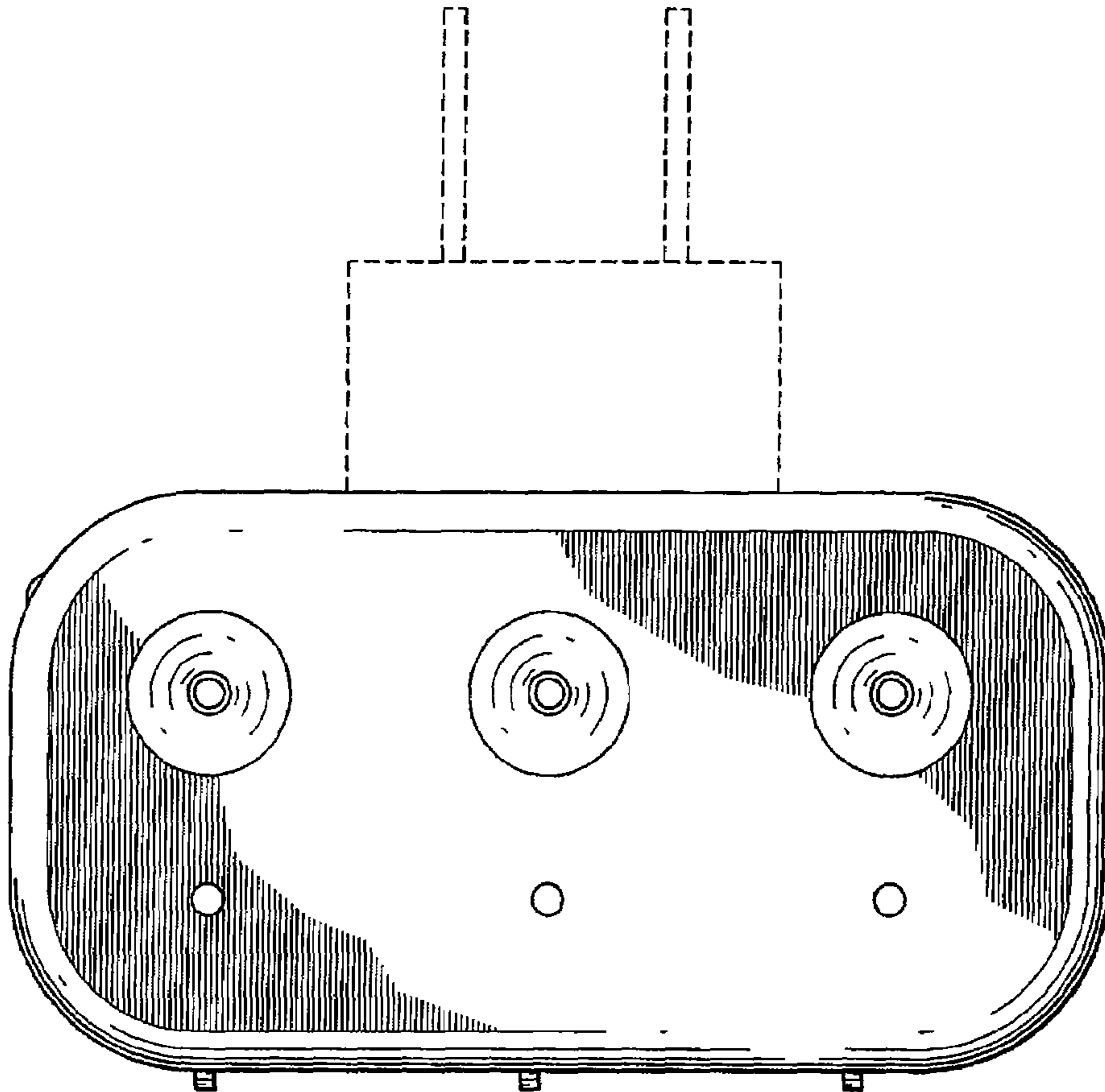


FIG. 4

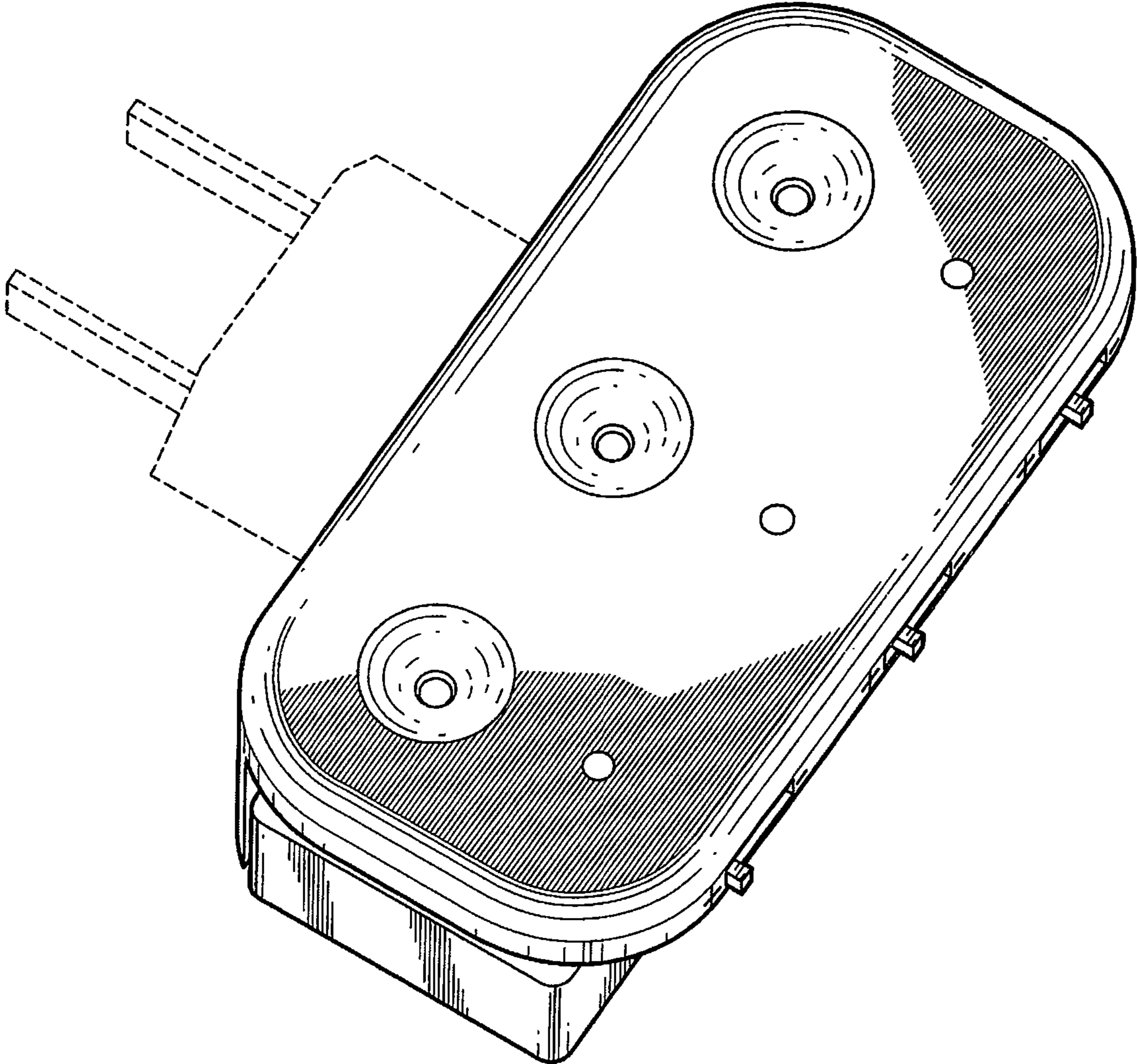


FIG.5