



US00D562957S

(12) **United States Design Patent**
Feriani et al.

(10) **Patent No.:** **US D562,957 S**
(45) **Date of Patent:** **** Feb. 26, 2008**

(54) **MULTIPLE ATOMIZER DIFFUSER**

EP 1129741 A2 9/2001
WO 95/15822 6/1995

(75) Inventors: **Amir Feriani**, Auvemier (CH); **Joseph Hess**, Bevaix (CH)

OTHER PUBLICATIONS

(73) Assignee: **Microflow Engineering SA**, Peseux (CH)

European Search Report issued in corresponding application No. EP 07 00 2190, completed Apr. 3, 2007.

(**) Term: **14 Years**

* cited by examiner

(21) Appl. No.: **29/281,485**

Primary Examiner—Sandra Snapp

(22) Filed: **Jun. 25, 2007**

(74) *Attorney, Agent, or Firm*—Griffin & Szipl, P.C.

(30) **Foreign Application Priority Data**

(57) **CLAIM**

Feb. 1, 2007 (EP) 07002190

The ornamental design for a multiple atomizer diffuser, as shown and described.

(51) **LOC (8) Cl.** **28-99**

DESCRIPTION

(52) **U.S. Cl.** **D23/366**

(58) **Field of Classification Search** 261/DIG. 17, 261/DIG. 42, DIG. 65, DIG. 88, DIG. 89; D23/355-369; D28/5, 6; 392/386, 390, 392/392, 393, 394, 401; 239/34, 35, 37, 239/41, 42, 43, 53-58, 60, 136, 326
See application file for complete search history.

This application is related to another U.S. Design application Ser. No. 29/281,487 entitled "Multiple Atomizer Plug-In Diffuser" with the same filing date as the present application.

FIG. 1 is a front perspective view of a first embodiment of a diffuser of the present invention.

FIG. 2 is a bottom perspective view of a top piece of a first embodiment of the present invention.

FIG. 3. is a front perspective view of a second embodiment of a diffuser of the present invention; and,

FIG. 4 is a rear perspective view of a second embodiment of a diffuser of the present invention.

(56) **References Cited**

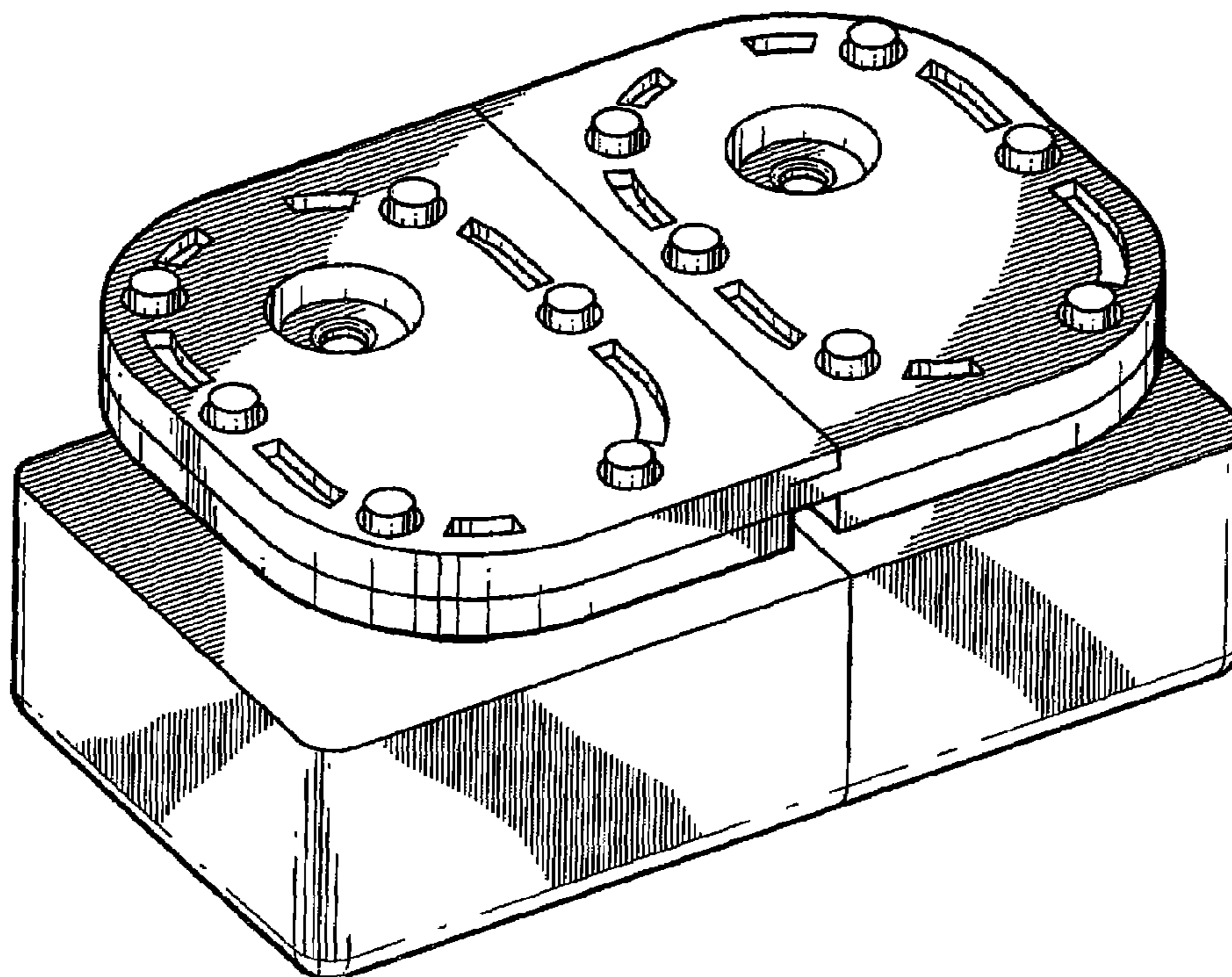
U.S. PATENT DOCUMENTS

2,623,781 A * 12/1952 Hagan 239/56
D415,266 S * 10/1999 Glattstein D23/356

FOREIGN PATENT DOCUMENTS

EP 0516565 A1 12/1992

1 Claim, 3 Drawing Sheets



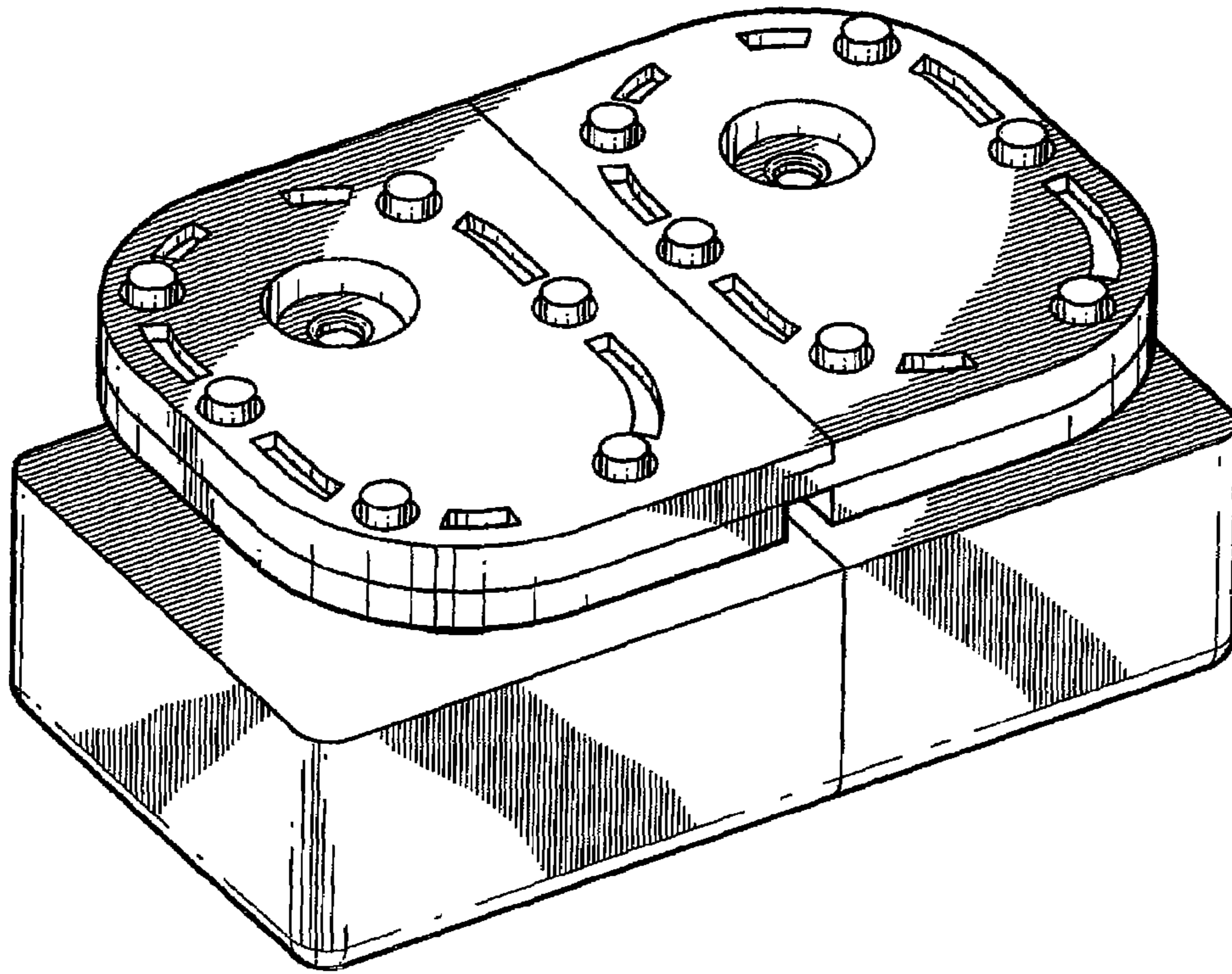


FIG. 1

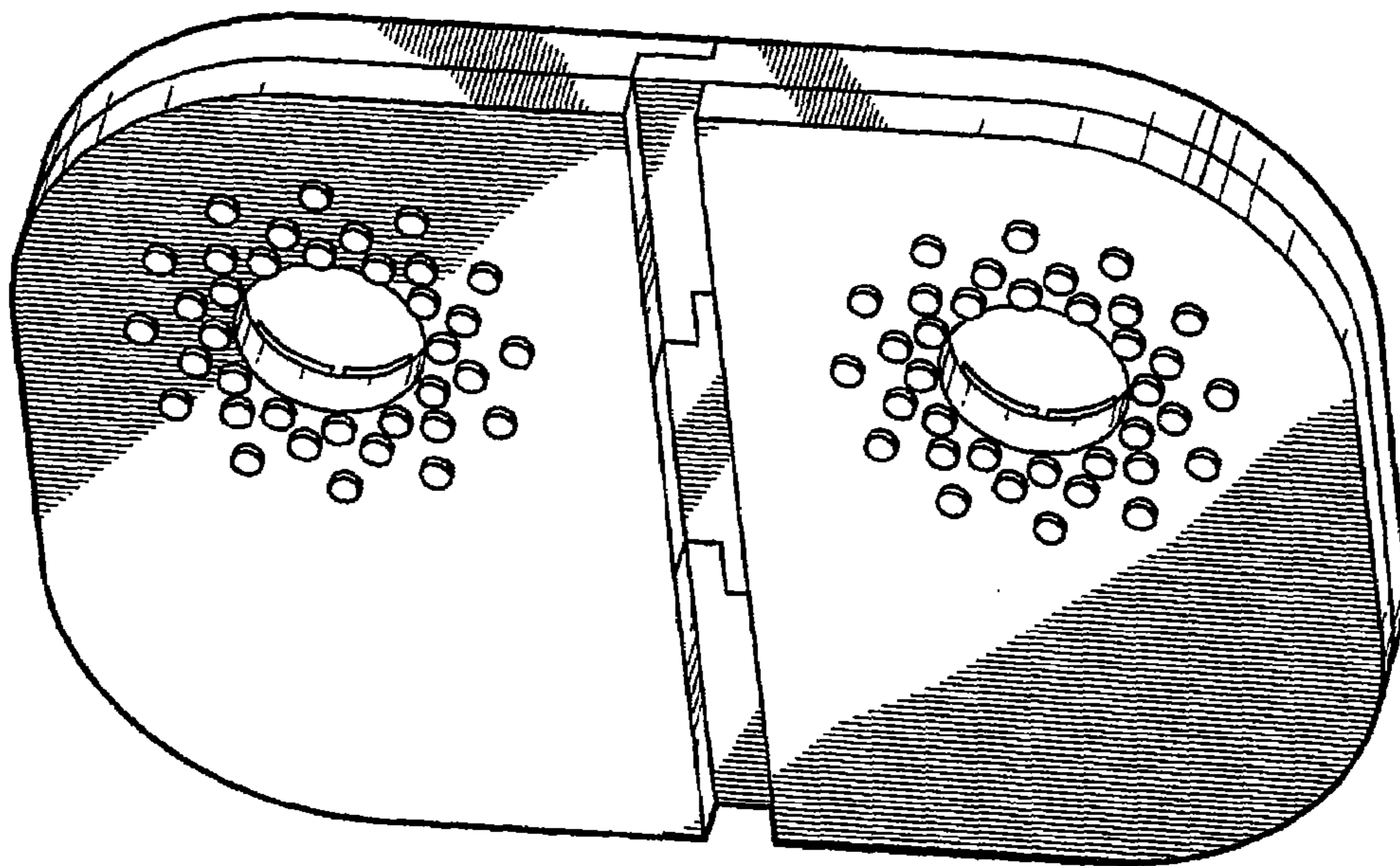


FIG. 2

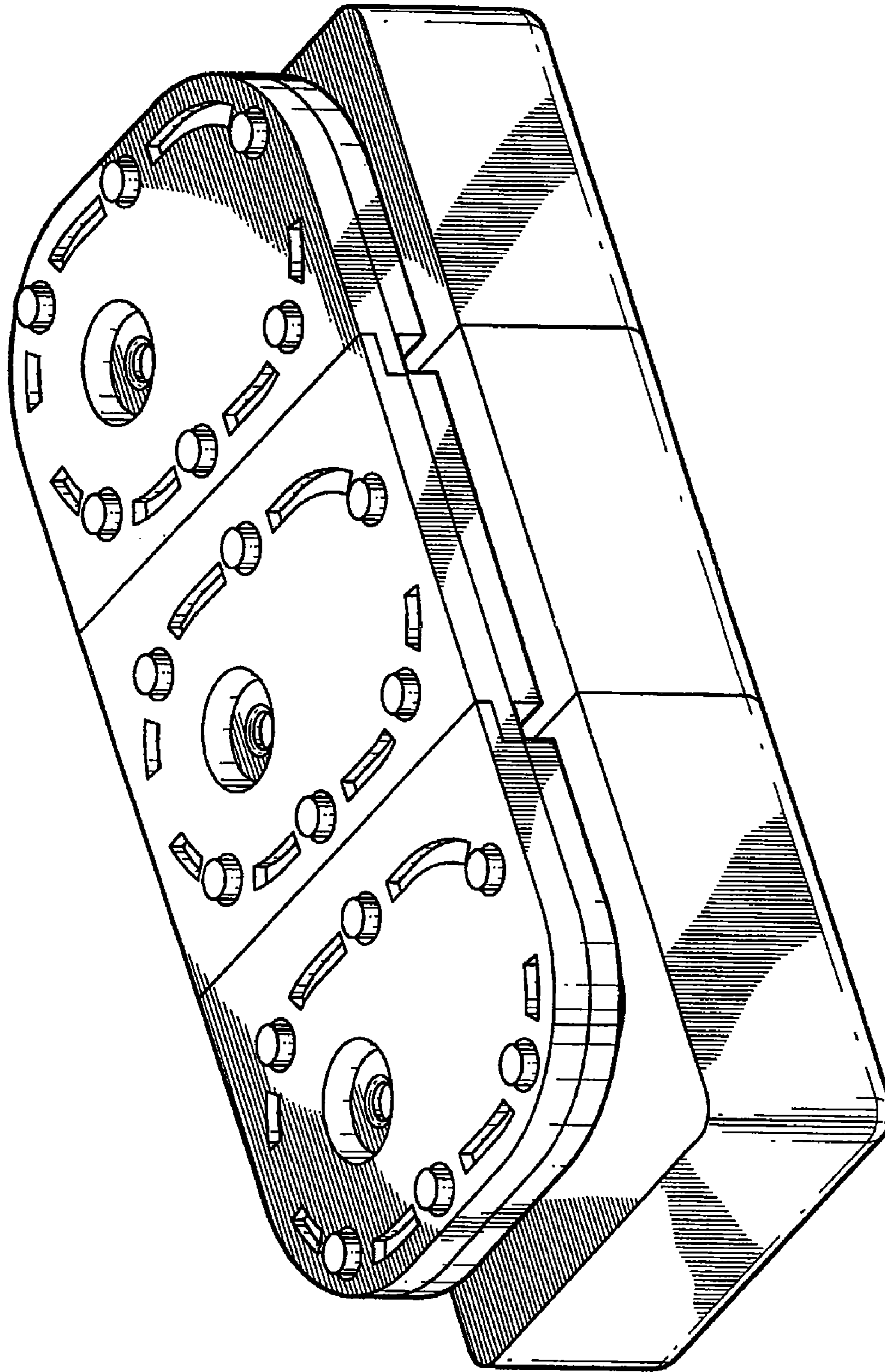


FIG. 3

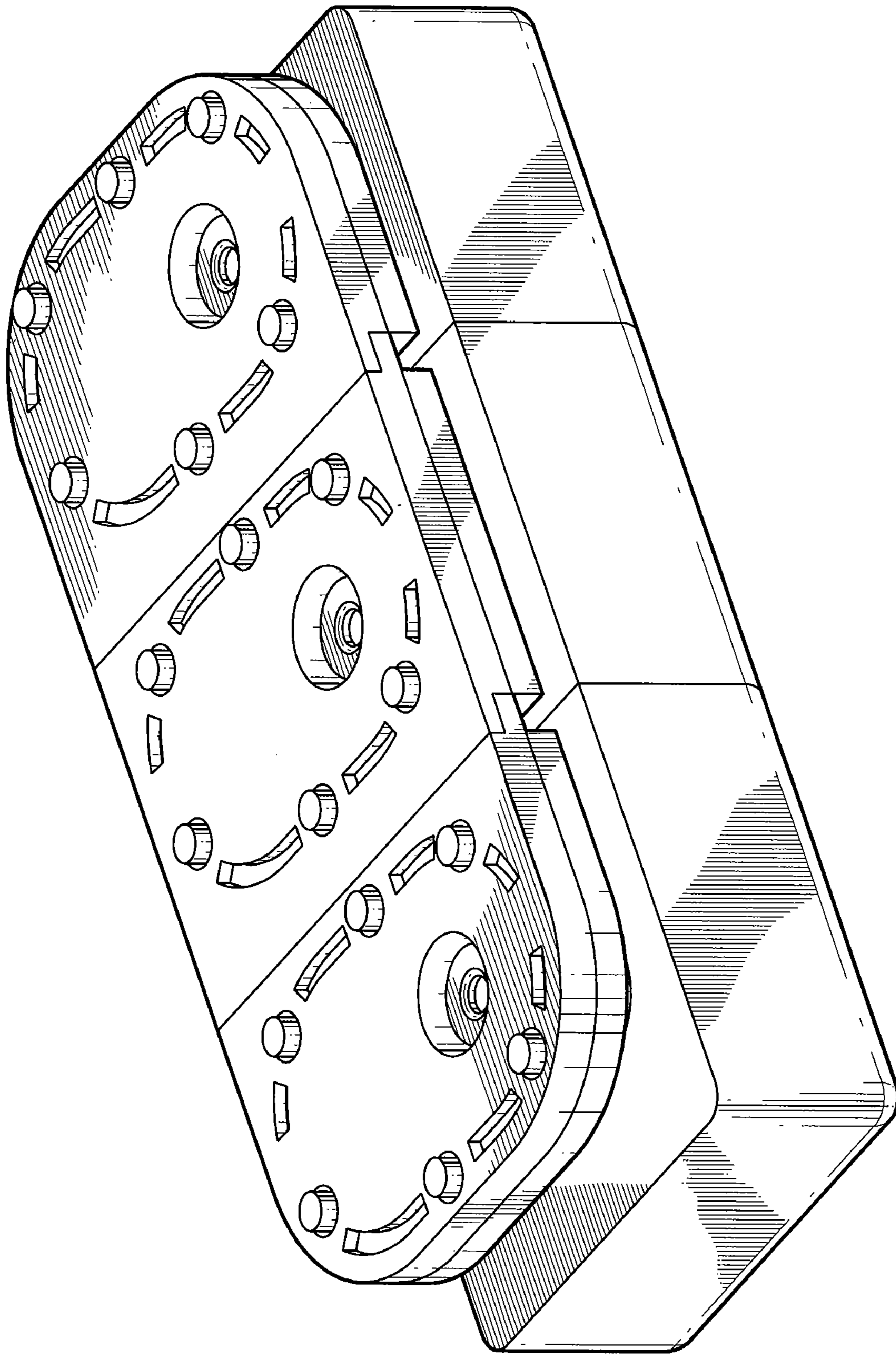


FIG.4