

US00D562954S

(12) **United States Design Patent**  
**Brenneke et al.**

(10) **Patent No.:** **US D562,954 S**  
(45) **Date of Patent:** **\*\* Feb. 26, 2008**

(54) **RT TOWER**

(75) Inventors: **Glenn S. Brenneke**, Lee's Summit, MO (US); **Hobart Cox**, Greenwood, MO (US); **Michael P. Cushing, Jr.**, Kansas City, MO (US)

(73) Assignee: **SPX Cooling Technologies, Inc.**, Overland Park, KS (US)

(\*\*) Term: **14 Years**

(21) Appl. No.: **29/271,686**

(22) Filed: **Jan. 25, 2007**

(51) **LOC (8) Cl.** ..... **23-01**

(52) **U.S. Cl.** ..... **D23/351**

(58) **Field of Classification Search** ..... **D23/351;**  
**165/900; 261/108-111**

See application file for complete search history.

(56) **References Cited**

**U.S. PATENT DOCUMENTS**

D465,838 S \* 11/2002 Kauffmann et al. .... D23/351

\* cited by examiner

*Primary Examiner*—Brian N Vinson

(74) *Attorney, Agent, or Firm*—Baker & Hostetler LLP

(57) **CLAIM**

The ornamental design for an RT tower, as shown and described.

**DESCRIPTION**

FIG. 1 is a perspective view of an RT tower showing our new design in an operating position;

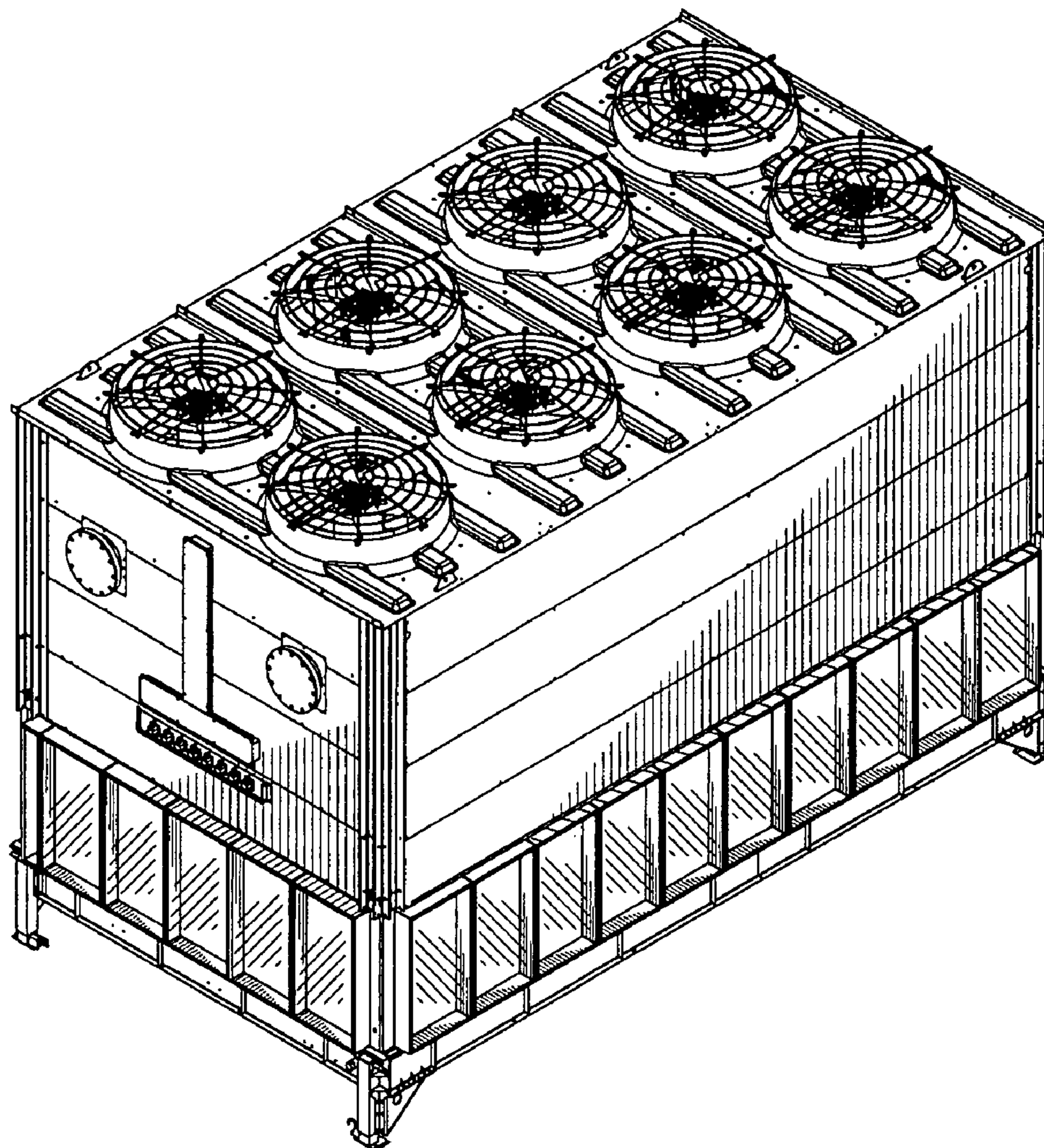
FIG. 2 is a side elevational view thereof;

FIG. 3 is an additional elevational side view thereof in a shipping position;

FIG. 4 is an end elevational view of thereof; and,

FIG. 5 is an additional end elevational view thereof in a shipping position.

**1 Claim, 3 Drawing Sheets**



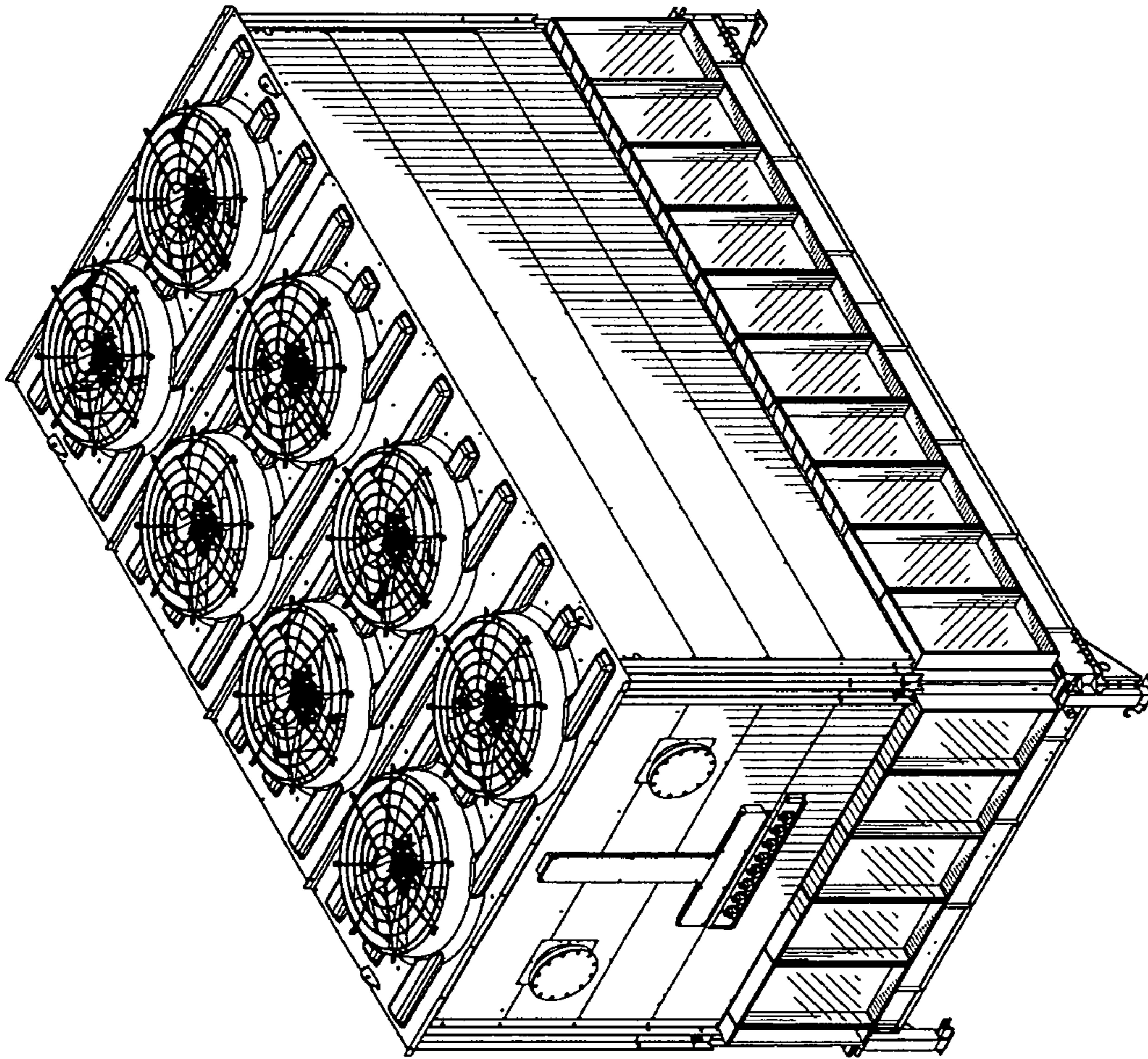


FIG. 1

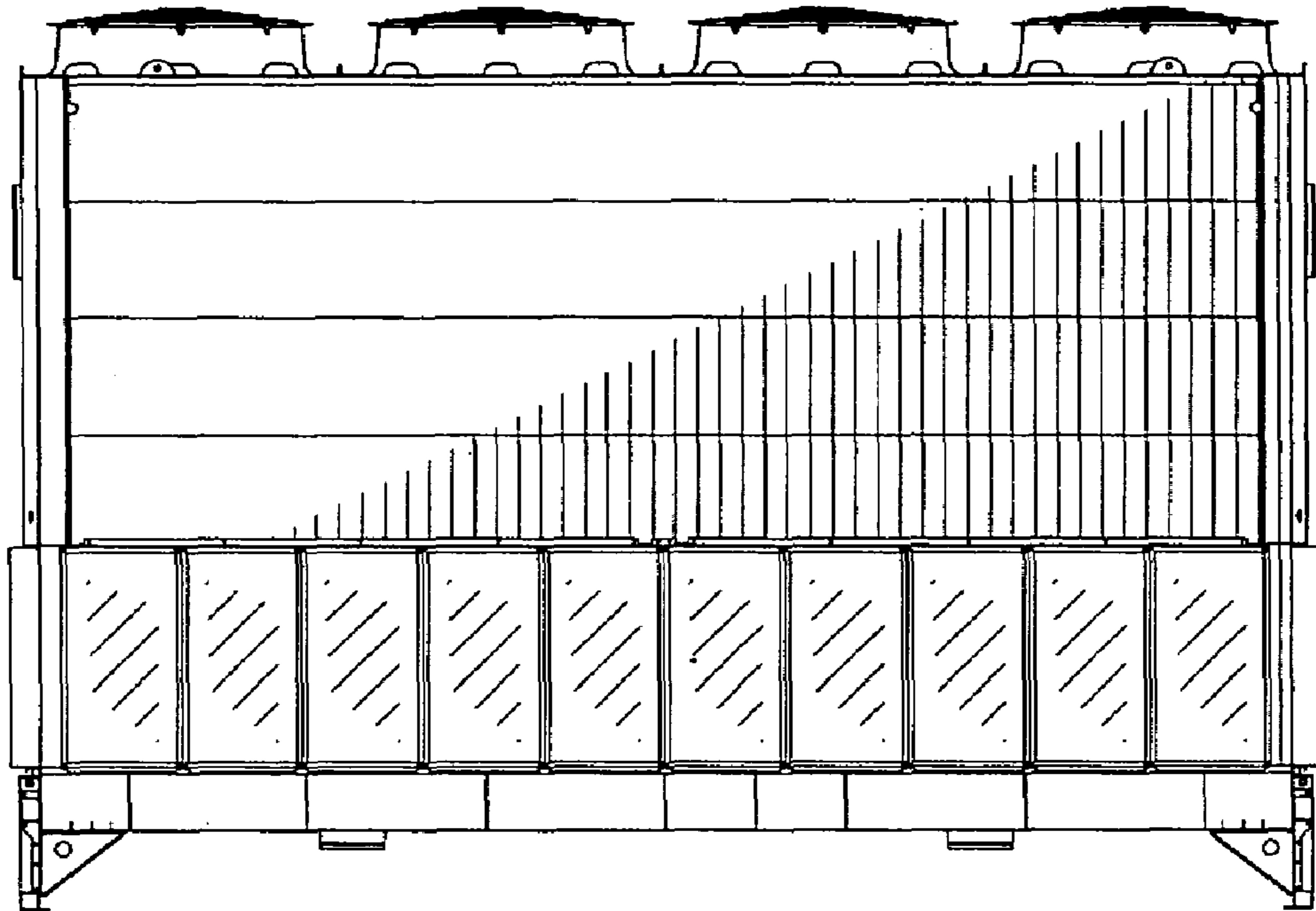


FIG. 2

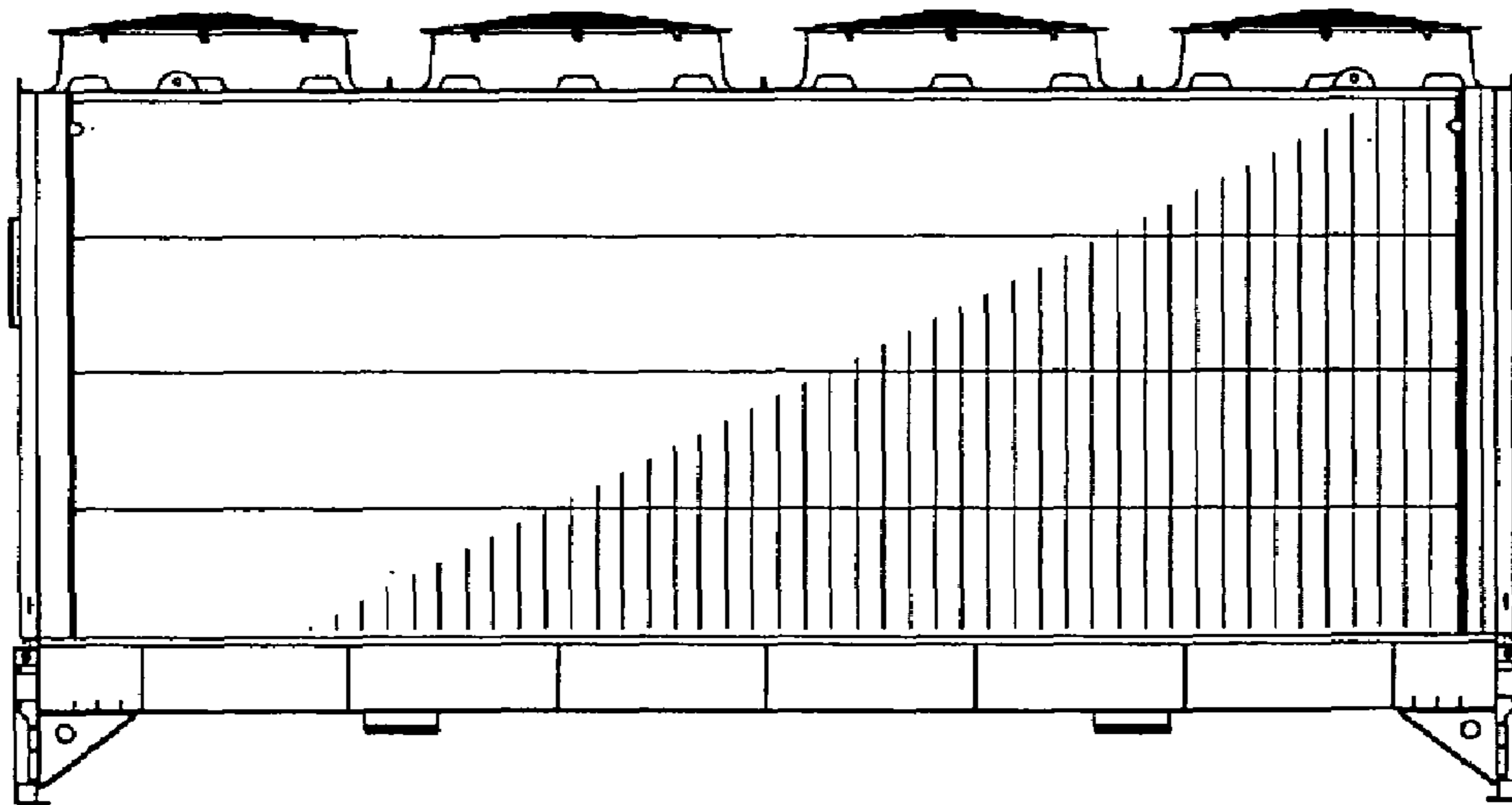


FIG. 3

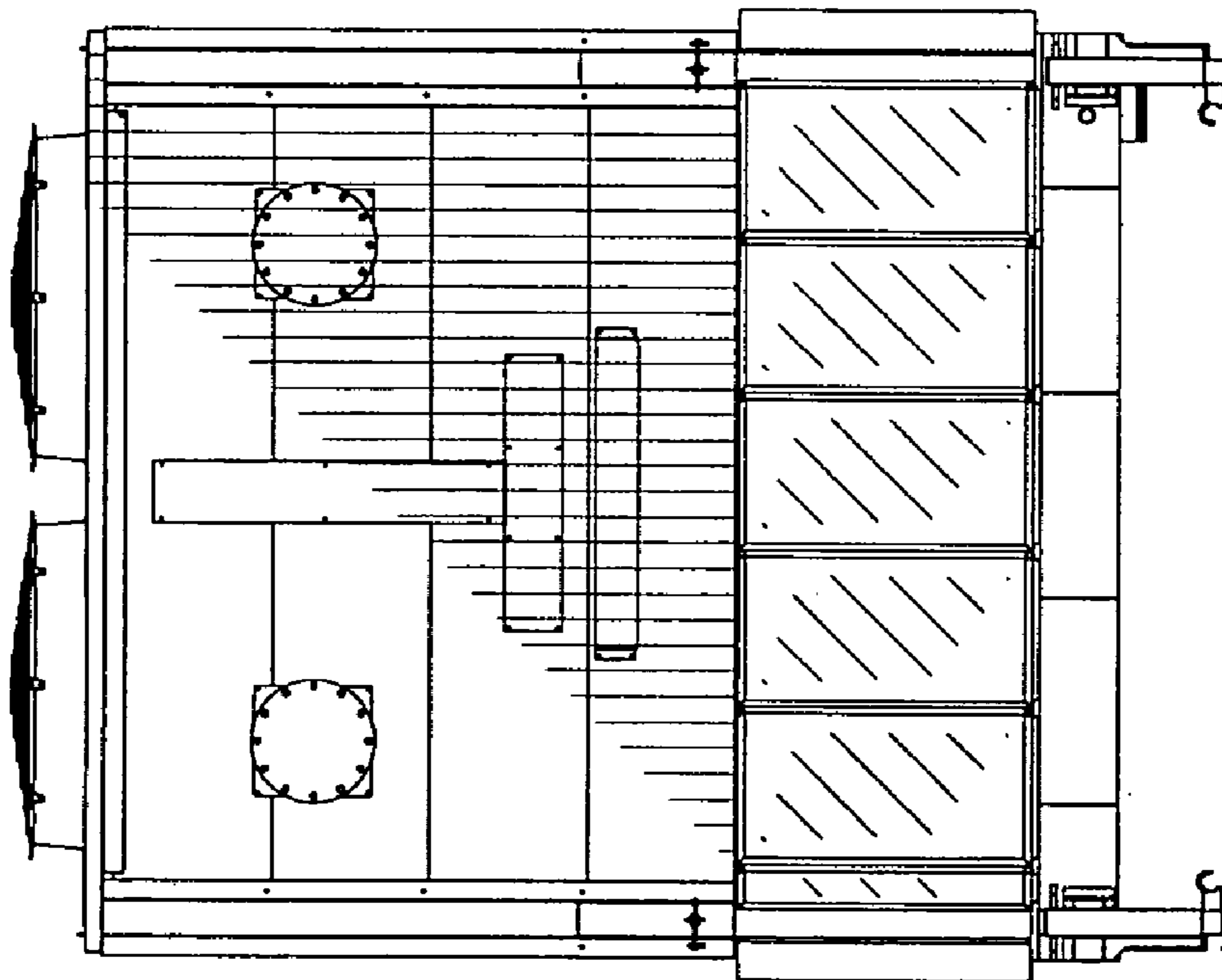


FIG. 4

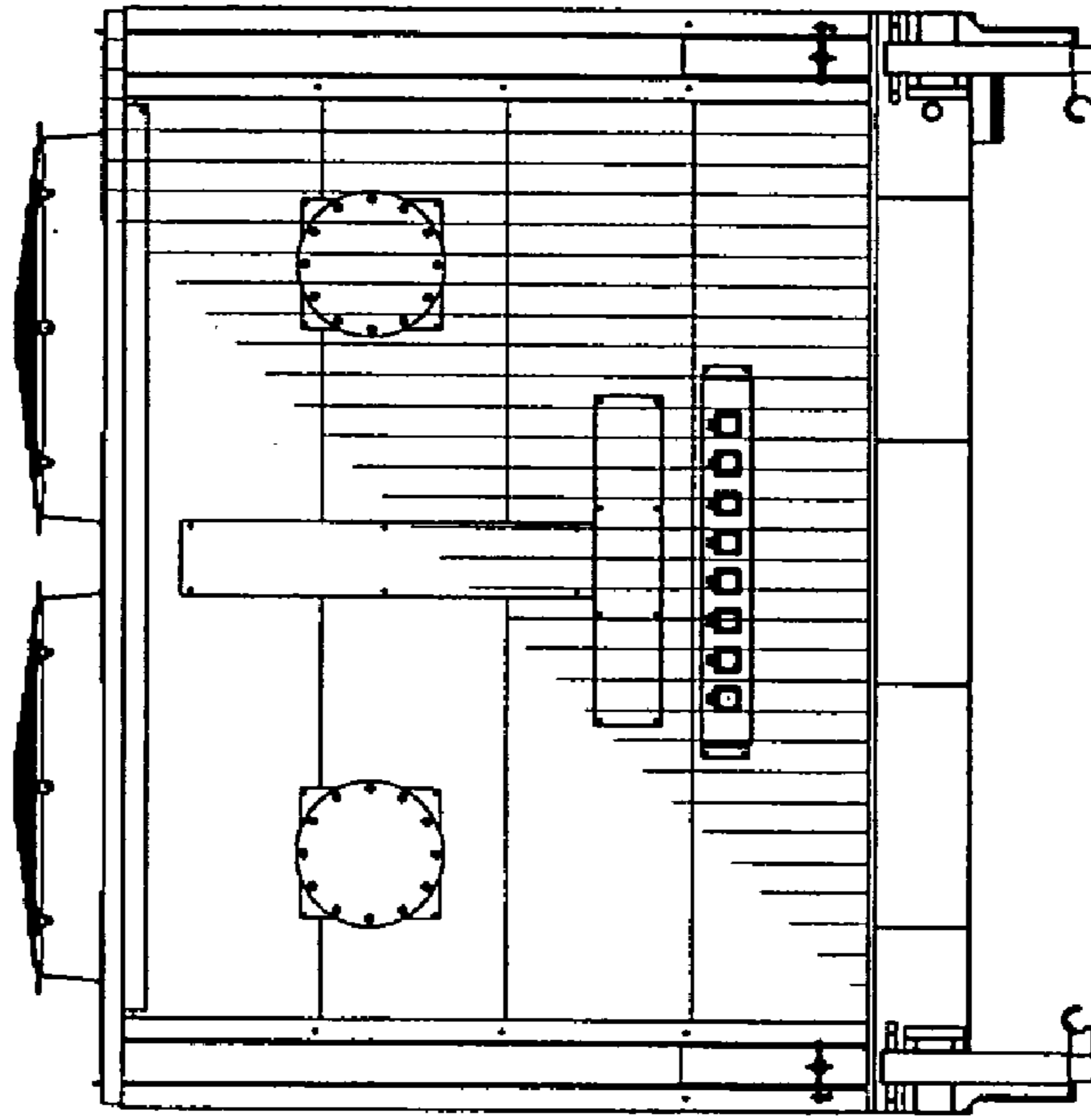


FIG. 5