



US00D562947S

(12) **United States Design Patent**  
**Zhang**

(10) **Patent No.:** **US D562,947 S**

(45) **Date of Patent:** **\*\* Feb. 26, 2008**

(54) **FAUCET**

(75) Inventor: **Yuting Zhang**, Fu Yong Township (CN)

(73) Assignee: **Globe Union Industrial Corp.**,  
Taichung (TW)

(\*\*) Term: **14 Years**

(21) Appl. No.: **29/281,917**

(22) Filed: **Jul. 6, 2007**

(51) **LOC (8) Cl.** ..... **23-01**

(52) **U.S. Cl.** ..... **D23/243; D23/238**

(58) **Field of Classification Search** ..... D23/238-250,  
D23/252-255; 4/671-678; 137/801, 615  
See application file for complete search history.

(56) **References Cited**

**U.S. PATENT DOCUMENTS**

D424,172 S *	5/2000	Haug et al. ....	D23/238
D464,711 S *	10/2002	Warshawsky .....	D23/243
D475,437 S *	6/2003	Dimitriadis et al. ....	D23/242
D477,858 S *	7/2003	Friedrich .....	D23/238
D492,388 S *	6/2004	Herbeau .....	D23/238
D492,393 S *	6/2004	Herring et al. ....	D23/243
D497,197 S *	10/2004	Warshawsky .....	D23/243
D508,552 S *	8/2005	Warshawsky .....	D23/241

D525,344 S *	7/2006	Schaffeld et al. ....	D23/238
7,150,415 B2 *	12/2006	Weaver et al. ....	137/801
D534,620 S *	1/2007	Zhou .....	D23/238
D534,992 S *	1/2007	Lobermeier et al. ....	D23/243
D540,435 S *	4/2007	Wilcox et al. ....	D23/243

\* cited by examiner

*Primary Examiner*—Ian Simmons

*Assistant Examiner*—David G Muller

(74) *Attorney, Agent, or Firm*—Leong C. Lei

(57) **CLAIM**

The ornamental design for a faucet, as shown and described.

**DESCRIPTION**

FIG. 1 is a perspective view of a faucet showing my new design;

FIG. 2 is a front elevational view thereof;

FIG. 3 is a rear elevational view thereof;

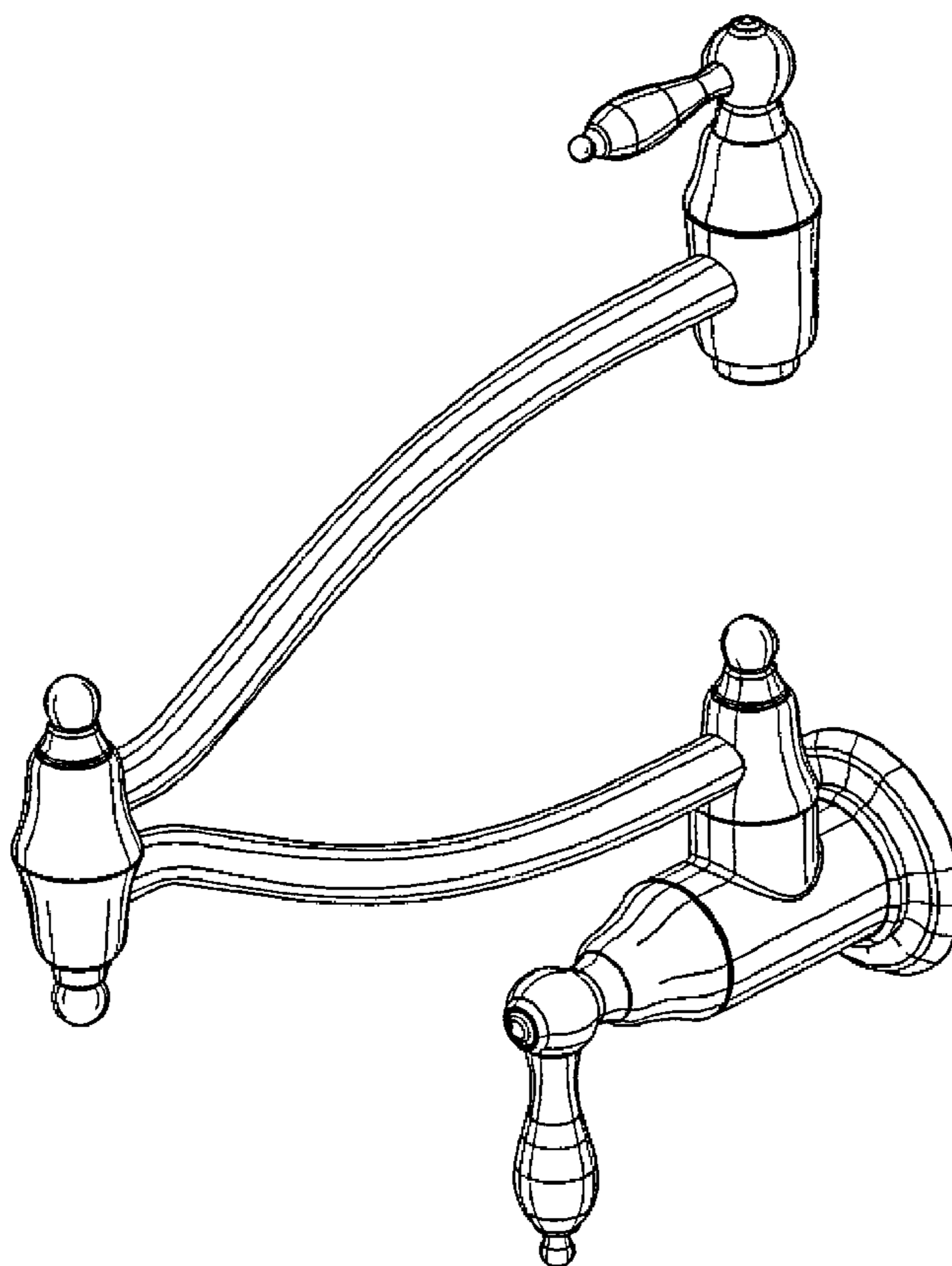
FIG. 4 is a left elevational view thereof;

FIG. 5 is a right side elevational view thereof;

FIG. 6 is a top plan elevational view thereof; and,

FIG. 7 is a bottom plan view thereof.

**1 Claim, 7 Drawing Sheets**



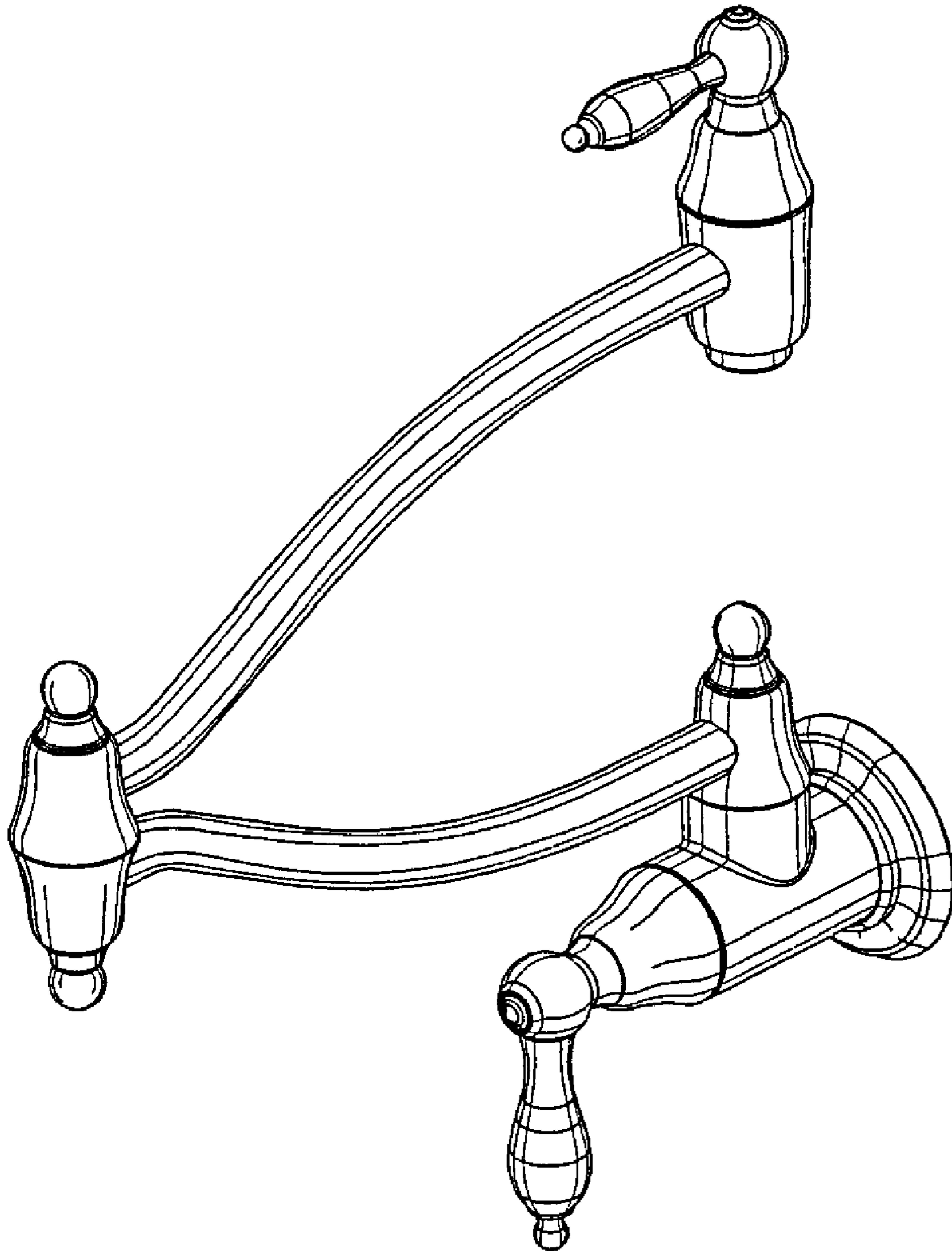


FIG. 1

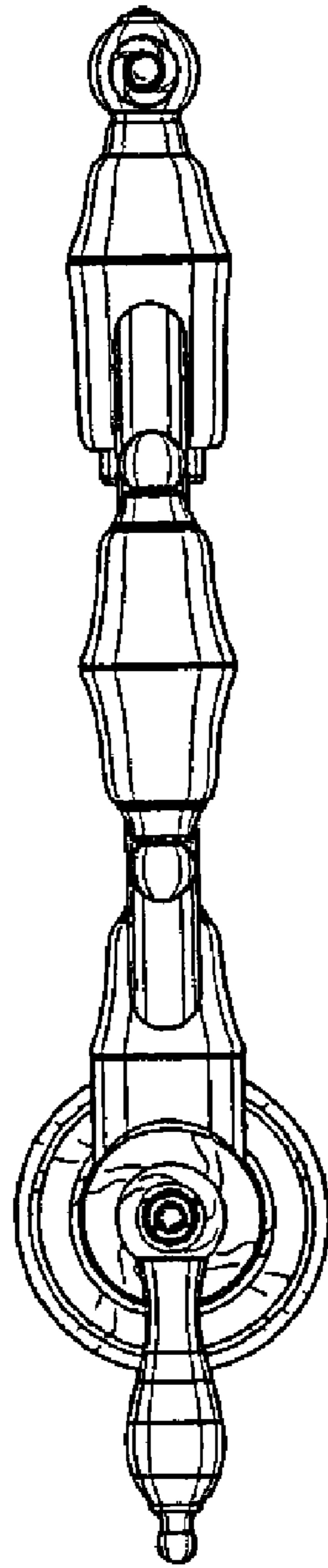


FIG. 2

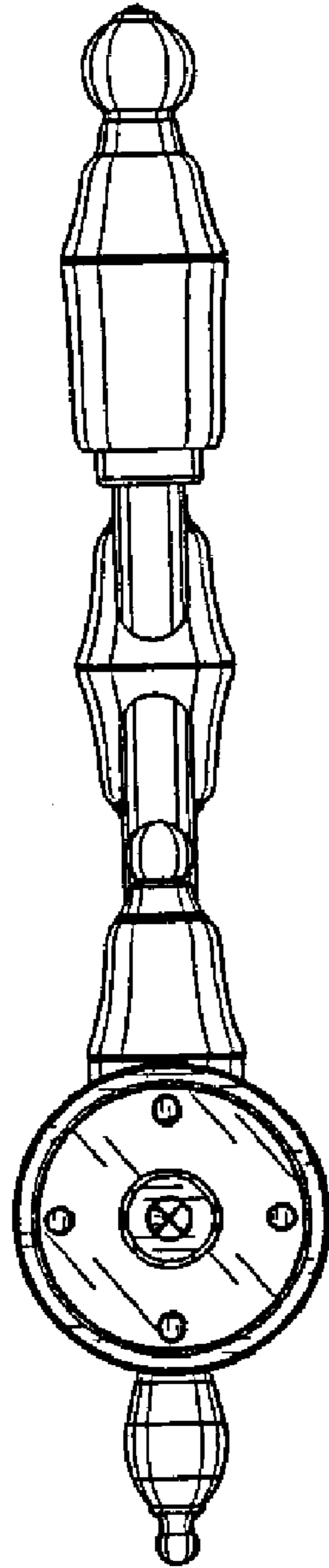


FIG. 3

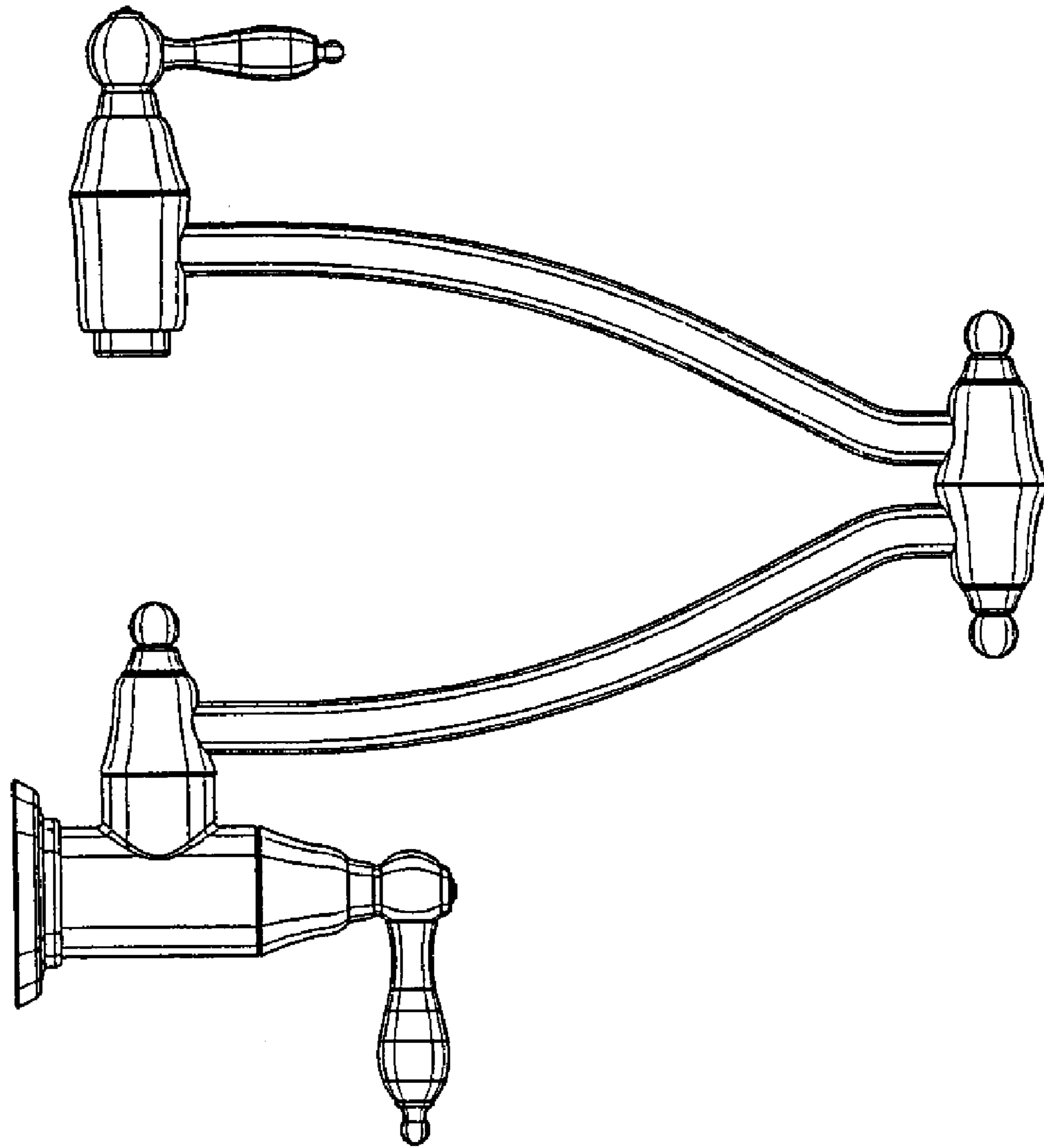


FIG. 4

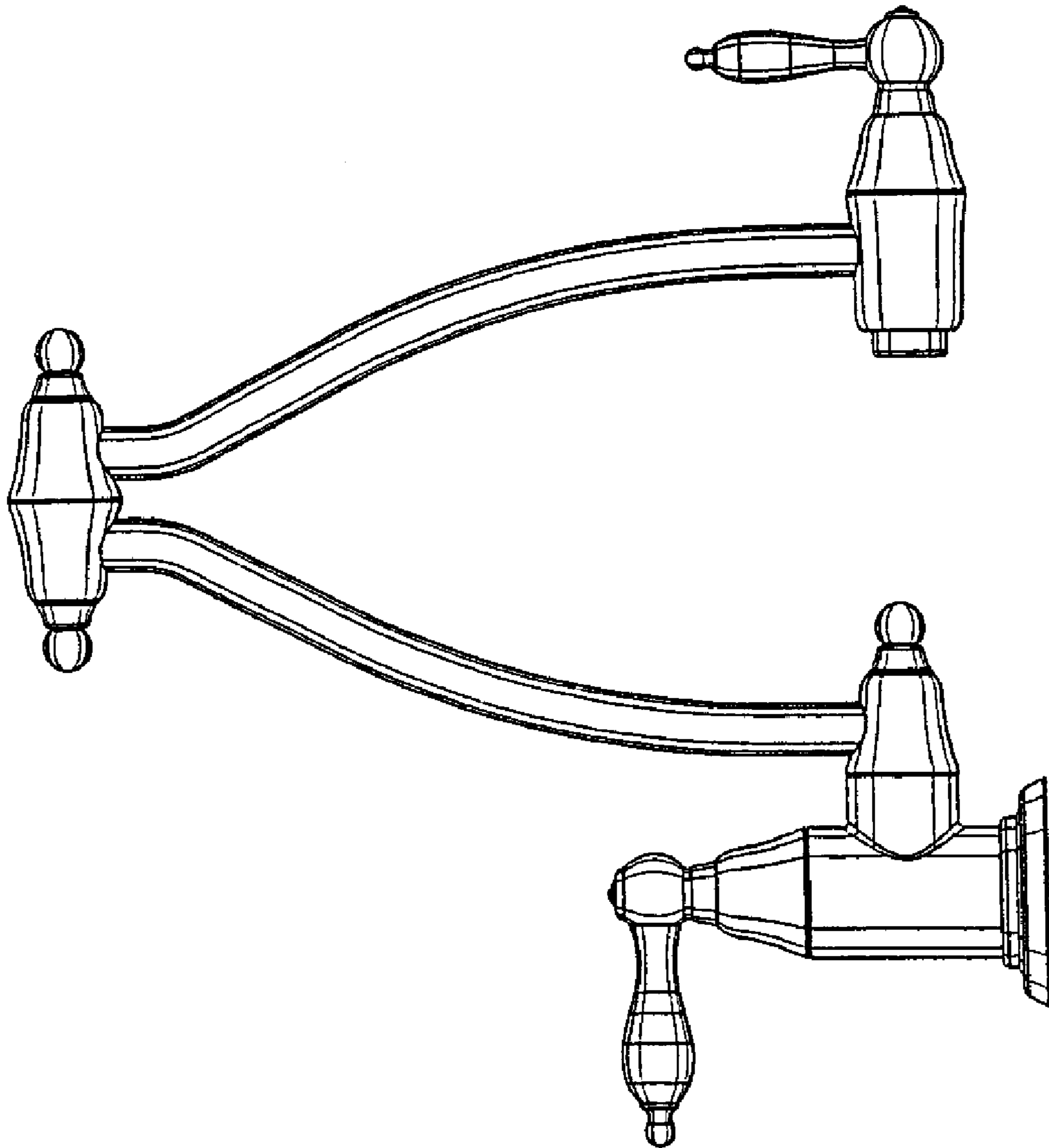


FIG. 5

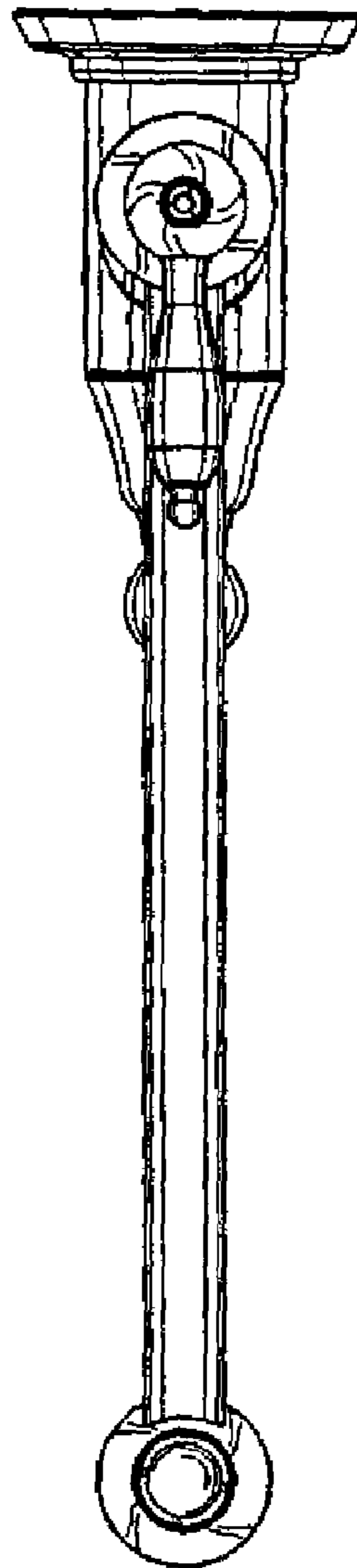


FIG. 6

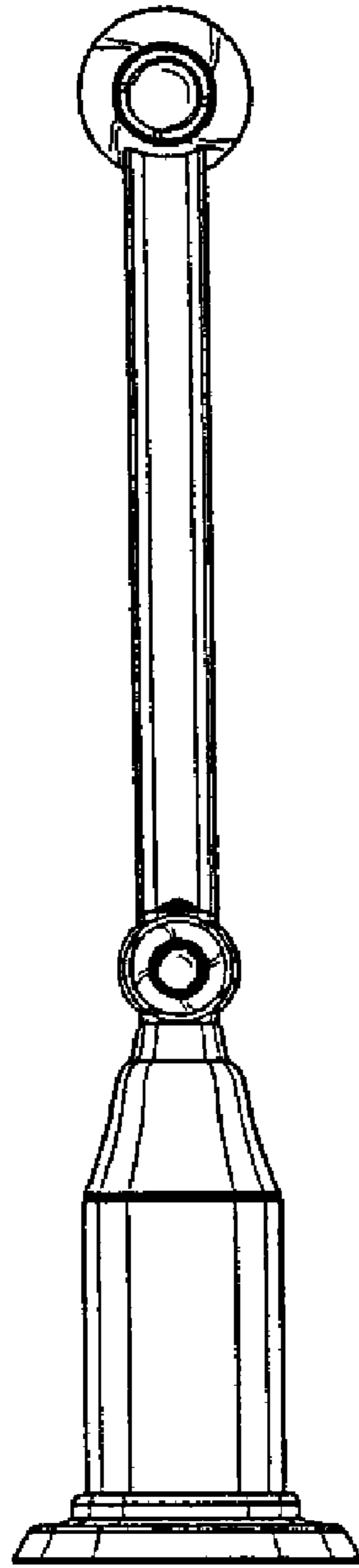


FIG. 7